

[54] **PRINTER WITH AUTOMATIC SHEET FEEDER**

[75] **Inventor: Thomas E. Pangburn, Charlotte, N.C.**

[73] **Assignee: International Business Machines Corporation, Armonk, N.Y.**

[**] **Term: 14 Years**

[21] **Appl. No.: 683,097**

[22] **Filed: Dec. 18, 1984**

[52] **U.S. Cl. D14/111**

[58] **Field of Search D14/100, 107, 111, 114; D18/13, 22, 23; 400/685, 690.1, 691, 693, 578, 584, 613, 613.2, 616, 624**

[56] **References Cited**

U.S. PATENT DOCUMENTS

D. 266,849 11/1982 Meister, Jr. et al. D14/111

OTHER PUBLICATIONS

Royal Business Machines Flyer, p. 1, Printer with Automatic Sheet Feeder.

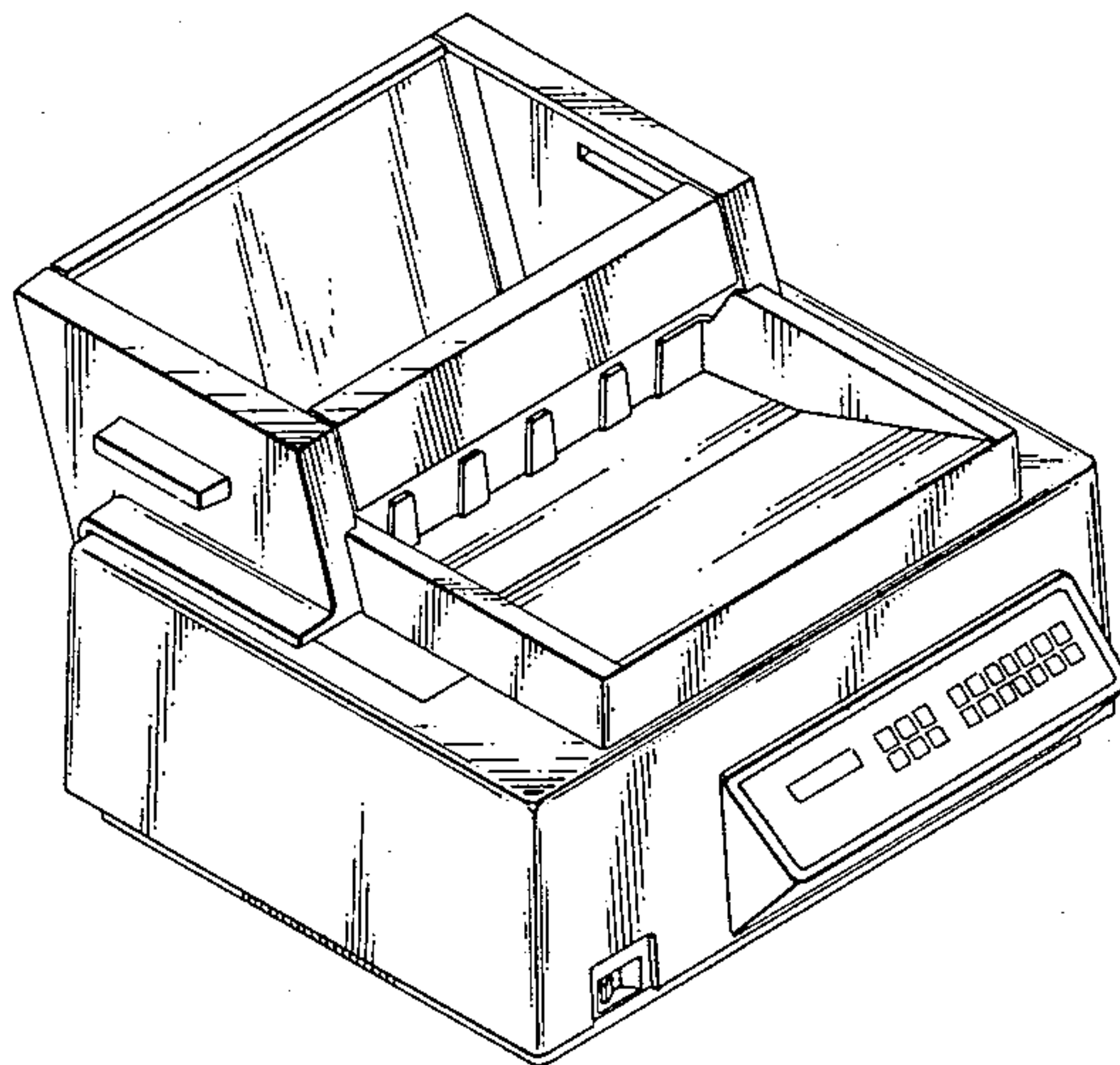
Primary Examiner—Susan J. Lucas
Attorney, Agent, or Firm—E. Ronald Coffman

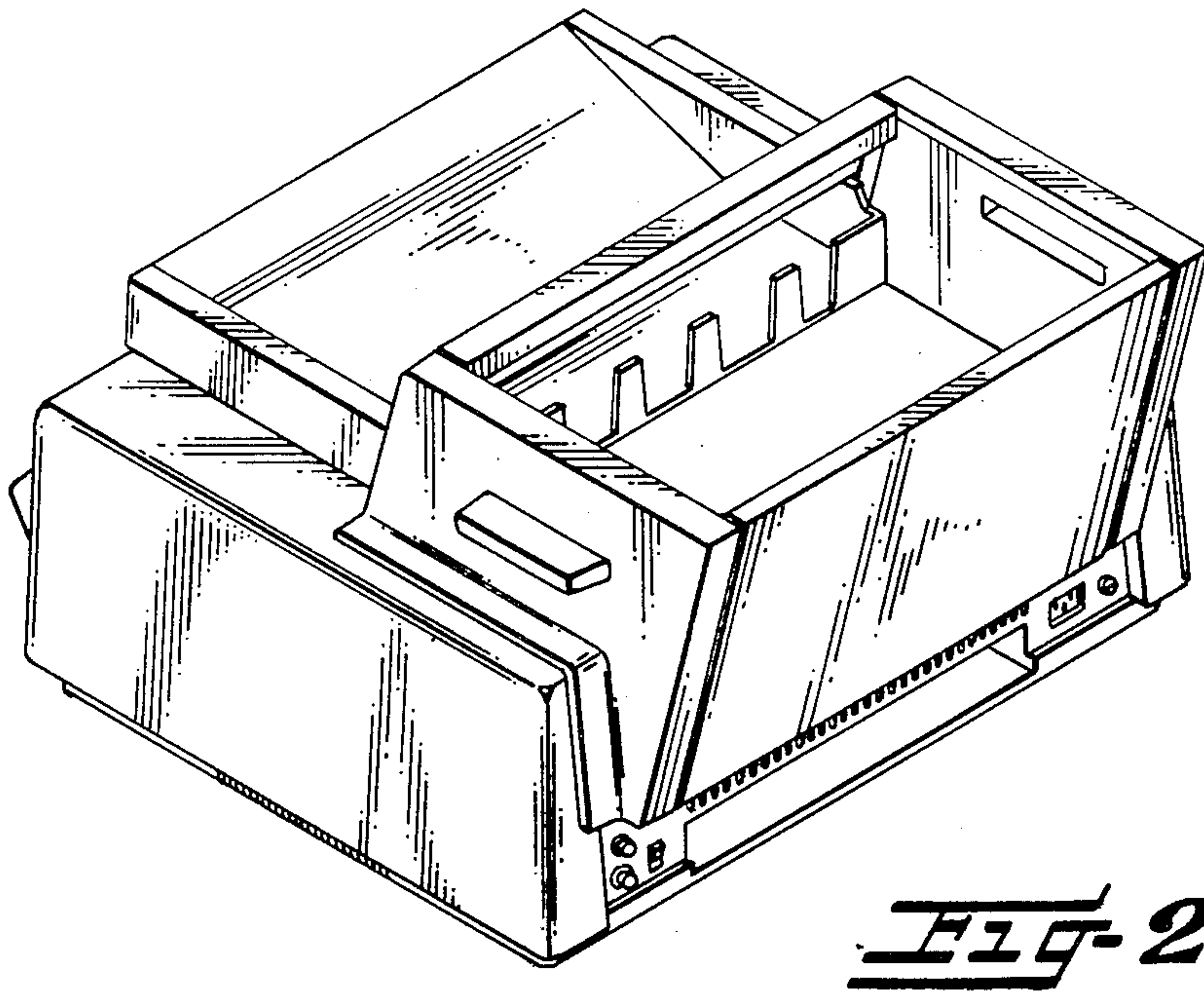
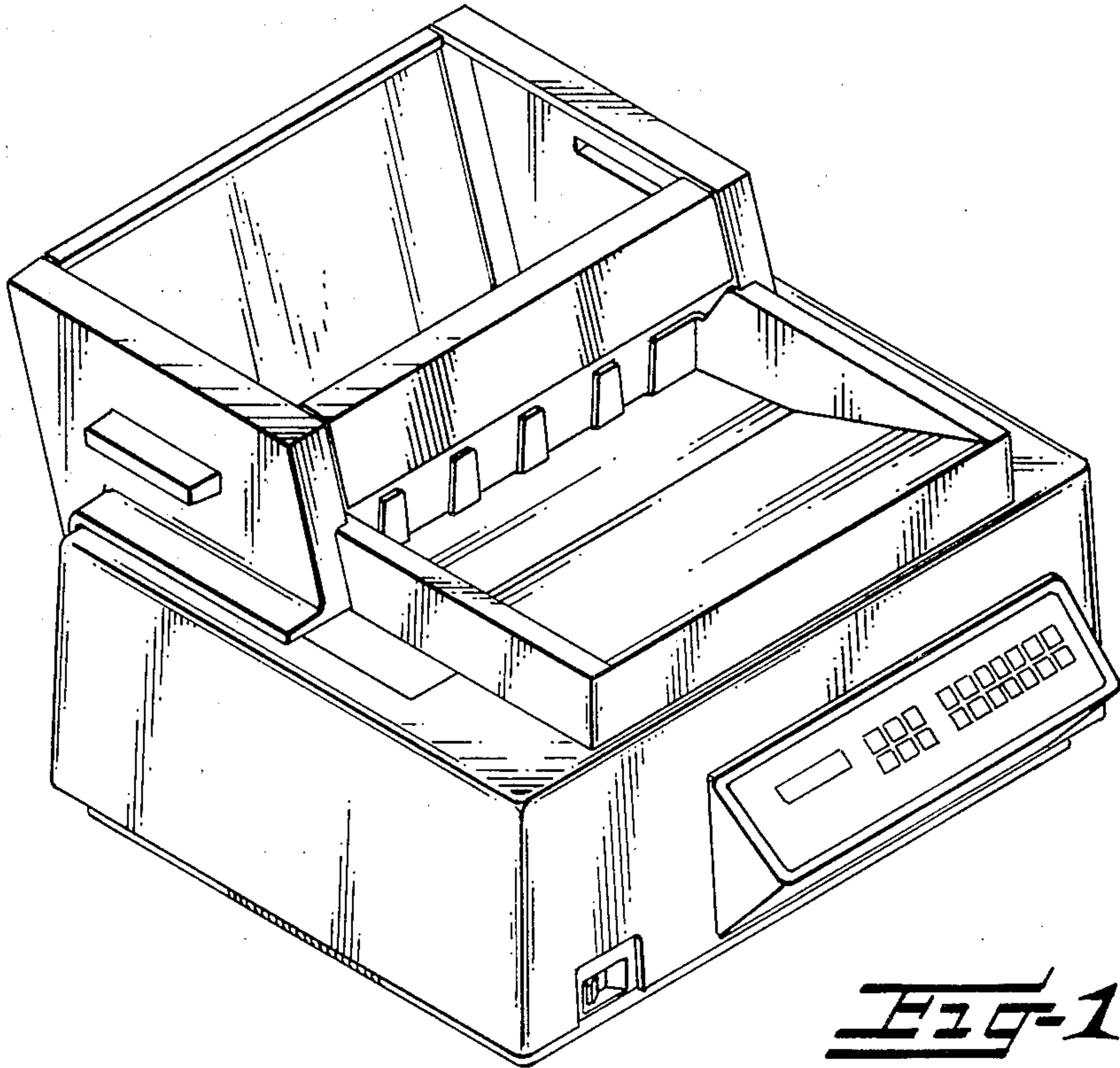
[57] **CLAIM**

The ornamental design for a printer with automatic sheet feeder, substantially as shown and described.

DESCRIPTION

FIG. 1 is a front, left perspective view of the printer with automatic sheet feeder showing our new design; FIG. 2 is a right rear perspective view thereof; FIG. 3 is a top plan view thereof on an enlarged scale; FIG. 4 is a front elevational view thereof on an enlarged scale; FIG. 5 is a rear elevational view thereof on an enlarged scale; FIG. 6 is a right side elevational view thereof on an enlarged scale; FIG. 7 is a left side elevational view thereof on an enlarged scale; The bottom of the printer is unornamented.





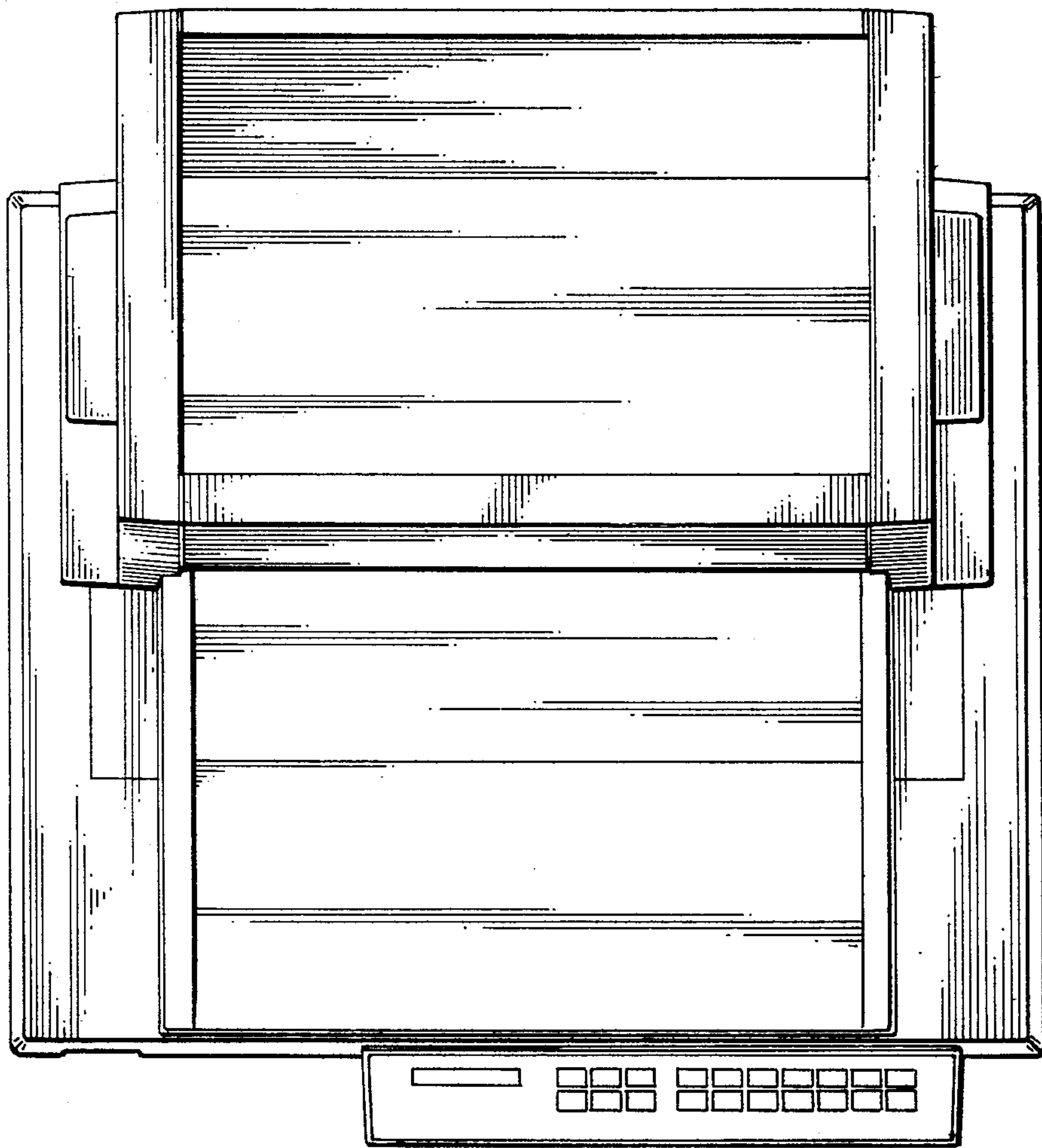


Fig-3

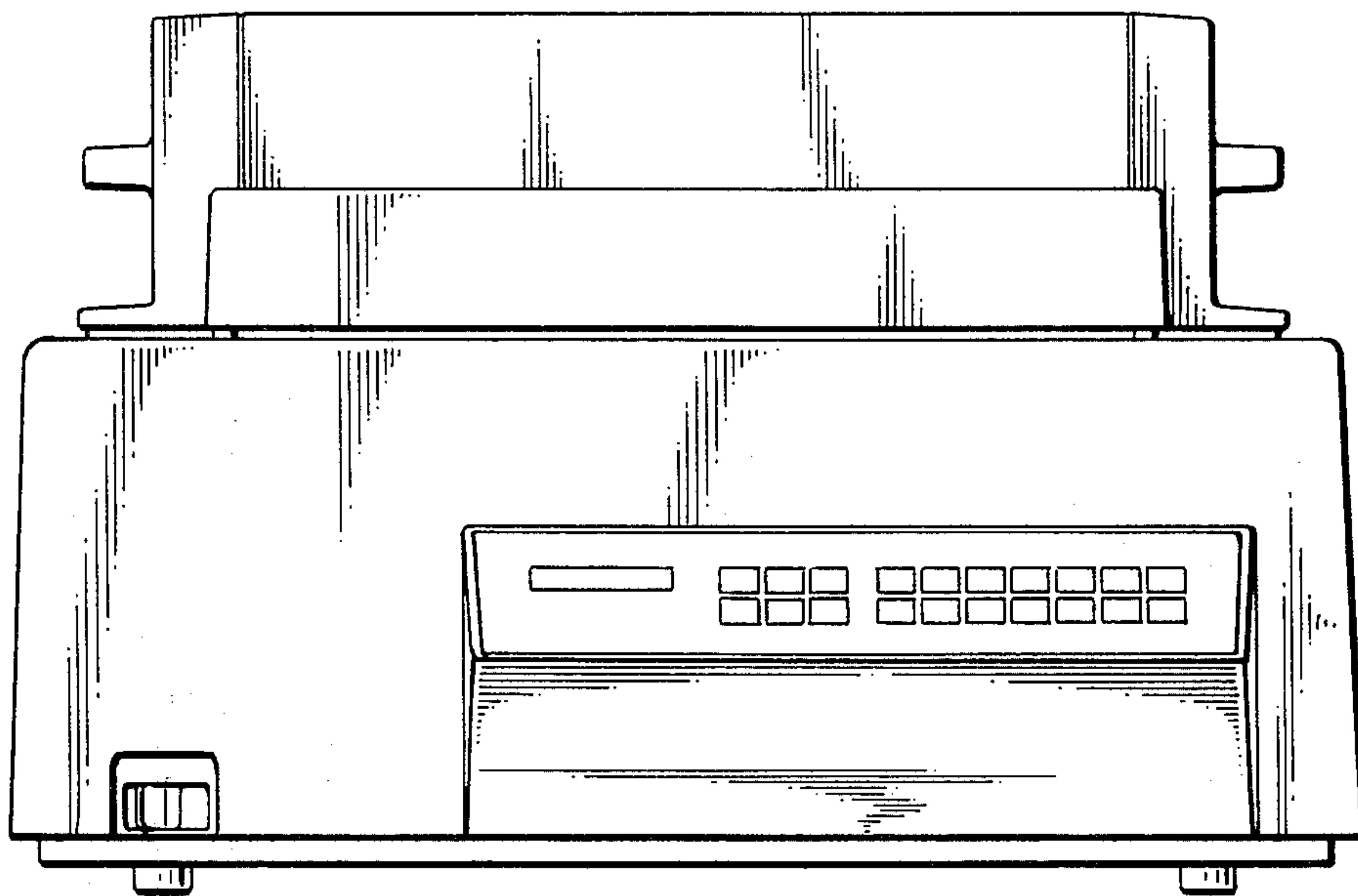


Fig-4

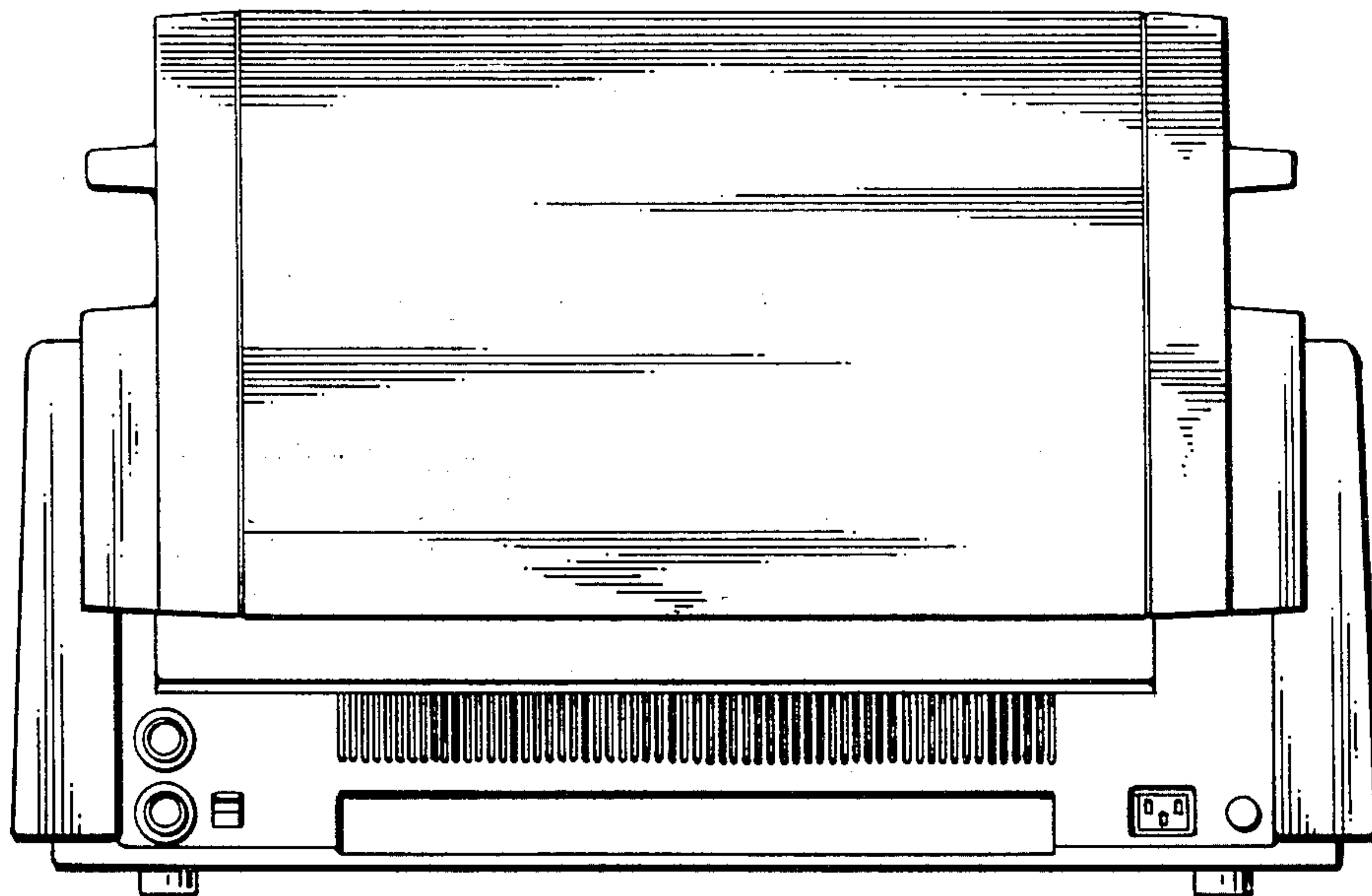


Fig-5

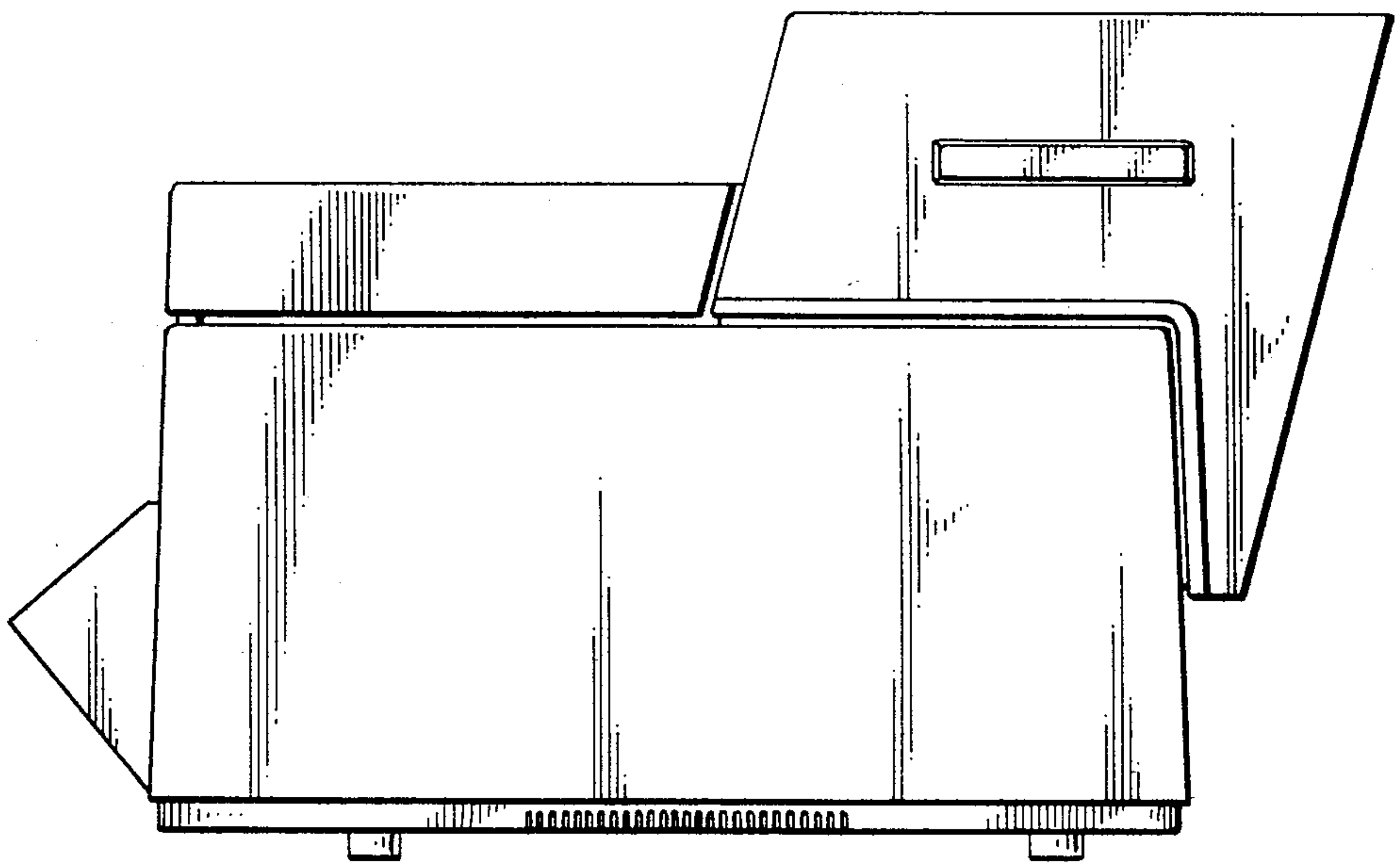


Fig-6

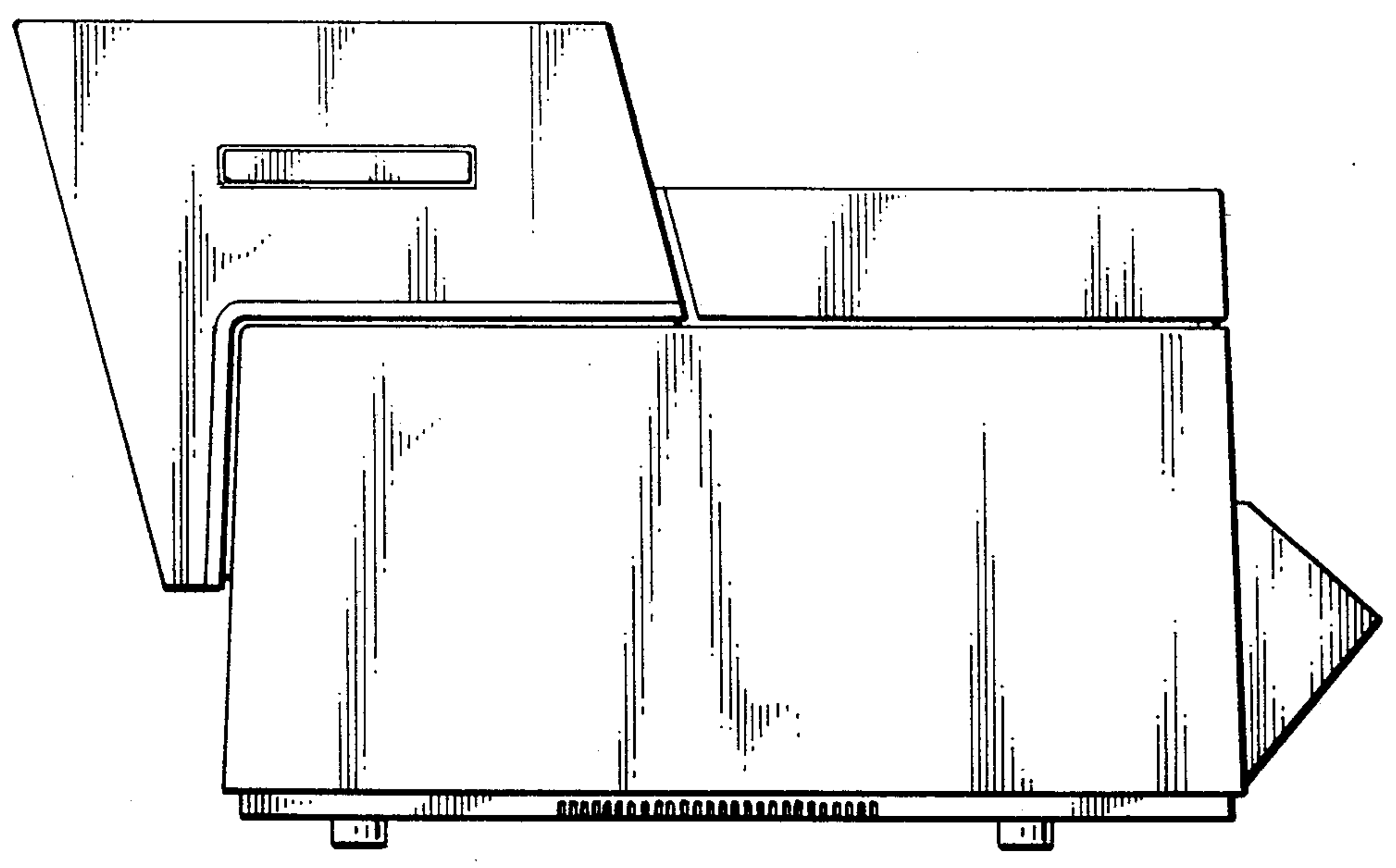


Fig-7