

[54] DISC DRIVE ASSEMBLY

[75] Inventors: Masafumi Itoh, Tokyo; Sigeru Hasegawa, Kodaira; Haruki Takita, Hachiohji; Kouji Suzuki, Tokorozawa, all of Japan

[73] Assignee: Teac Corporation, Tokyo, Japan

[**] Term: 14 Years

[21] Appl. No.: 598,810

[22] Filed: Apr. 10, 1984

[30] Foreign Application Priority Data

Oct. 15, 1983 [JP] Japan 58-44785

[52] U.S. Cl. D14/109

[58] Field of Search D14/100-116; 360/97, 98, 99, 133

[56] References Cited

U.S. PATENT DOCUMENTS

D. 264,340 5/1982 Iftikar et al. D14/109

OTHER PUBLICATIONS

Computer Design, 6-1980, p. 173, Fujitsu Oem Winchester Disk Drive (center).
Computer Design, 1-1983, p. 91, Seagate Technology, Winchester Disk Drive (left).

Primary Examiner—Susan J. Lucas
Attorney, Agent, or Firm—Ladas & Parry

[57] CLAIM

The ornamental design for a disc drive assembly, as shown.

DESCRIPTION

FIG. 1 is a top isometric view of an disc drive assembly embodying our design;
FIG. 2 is a top plan view thereof;
FIG. 3 is a front elevational view thereof;
FIG. 4 is a rear elevational view thereof;
FIG. 5 is a bottom plan view thereof;
FIG. 6 is a right end elevational view thereof; and
FIG. 7 is a left end elevational view thereof.

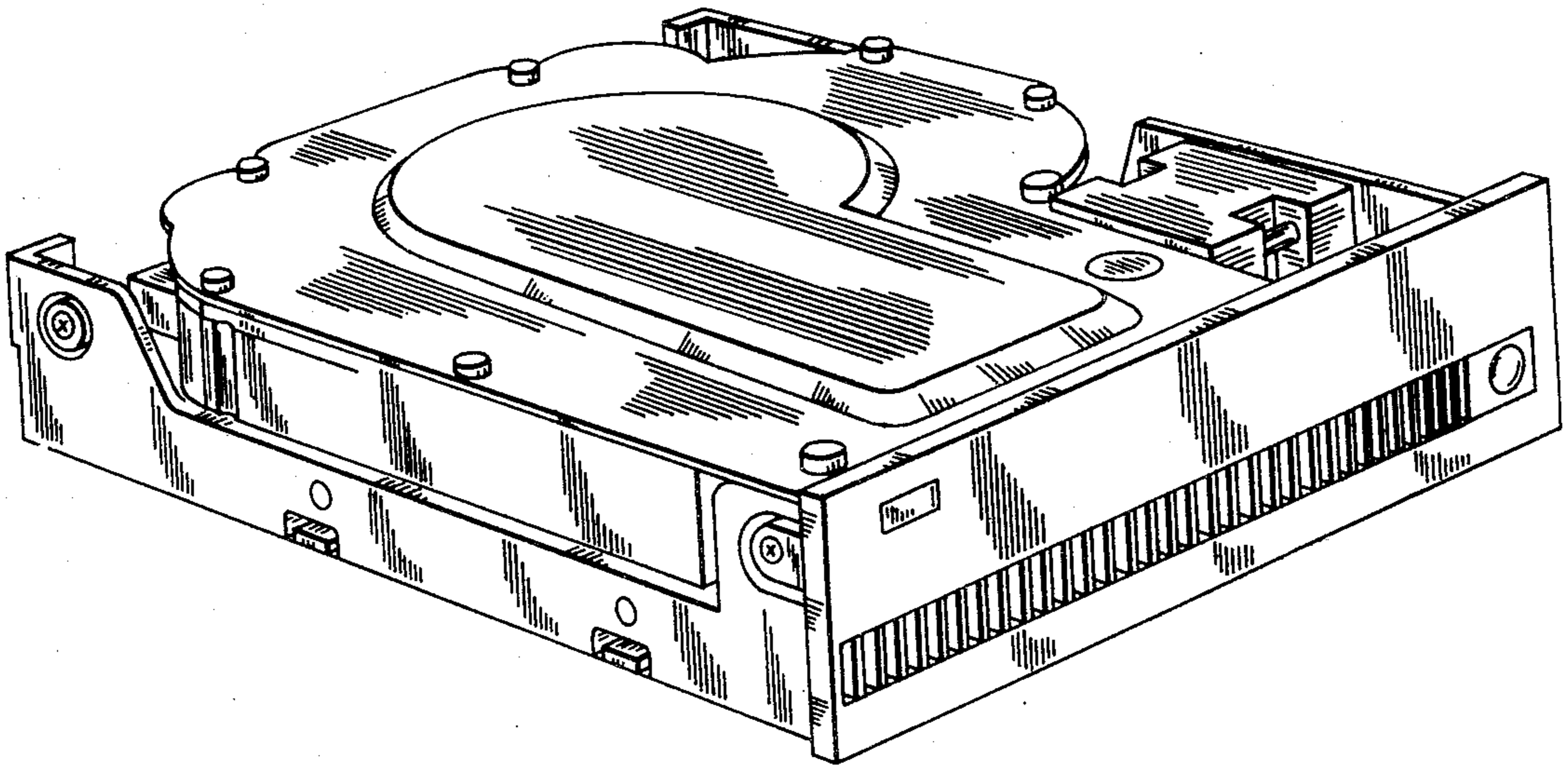


FIG. 1

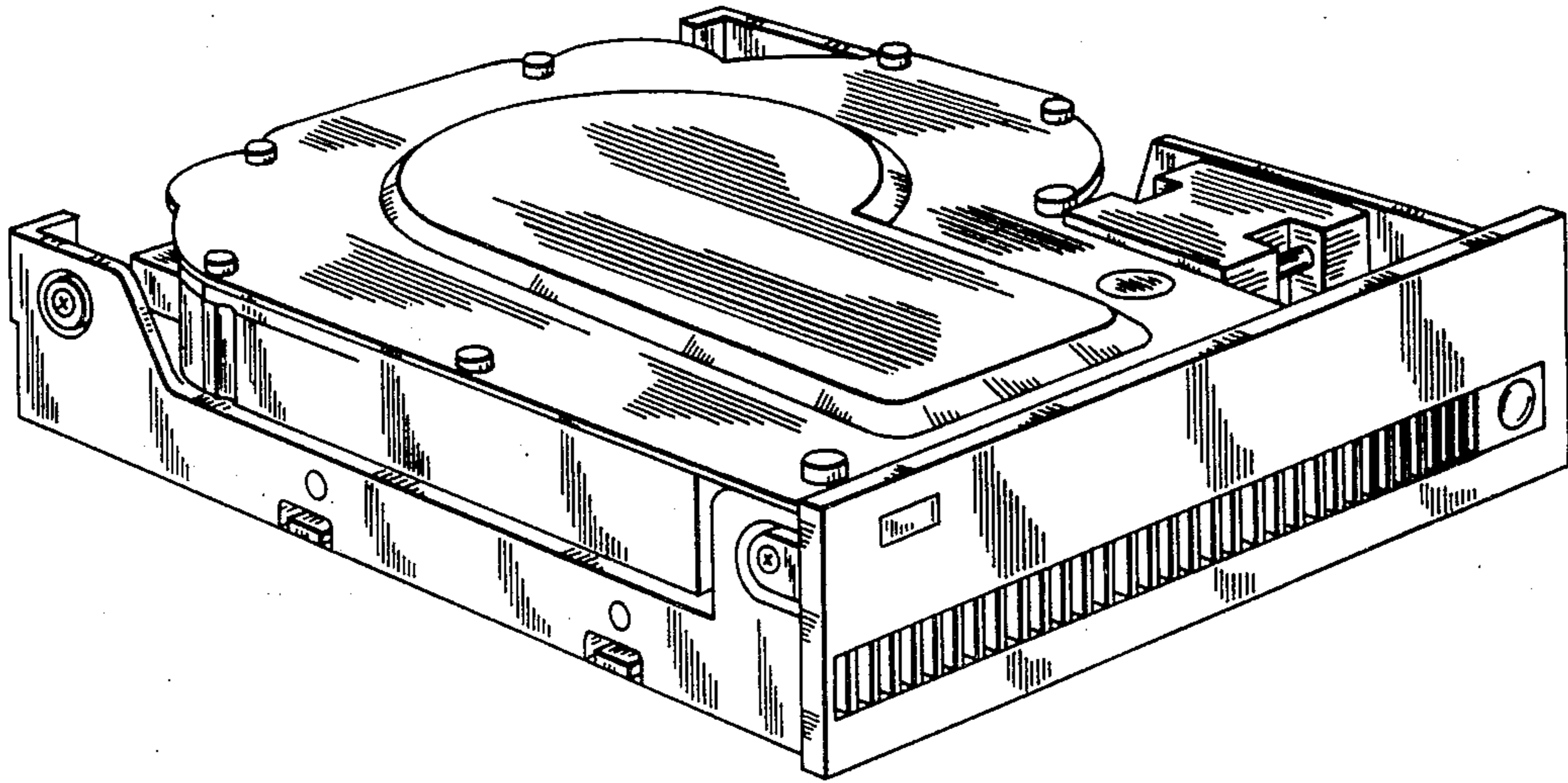


FIG. 3

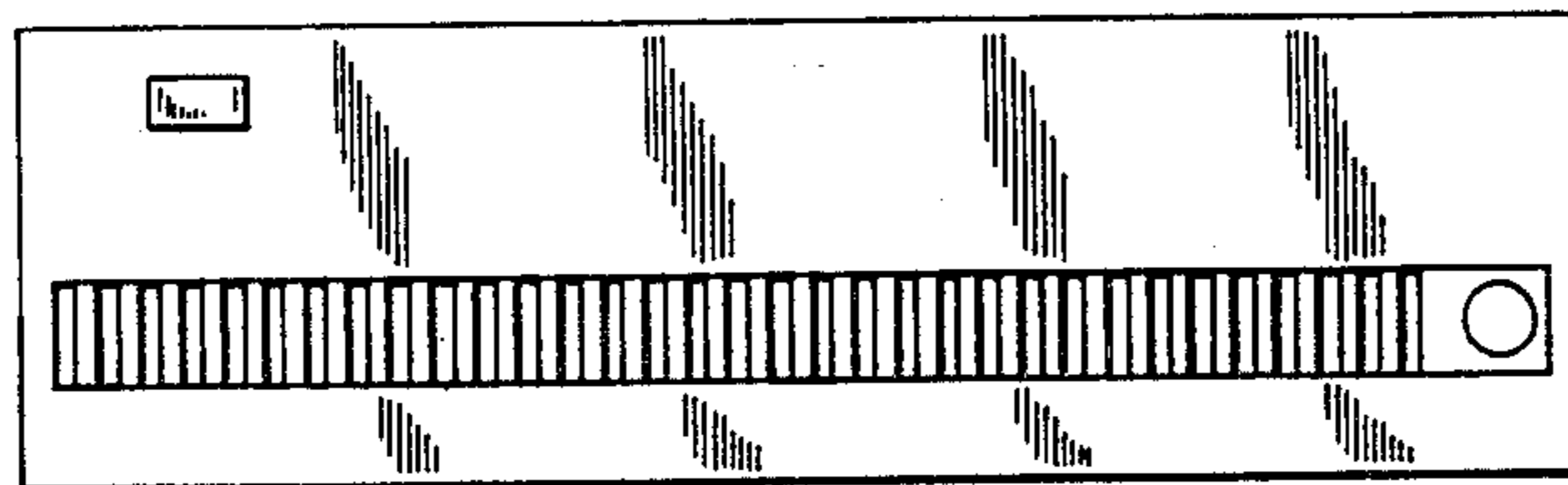


FIG. 2

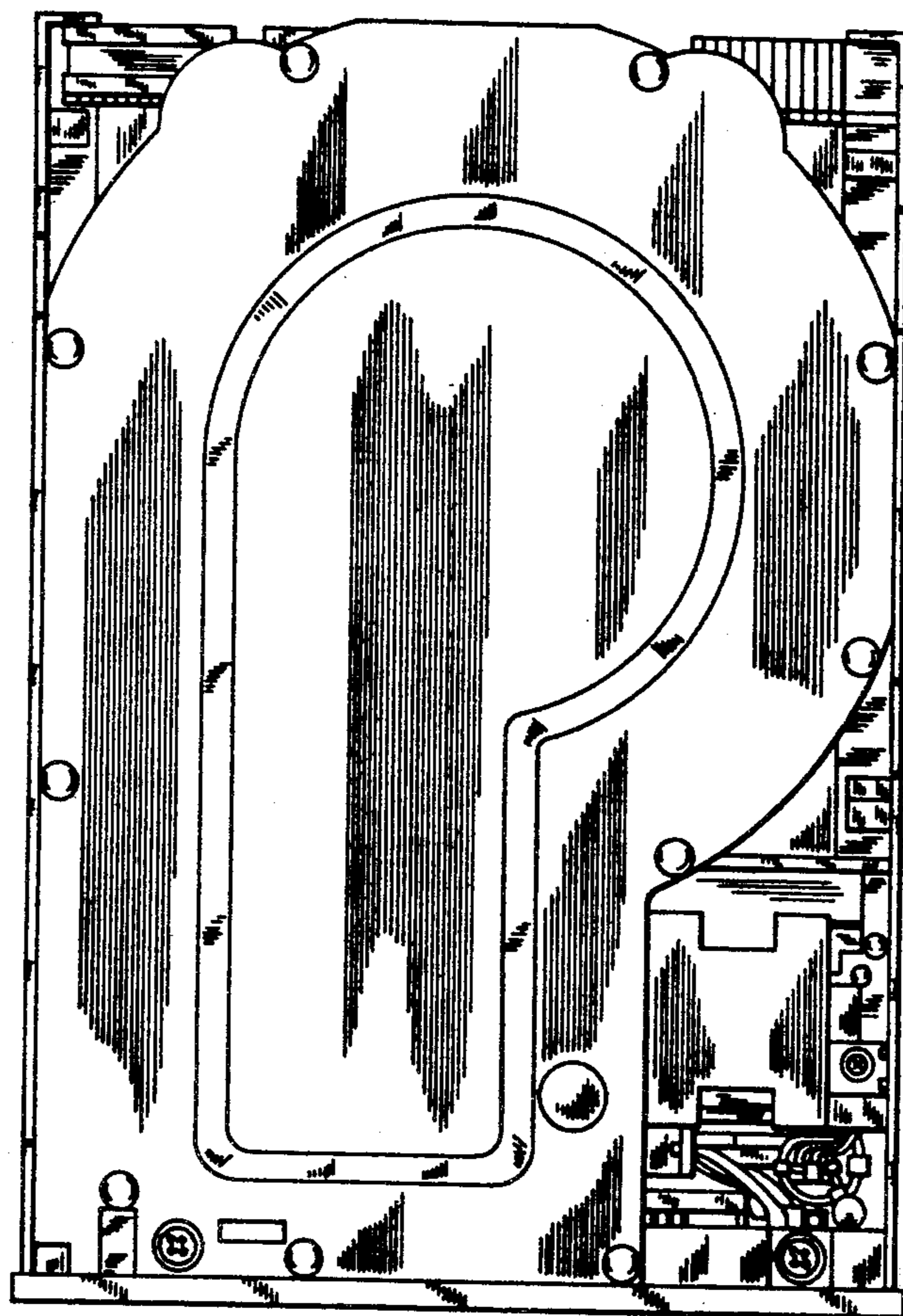


FIG. 4

