

[54] PRINTER

[75] Inventor: Hideji Takemasa, Tokyo, Japan

[73] Assignee: NEC Home Electronics, Osaka, Japan

[**] Term: 14 Years

[21] Appl. No.: 672,436

[22] Filed: Nov. 16, 1984

[30] Foreign Application Priority Data

Aug. 18, 1984 [JP] Japan 59-34679

[52] U.S. Cl. D14/111

[58] Field of Search D14/100, 107, 111, 114; D18/13, 22, 23; 400/690.1, 691, 693

[56] References Cited

U.S. PATENT DOCUMENTS

- D. 251,492 4/1979 Kneale et al. D14/111
- D. 283,133 3/1986 Nakade et al. D14/111

OTHER PUBLICATIONS

Byte, 9-1983, p. 121, Star Micronics Inc. Delta-10 Printer.

Byte, 6-1983, p. 185, Transtar 315 Color Printer.

Primary Examiner—Susan J. Lucas
Attorney, Agent, or Firm—Sughrue, Mion, Zinn, Macpeak & Seas

[57] CLAIM

The ornamental design for a printer, as shown.

DESCRIPTION

FIG. 1 is a front, top and right side perspective view of a printer showing my new design;
FIG. 2 is a front elevational view thereof;
FIG. 3 is a left side elevational view thereof;
FIG. 4 is a right side elevational view thereof;
FIG. 5 is a top plan view thereof;
FIG. 6 is a rear elevational view thereof; and
FIG. 7 is a bottom plan view thereof.

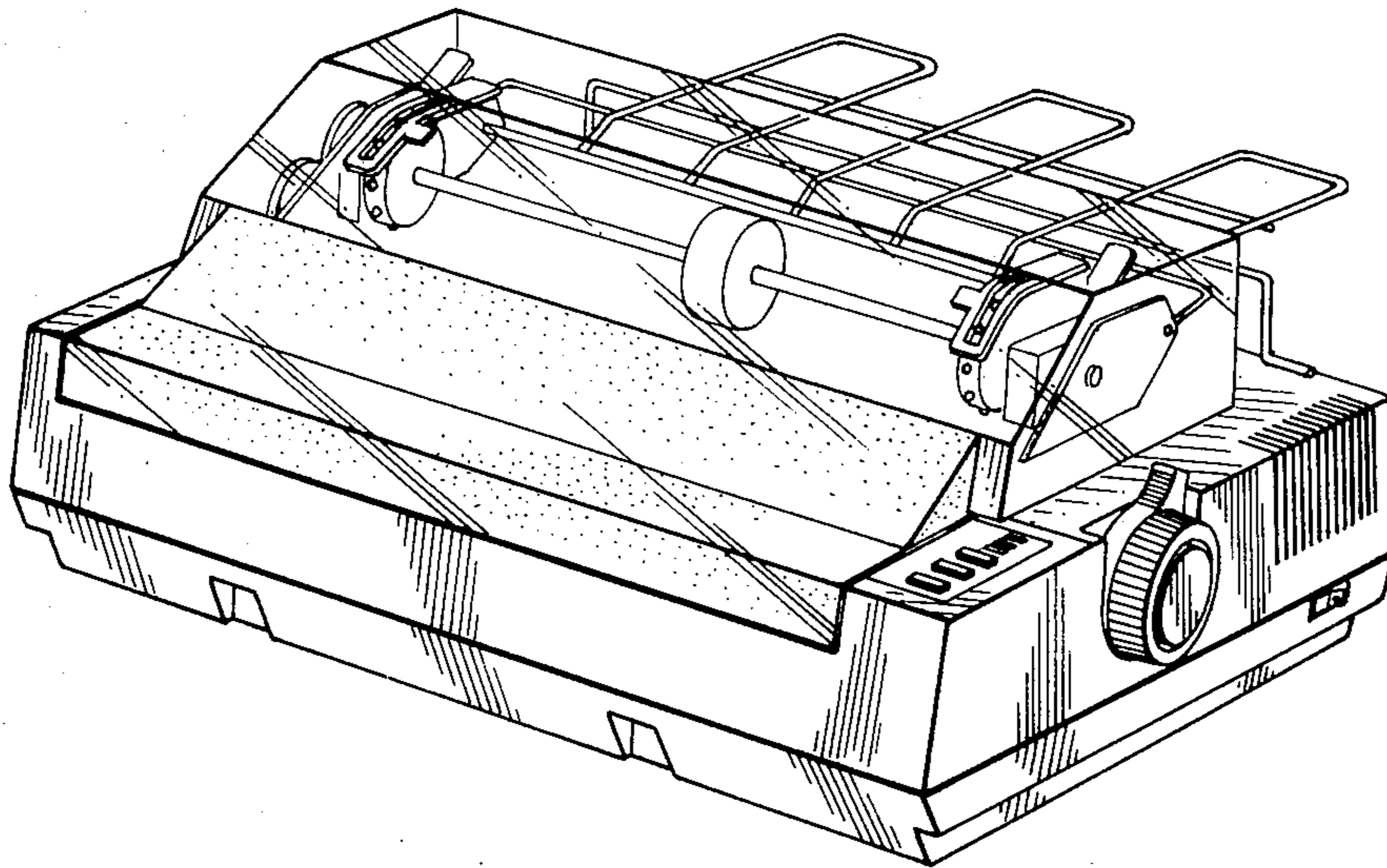


FIG. 1

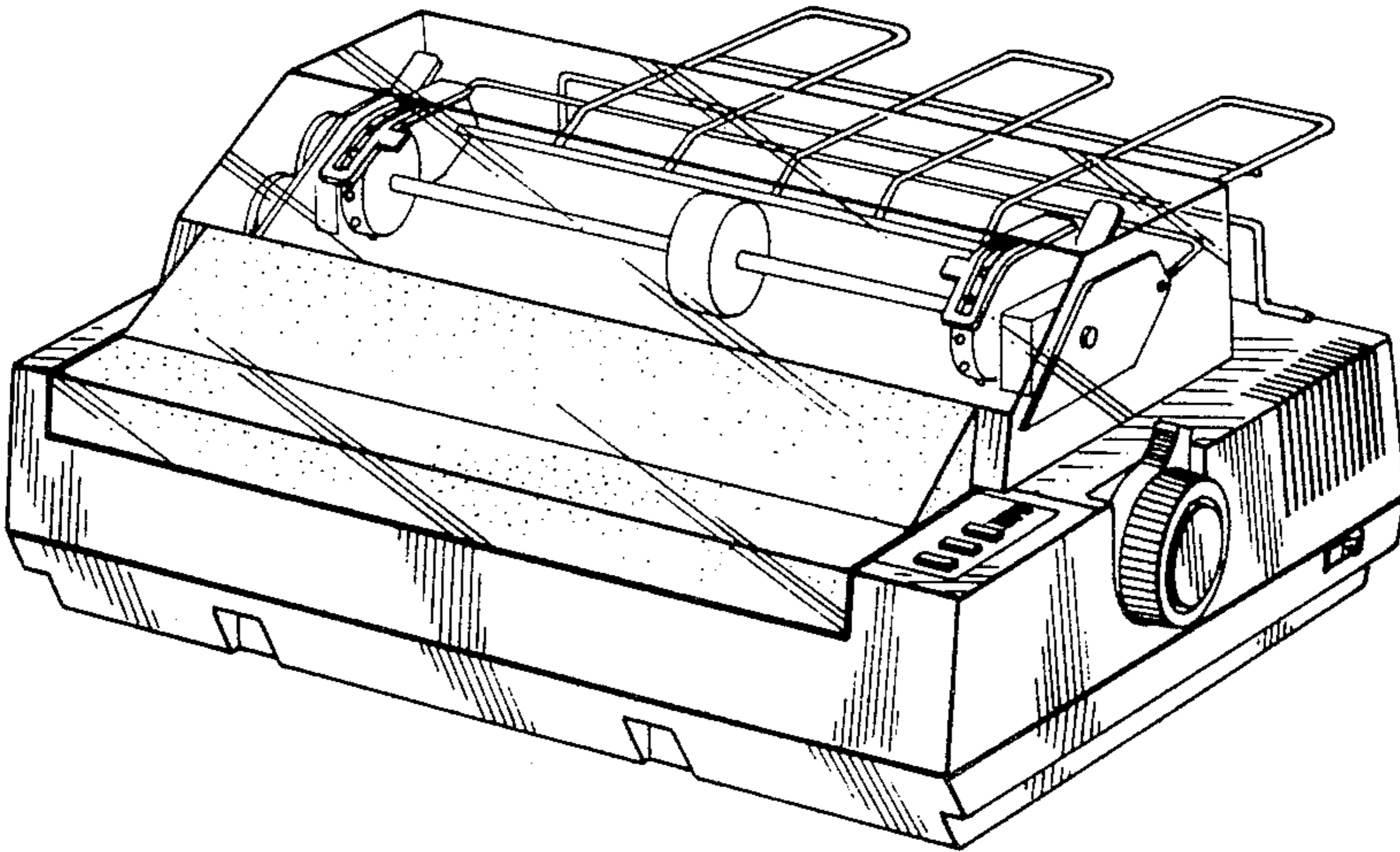


FIG. 2

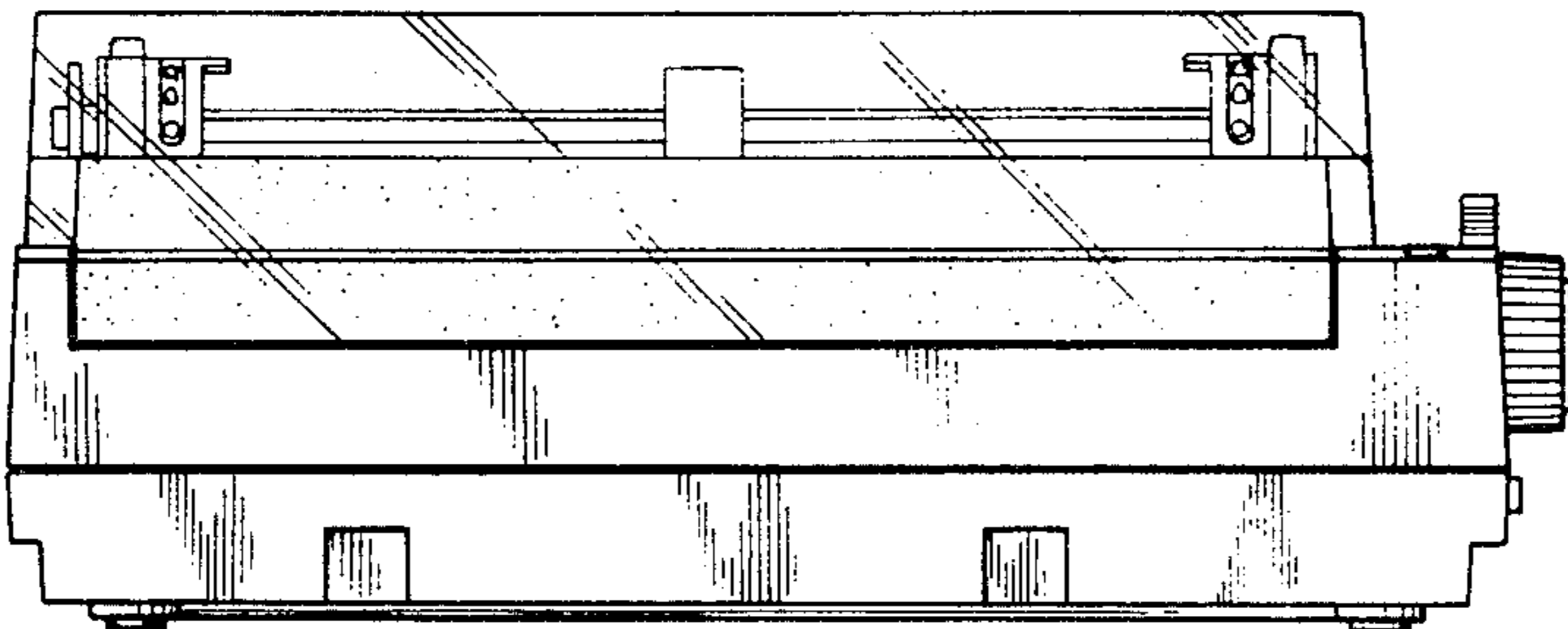


FIG. 3

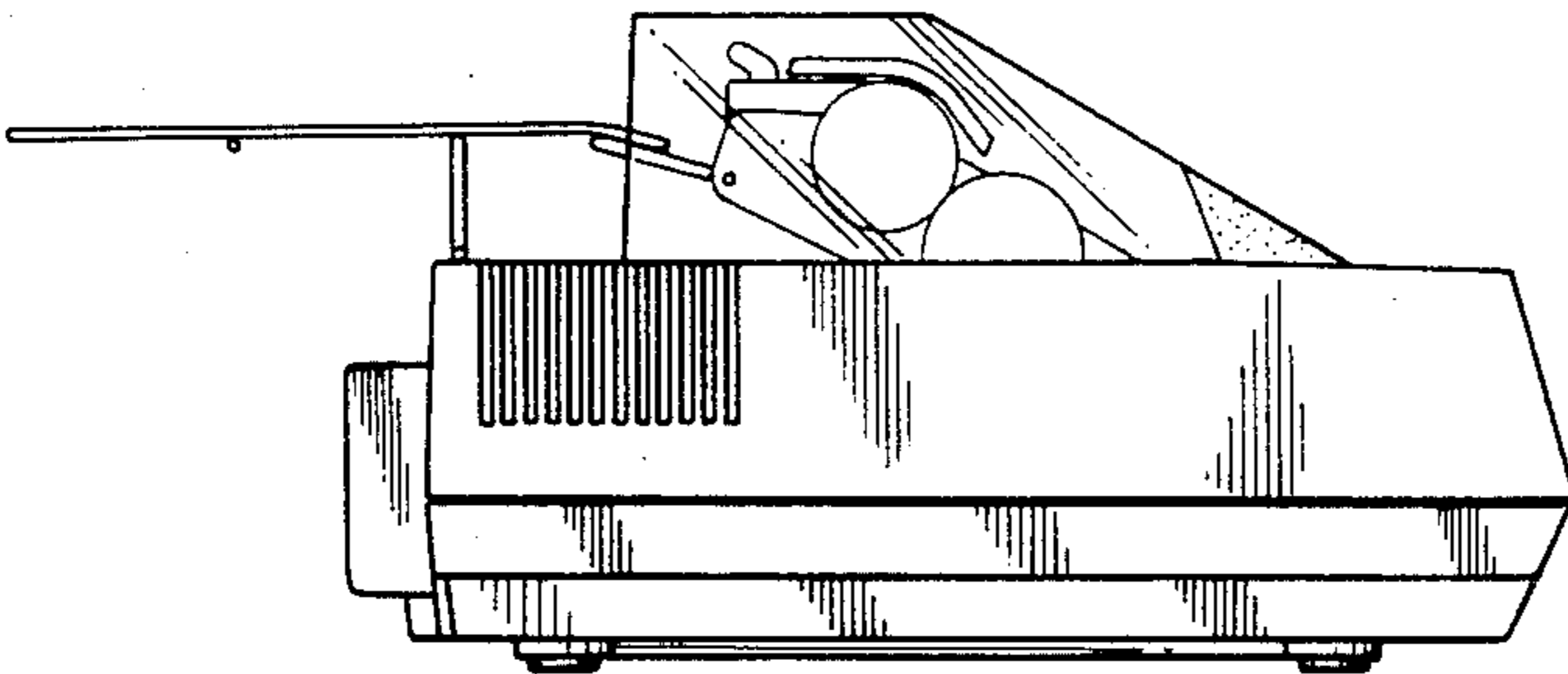


FIG. 4

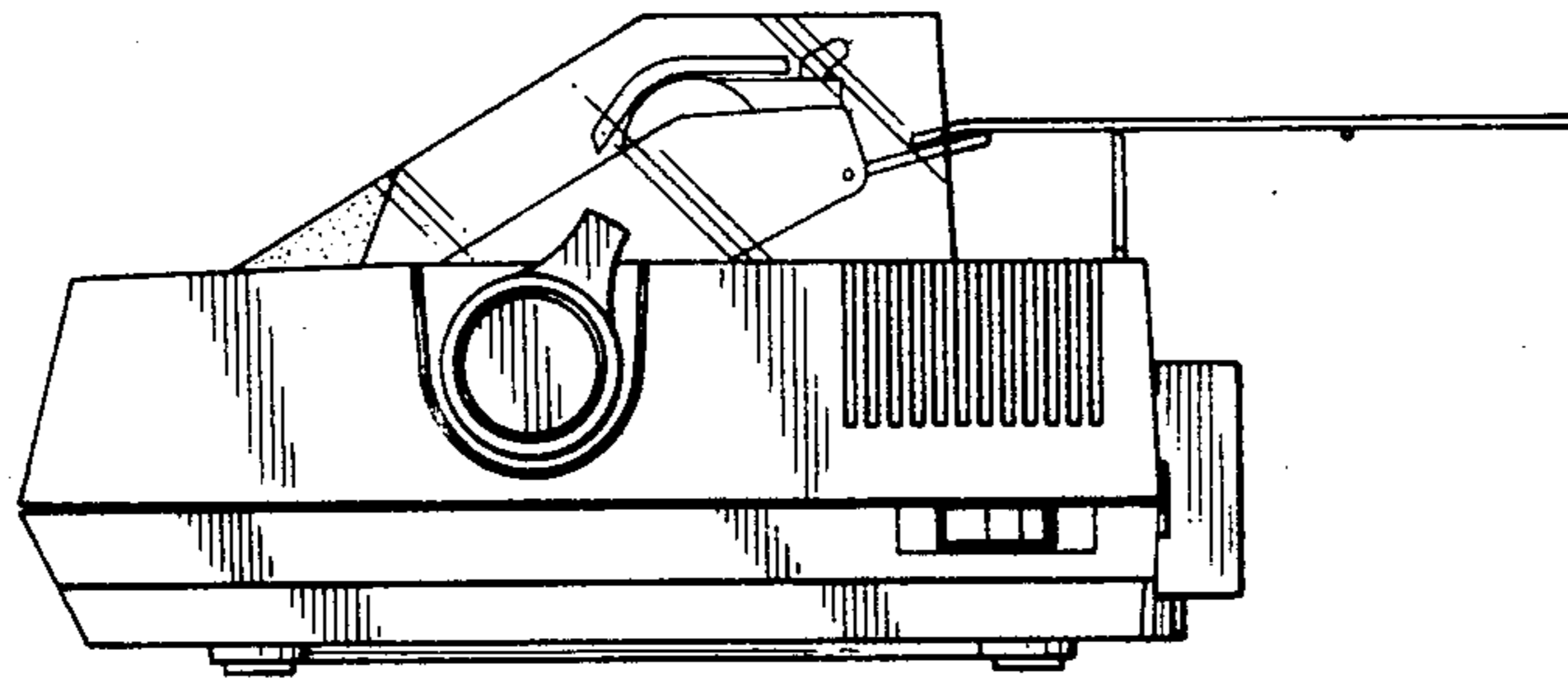


FIG. 5

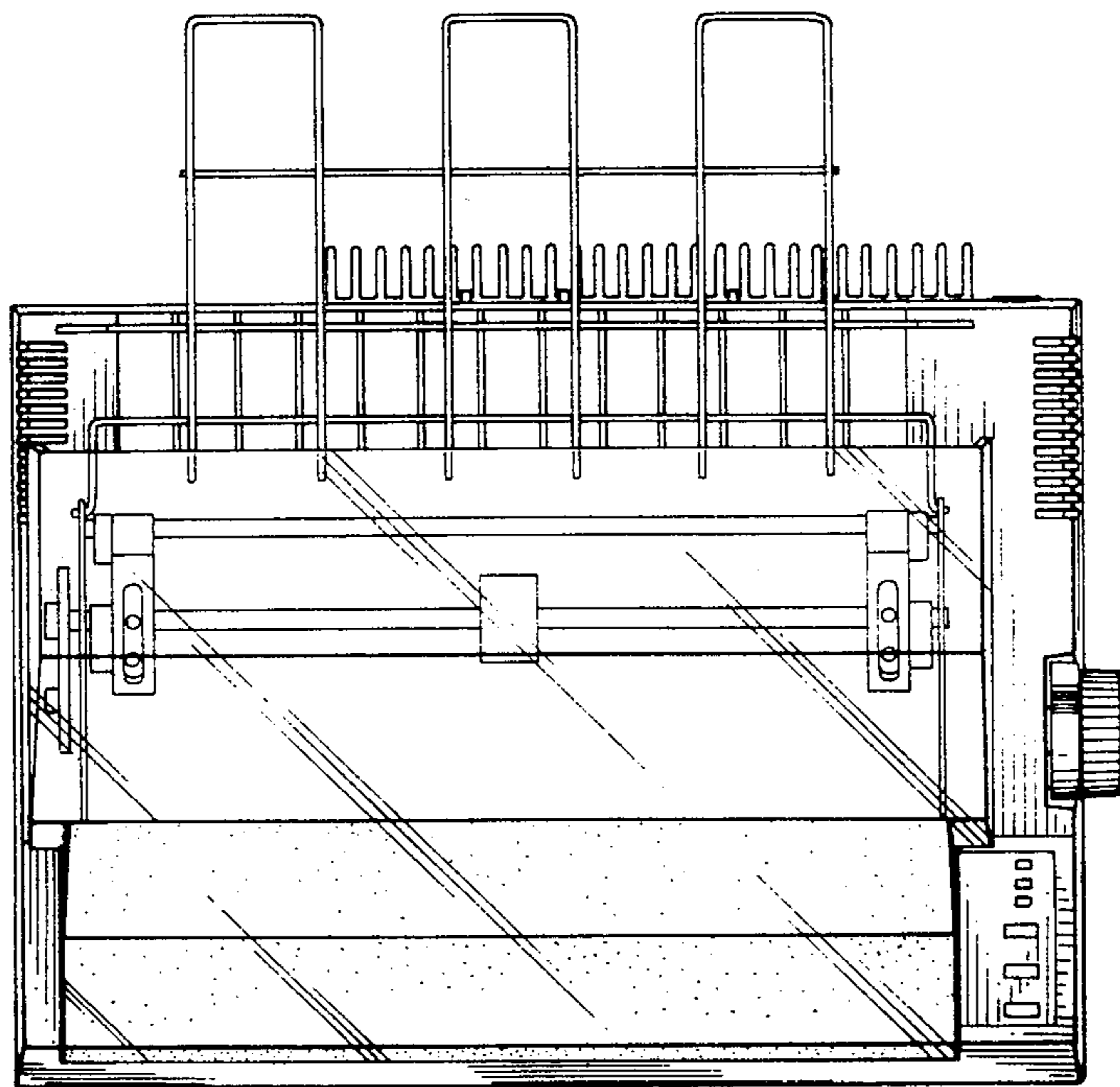


FIG. 6

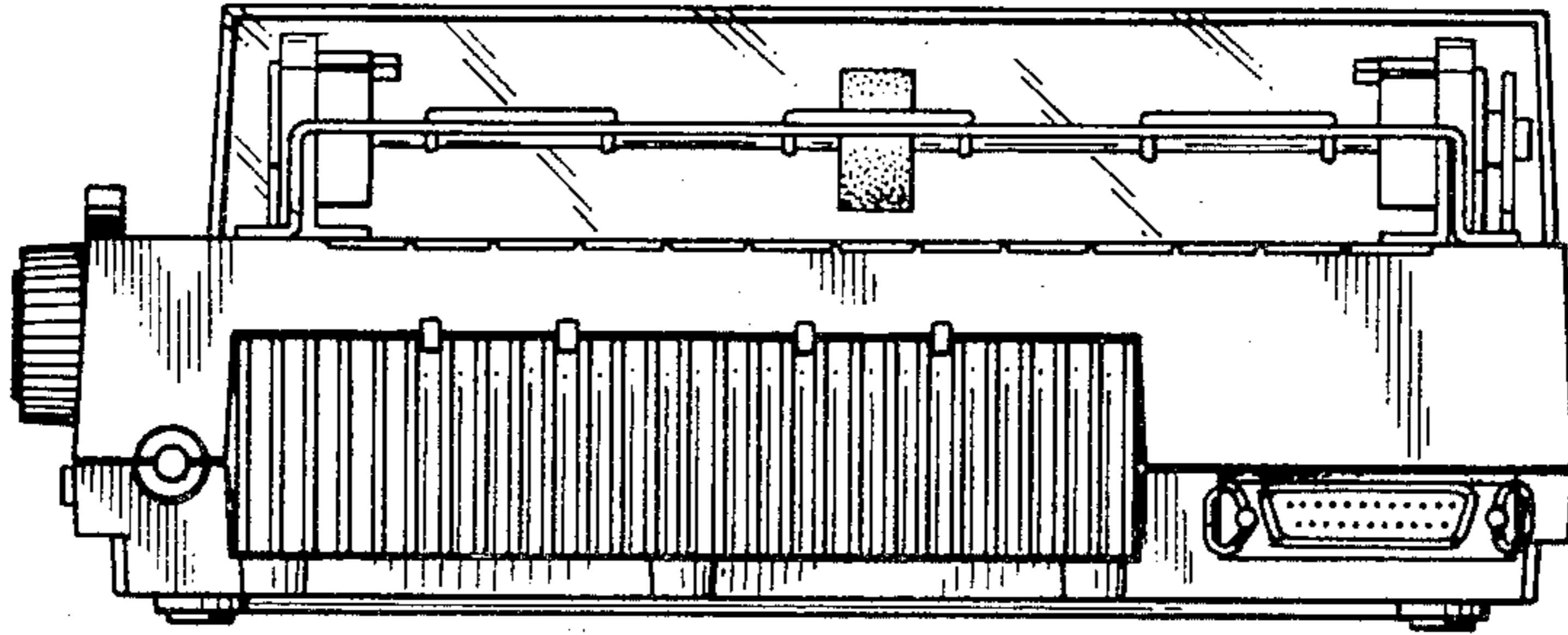


FIG. 7

