

[54] COMBINED ROTOR AND STATOR LAMINATION

[75] Inventor: Steven J. Iverson, Woodbury, Minn.

[73] Assignee: Onan Corporation, Minneapolis, Minn.

[**] Term: 14 Years

[21] Appl. No.: 528,597

[22] Filed: Sep. 1, 1983

[52] U.S. Cl. D13/1

[58] Field of Search D13/1, 32; 200/5 R, 200/5 A, 6 R, 6 A; 310/269

[56] References Cited

U.S. PATENT DOCUMENTS

1,808,572	6/1931	Reist	310/269
2,649,512	8/1953	Streuer et al.	300/6 R
2,872,605	2/1959	Moore et al.	310/269

2,883,482	4/1959	Huetten et al.	200/5 R
3,339,097	8/1967	Dunn	310/269
3,636,557	1/1972	Watkins	310/269
4,099,076	7/1978	Hucker	310/269
4,385,250	5/1983	Welburn	310/162

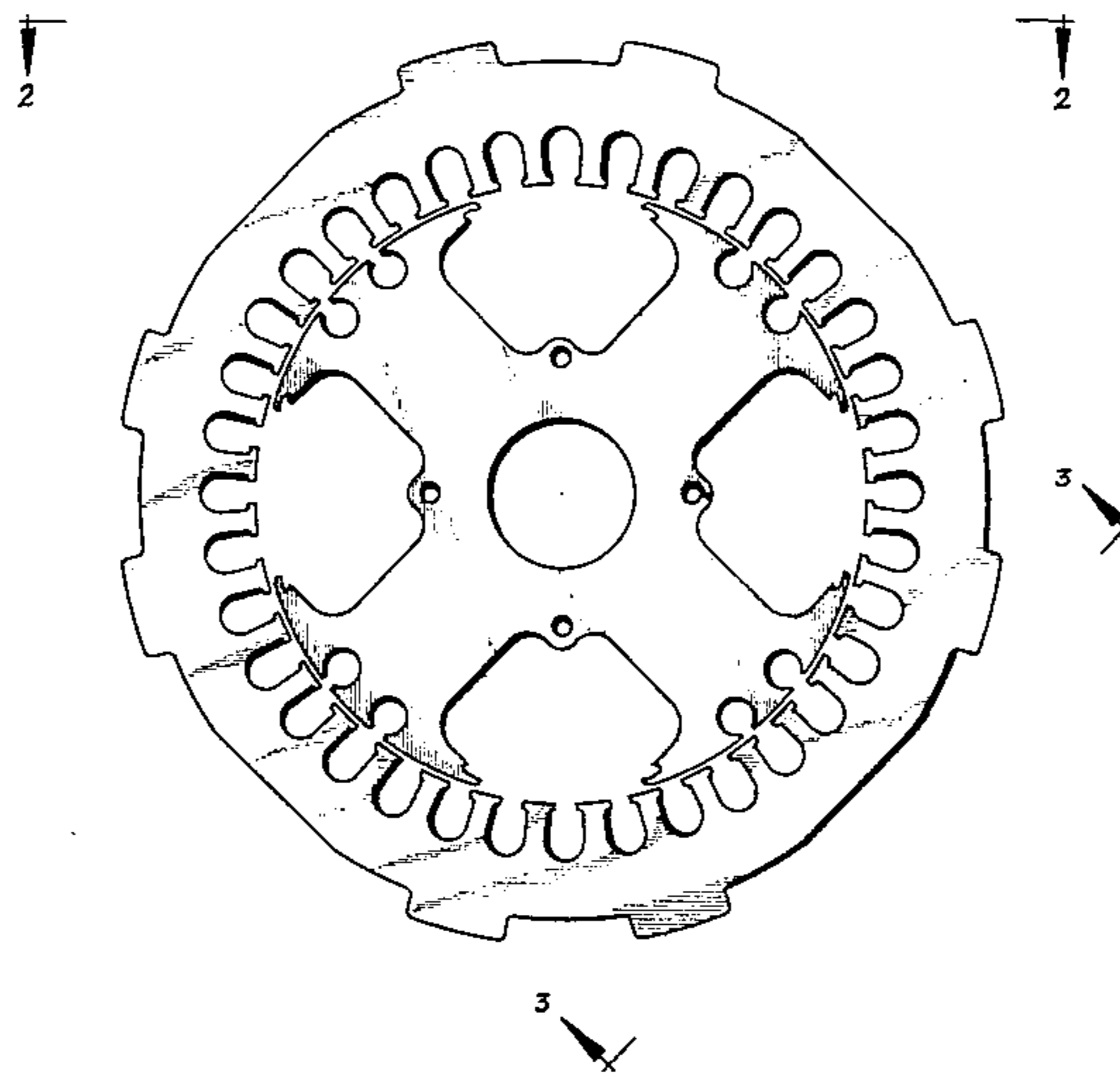
Primary Examiner—Catherine E. Kemper
Attorney, Agent, or Firm—Merchant, Gould, Smith, Welter & Schmidt

[57] CLAIM

The ornamental design for a combined rotor and stator lamination, as shown and described.

DESCRIPTION

FIG. 1 is a top plan view of a combined rotor and stator lamination, showing my new design;
FIG. 2 is an edge view taken in the direction of line 2—2 shown in FIG. 1;
FIG. 3 is an edge view taken in the direction of lines 3—3 of FIG. 1.



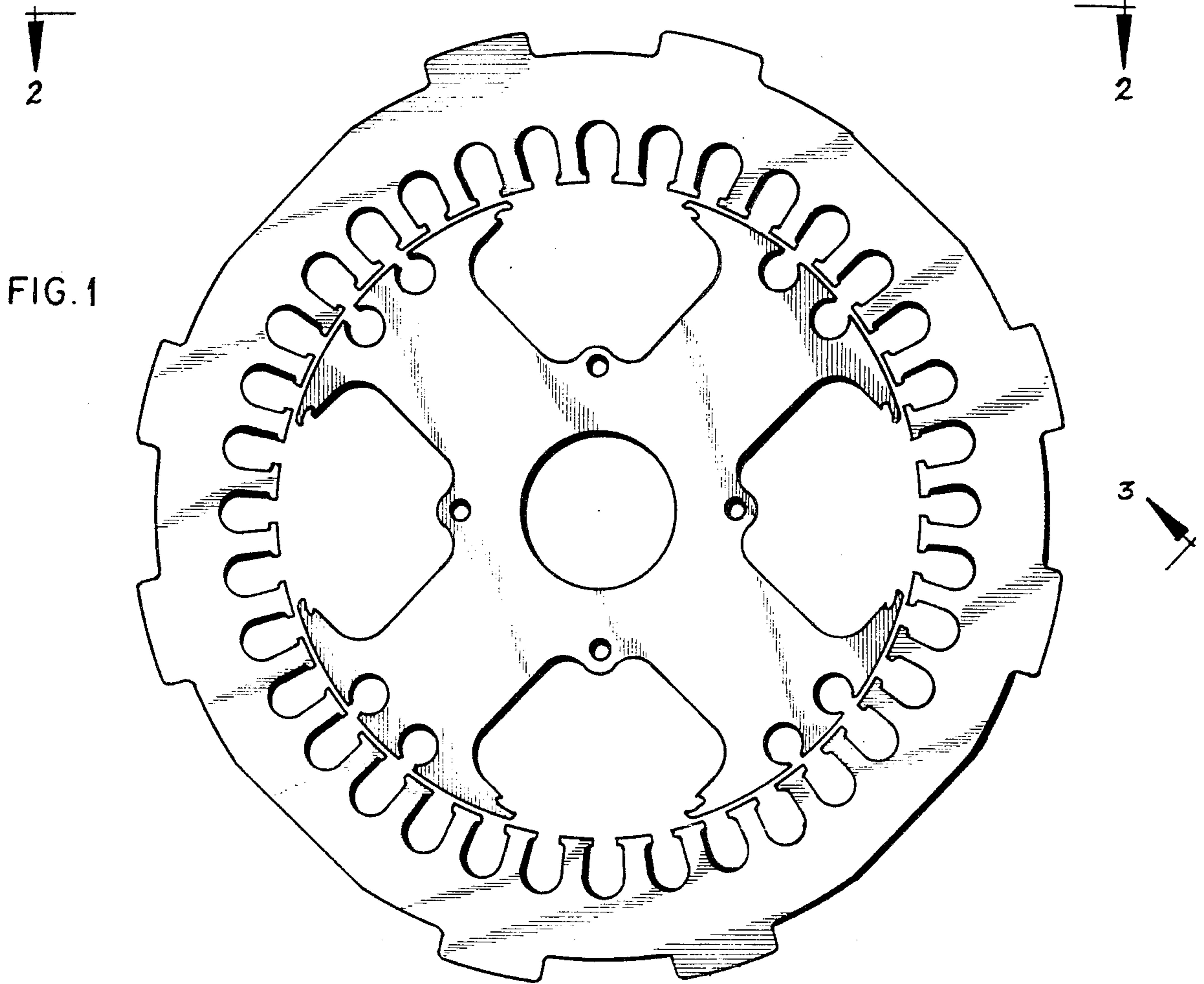


FIG. 2

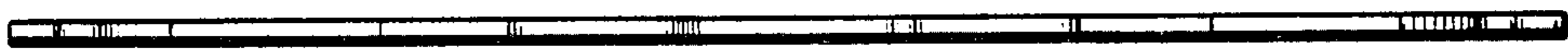


FIG. 3

