

[54] POWER STEP FOR AN AIRCRAFT

[75] Inventor: Keith T. Short, Bedford, Tex.

[73] Assignee: Power Steps, Kennedale, Tex.

[**] Term: 14 Years

[21] Appl. No.: 670,569

[22] Filed: Nov. 13, 1984

[52] U.S. Cl. D12/345; D12/157

[58] Field of Search D12/345, 157, 203;
244/129.6; 224/42.42 R

[56] References Cited

U.S. PATENT DOCUMENTS

- 3,778,011 12/1973 Cannon D12/345
- 4,440,364 4/1984 Cone et al. 244/129.6

Primary Examiner—James M. Gandy
 Assistant Examiner—Kay H. Chin
 Attorney, Agent, or Firm—Charles D. Gunter, Jr.

[57] CLAIM

The ornamental design for a power step for an aircraft, as shown and described.

DESCRIPTION

FIG. 1 is a front perspective view of a power step for an aircraft showing my new design;
 FIG. 2 is a front perspective view thereof in open condition, the broken line showing of environmental structure being for illustrative purposes only and forms no part of the claimed design;
 FIG. 3 is a left end elevation view of FIG. 1;
 FIG. 4 is a right end elevation view of FIG. 1;
 FIG. 5 is a rear perspective view of FIG. 1;
 FIG. 6 is a front perspective view taken from the opposite end of that shown in FIG. 1;
 FIG. 7 is a top perspective view of FIG. 1;
 FIG. 8 is a right end elevation view of FIG. 2;
 FIG. 9 is a left end elevation view of FIG. 2;
 FIG. 10 is a rear perspective view of FIG. 2;
 FIG. 11 is a front perspective view taken from the opposite end of that shown in FIG. 2;
 FIG. 12 is a bottom perspective view of FIG. 2.

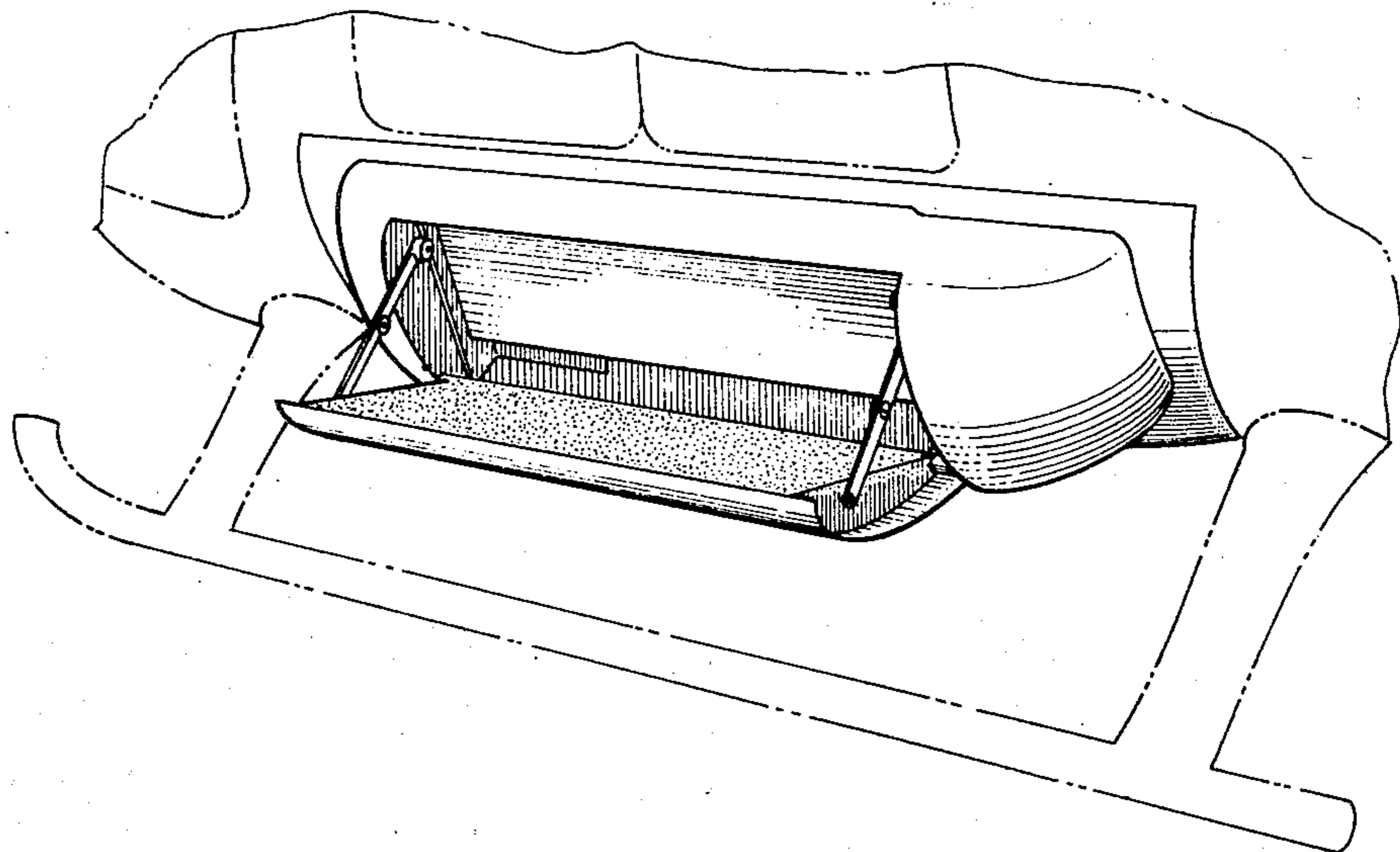


FIG. 1

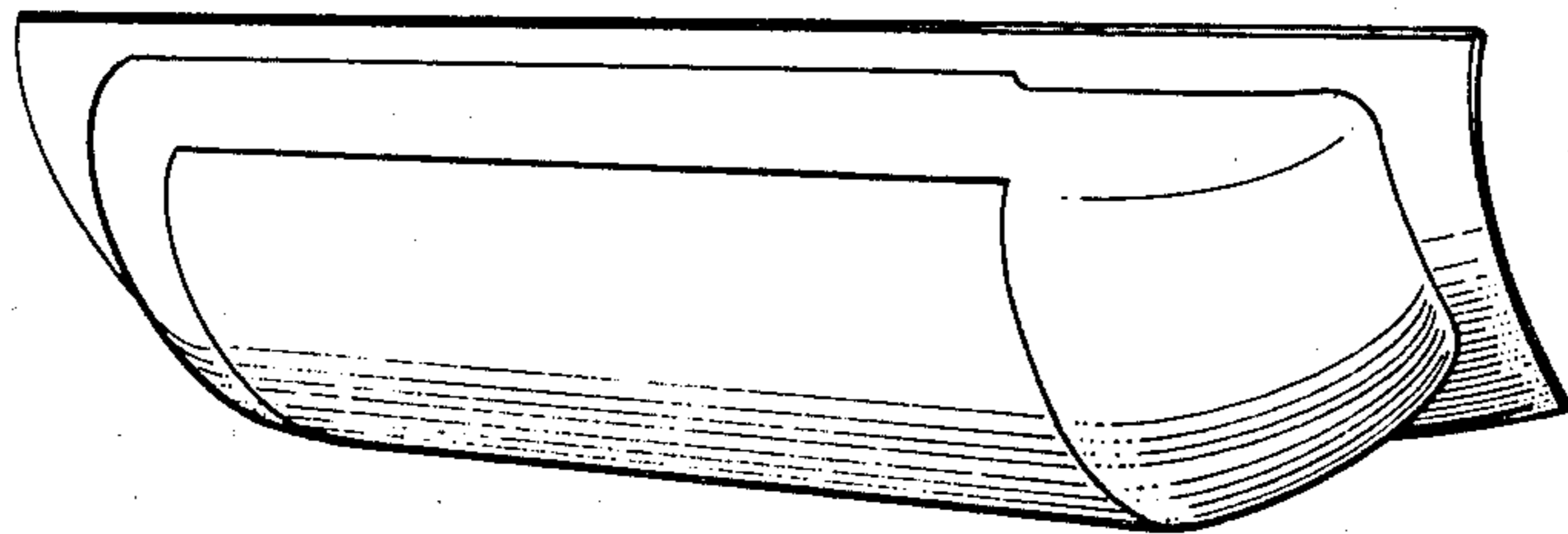
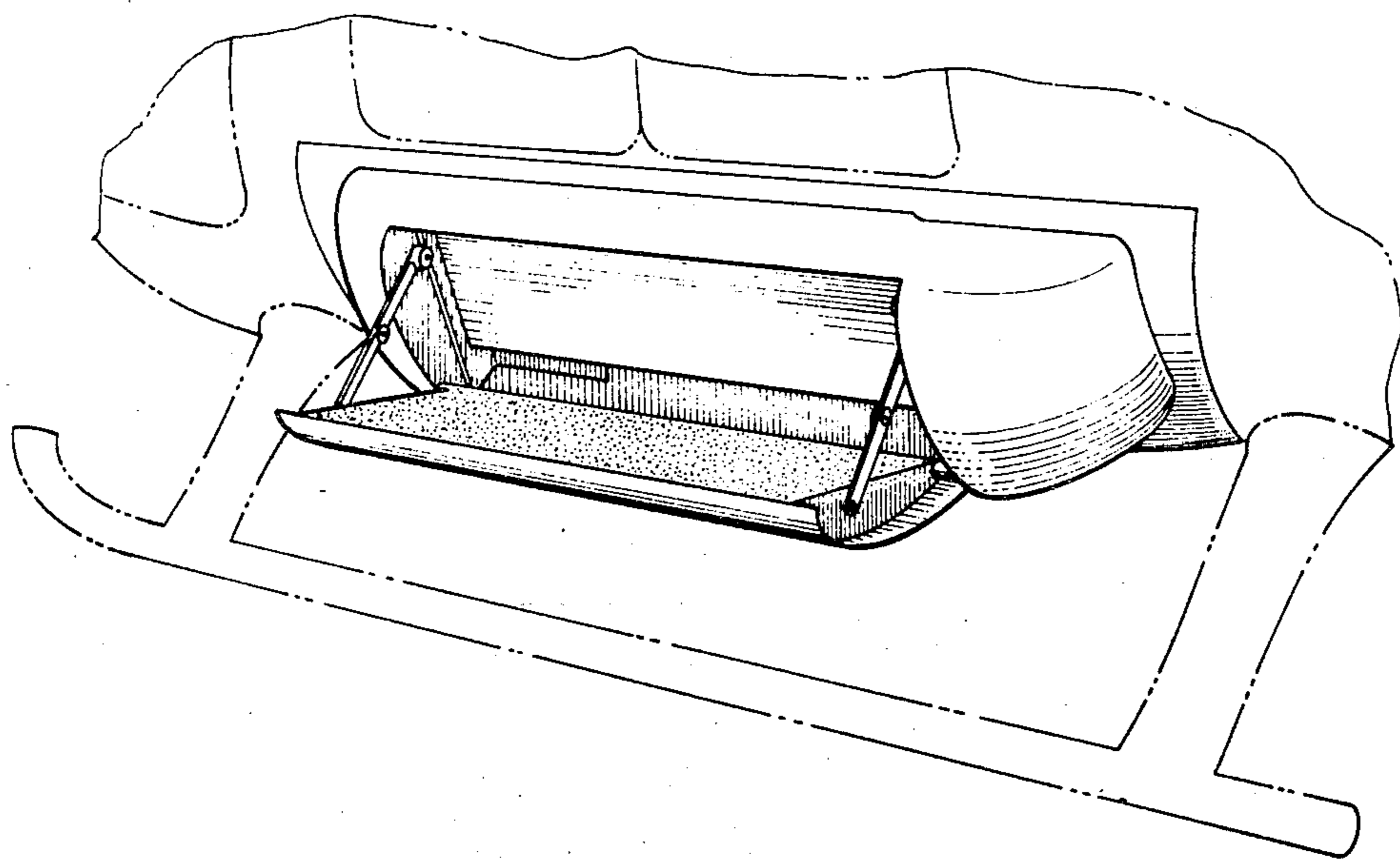


FIG. 2



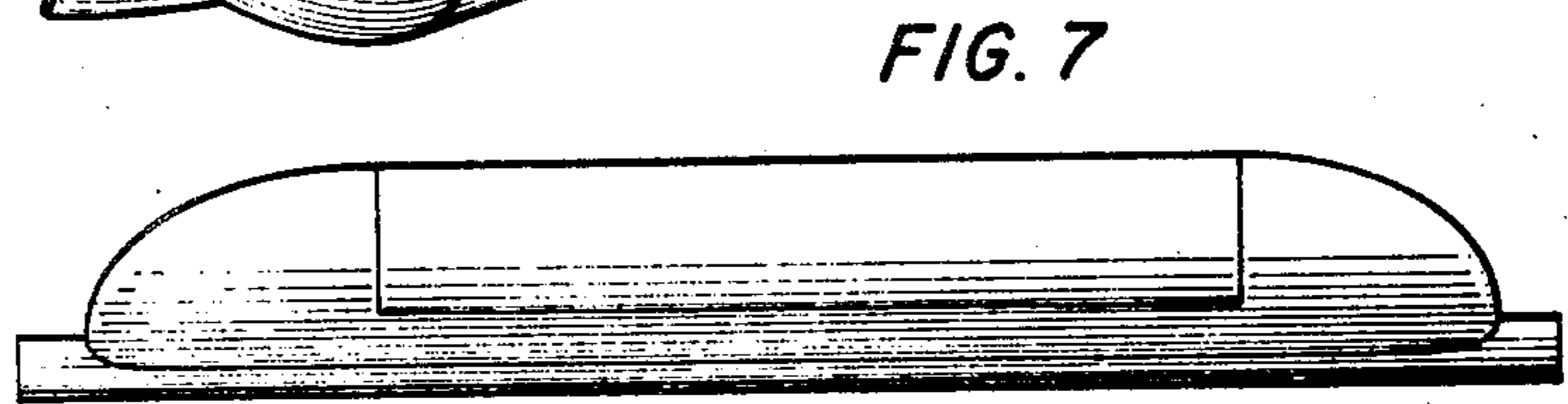
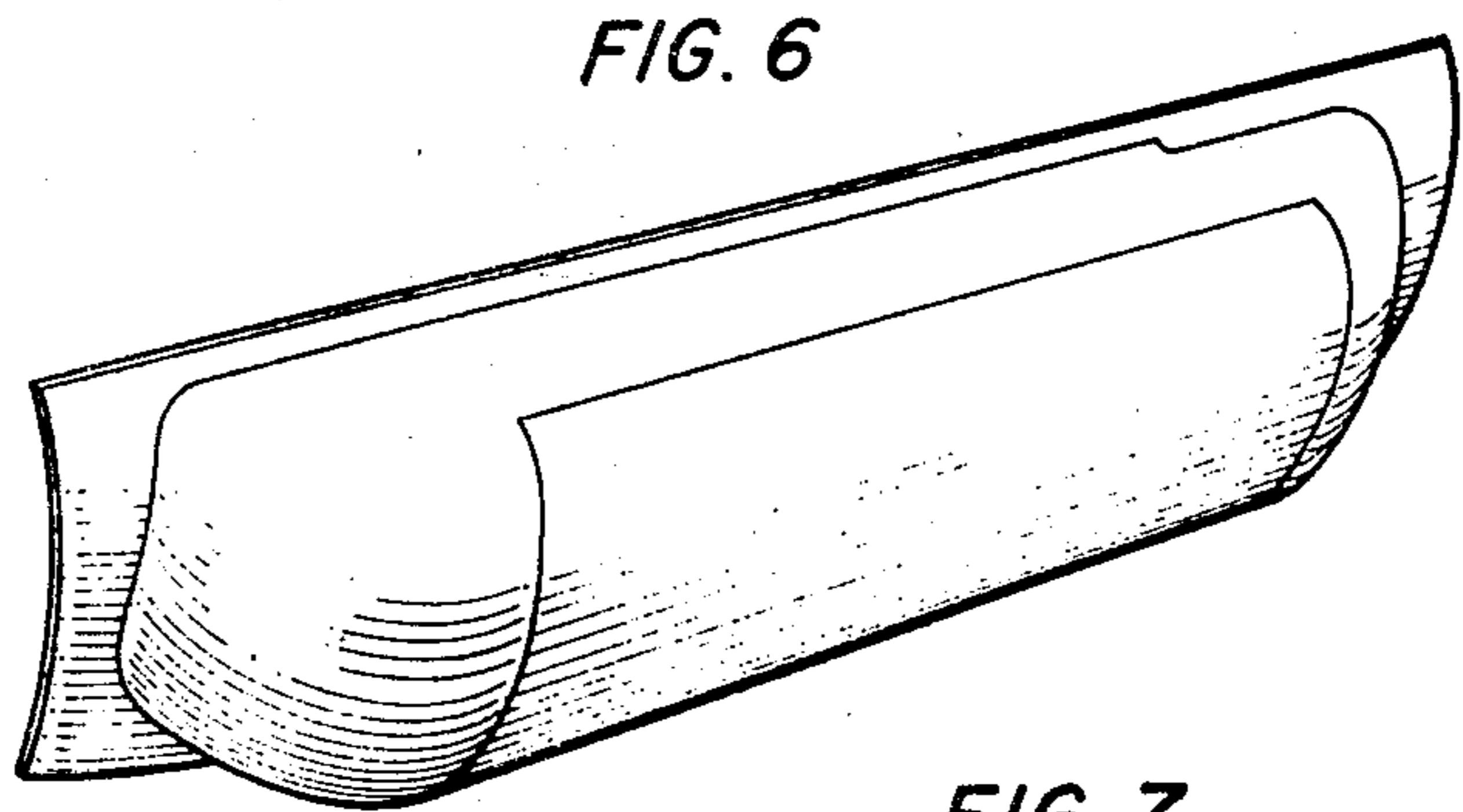
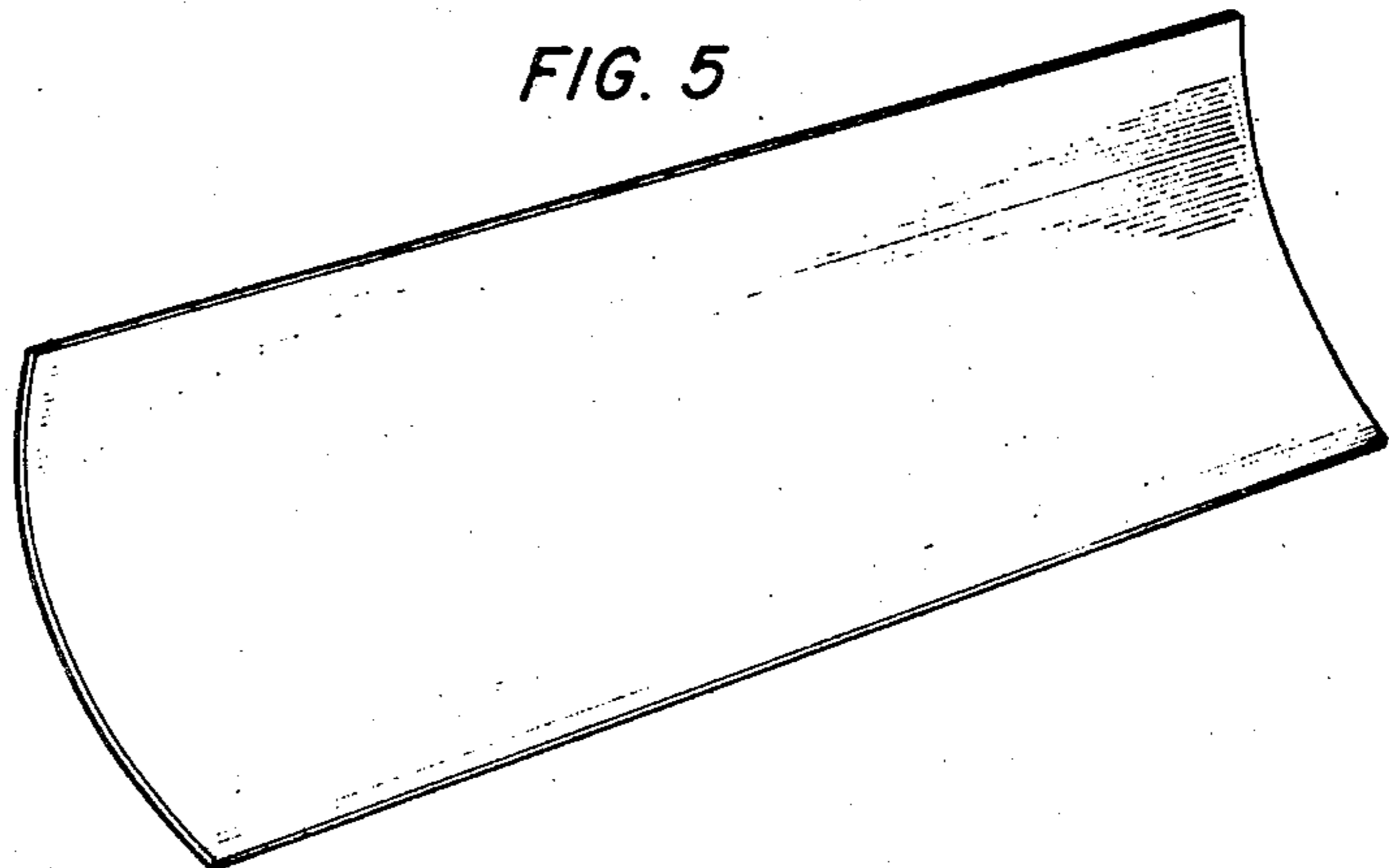
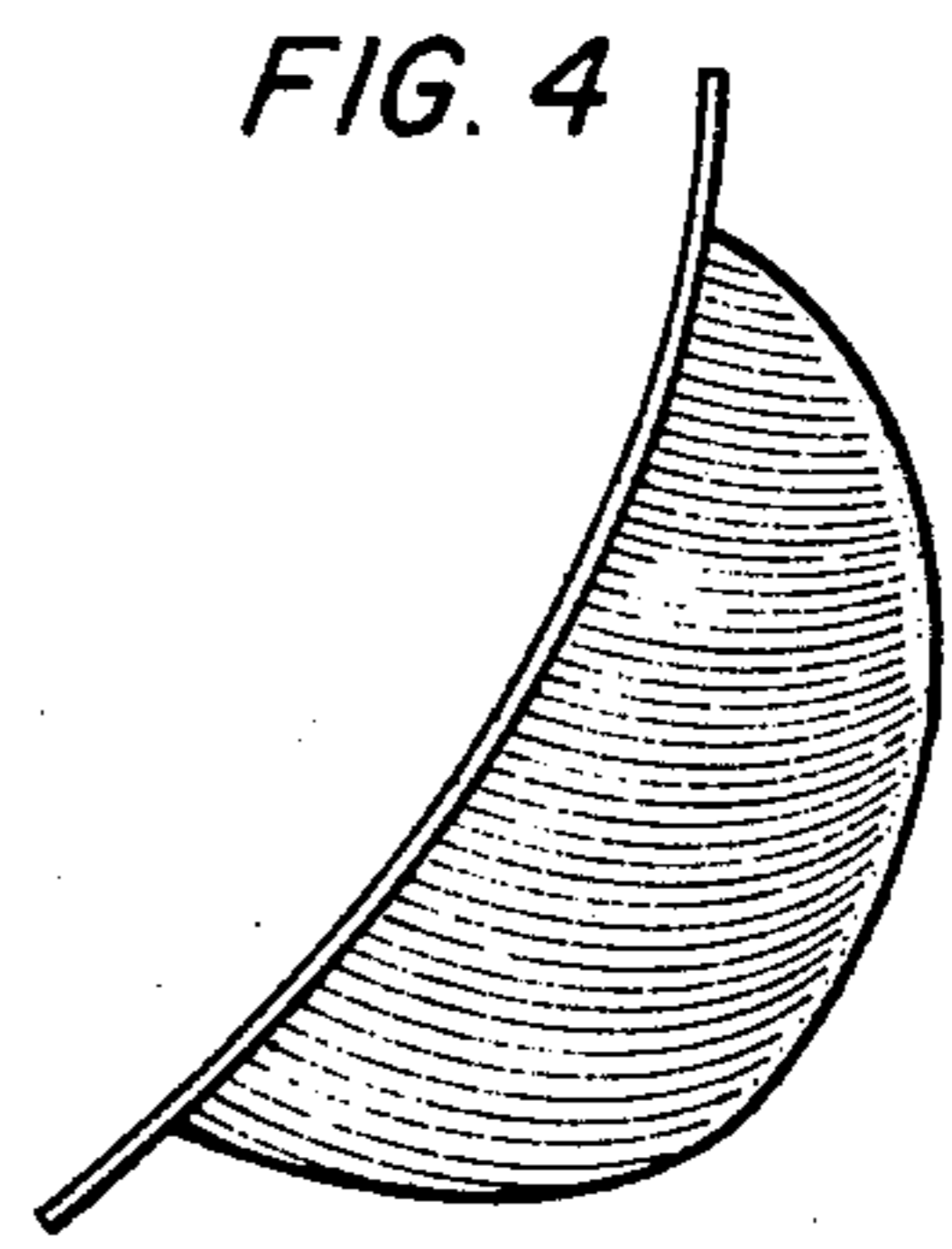
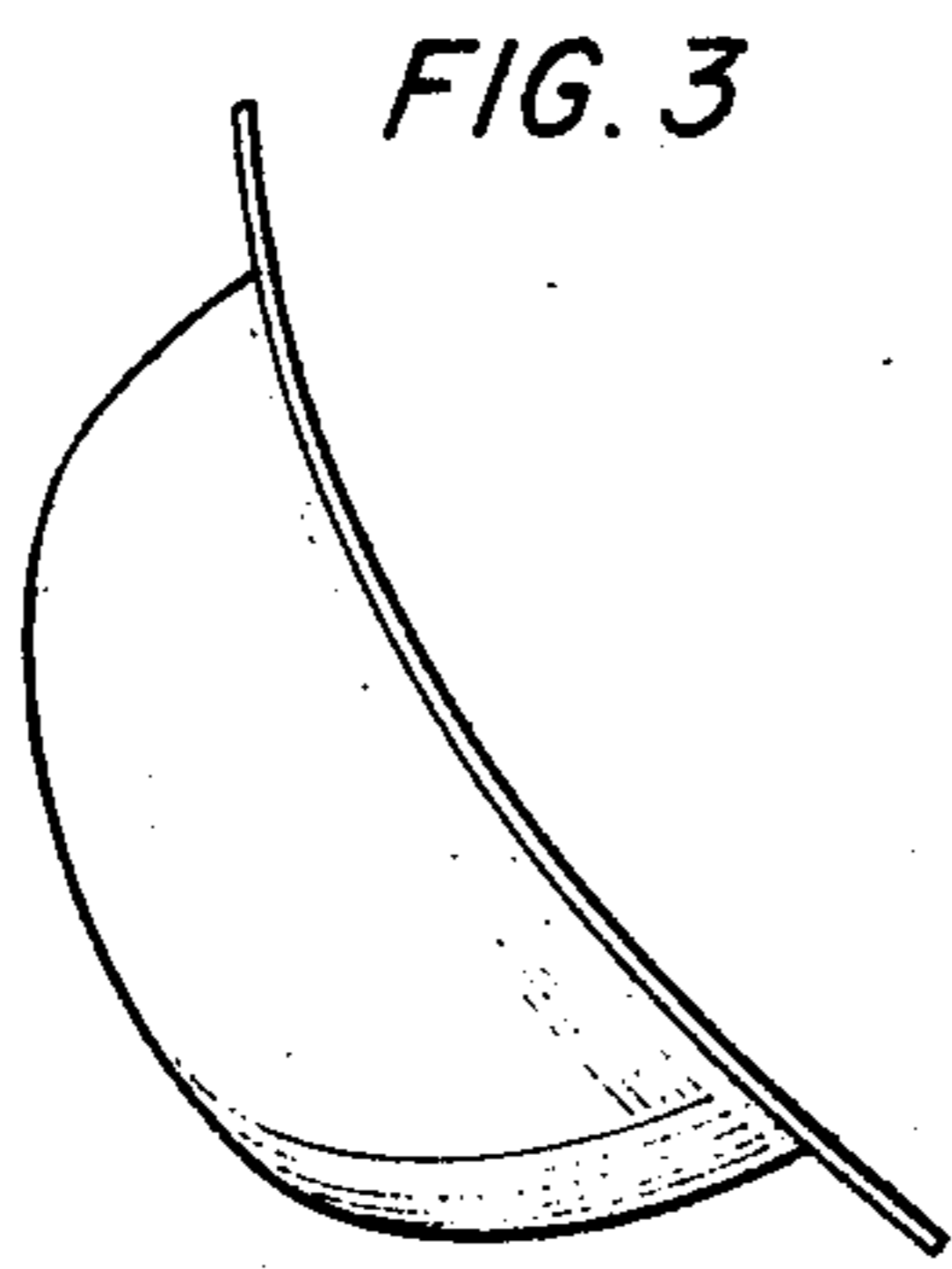


FIG. 8

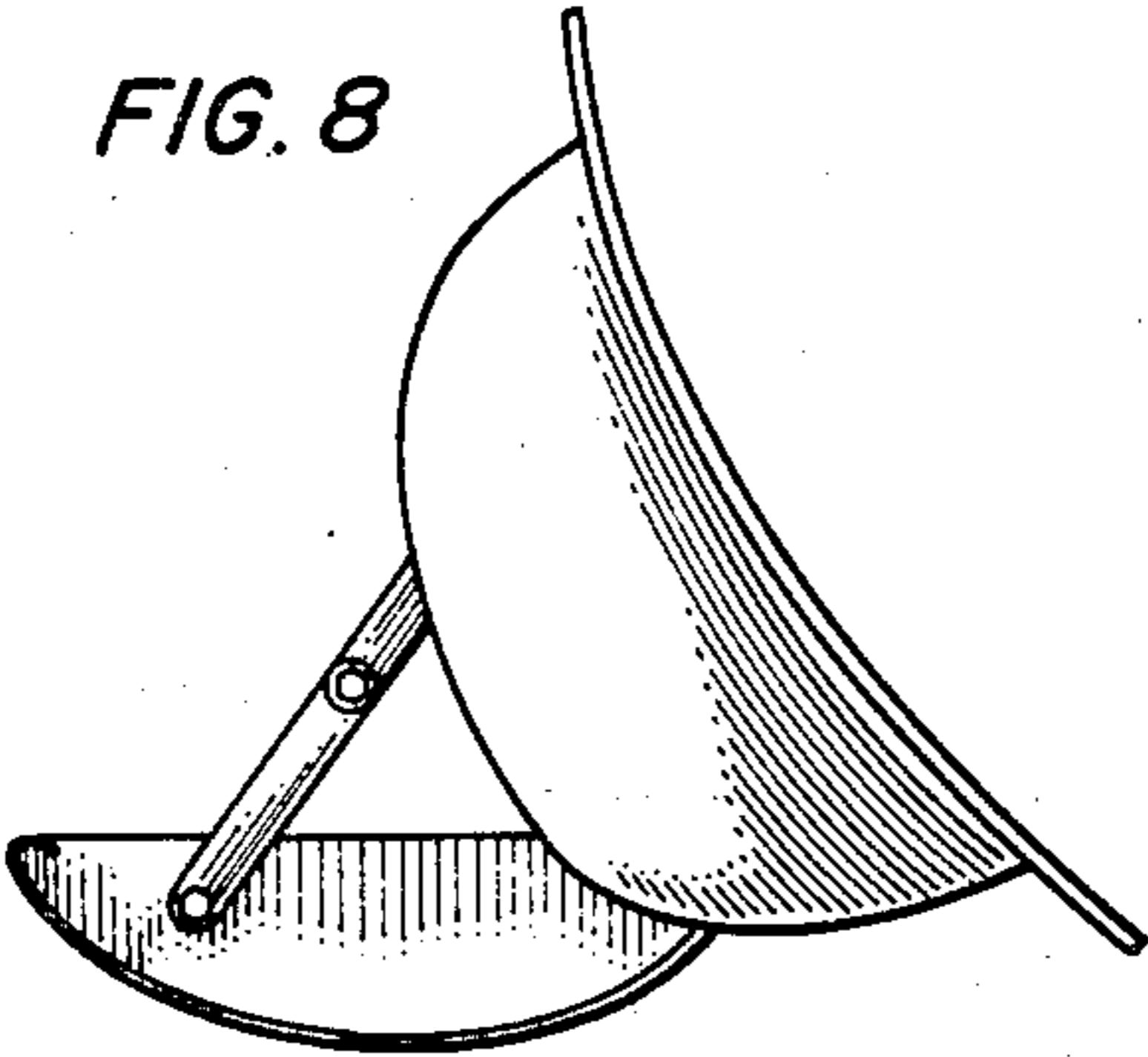


FIG. 9

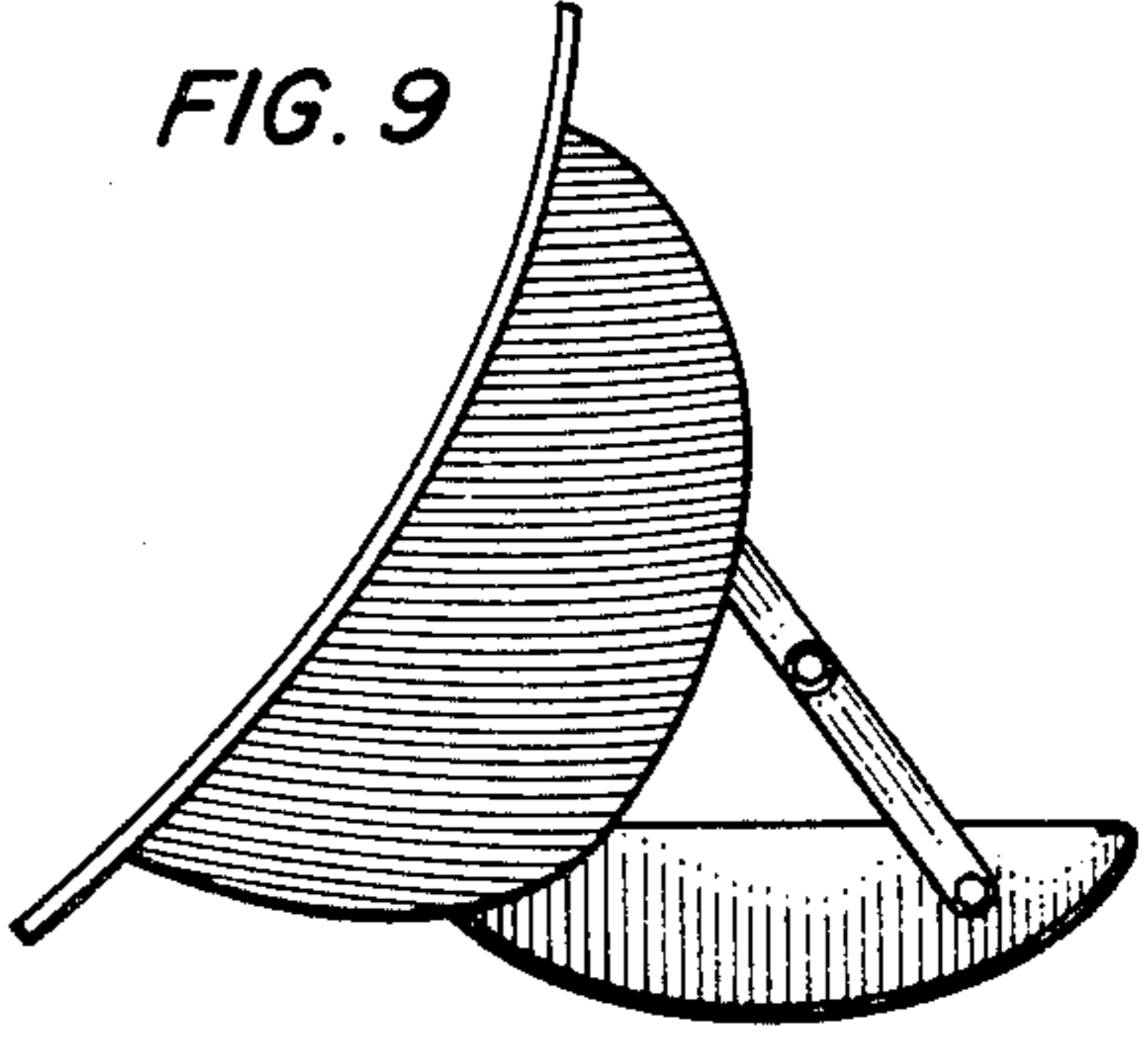


FIG. 10

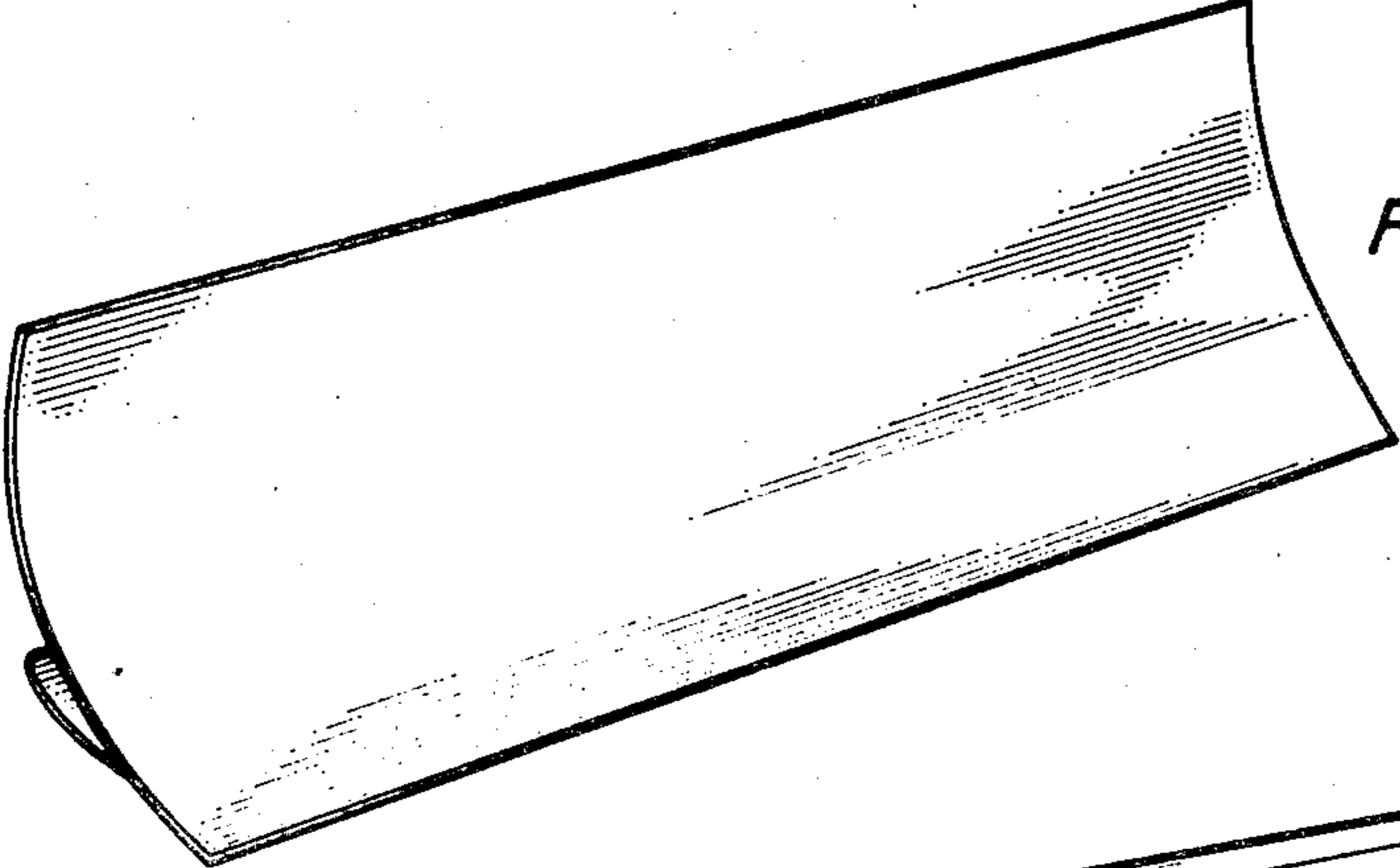


FIG. 11

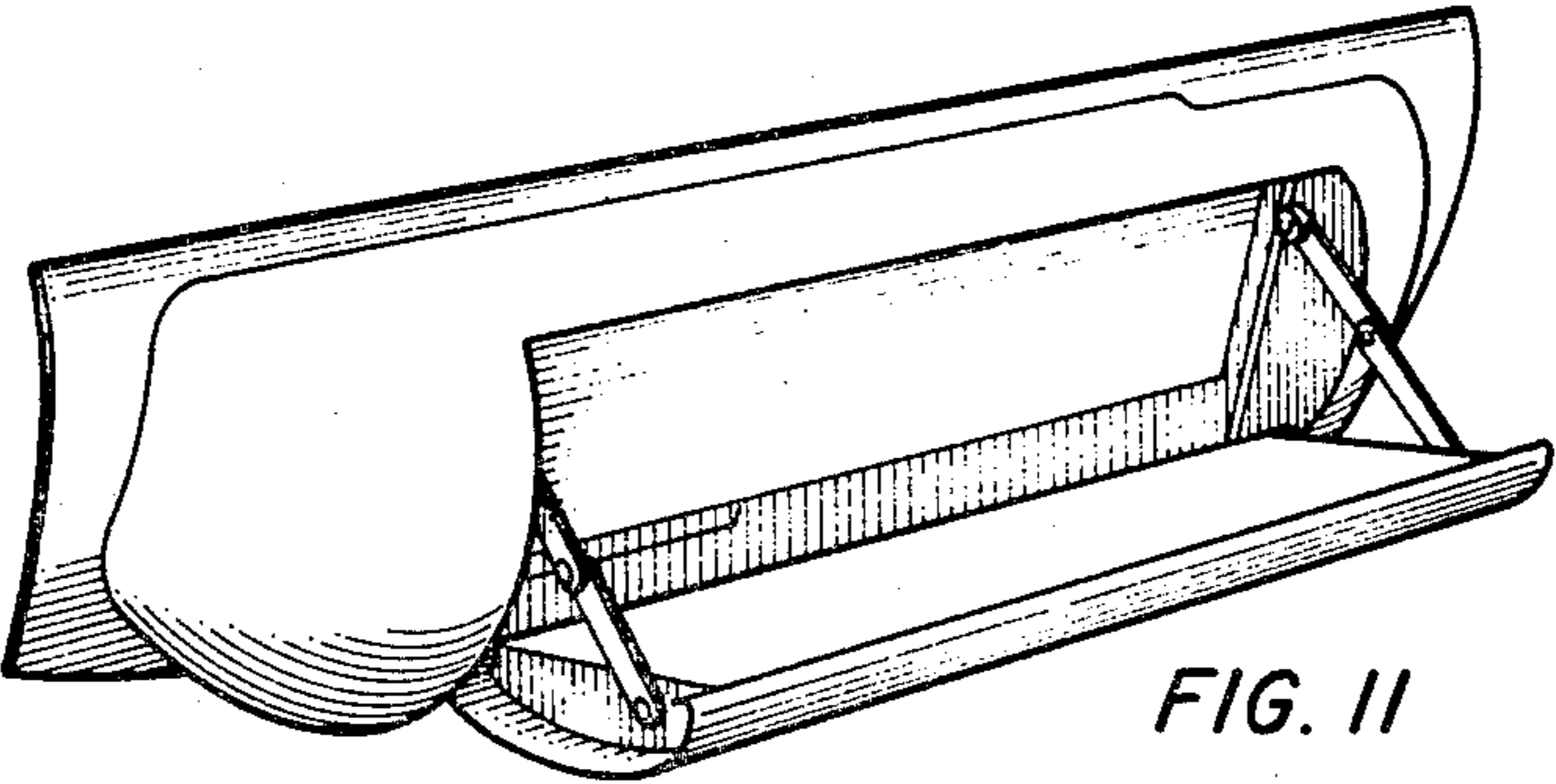


FIG. 12

