

[54] **AUTOMOBILE GRILL**

[75] **Inventor:** Toshiyuki Shimazaki, Sagamihara, Japan

[73] **Assignee:** Nissan Motor Co., Ltd., Yokohama, Japan

[**] **Term:** 14 Years

[21] **Appl. No.:** 775,658

[22] **Filed:** Sep. 13, 1985

Related U.S. Application Data

[63] Continuation of Ser. No. 483,297, Apr. 8, 1983, abandoned.

[52] **U.S. Cl.** D12/163

[58] **Field of Search** D12/163, 171; 180/68.6

[56] **References Cited**
PUBLICATIONS

Road & Track, 6/81, p. 62, Front Grill of Mazda GLC, top of page.

Road & Track, 10/82, p. 19, Front Grill of Renault Alliance, bottom right side of page.

Primary Examiner—James M. Gandy

Attorney, Agent, or Firm—Schwartz, Jeffery, Schwaab, Mack, Blumenthal & Evans

[57] **CLAIM**

The ornamental design of an automobile grill, as shown and described.

DESCRIPTION

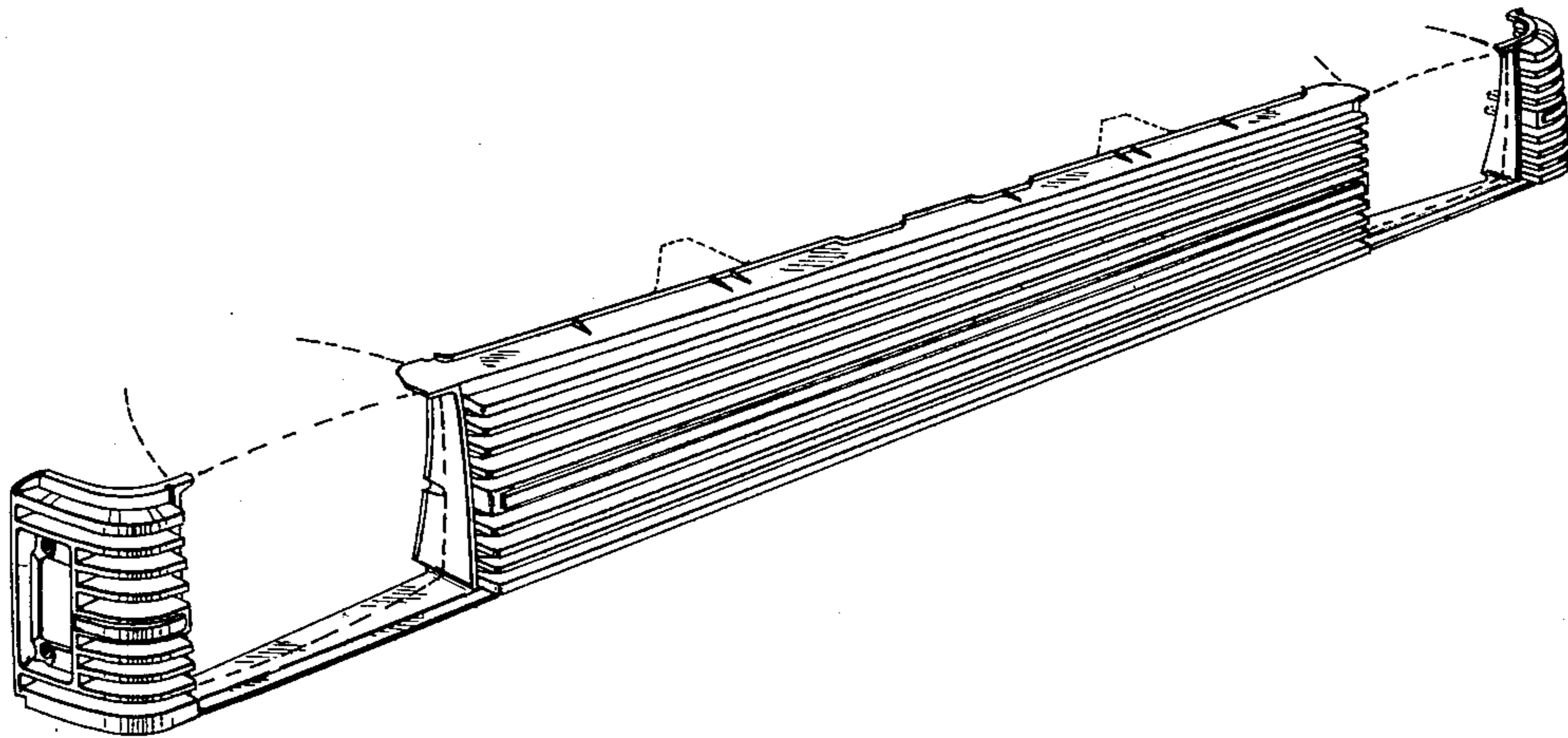
FIG. 1 is a perspective view of an automobile grill showing the new design;

FIG. 2 is a left side elevation view thereof;

FIG. 3 is a front elevation view thereof; and

FIG. 4 is a top plan view thereof;

The broken lines in the drawing are for illustrative purposes only.



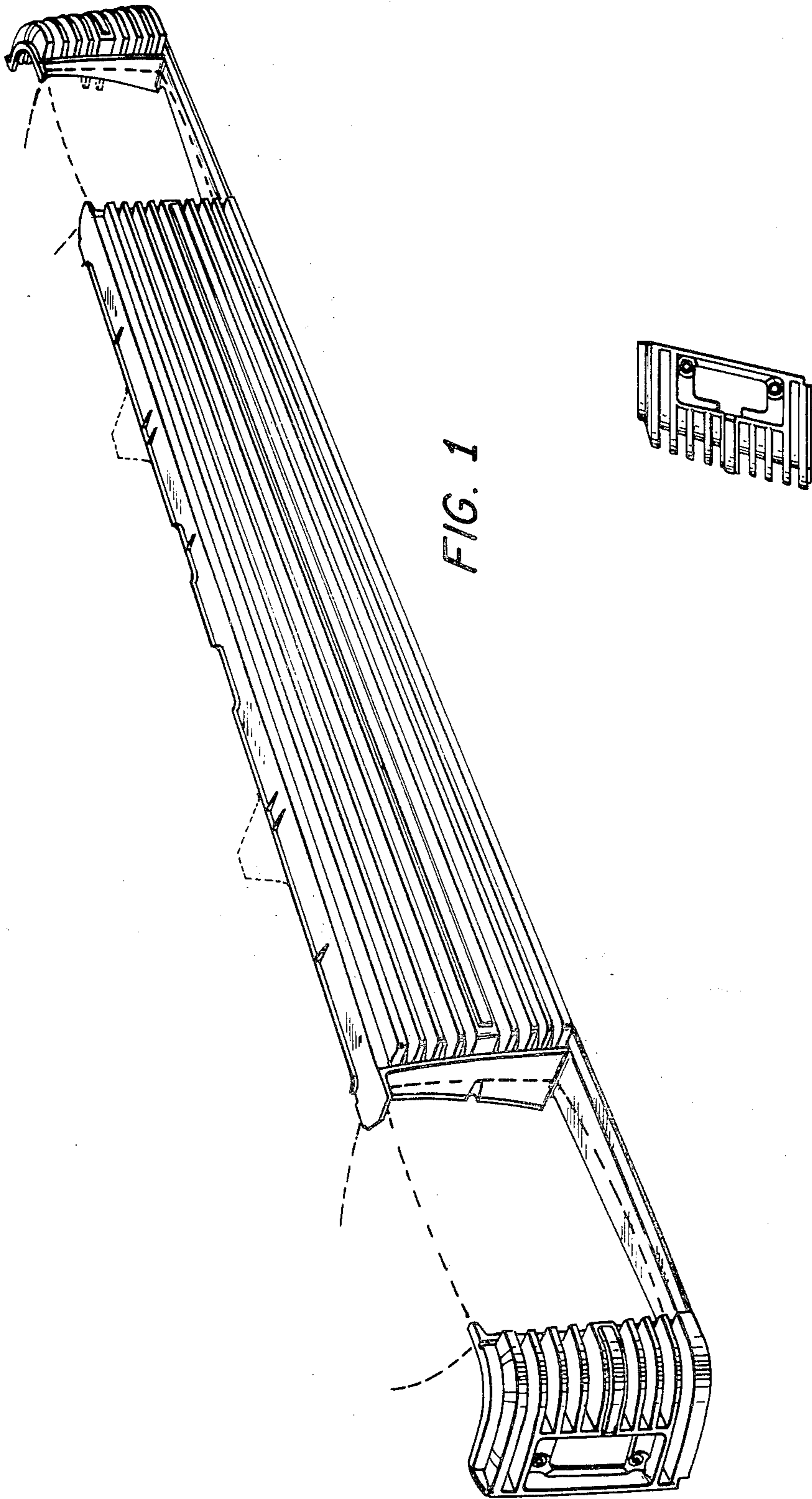


FIG. 1

FIG. 2

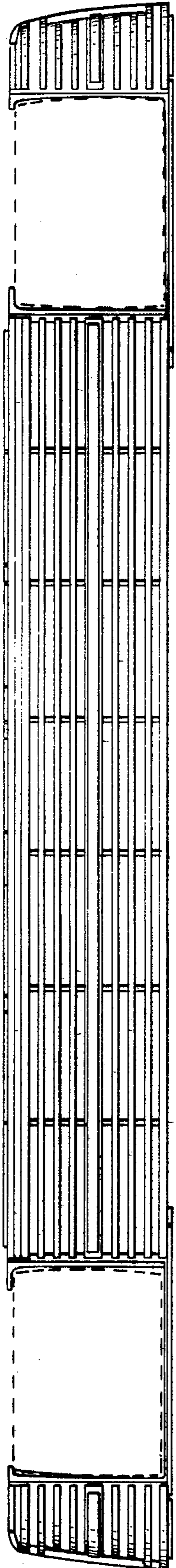


FIG. 3

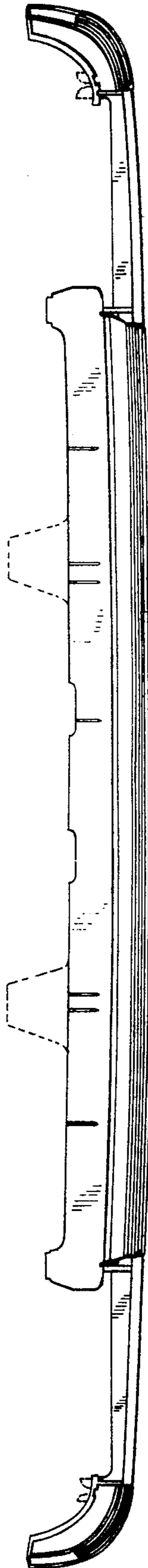


FIG. 4