

[54] SPORTS CAR GRILLE

[76] Inventor: John L. Stevens, 107 Winona Ave., Haverhill, Mass. 01830

[**] Term: 14 Years

[21] Appl. No.: 649,125

[22] Filed: Sep. 10, 1984

[52] U.S. Cl. D12/163

[58] Field of Search D12/163, 165; 180/68.6

[56] References Cited

U.S. PATENT DOCUMENTS

D. 117,211 10/1939 Cadwallader D12/165

OTHER PUBLICATIONS

Popular Mechanics, 2/54, p. 150, Front Grille of Cord Convertible Coupe, 1937, top of page.

Primary Examiner—James M. Gandy
Attorney, Agent, or Firm—Pearson & Pearson

[57] CLAIM

The ornamental design for a sports car grille, as shown.

DESCRIPTION

FIG. 1 is a top left front perspective view of a sports car grille showing my new design;
FIG. 2 is a left side perspective view thereof;
FIG. 3 is a right side perspective view thereof;
FIG. 4 is a front perspective view thereof;
FIG. 5 is a rear perspective view thereof;
FIG. 6 is a top perspective view thereof; and
FIG. 7 is a bottom perspective view thereof.

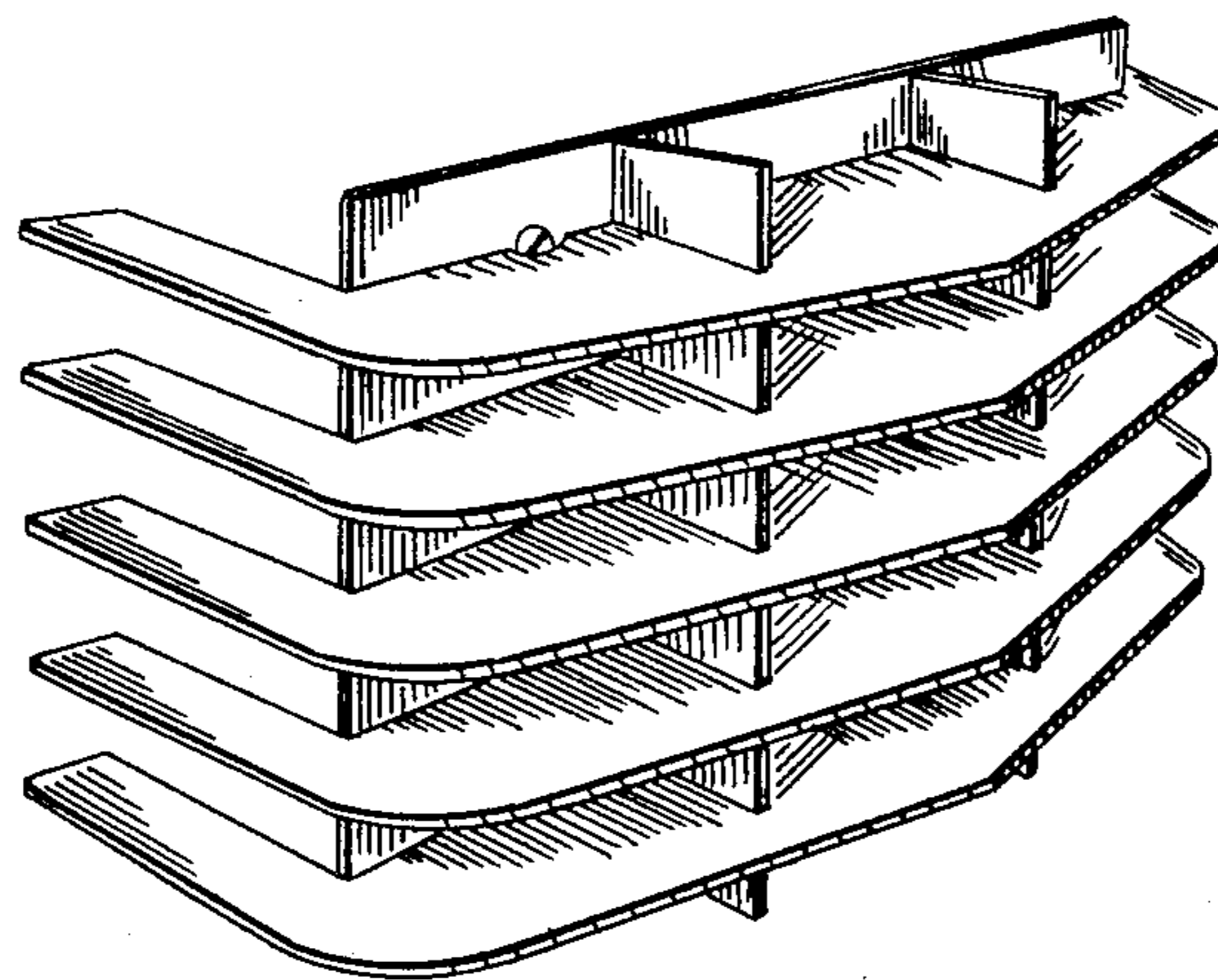


Fig. 1

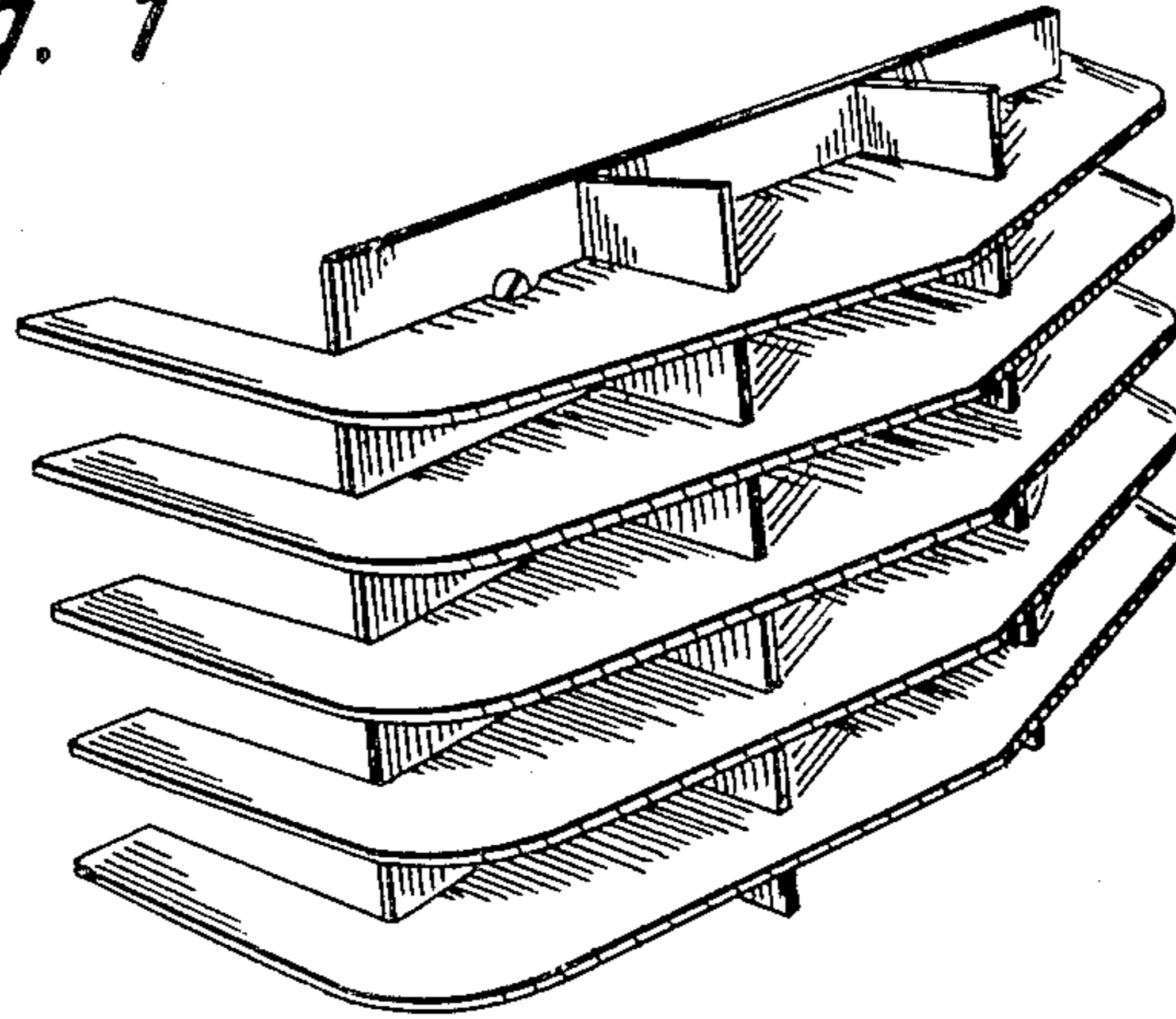


Fig. 2

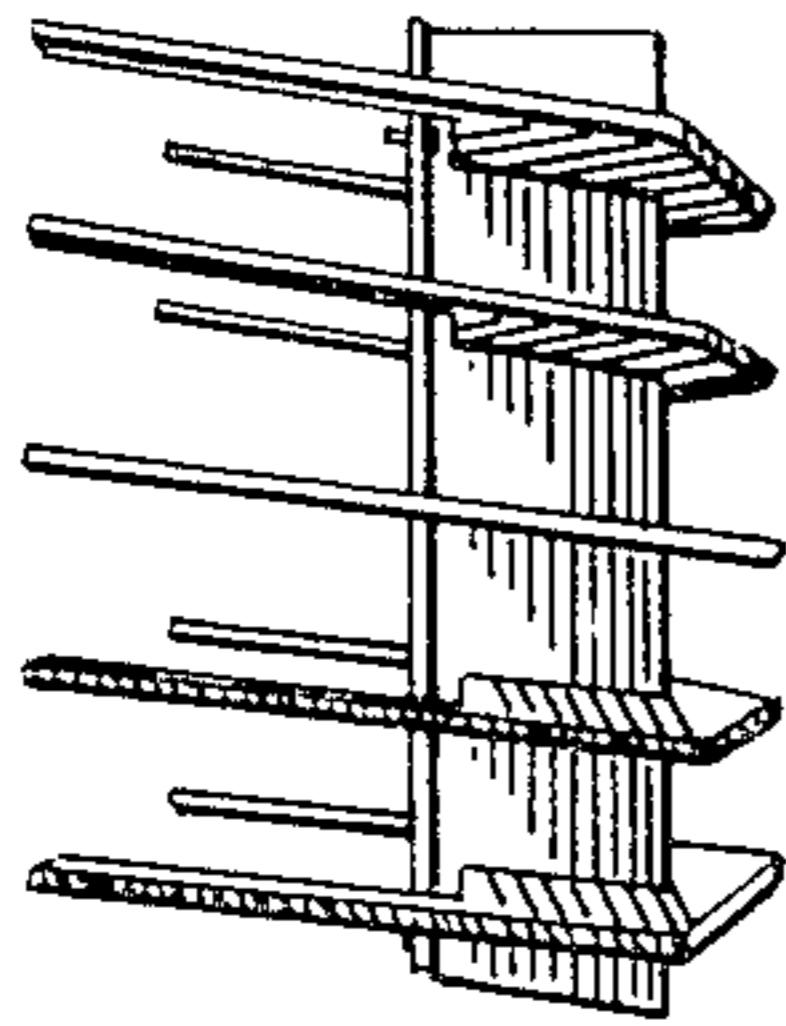


Fig. 3

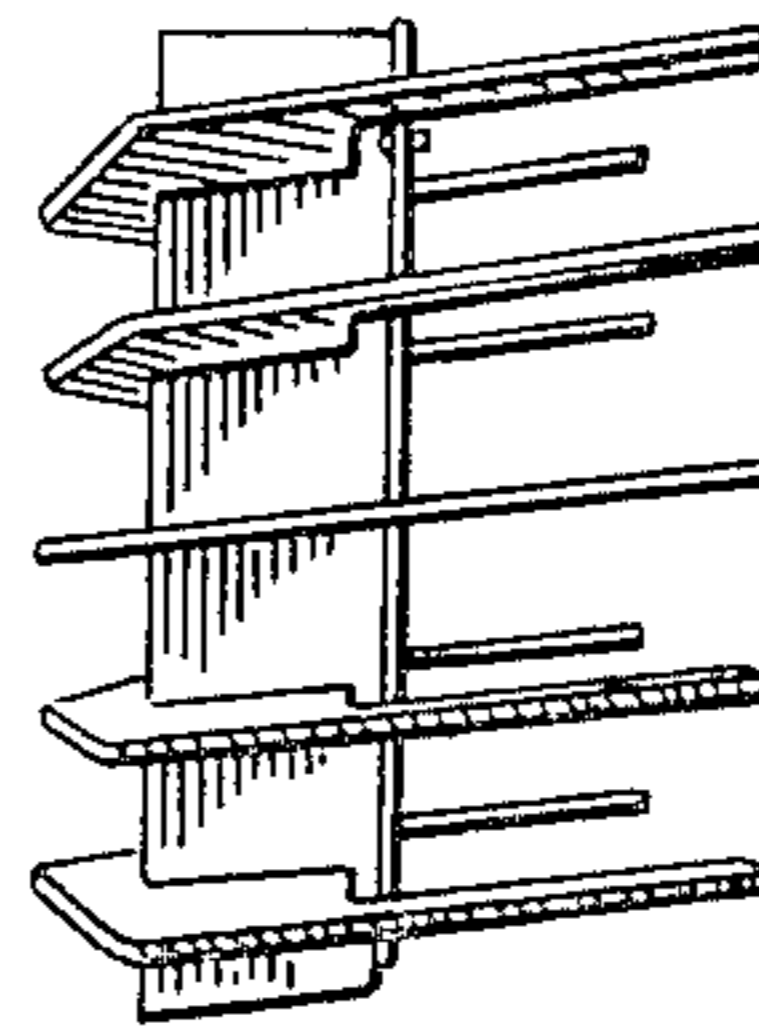


Fig. 4

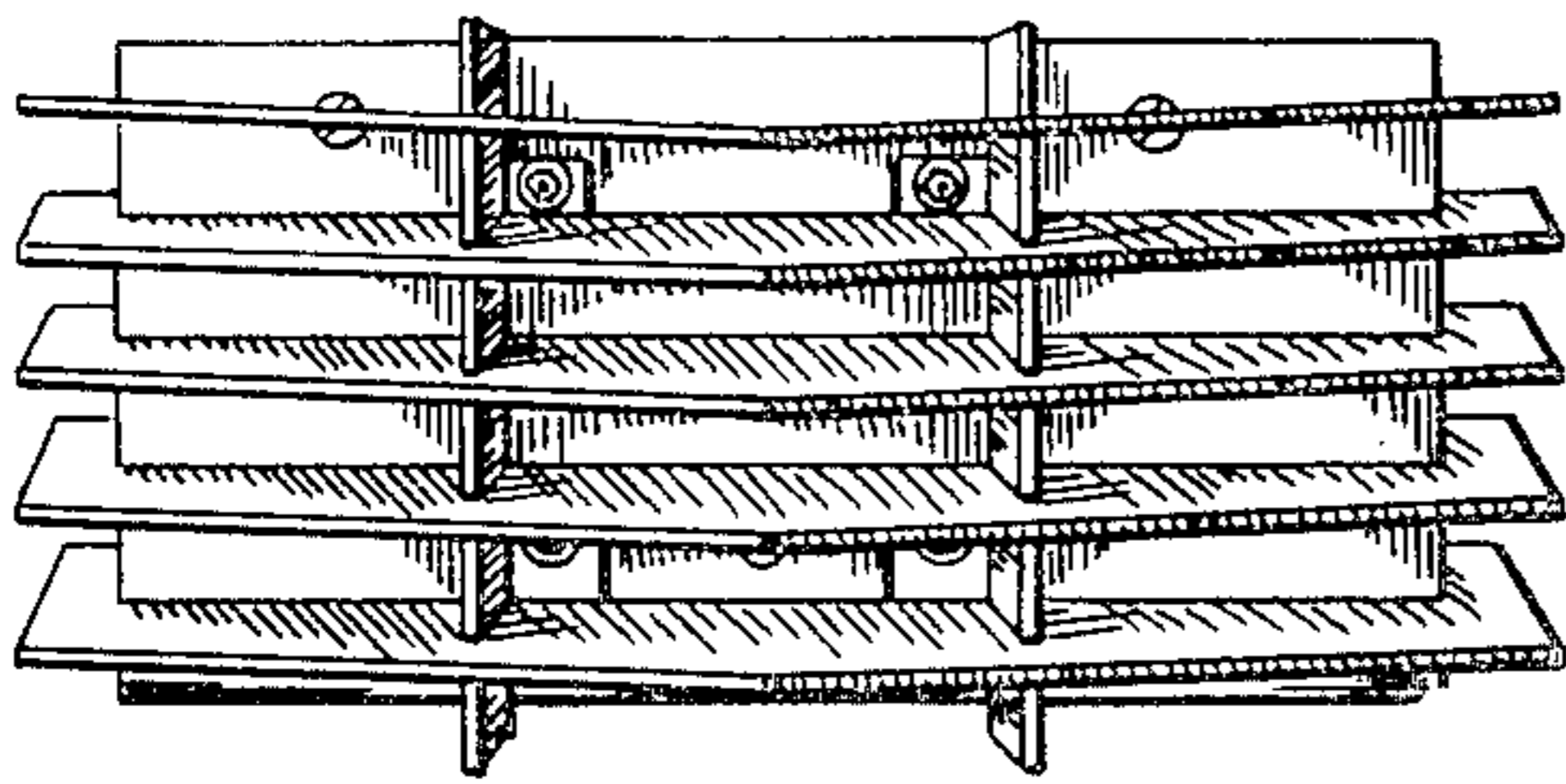


Fig. 5

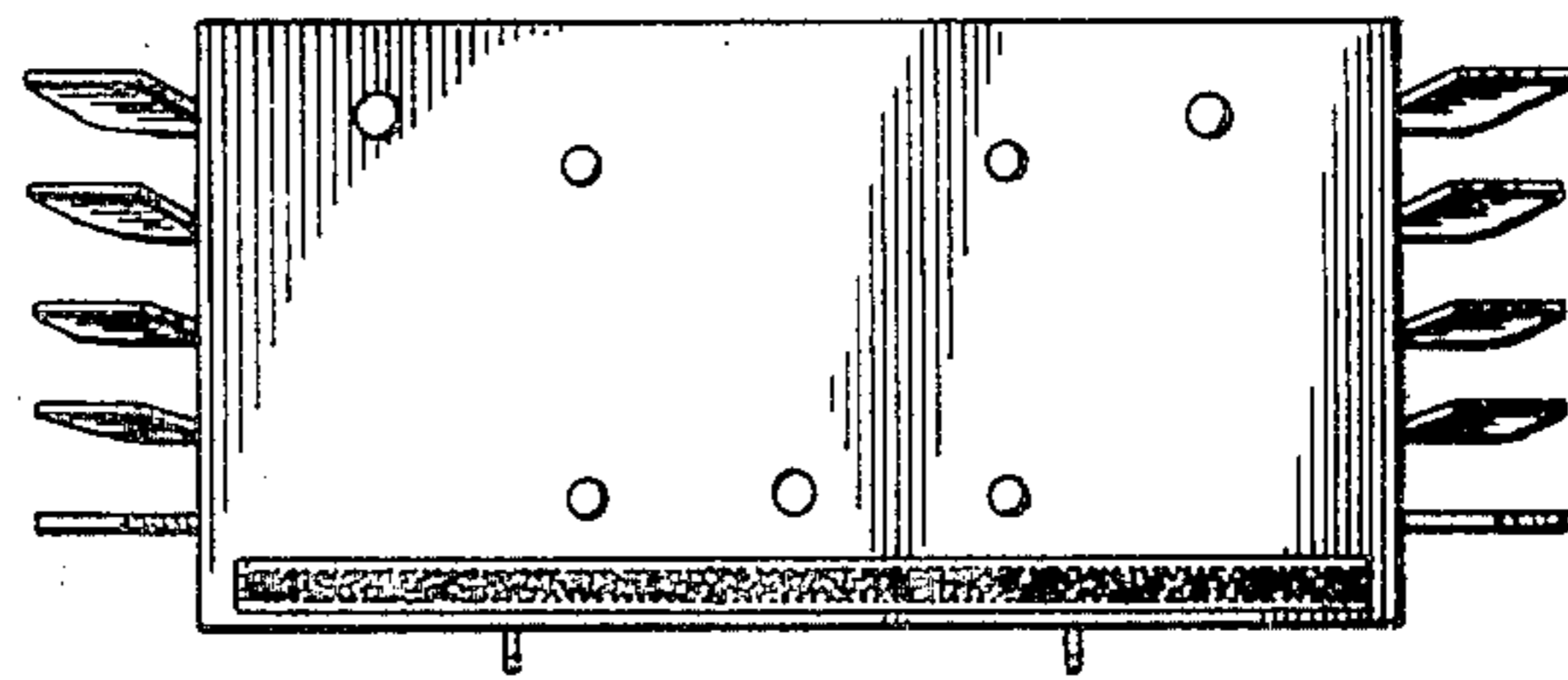


Fig. 6

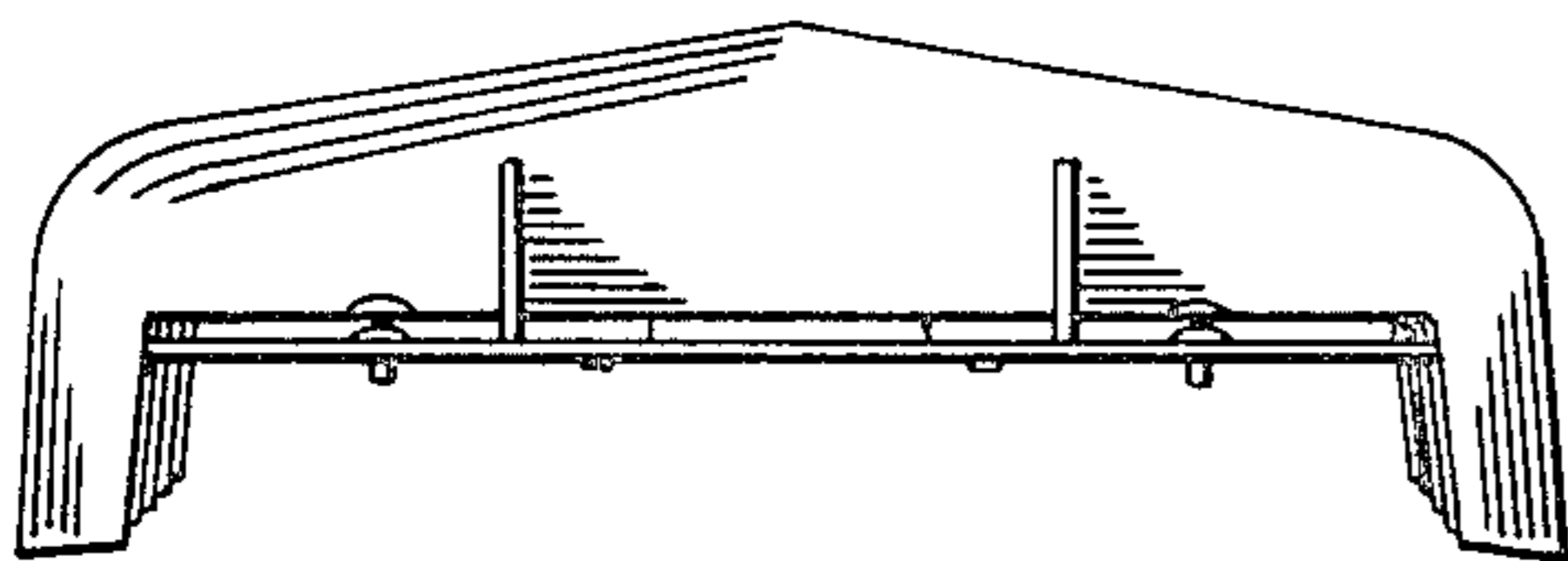


Fig. 7

