

[54] COVER UNIT FOR THE BED OF A PICKUP TRUCK

[76] Inventor: David O. Pino, 3234 Taft Ct., Wheatridge, Colo. 80033

[\*\*] Term: 14 Years

[21] Appl. No.: 651,239

[22] Filed: Sep. 17, 1984

[52] U.S. Cl. .... D12/156

[58] Field of Search ..... D12/156; 296/100, 26, 296/10

[56] References Cited

U.S. PATENT DOCUMENTS

3,069,199	12/1962	Reardon et al. ....	296/100
3,420,570	1/1969	Kunz .....	296/100
3,858,744	1/1975	Garvert .....	296/100
4,284,303	8/1981	Hather .....	296/100
4,531,775	7/1985	Beals .....	296/100

Primary Examiner—James M. Gandy  
Attorney, Agent, or Firm—Donald W. Margolis

[57] CLAIM

The ornamental design for a cover unit for the bed of a pickup truck, as shown and described.

DESCRIPTION

FIG. 1 is a perspective view of a cover unit for the bed of a pickup truck showing my new design in closed condition and mounted on a pickup truck which is shown in broken lines for illustrative purposes only;

FIG. 2 is a top plan view thereof;

FIG. 3 is a front elevation view thereof;

FIG. 4 is a bottom plan view thereof;

FIG. 5 is a right side elevation view thereof;

FIG. 6 is a left side elevation view thereof;

FIG. 7 is a rear elevation view thereof;

FIG. 8 is a perspective view thereof in open condition mounted on a pickup truck which is shown in broken lines for illustrative purposes only;

FIG. 9 is a top plan view of FIG. 8;

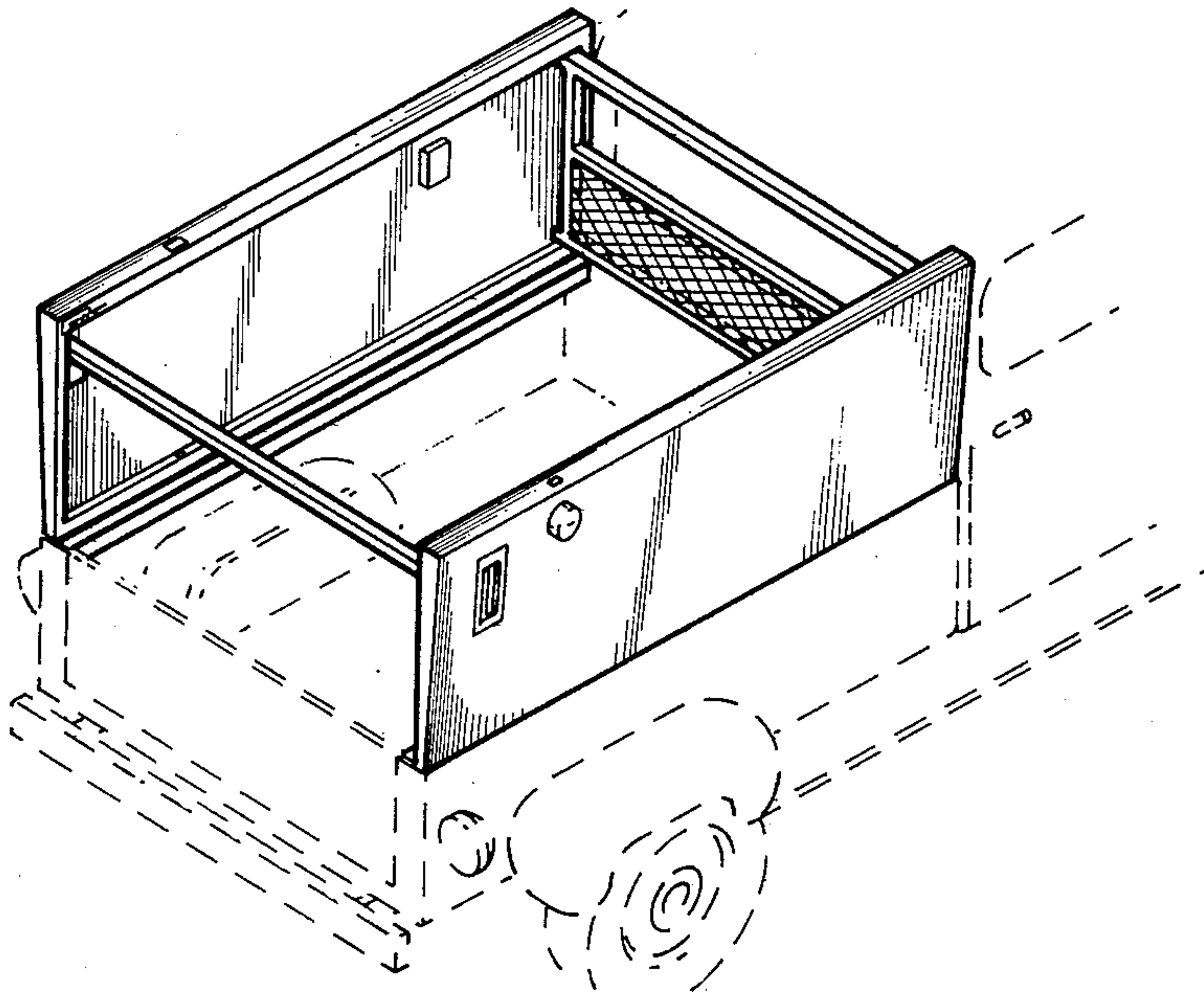
FIG. 10 is a front elevation view of FIG. 8;

FIG. 11 is a bottom plan view of FIG. 8;

FIG. 12 is a right side elevation view of FIG. 8;

FIG. 13 is a left side elevation view of FIG. 8; and

FIG. 14 is a rear elevation view of FIG. 8.



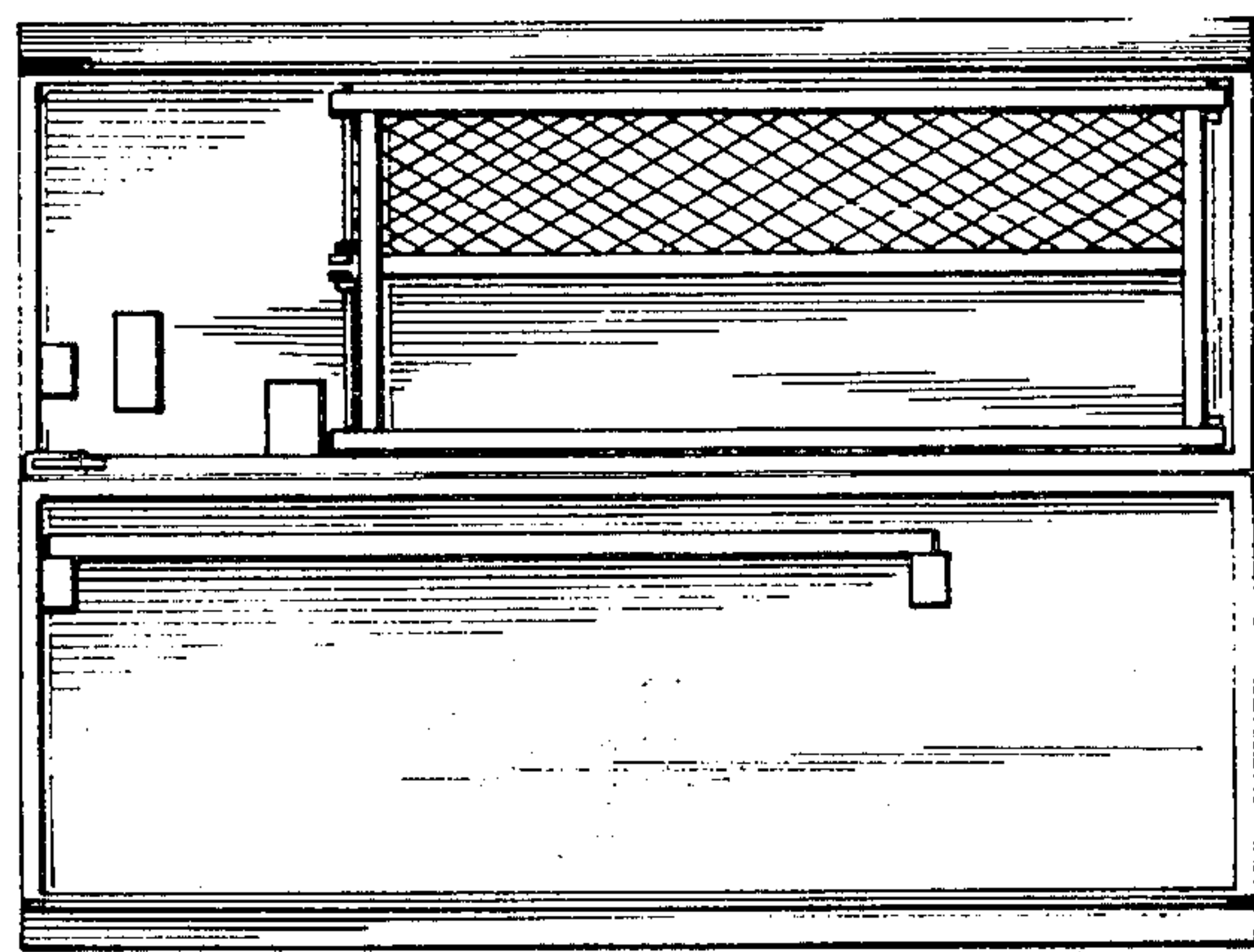
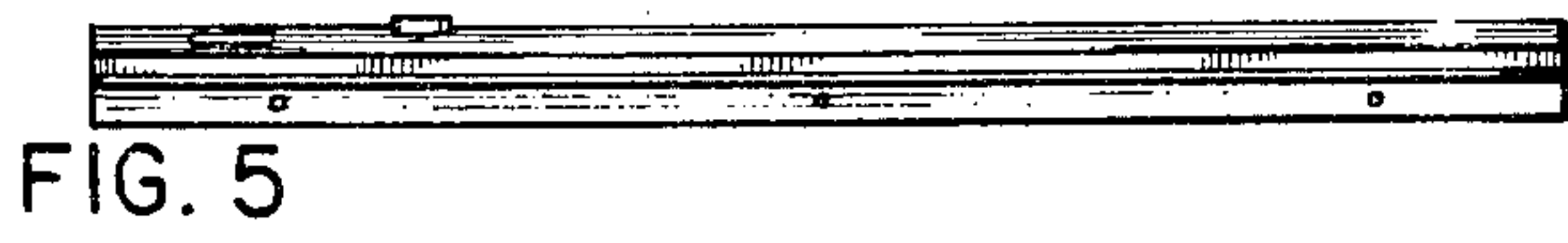
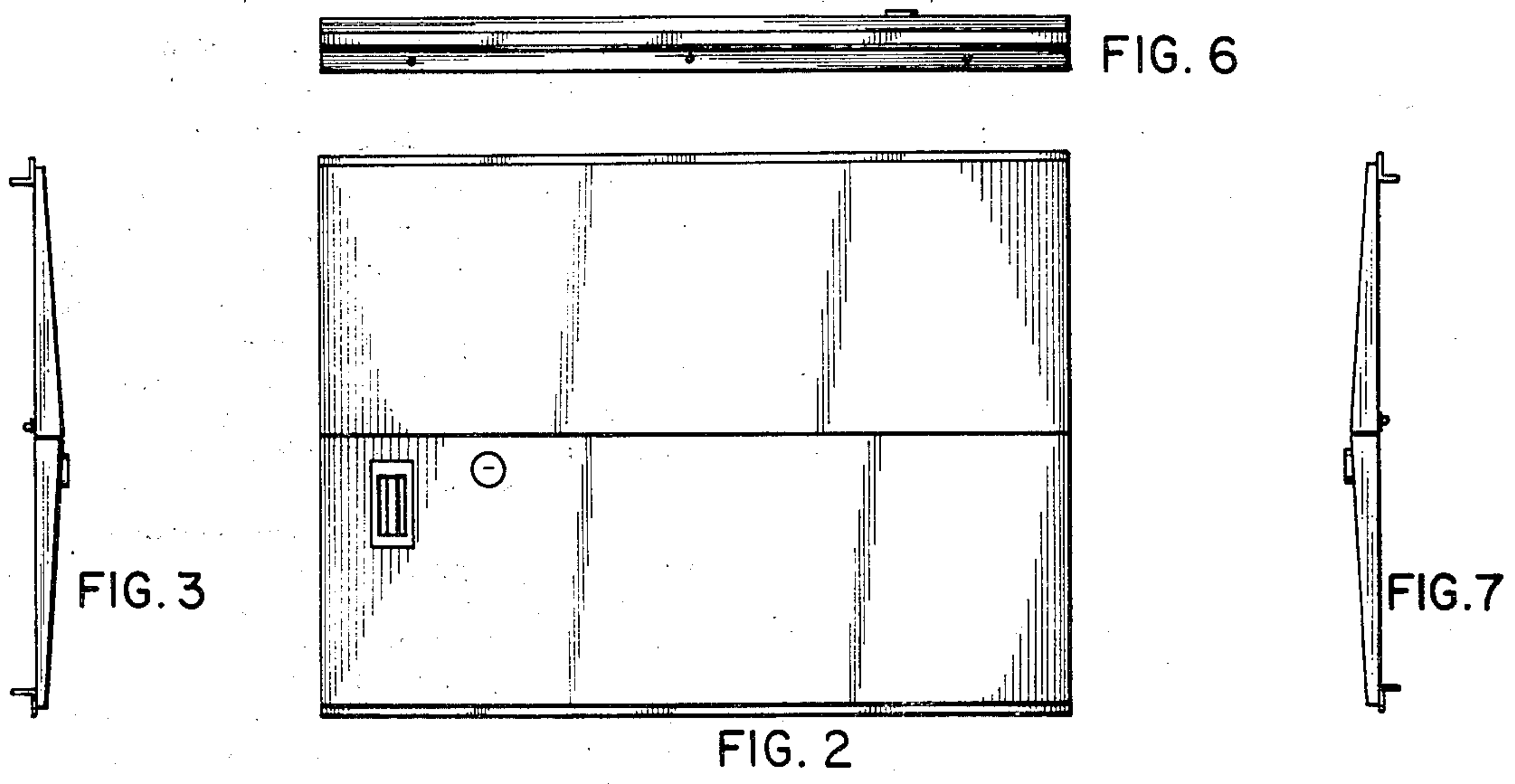


FIG. 4

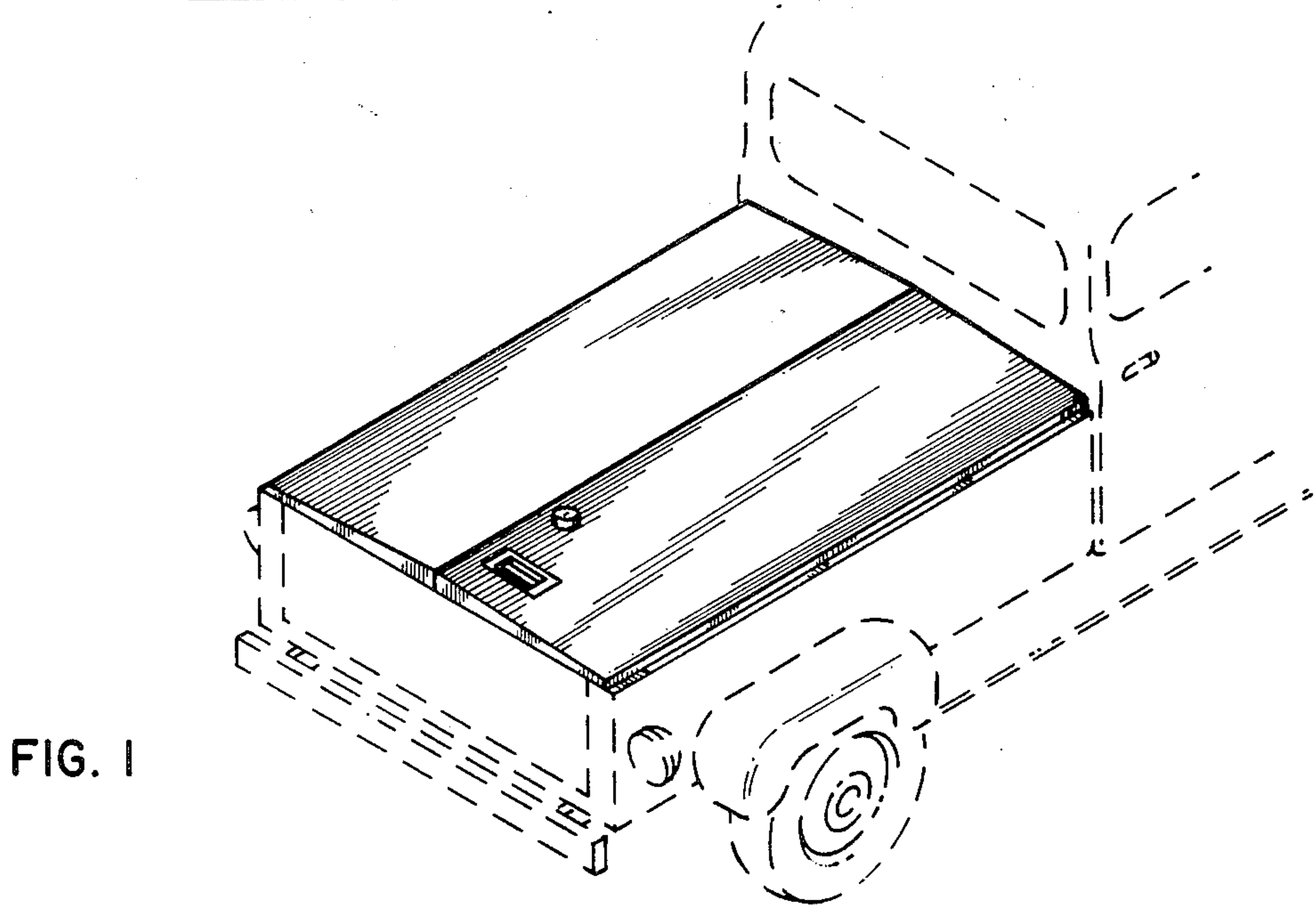


FIG. 1

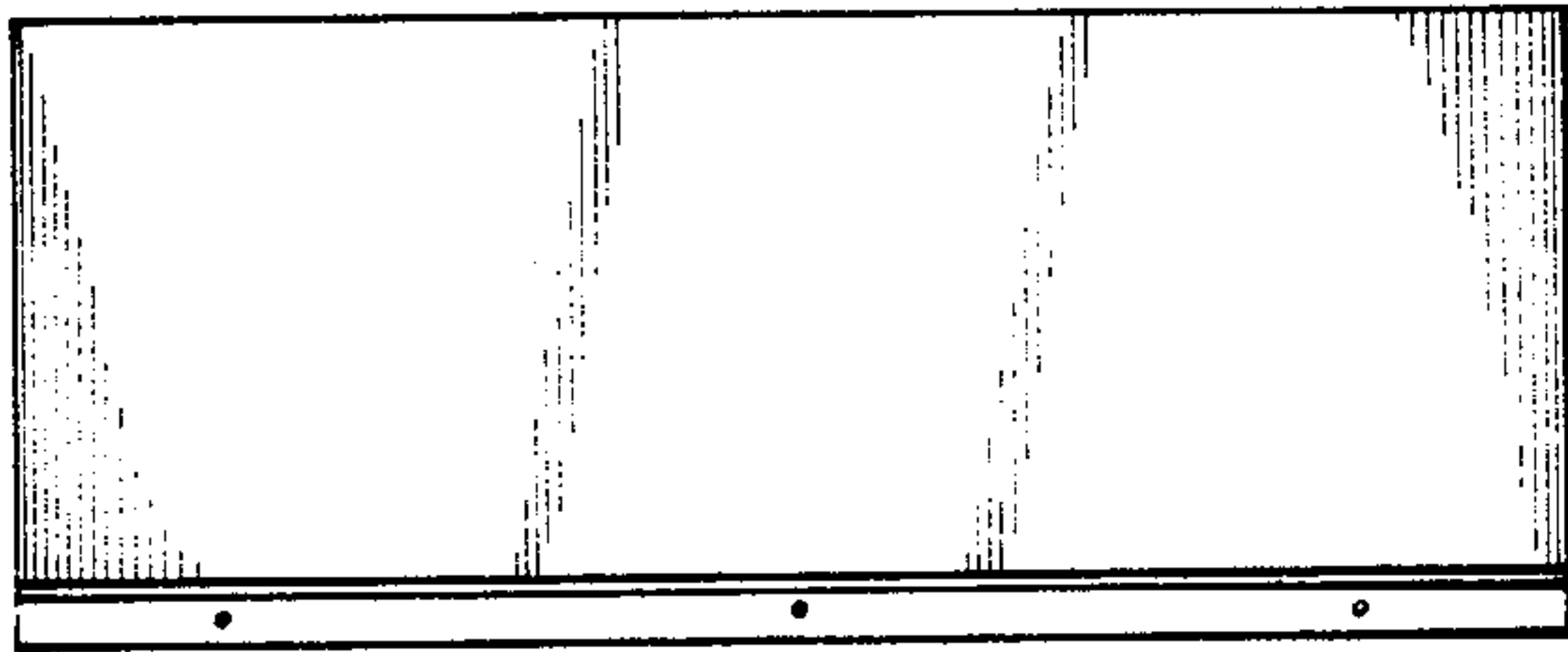


FIG. 13

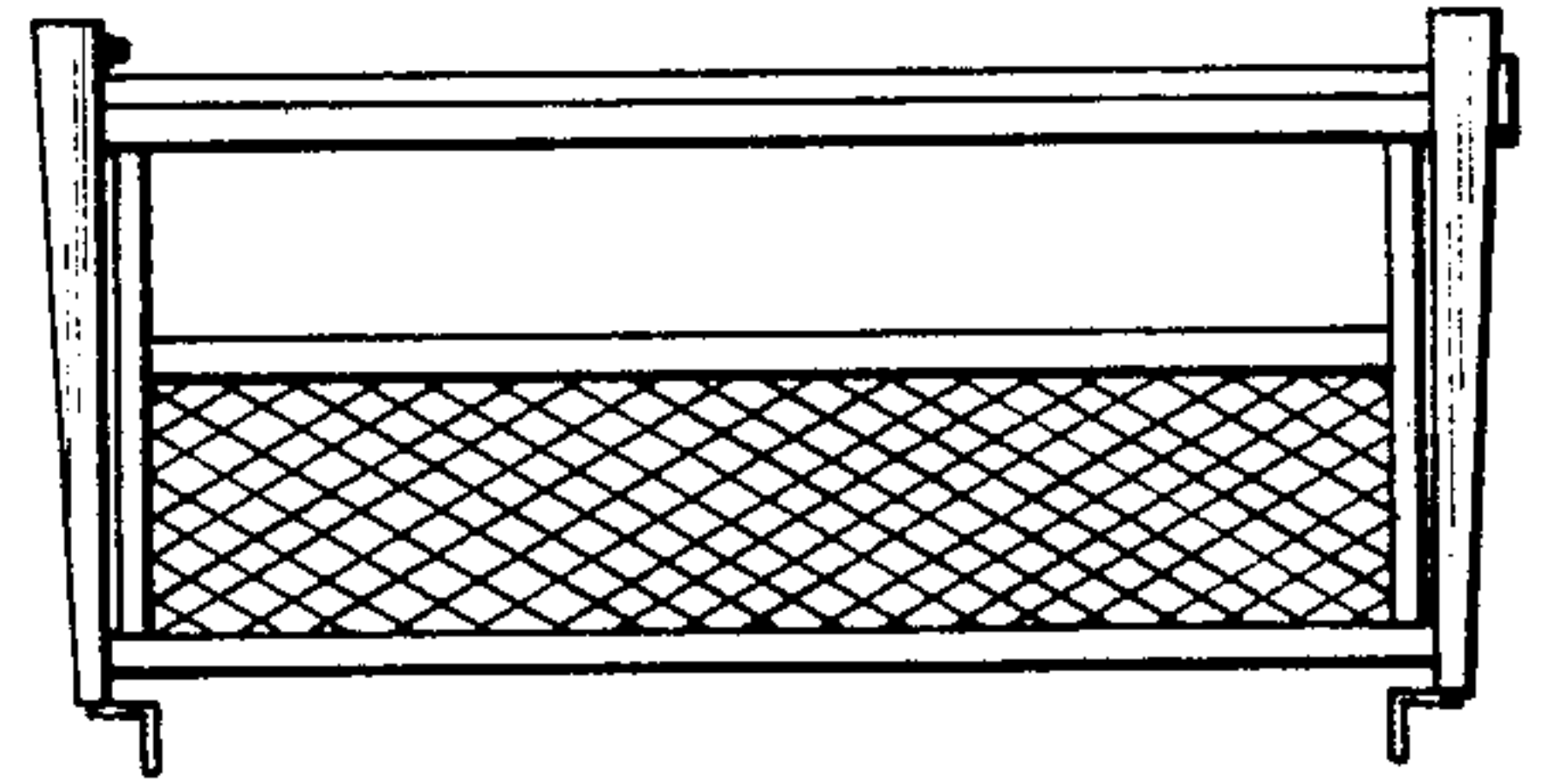


FIG. 10

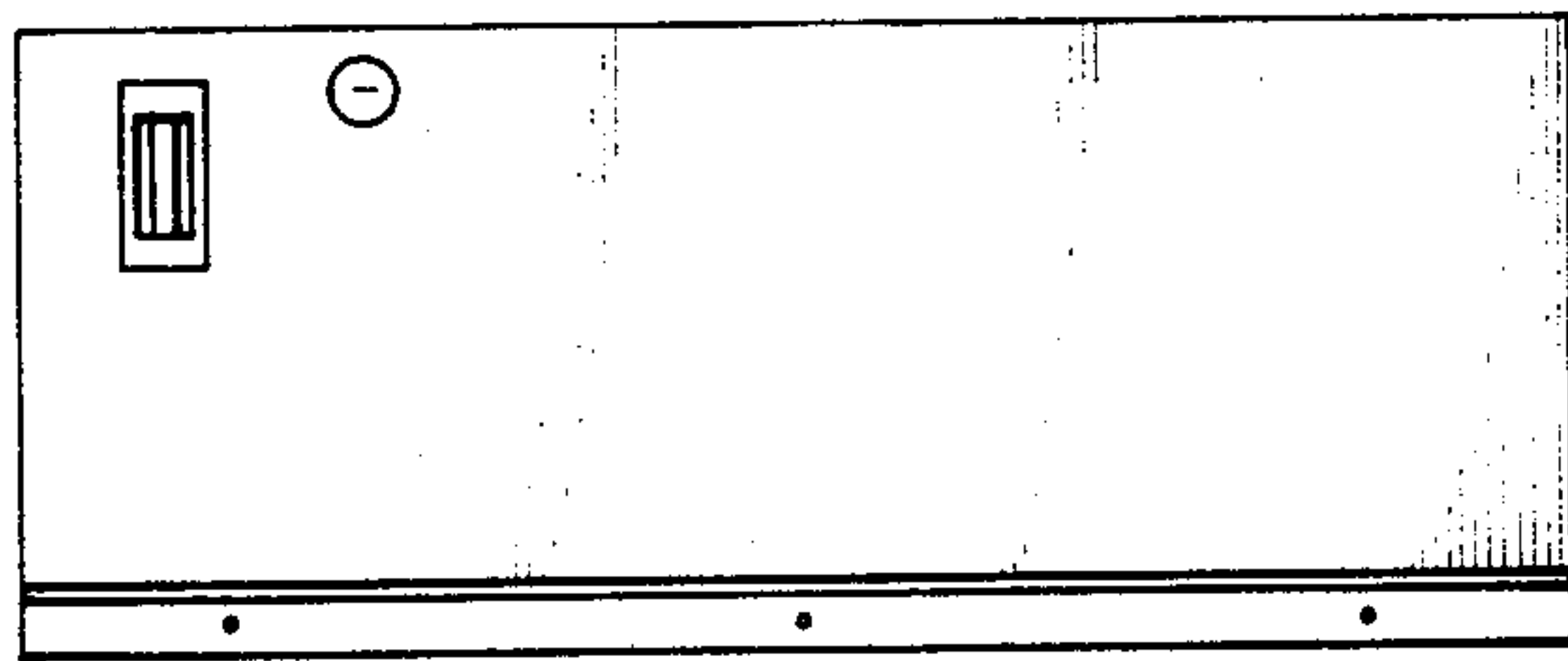


FIG. 12

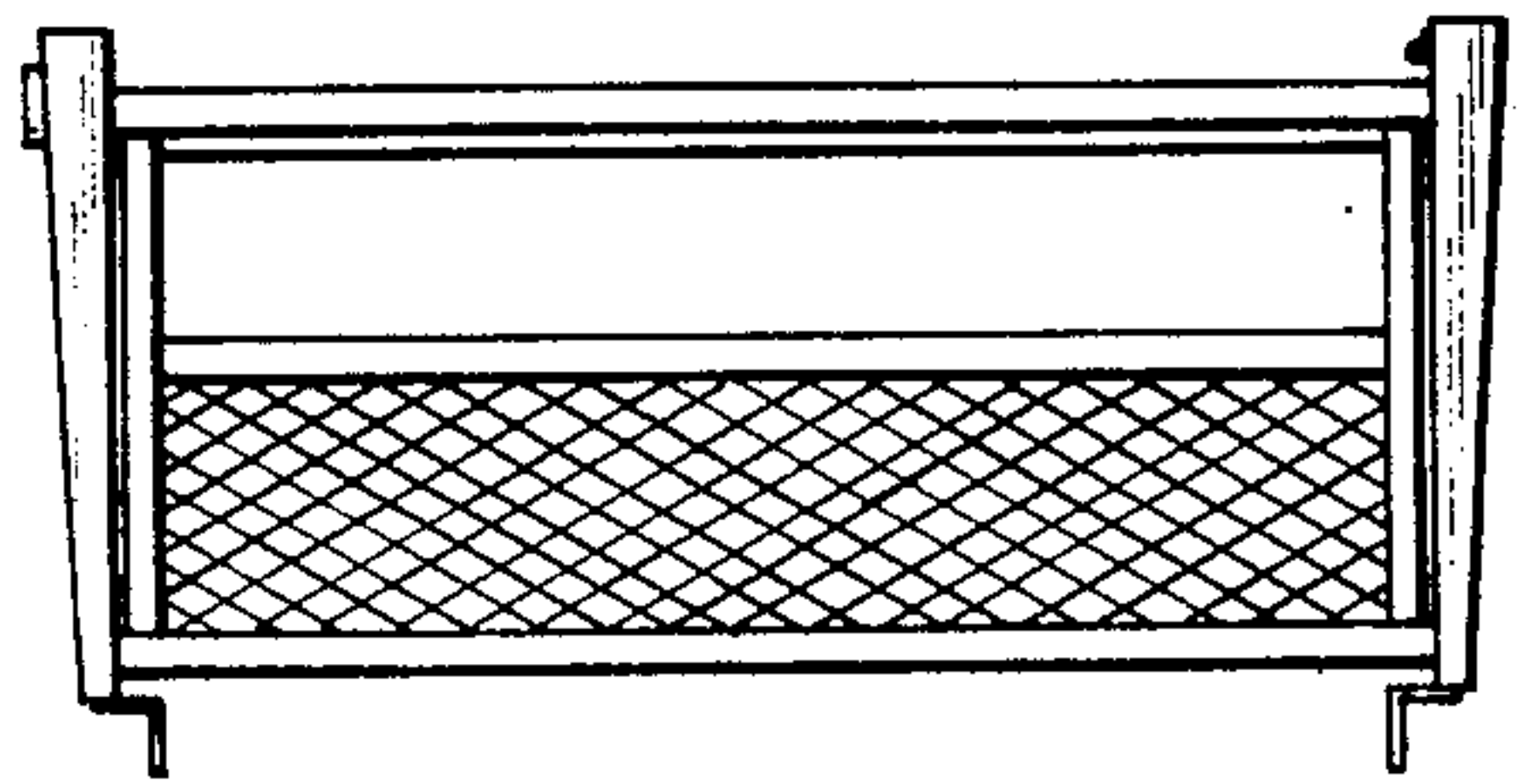


FIG. 14

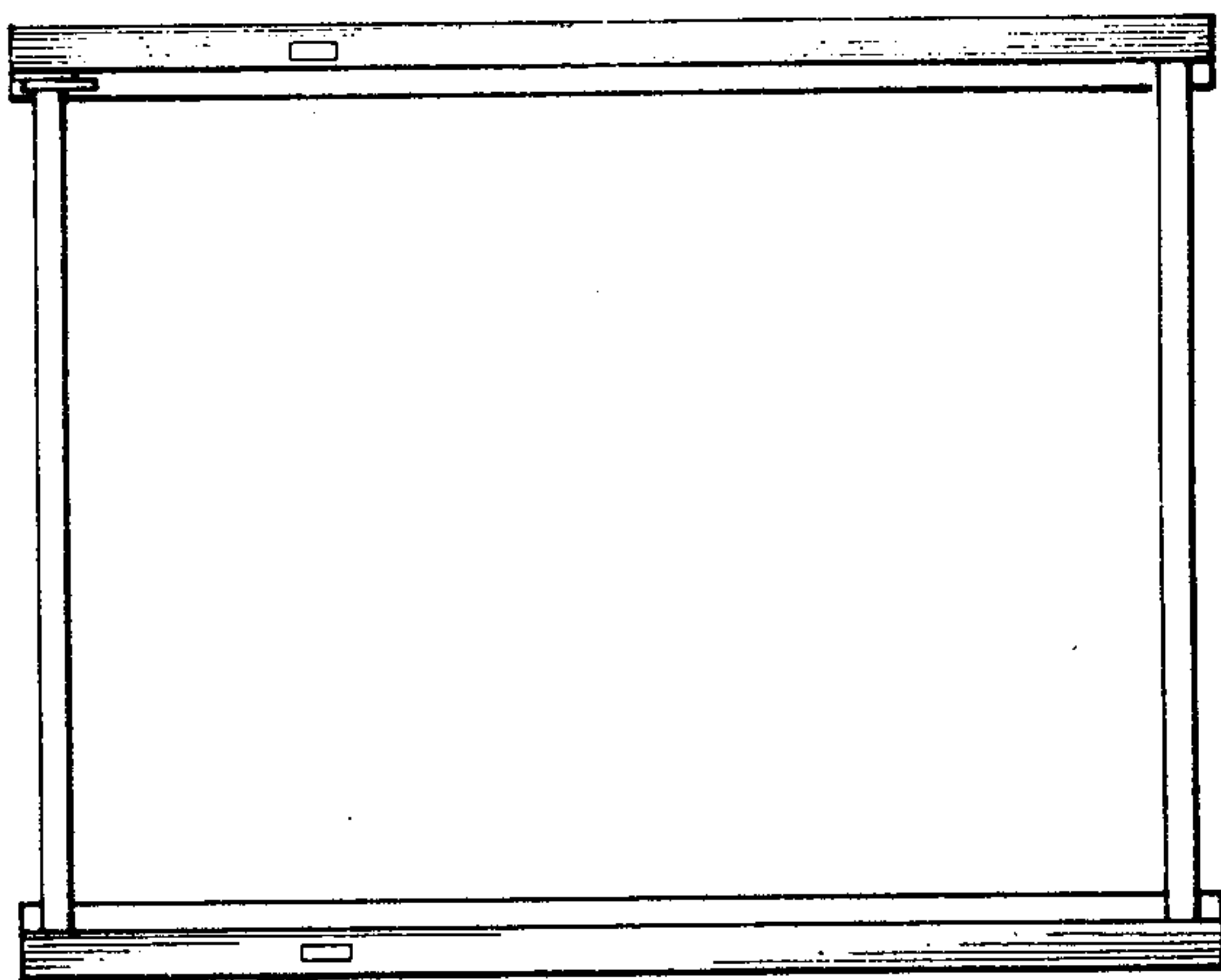


FIG. 9

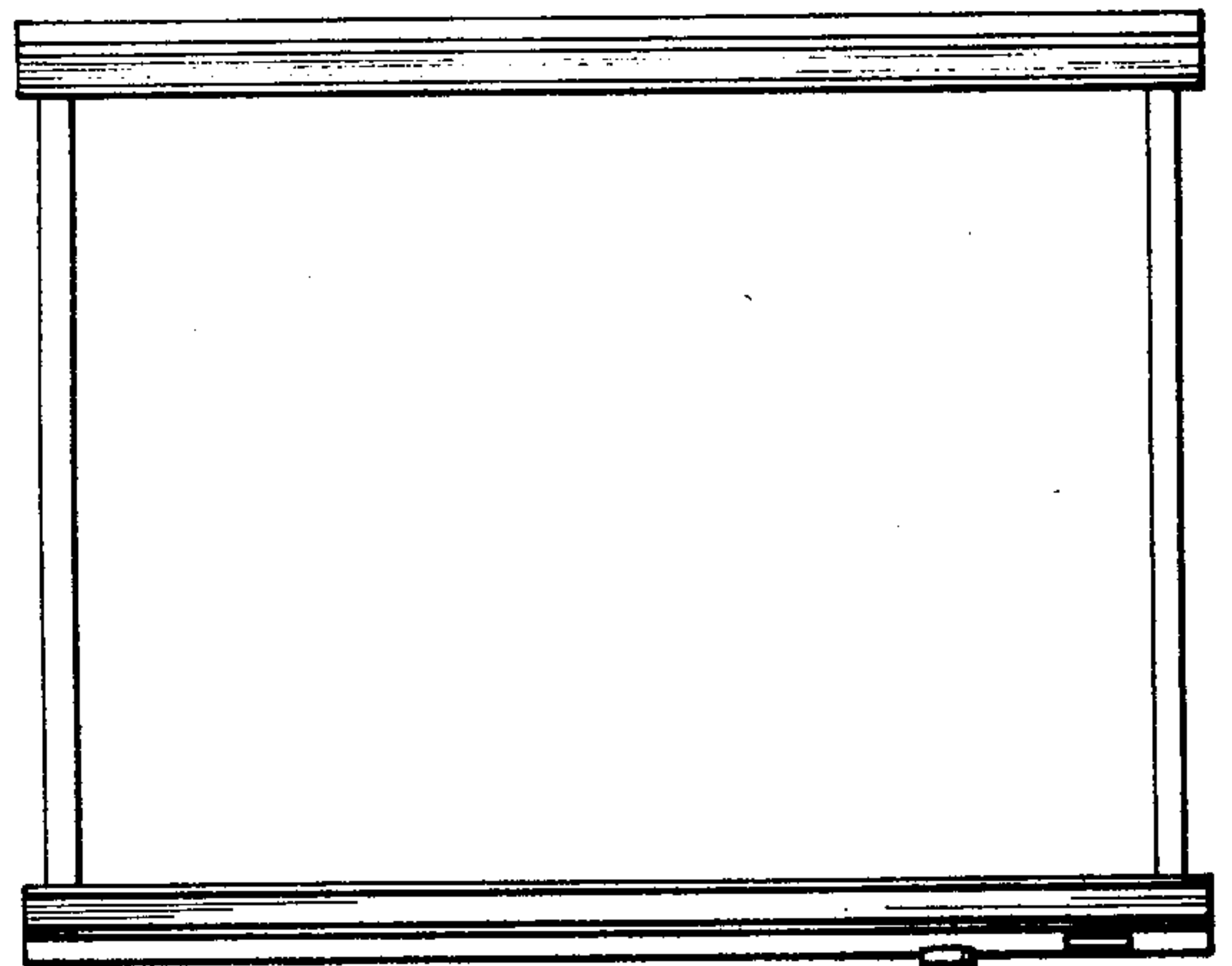


FIG. 11

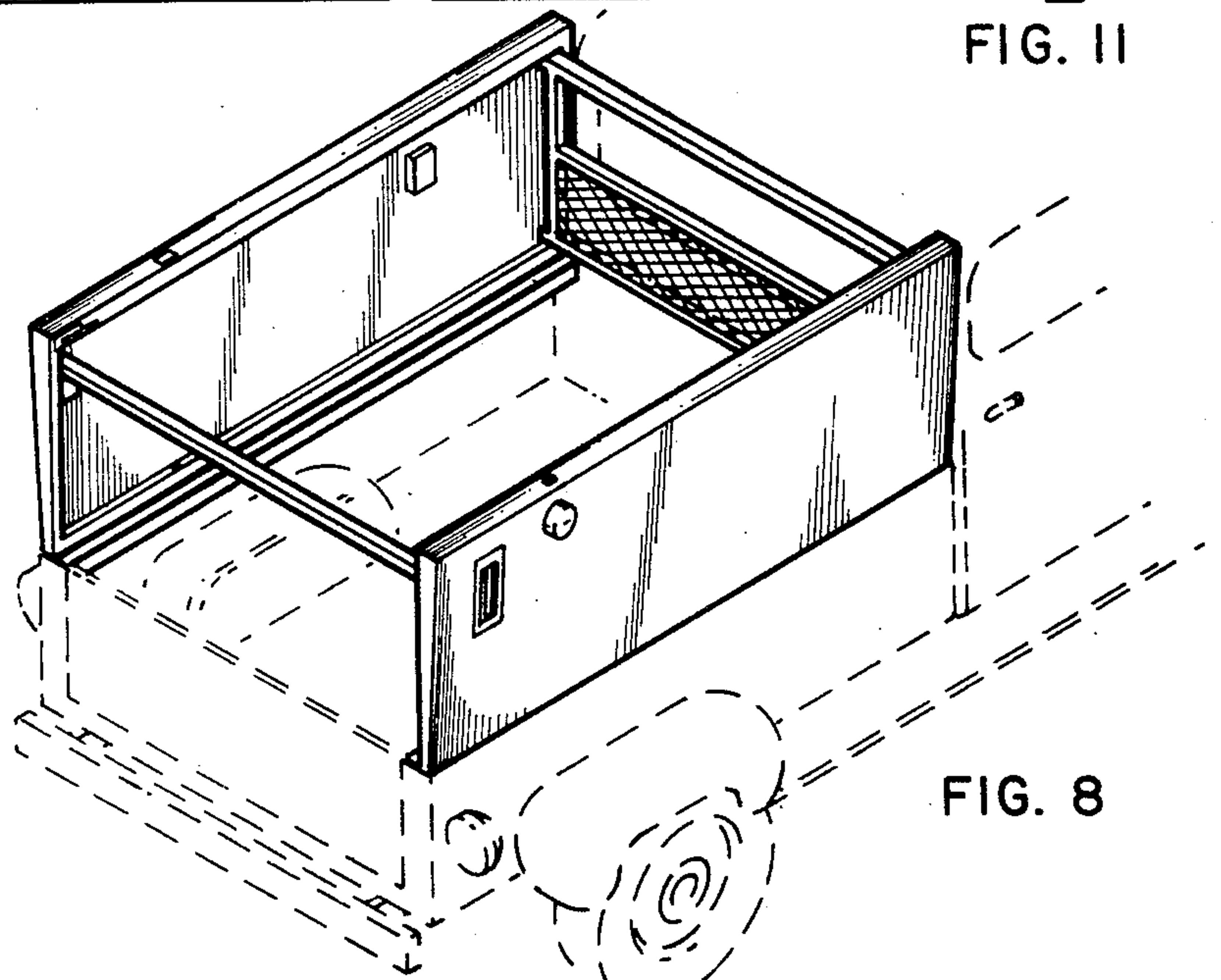


FIG. 8