

[54] COMBINED HOUSING FOR DOORBELL SWITCH, SIGNAL SYSTEM AND MESSAGE CABINET

[76] Inventor: Gary T. Wheeler, 5514 Briarwood Forest, Houston, Tex. 77088

[\*\*] Term: 14 Years

[21] Appl. No.: 549,386

[22] Filed: Nov. 7, 1983

[52] U.S. Cl. .... D10/116

[58] Field of Search ..... D6/312, 449, 511-512, D6/540, 553, 559-560, 573-574; 312/245-248; D13/32, 35, 40; D10/104, 106, 118, 116

[56] References Cited

U.S. PATENT DOCUMENTS

132,632	6/1976	Cogswell	312/245
1,263,961	4/1918	Thomas	D13/30
1,758,238	5/1930	Peterson	312/245
3,333,912	8/1967	Kunz et al.	312/248

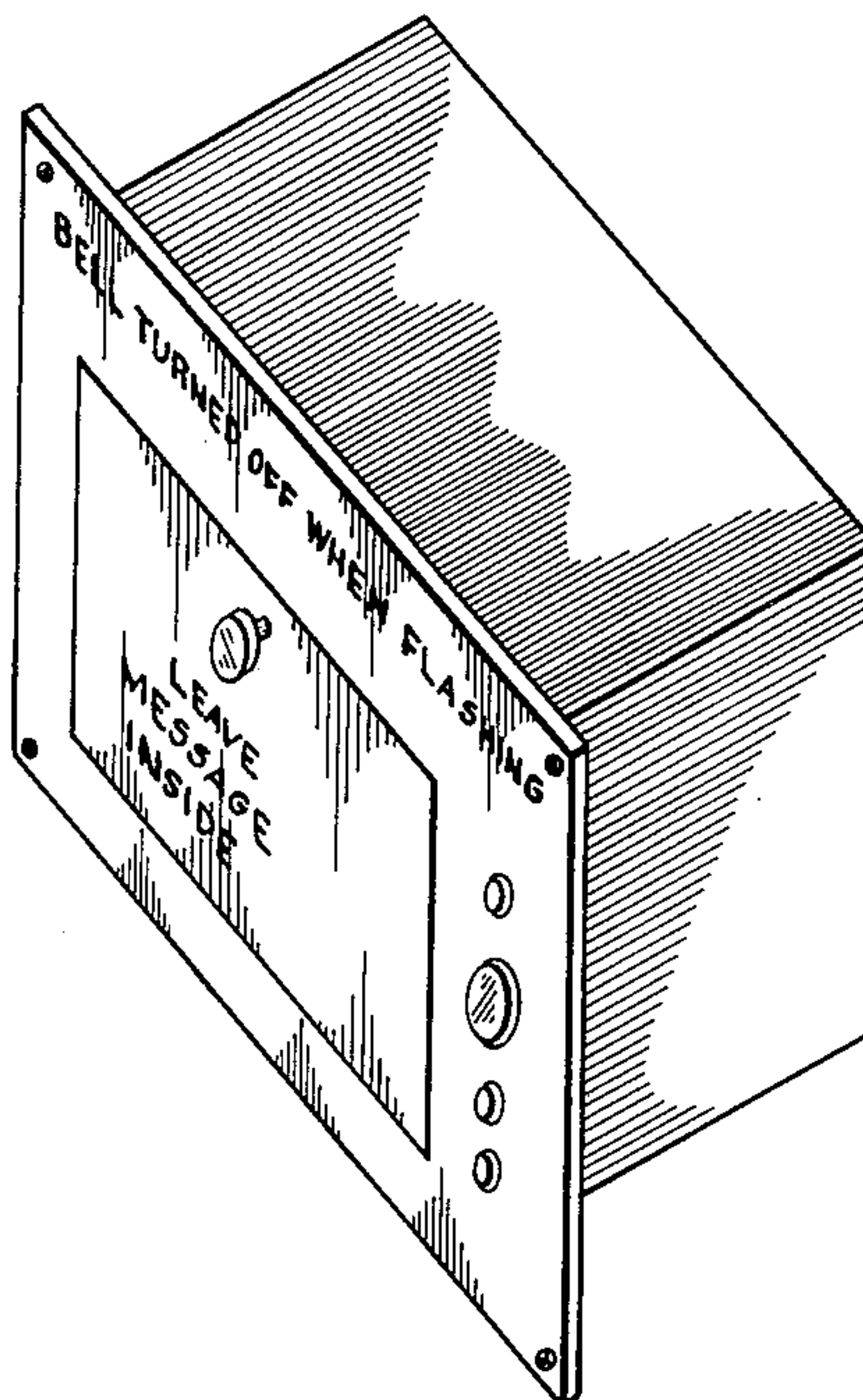
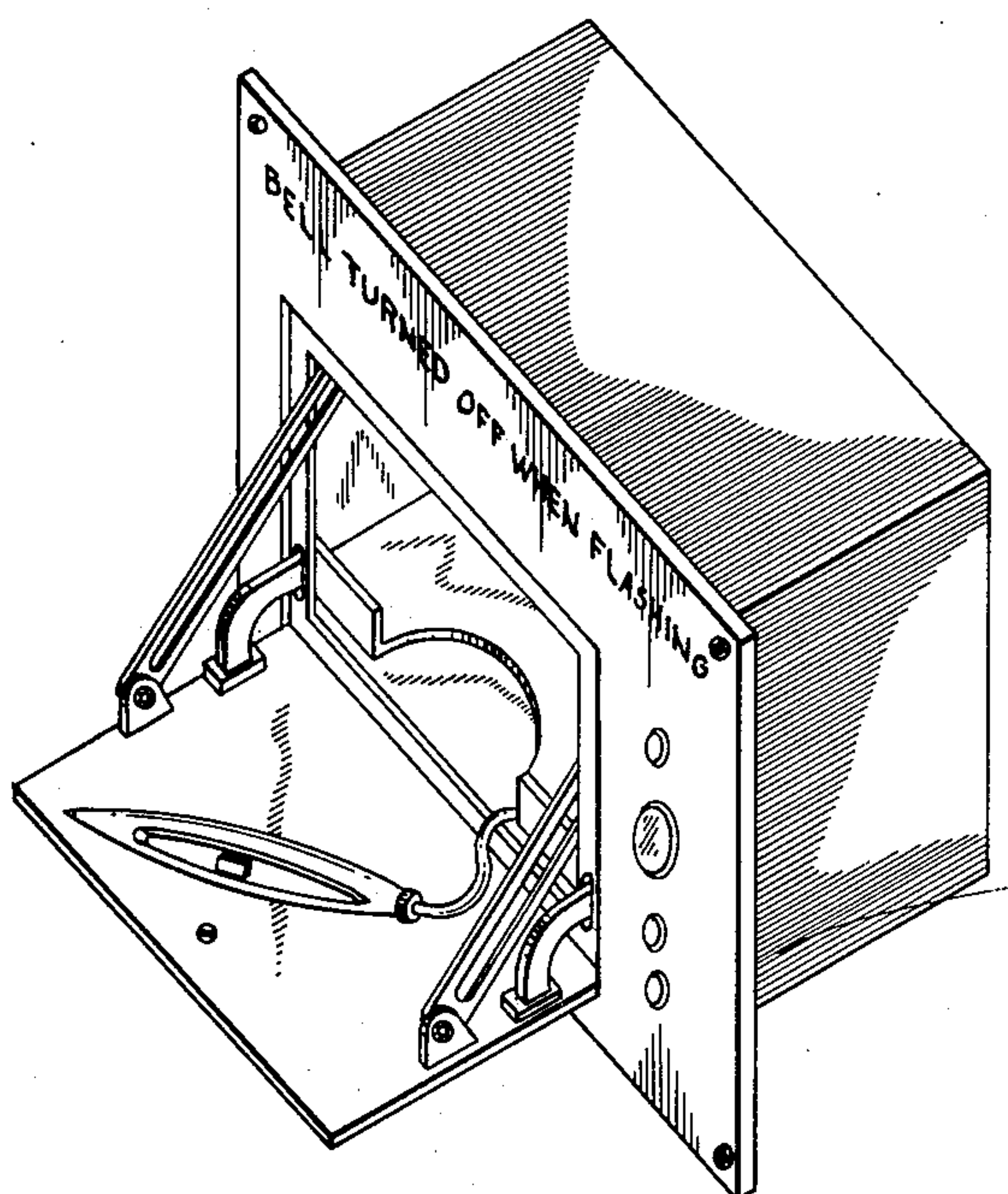
Primary Examiner—Wallace R. Burke  
Assistant Examiner—Ruth Takemoto  
Attorney, Agent, or Firm—Jack Darrell

[57] CLAIM

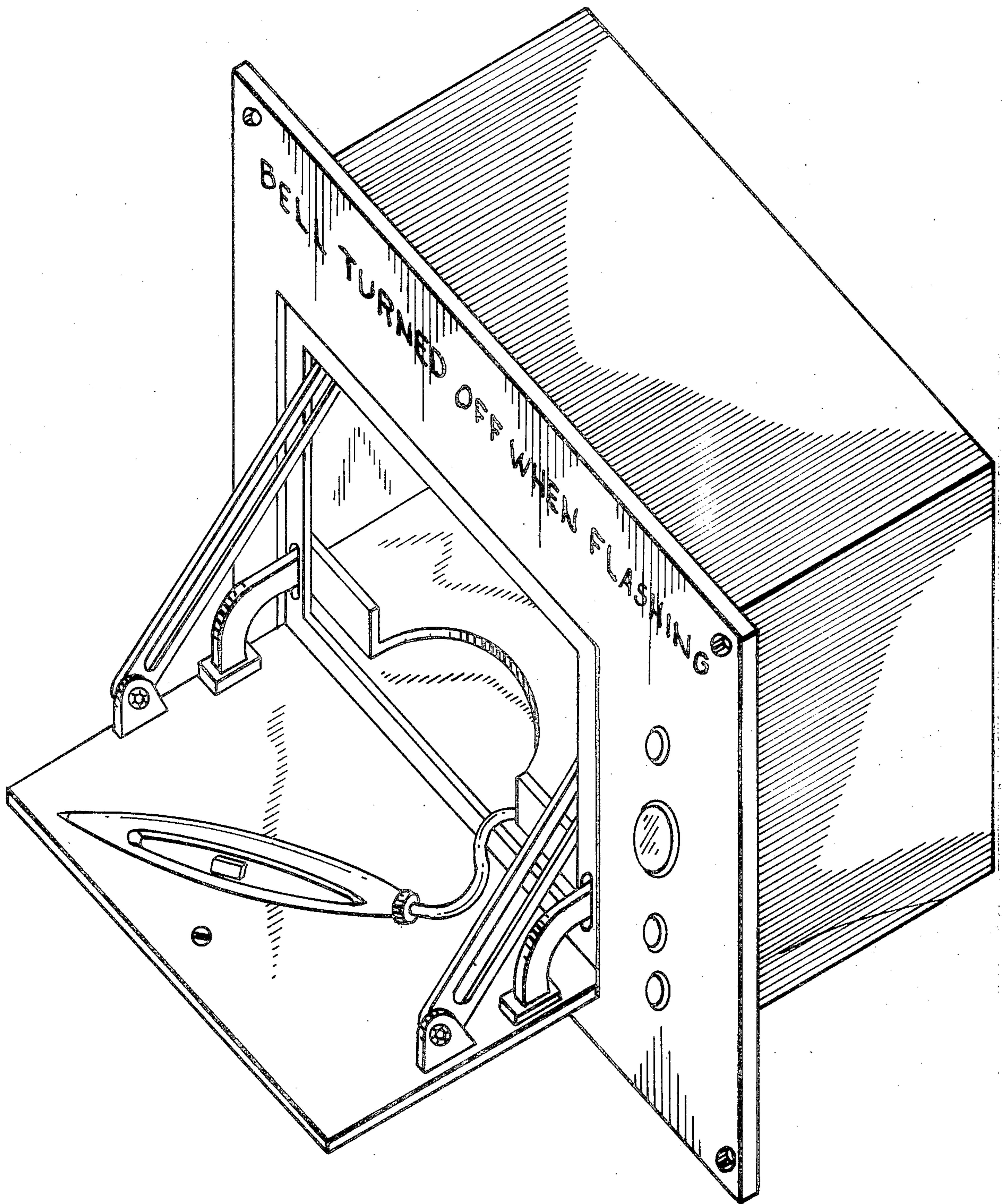
The ornamental design for a combined housing for doorbell switch, signal system and message cabinet, substantially as shown and described.

DESCRIPTION

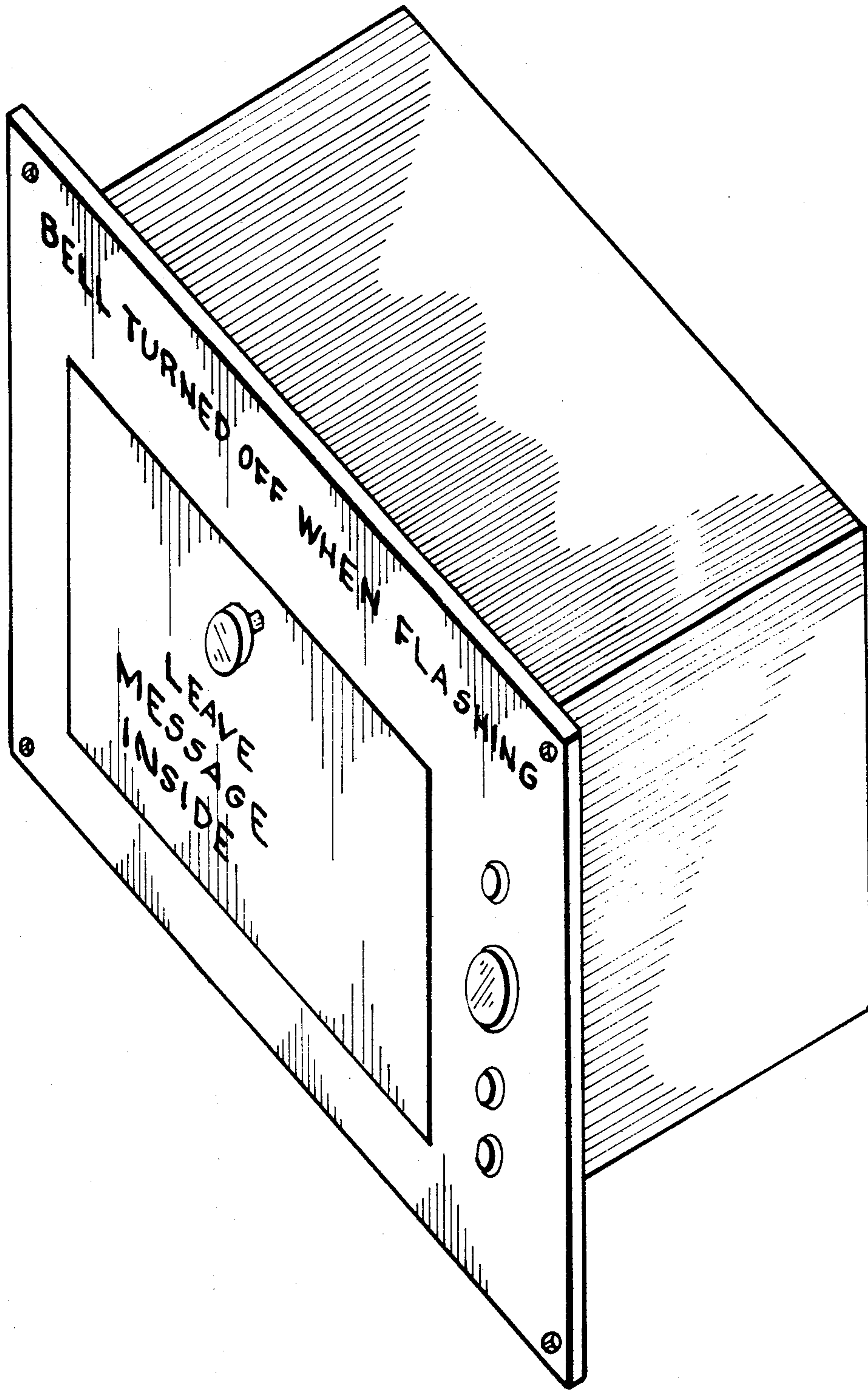
FIG. 1 is a top front perspective view of a combined housing for doorbell switch, signal system and message cabinet showing my new design, with the cover in an open position;  
FIG. 2 is a top front perspective thereof with the cover in the closed position;  
FIG. 3 is a front elevational view thereof;  
FIG. 4 is a top plan view thereof;  
FIG. 5 is a right side elevational view, the left side, but for lights and button switch, being a mirror image thereof;  
FIG. 6 is an end elevational view of a writing pen;  
FIG. 7 is a bottom plan view of the pen shown along the line 8-8 of FIG. 7;  
FIG. 8 is a side elevational view of the pen thereof; and  
FIG. 9 is a rear elevational view thereof.  
The pen is shown separately in FIGS. 7, 8 and 9 for clarity of illustration only and the line cord is shown fragmentarily for ease of illustration.



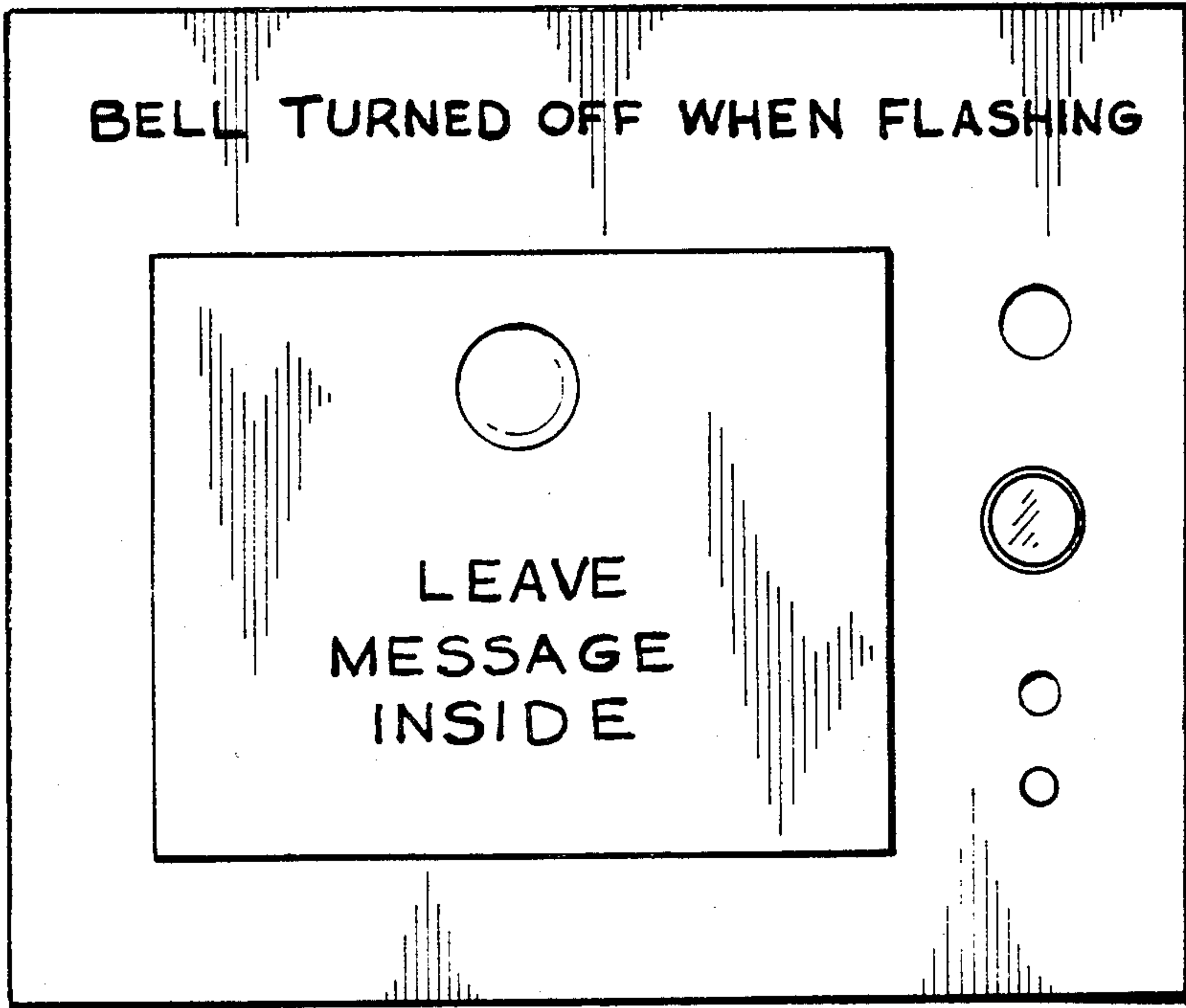




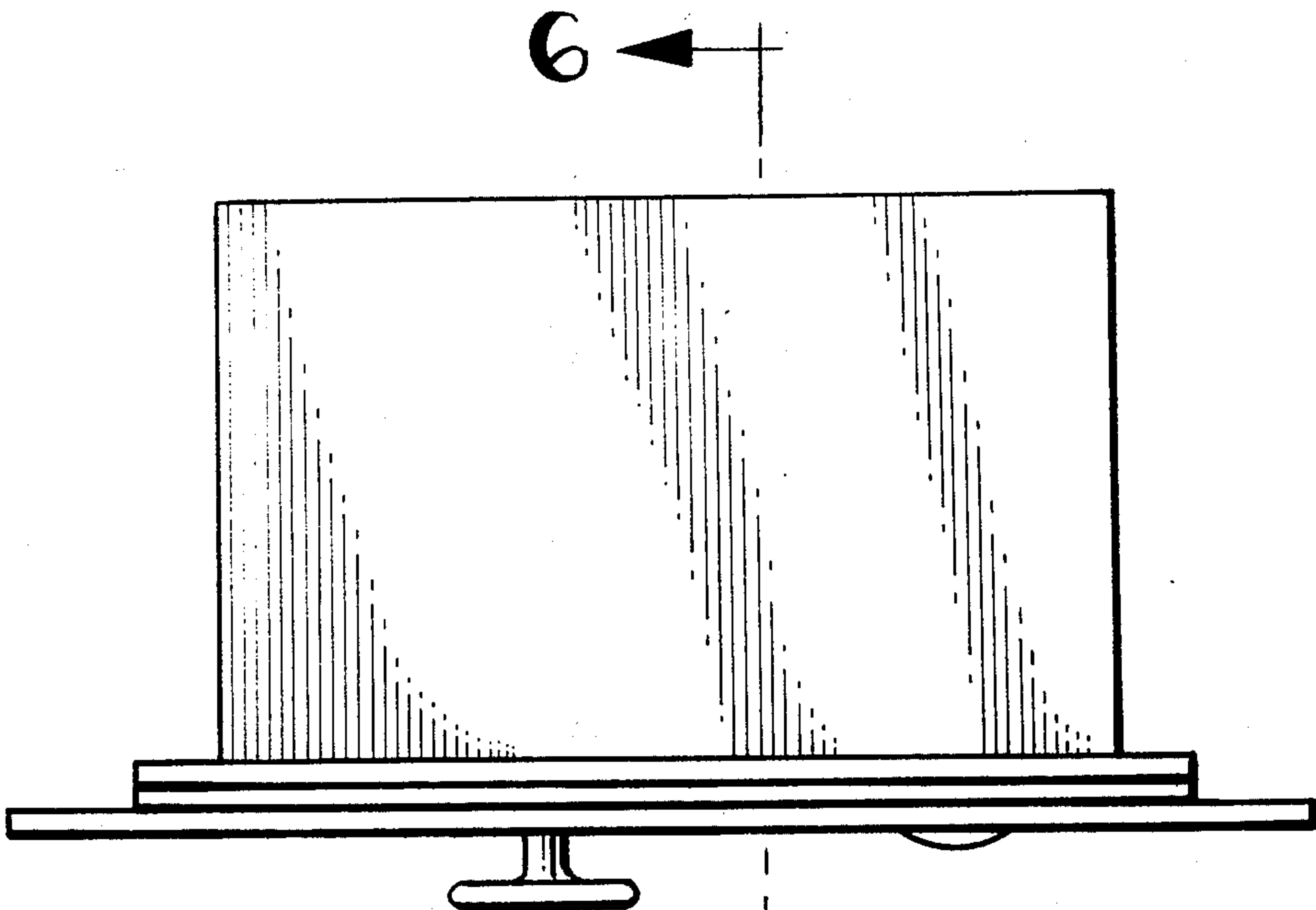
**FIG. 1**



**FIG. 2**

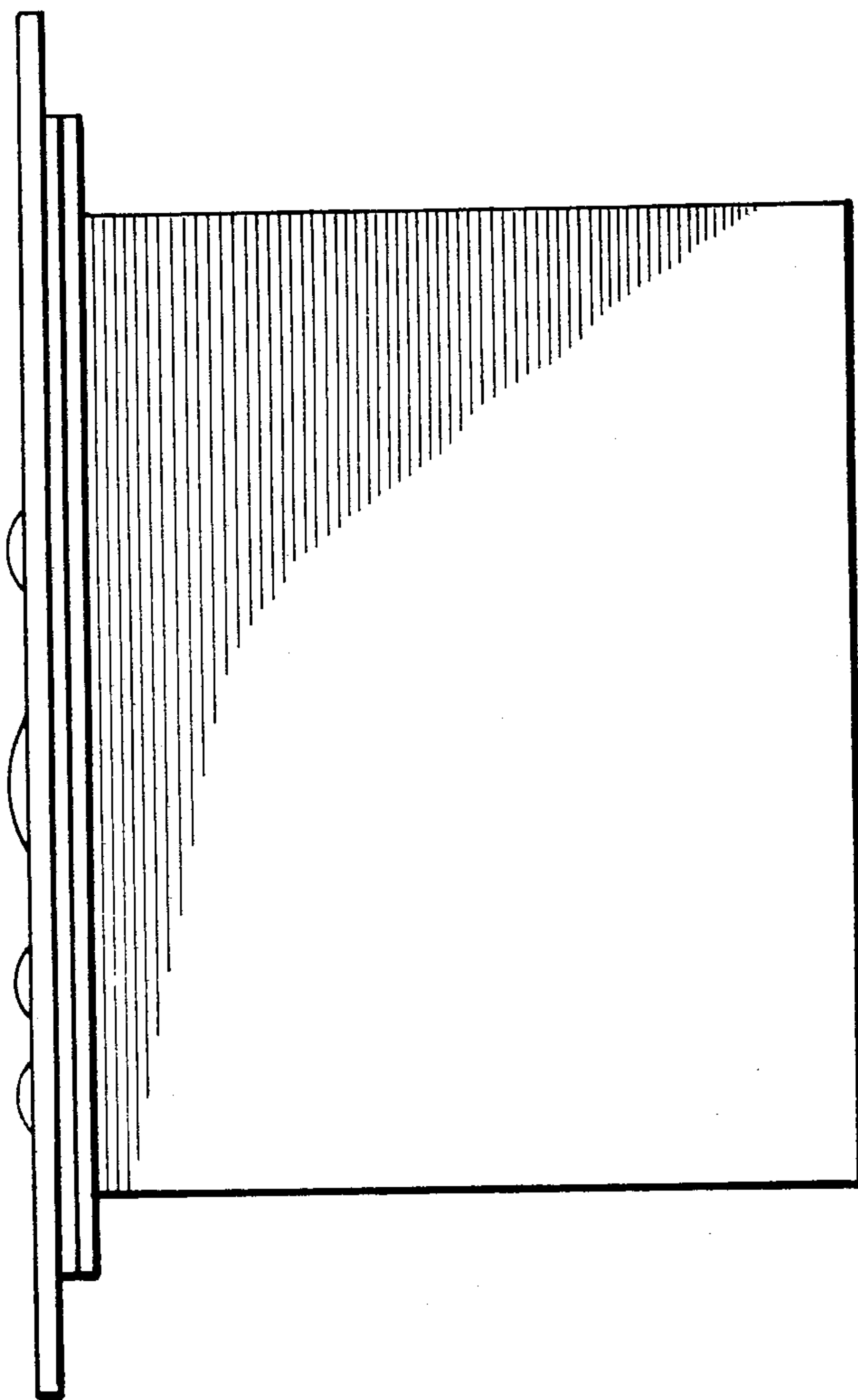


**FIG. 3**

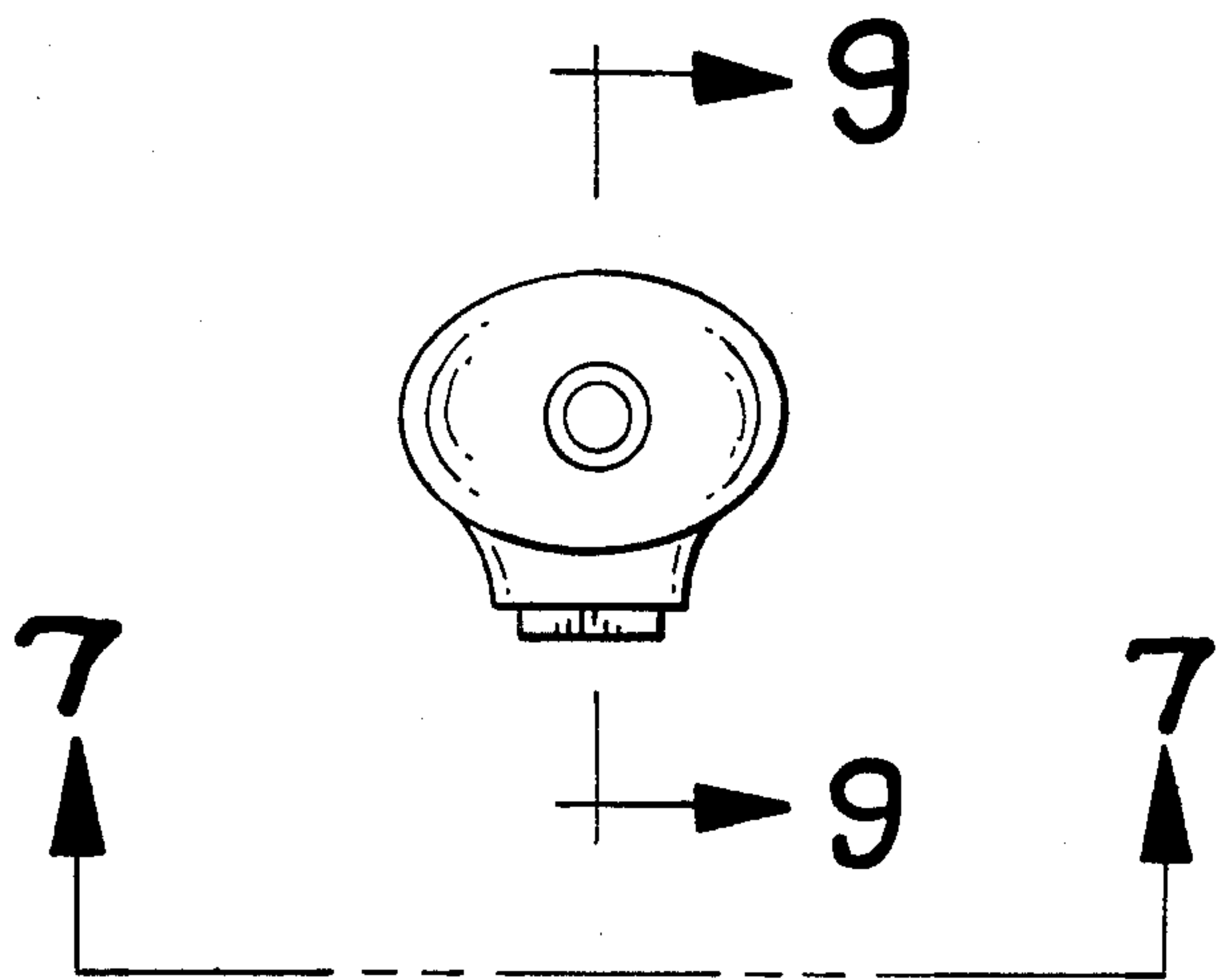


**FIG. 4**

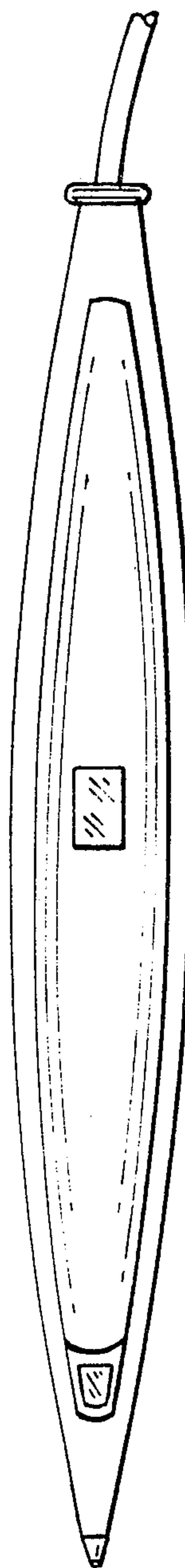




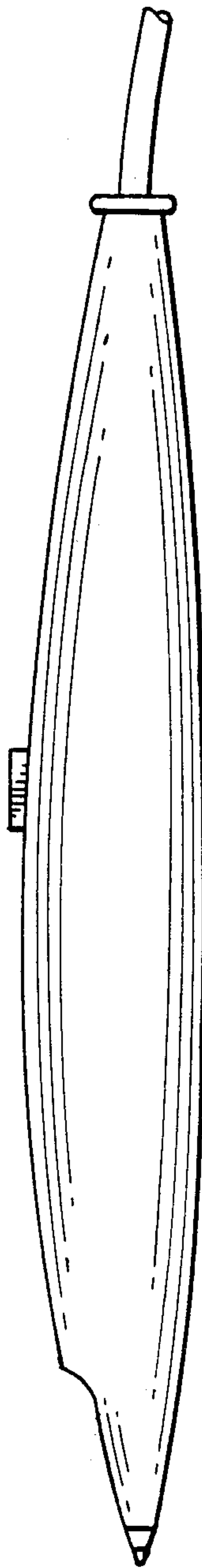
**FIG. 5**



**FIG. 6**



**FIG. 7**



**FIG. 8**

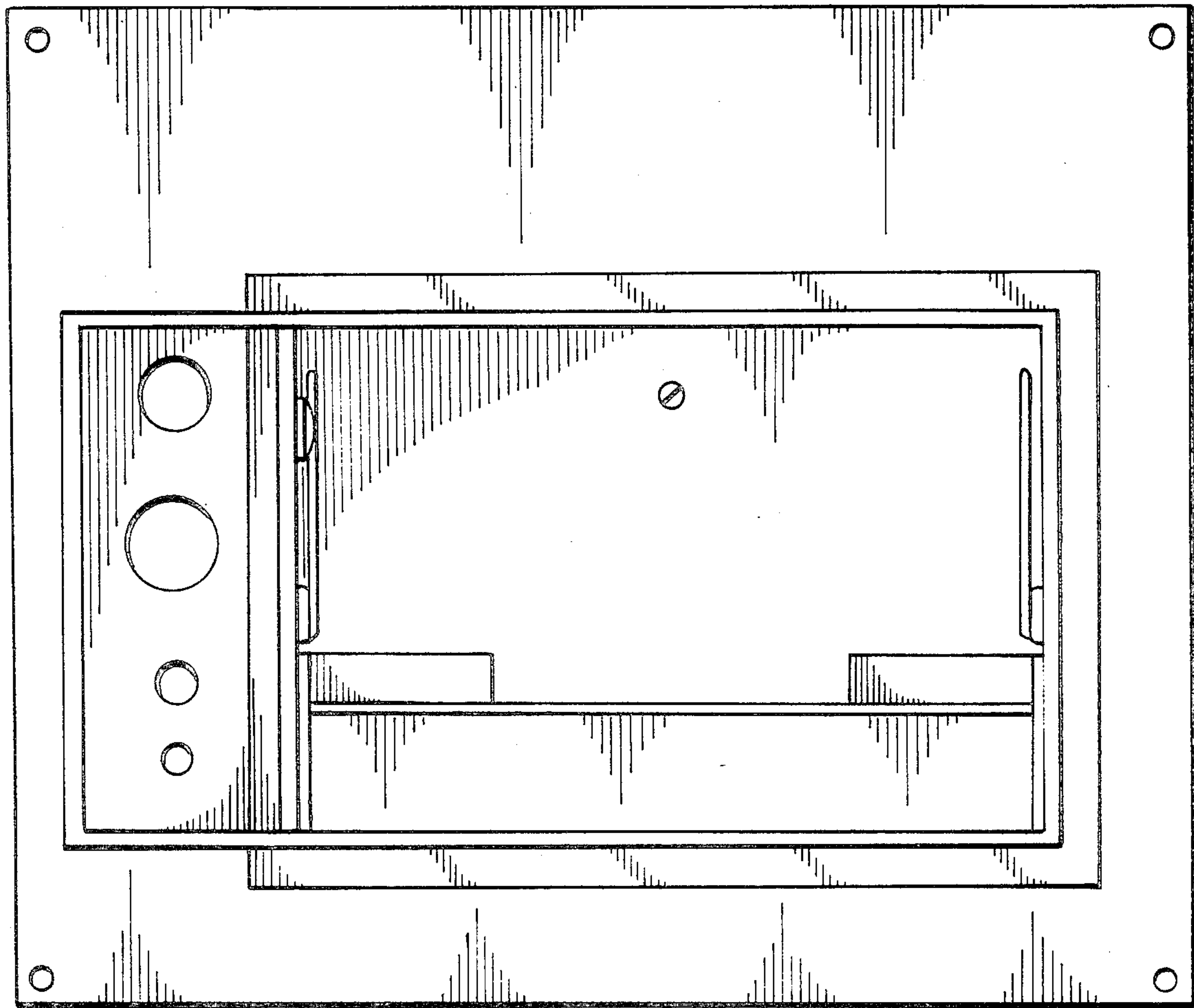


FIG. 9