

[54] MOUNTING CLIP FOR FLOWMETERS

[75] Inventor: Duane M. Kobos, LaPorte, Ind.

[73] Assignee: Dwyer Instruments, Inc., Michigan City, Ind.

[**] Term: 14 Years

[21] Appl. No.: 622,483

[22] Filed: Jun. 20, 1984

[52] U.S. Cl. D10/103; D10/96

[58] Field of Search D10/96, 101-103, D10/46; 73/861.55, 272, 273, 274, 201

[56] References Cited

U.S. PATENT DOCUMENTS

2,258,023	10/1941	McKernon	73/861.55
3,203,240	8/1965	McGrath	73/861.55
3,342,068	9/1967	Metzger	73/861.55
3,416,370	12/1968	Kaucher	73/861.55
3,633,421	1/1972	Phillips	73/861.55
3,675,481	7/1972	Phillips	73/861.55

3,691,835	9/1972	Metzger	73/861.55
4,559,834	12/1985	Phillips	73/861.55

Primary Examiner—Nelson C. Holtje
Attorney, Agent, or Firm—Mann, McWilliams, Zummer & Sweeney

[57] CLAIM

The ornamental design for mounting clip for flowmeters, substantially as shown.

DESCRIPTION

FIG. 1 is a top perspective view of a mounting clip, showing my new design;
FIG. 2 is a bottom perspective view thereof;
FIG. 3 is a top plan view thereof;
FIG. 4 is a bottom plan view thereof;
FIG. 5 is a side elevational view thereof as taken from line 5—5 of FIG. 3;
FIG. 6 is a right side elevational view of FIG. 5;
FIG. 7 is a side elevational view thereof as taken from line 7—7 of FIG. 3;
FIG. 8 is a right side elevational view of FIG. 7.

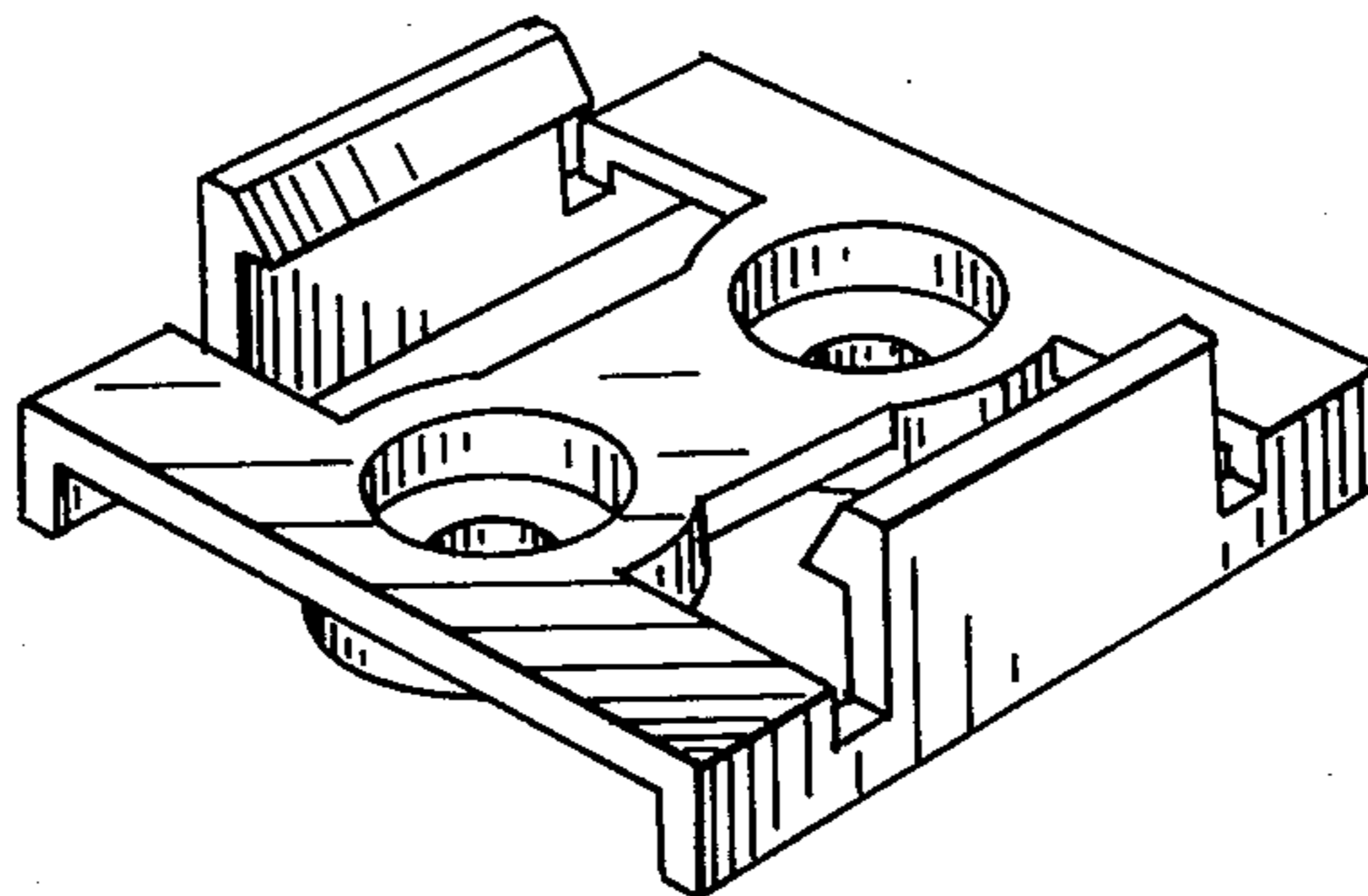


FIG. 1

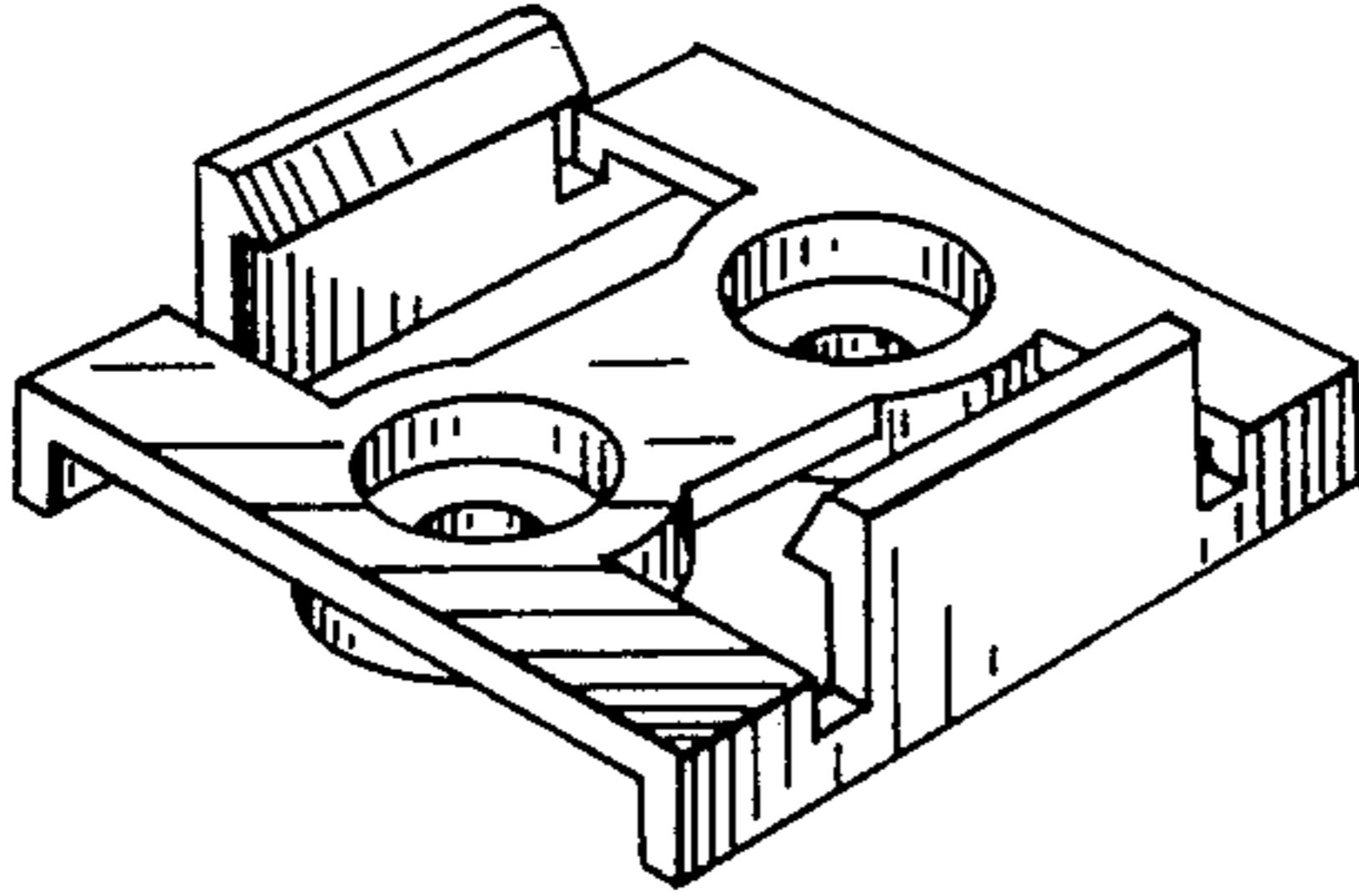


FIG. 2

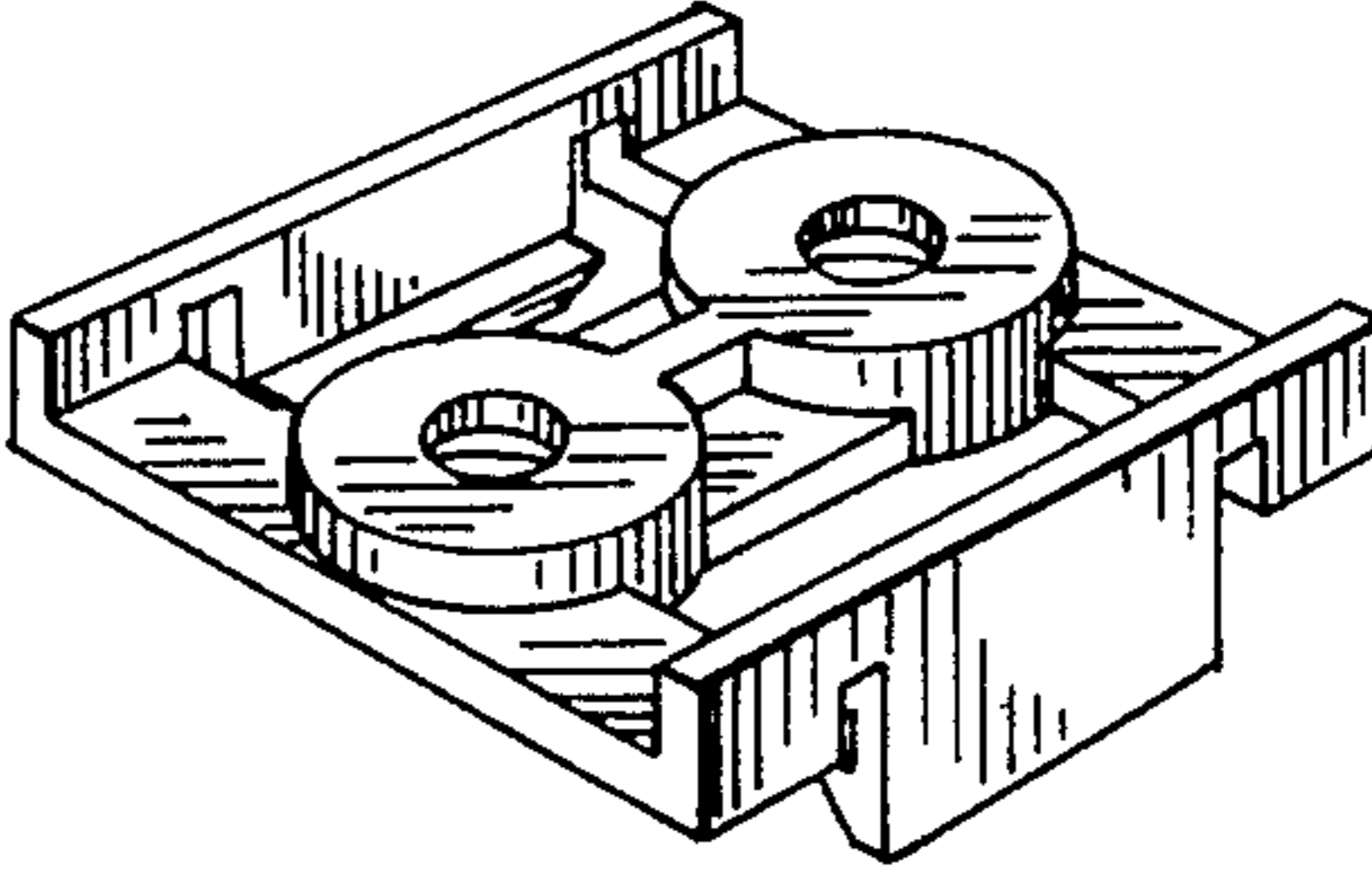


FIG. 3

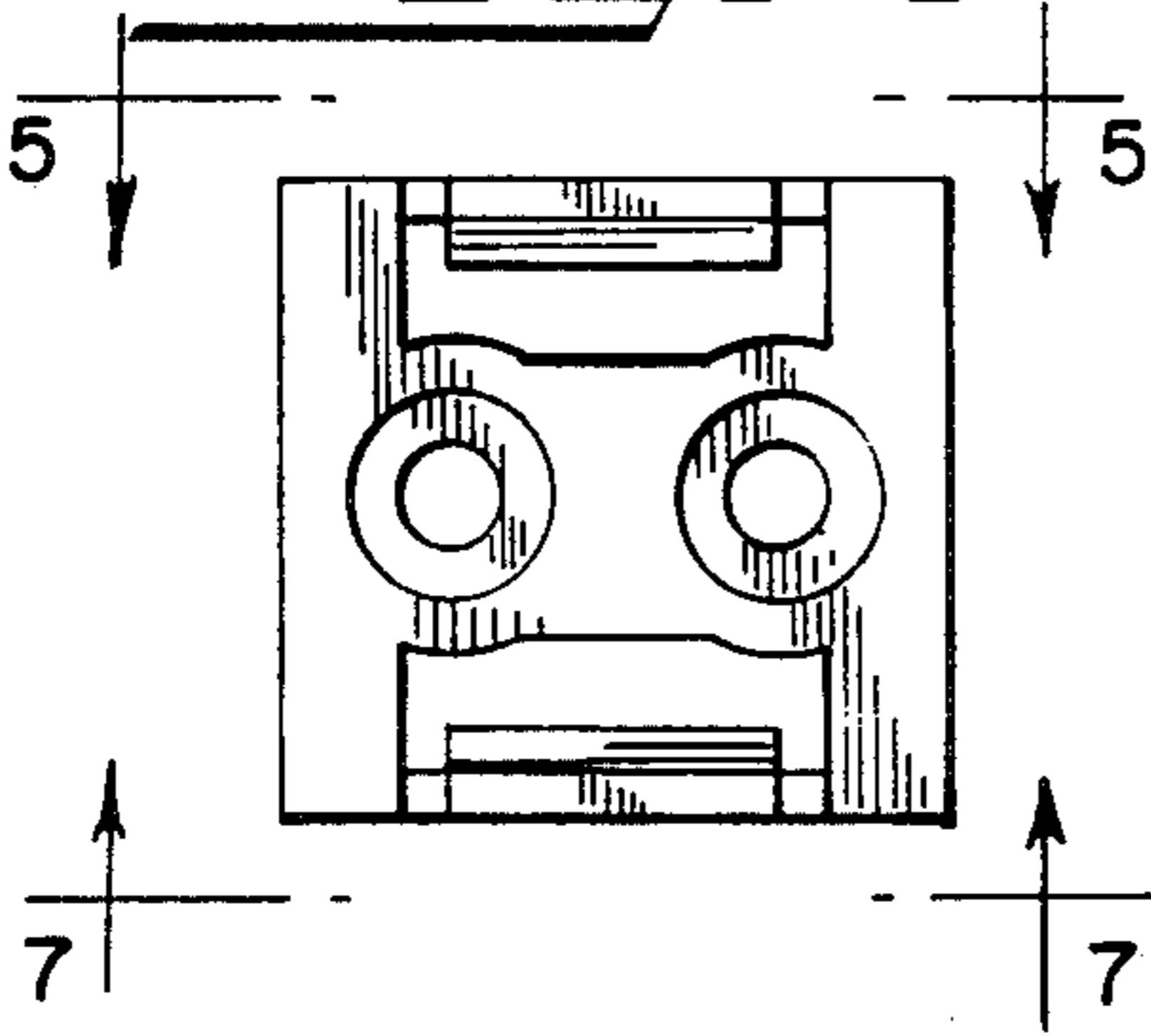


FIG. 4

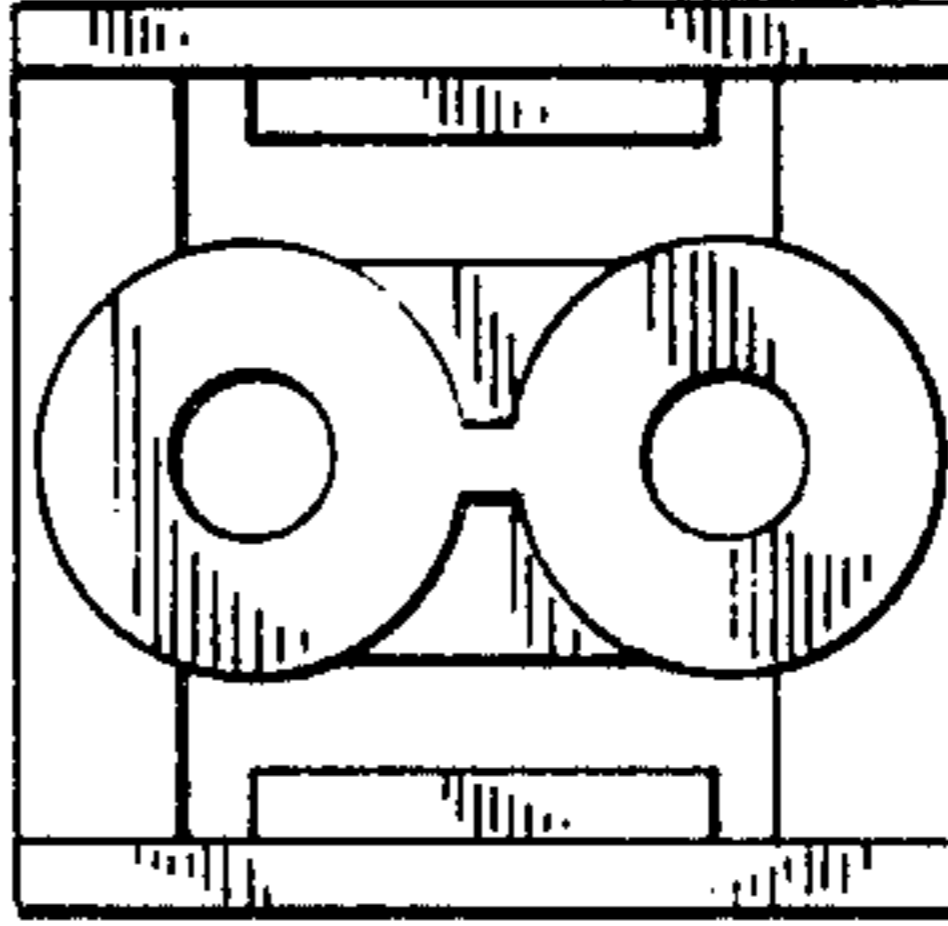


FIG. 5

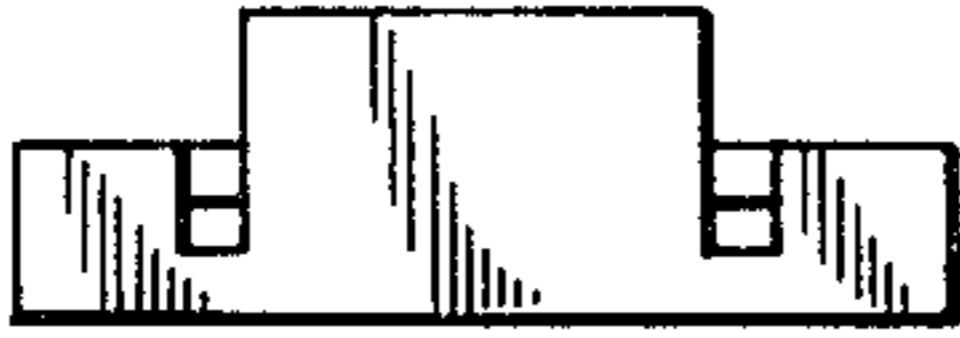


FIG. 6



FIG. 7

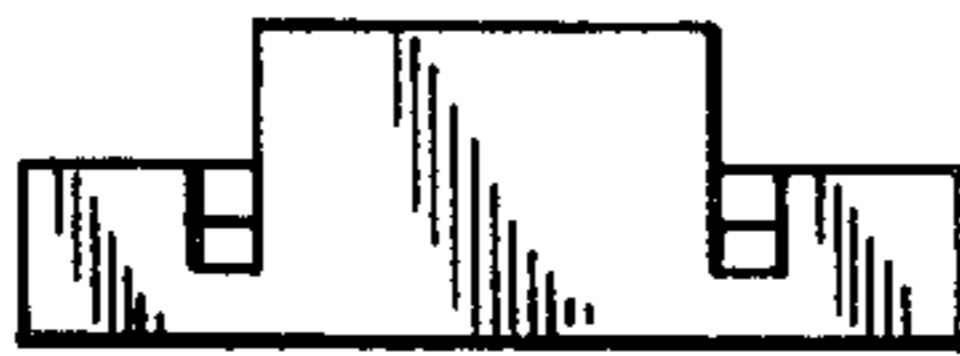


FIG. 8

