

[54] **TEMPERATURE MEASUREMENT HOUSING**

[75] **Inventors: Niels Klagenberg, Hørsholm; Bjørn C. Christensen, Copenhagen, both of Denmark**

[73] **Assignee: ISS Clorius International a.s., Skovlunde, Denmark**

[**] **Term: 14 Years**

[21] **Appl. No.: 592,922**

[22] **Filed: Mar. 23, 1984**

[52] **U.S. Cl. D10/60; D10/58; D10/52**

[58] **Field of Search D10/60, 58, 102, 103, D10/52-53, 56; 374/187, 189, 190, 194, 204, 208, 100, 109, 133**

[56] **References Cited**

U.S. PATENT DOCUMENTS

D. 137,302	2/1944	Dailey	D10/58
D. 254,780	4/1980	Mueller	D10/58
D. 256,563	8/1980	Goldman	D10/58
D. 270,431	9/1983	Polson	D10/58
D. 275,084	8/1984	Goldman	D10/58
398,851	3/1889	Schulze-Berge	374/190 X
3,074,275	1/1963	Hobin	374/189 X
3,196,684	7/1965	Vernon	374/189

3,469,451 9/1969 Eizenberg 374/194

FOREIGN PATENT DOCUMENTS

0190460 7/1937 Switzerland 374/189

OTHER PUBLICATIONS

Clorius brochure, pp. 11-12, picture and specification of "techem" Heat Meter.

Metrona brochure, Model 4272 heat meter, 1 page.

Kundo brochure, Model HKVE 1650 and 942/1500 heat meters 2 pages.

Minol brochure Model 4236 heat meter, 2 pages.

Primary Examiner—Nelson C. Holtje

Attorney, Agent, or Firm—Lewis H. Eslinger

[57] **CLAIM**

The ornamental design for a temperature measurement housing, as shown and described.

DESCRIPTION

FIG. 1 is a front elevational view of a temperature measurement housing showing our new design;

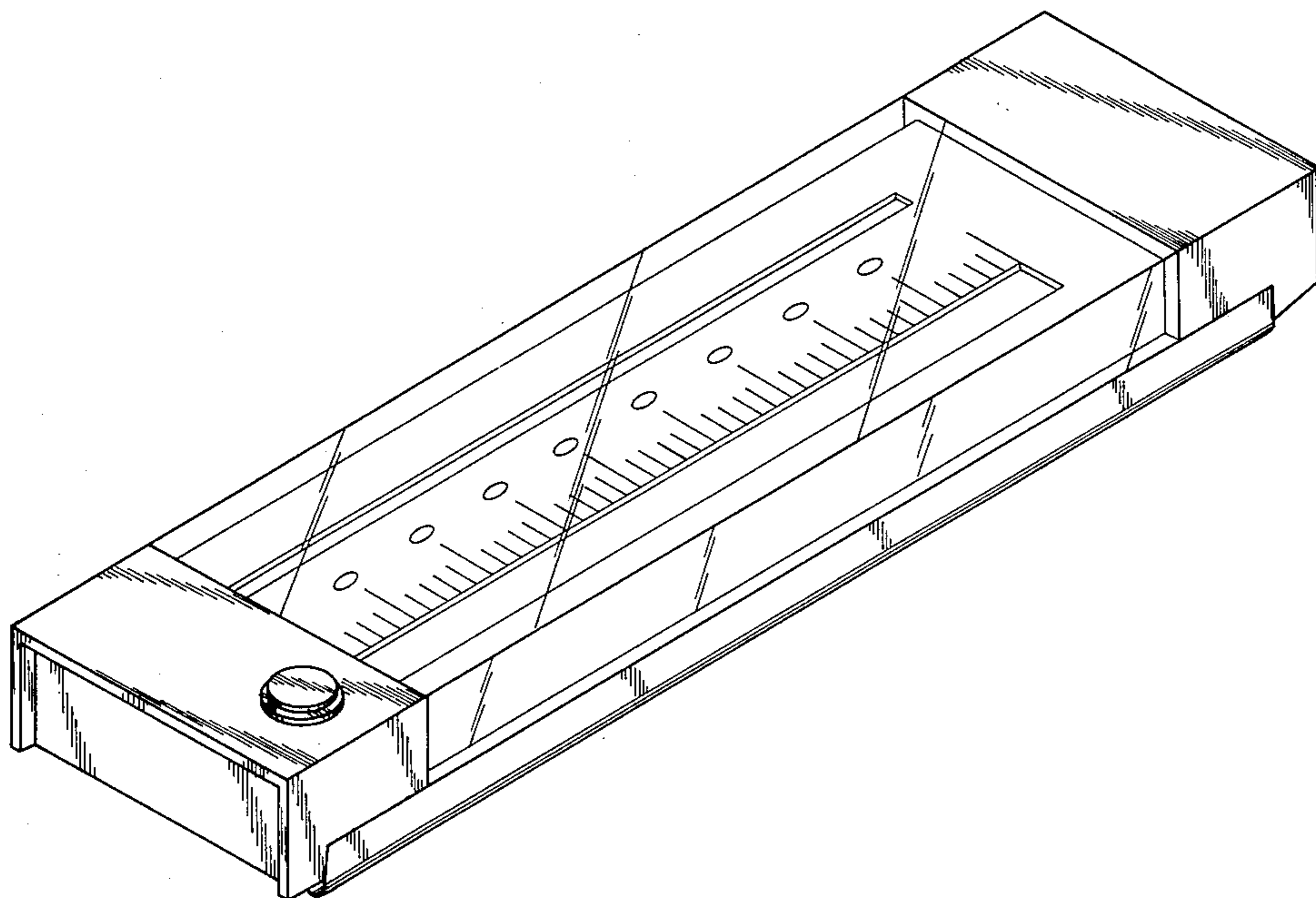
FIG. 2 is a left side elevational view thereof;

FIG. 3 is a rear elevational view thereof;

FIG. 4 is a bottom plan view thereof;

FIG. 5 is a top plan view thereof;

FIG. 6 is a front and bottom right perspective view thereof.



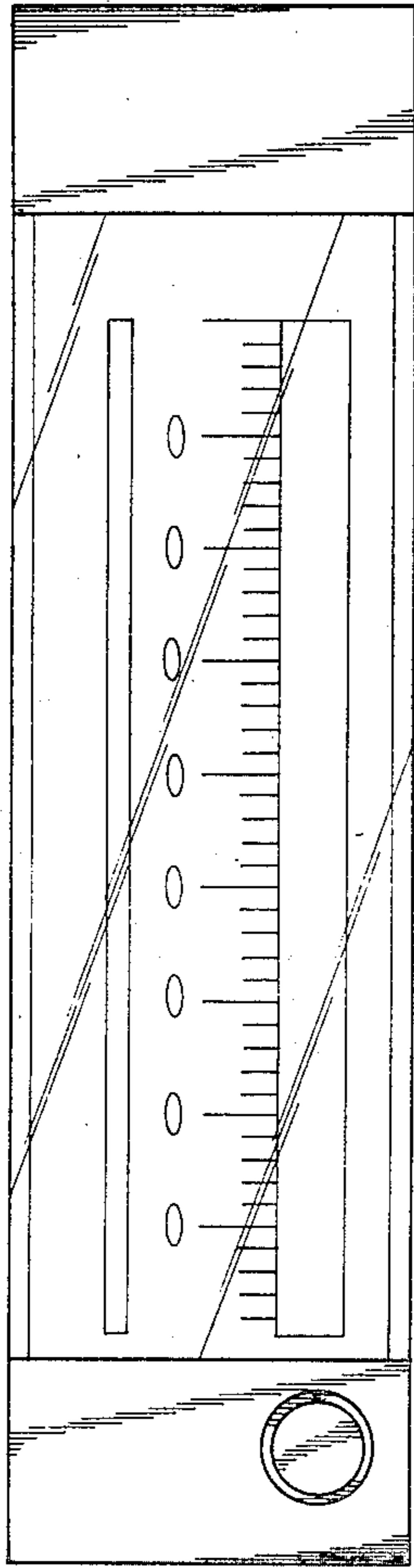


FIG. 1

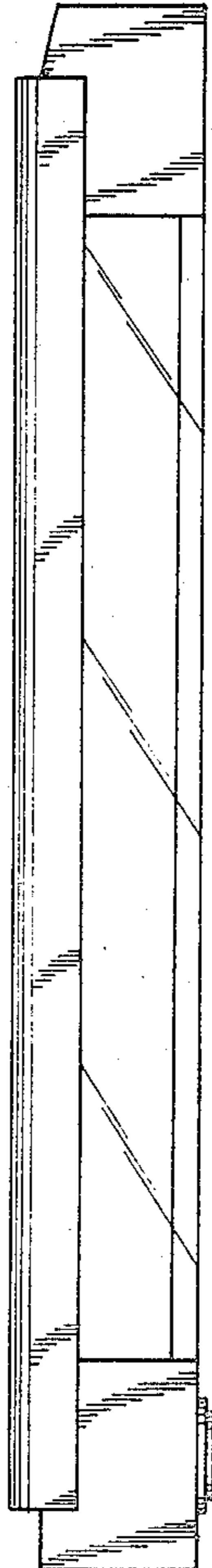


FIG. 2

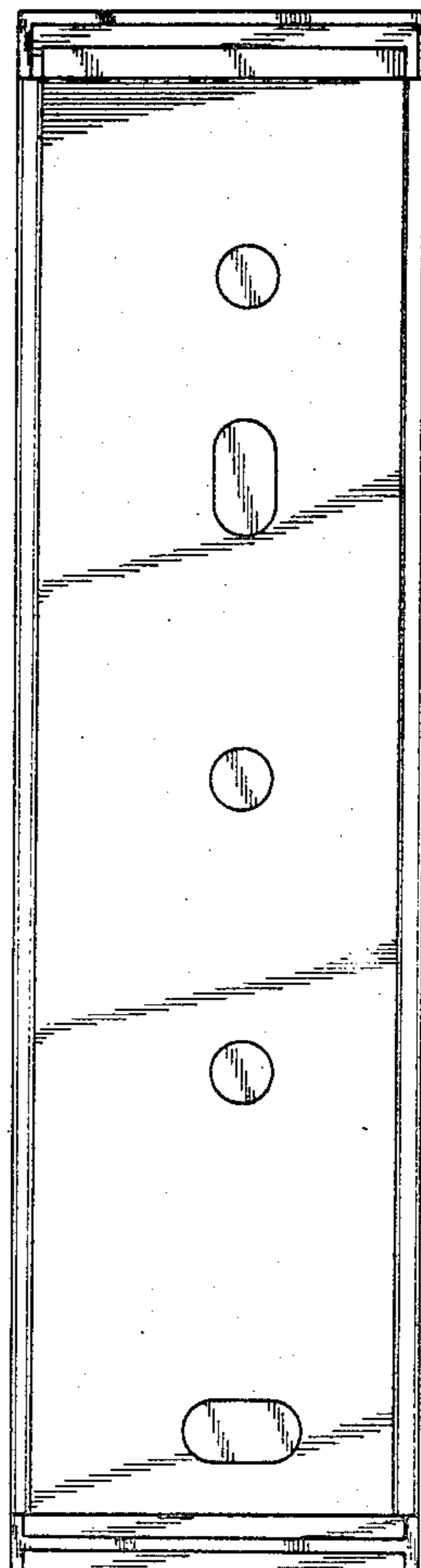


FIG. 3

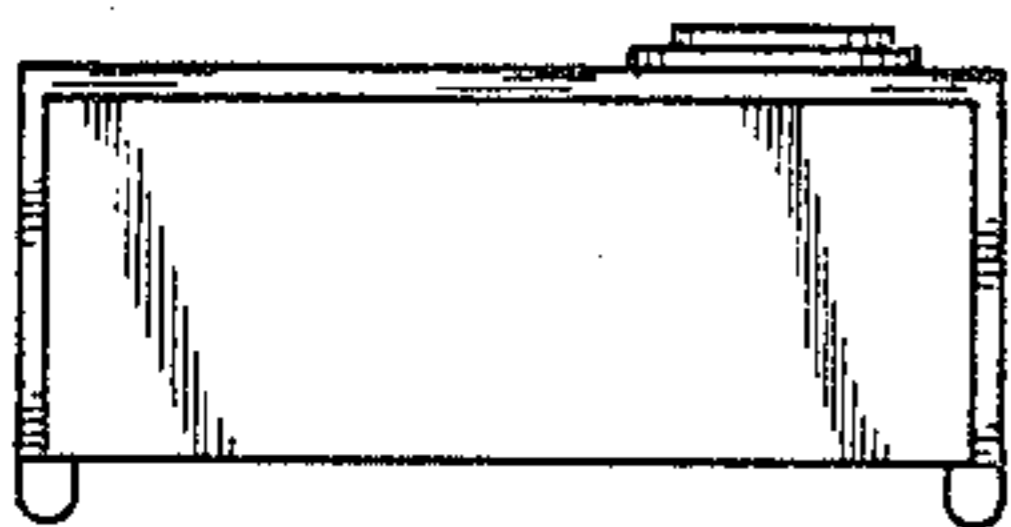


FIG. 4

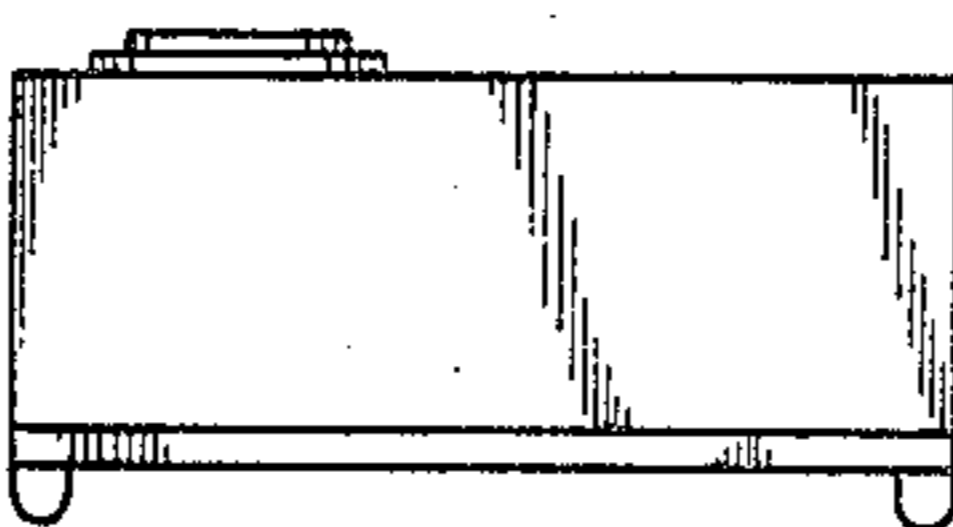


FIG. 5

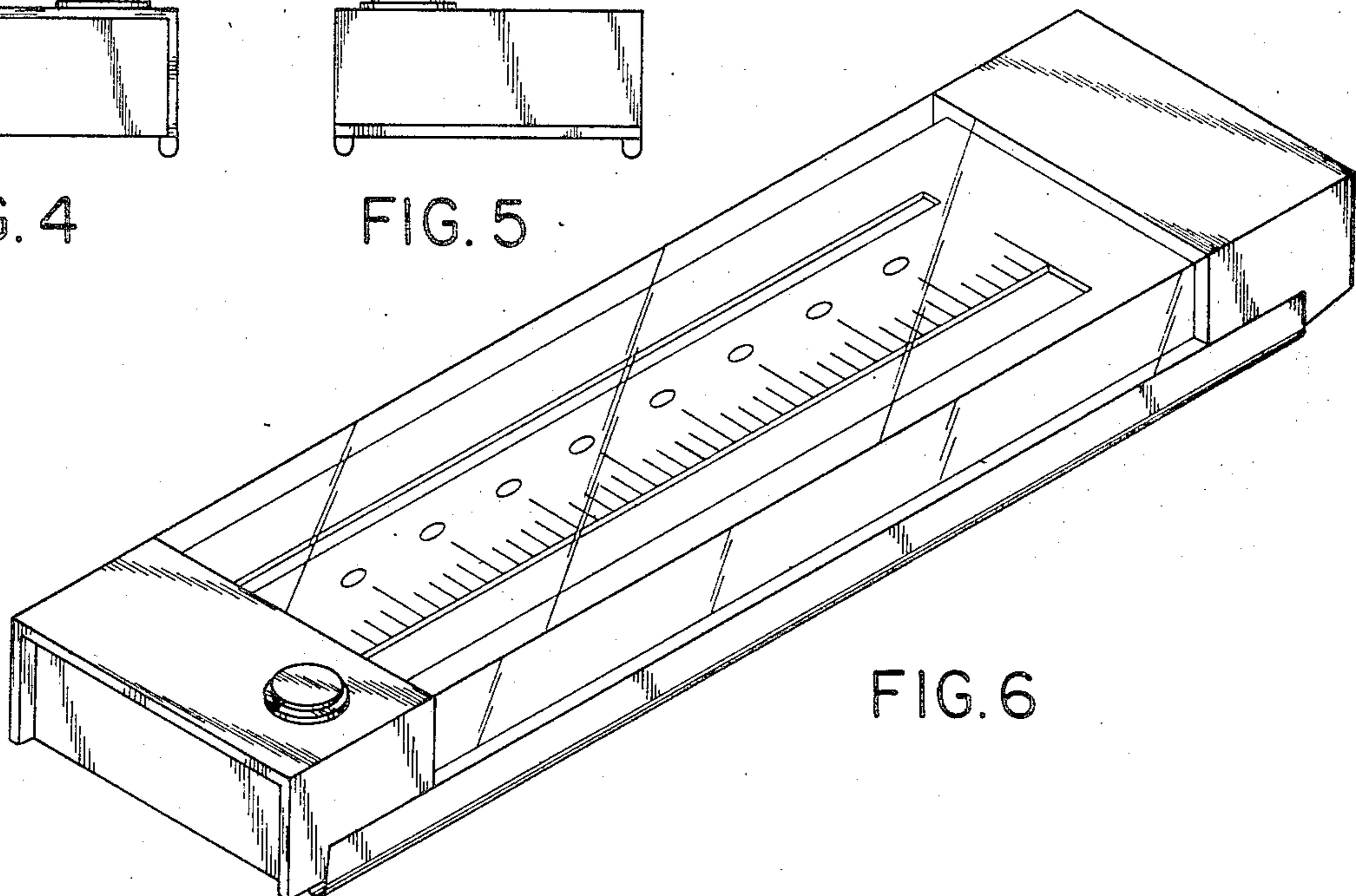


FIG. 6