

[54] **TIMER**

[75] Inventor: **Paul E. Morris**, Northbrook, Ill.

[73] Assignee: **Pelouze Scale Co.**, Evanston, Ill.

[**] Term: **14 Years**

[21] Appl. No.: **620,332**

[22] Filed: **Jun. 13, 1984**

[52] U.S. Cl. **D10/40**

[58] Field of Search **D10/30, 40; 368/89, 368/97, 98, 109**

D. 163,133	5/1951	Ornas	D10/40
D. 180,547	7/1957	Crouse	D10/40
D. 192,382	3/1962	Vogt	D10/40
2,610,683	9/1952	Beiser	368/97

Primary Examiner—Nelson C. Holtje
Attorney, Agent, or Firm—A. G. Douvas

[57] **CLAIM**

The ornamental design for a timer, as shown and described.

DESCRIPTION

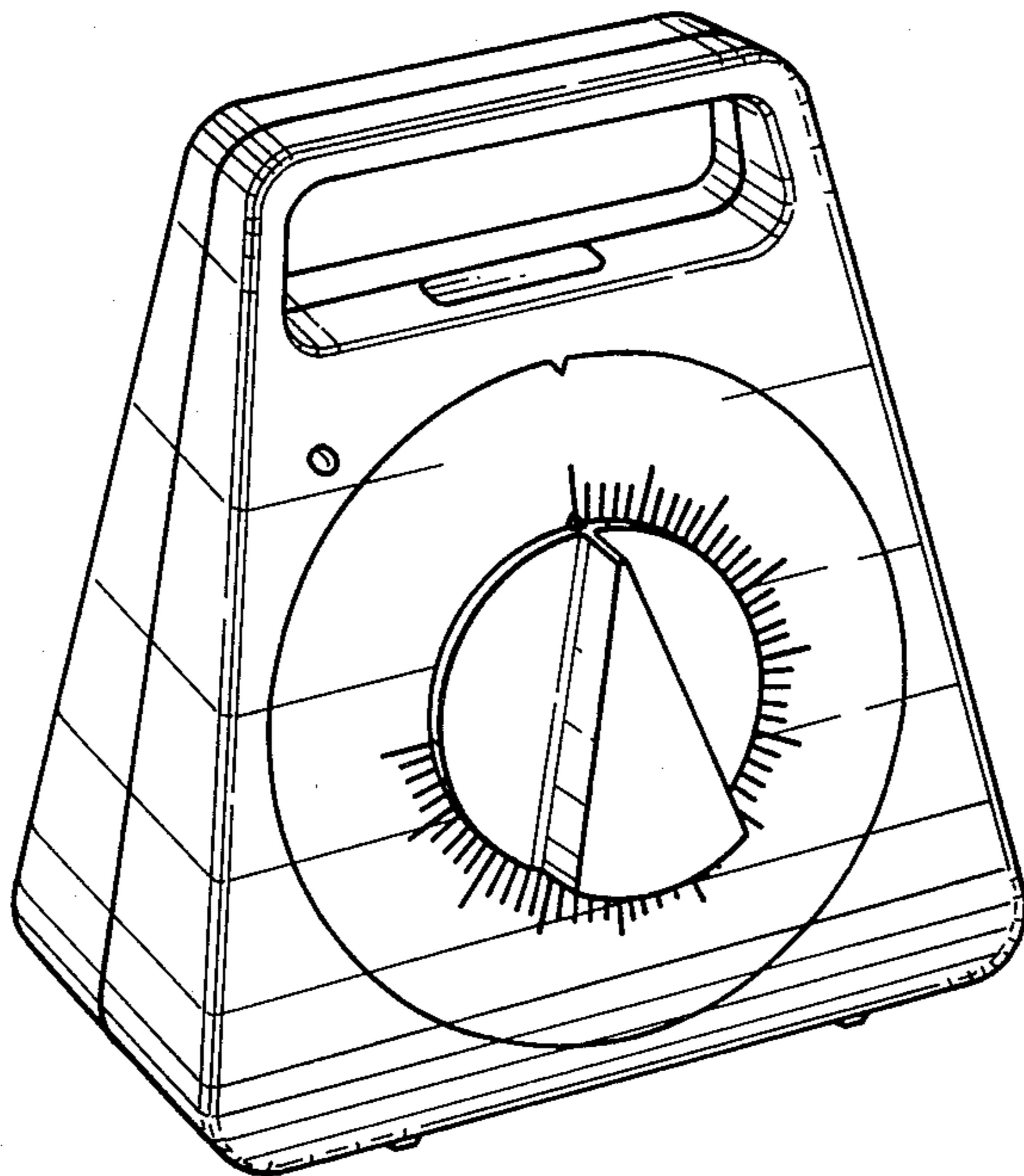
FIG. 1 is a top and left-front perspective view of a timer showing my new design;
FIG. 2 is a front elevational view thereof;
FIG. 3 is a right side elevational view thereof;
FIG. 4 is a rear elevational view thereof;
FIG. 5 is a top plan view thereof; and
FIG. 6 is a bottom plan view thereof.

[56]

References Cited

U.S. PATENT DOCUMENTS

D. 148,336	1/1948	Speaker	D10/40
D. 153,973	5/1949	Nelson	D10/97
D. 158,016	4/1950	Schlenker	D10/40



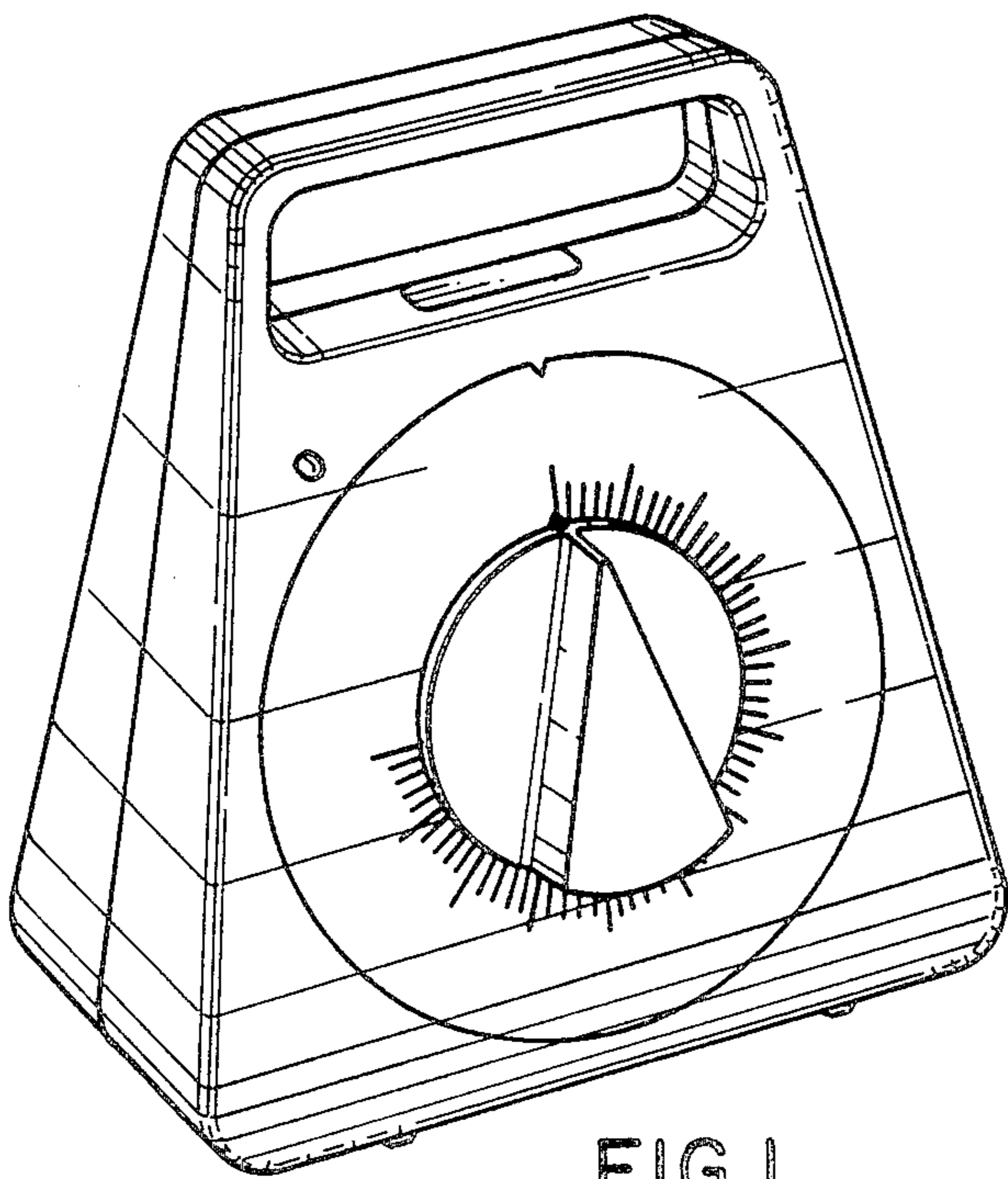


FIG. 1

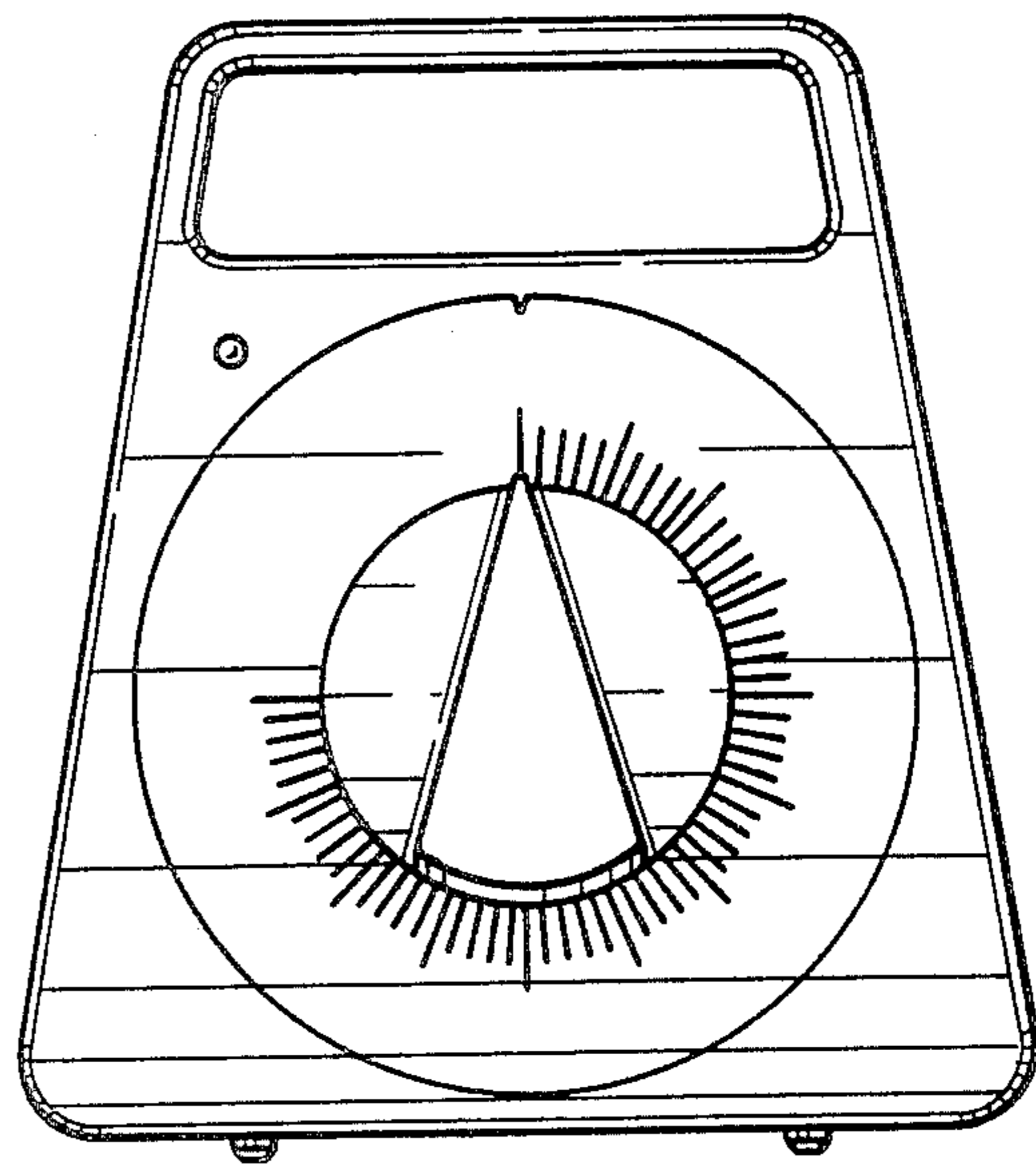


FIG. 2

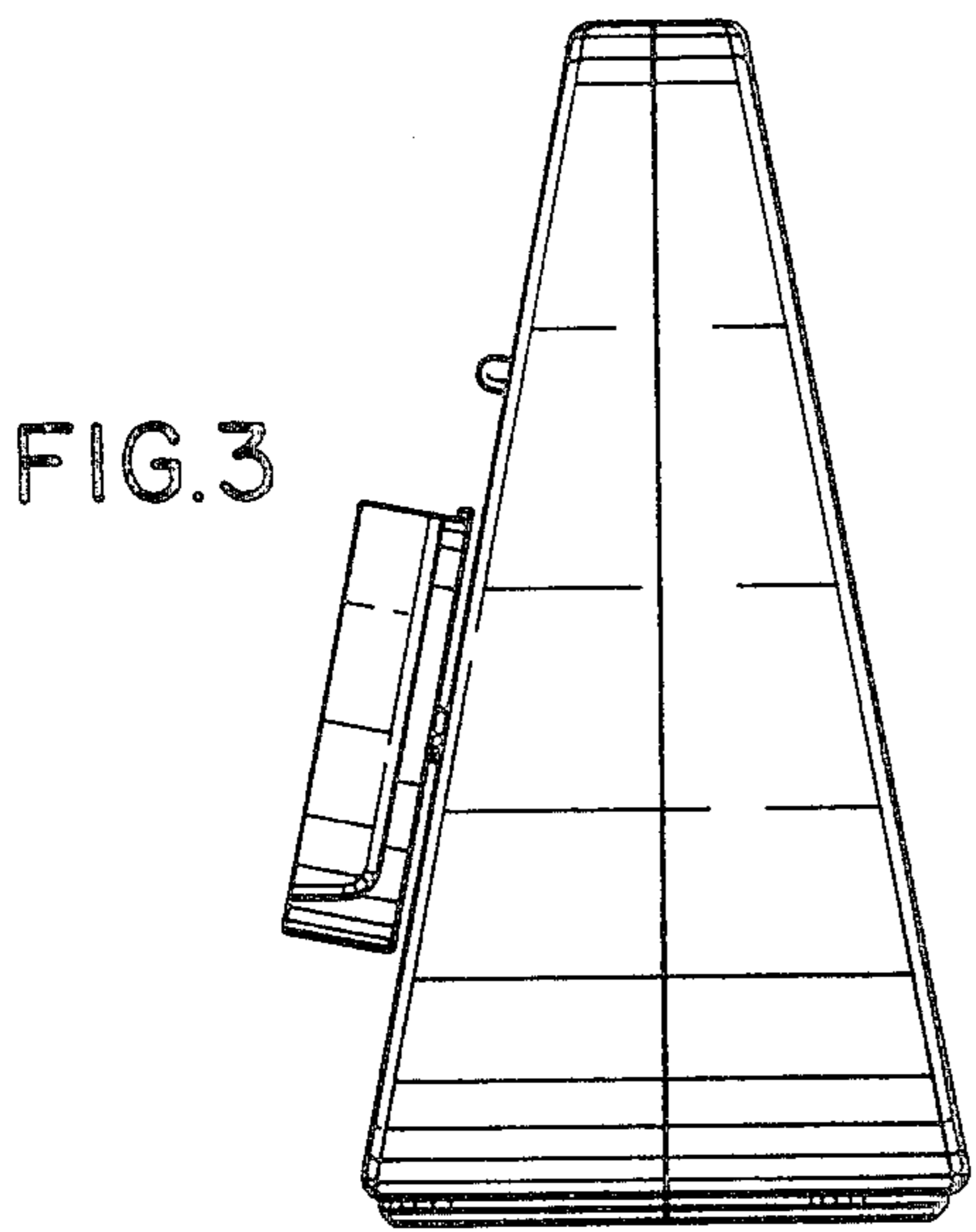


FIG. 3

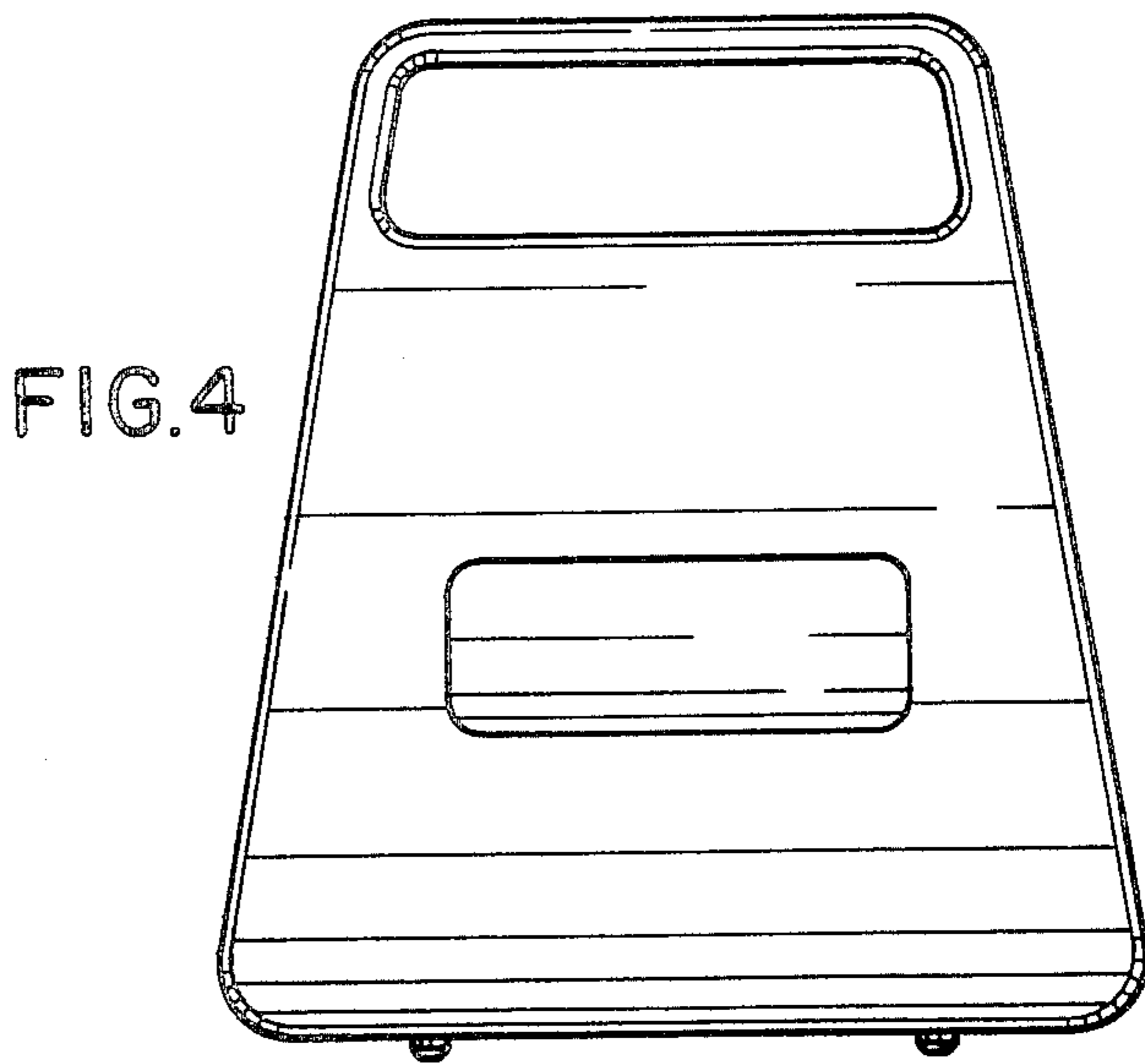


FIG. 4

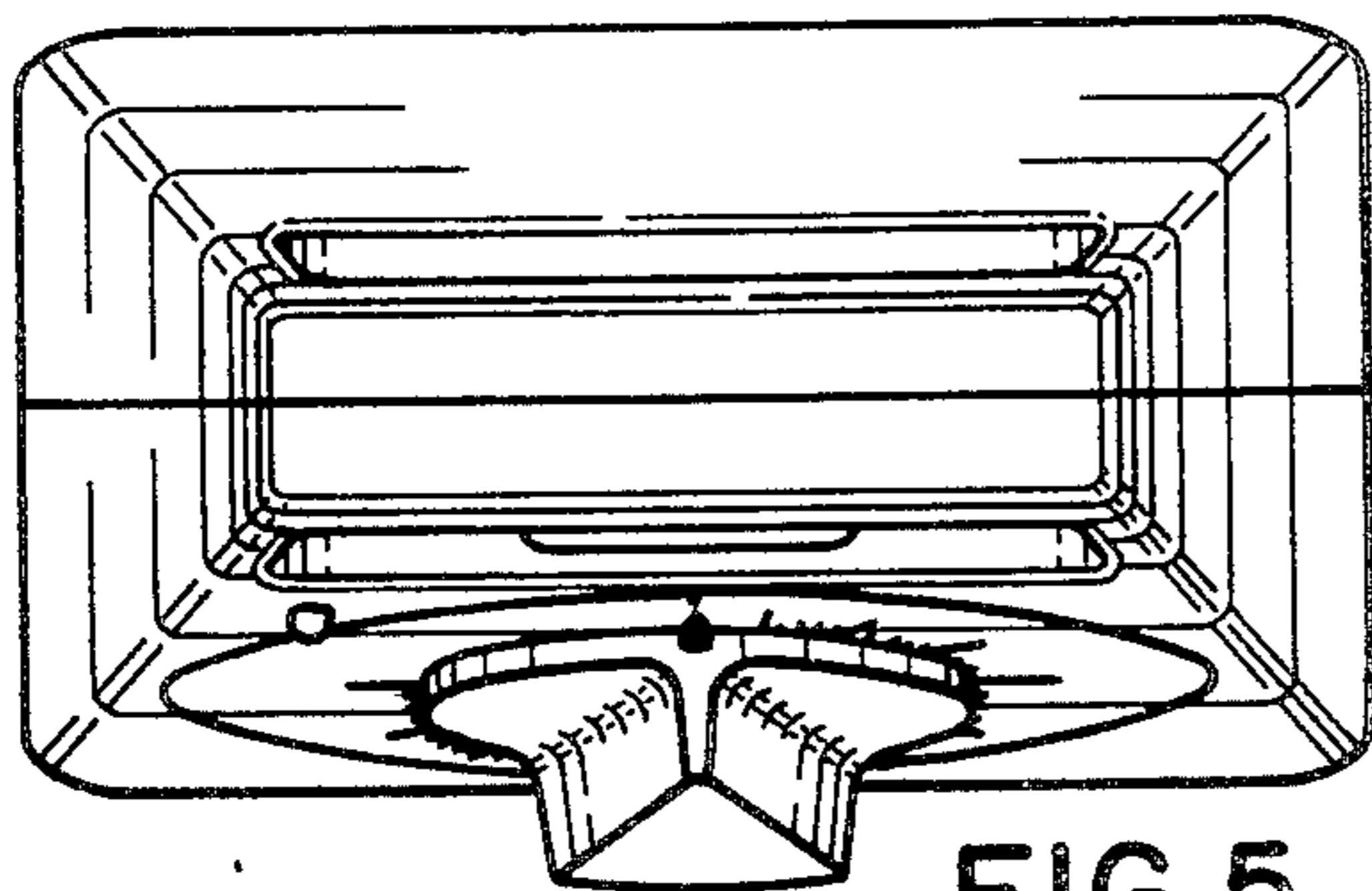


FIG. 5

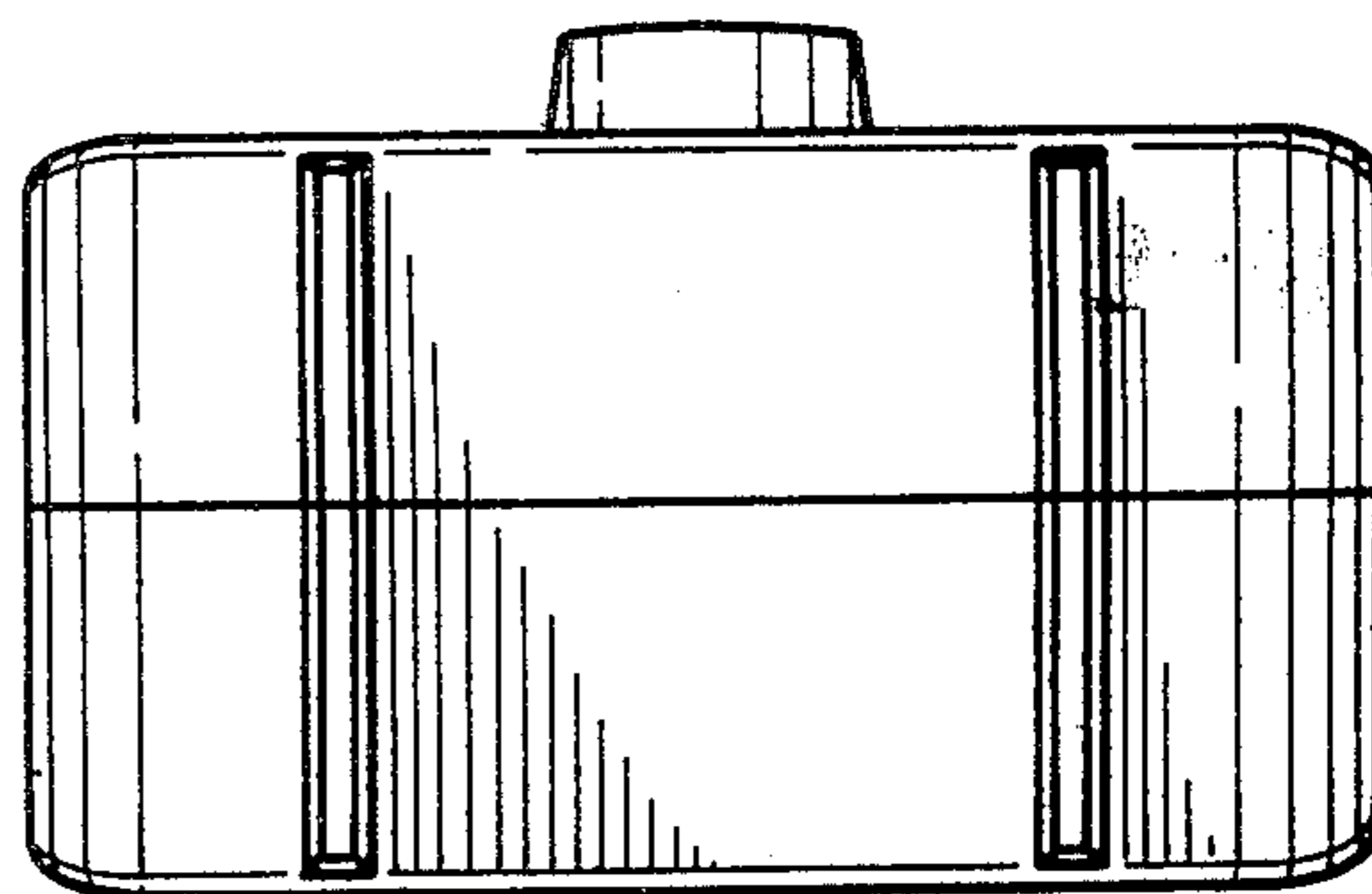


FIG. 6