

[54] TOY ROBOT WATCH

[75] Inventor: Iwakichi Ogawa, Kashiwa, Japan

[73] Assignee: Takara Co., Ltd., Tokyo, Japan

[\*\*] Term: 14 Years

[21] Appl. No.: 680,907

[22] Filed: Dec. 12, 1984

[30] Foreign Application Priority Data

Nov. 19, 1984 [JP] Japan ..... 59-47260

[52] U.S. Cl. .... D10/35; D10/33; D21/150

[58] Field of Search ..... D10/30-39; 368/10; 446/97, 376, 487; D21/150

[56] References Cited

U.S. PATENT DOCUMENTS

D. 278,643	4/1985	Ogawa	446/376 X
D. 279,306	6/1985	Murakami	D21/150
D. 279,592	7/1985	Ogawa	D21/150 X
D. 279,916	7/1985	Obara	D21/150 X
D. 281,001	10/1985	Ohno	D21/150 X
D. 281,087	10/1985	Ohno	D21/150 X
D. 281,088	10/1985	Murakami	D21/150
4,456,384	6/1984	Murakami	368/10
4,482,256	11/1984	Matsuda	368/10
4,571,199	2/1986	Murakami	446/73

FOREIGN PATENT DOCUMENTS

59-44288 of 1984 Japan ..... 446/487

OTHER PUBLICATIONS

*Hong Kong Enterprises*-10/81-p. 109-Robot Watch-2nd from left-center.

Primary Examiner—Nelson C. Holtje

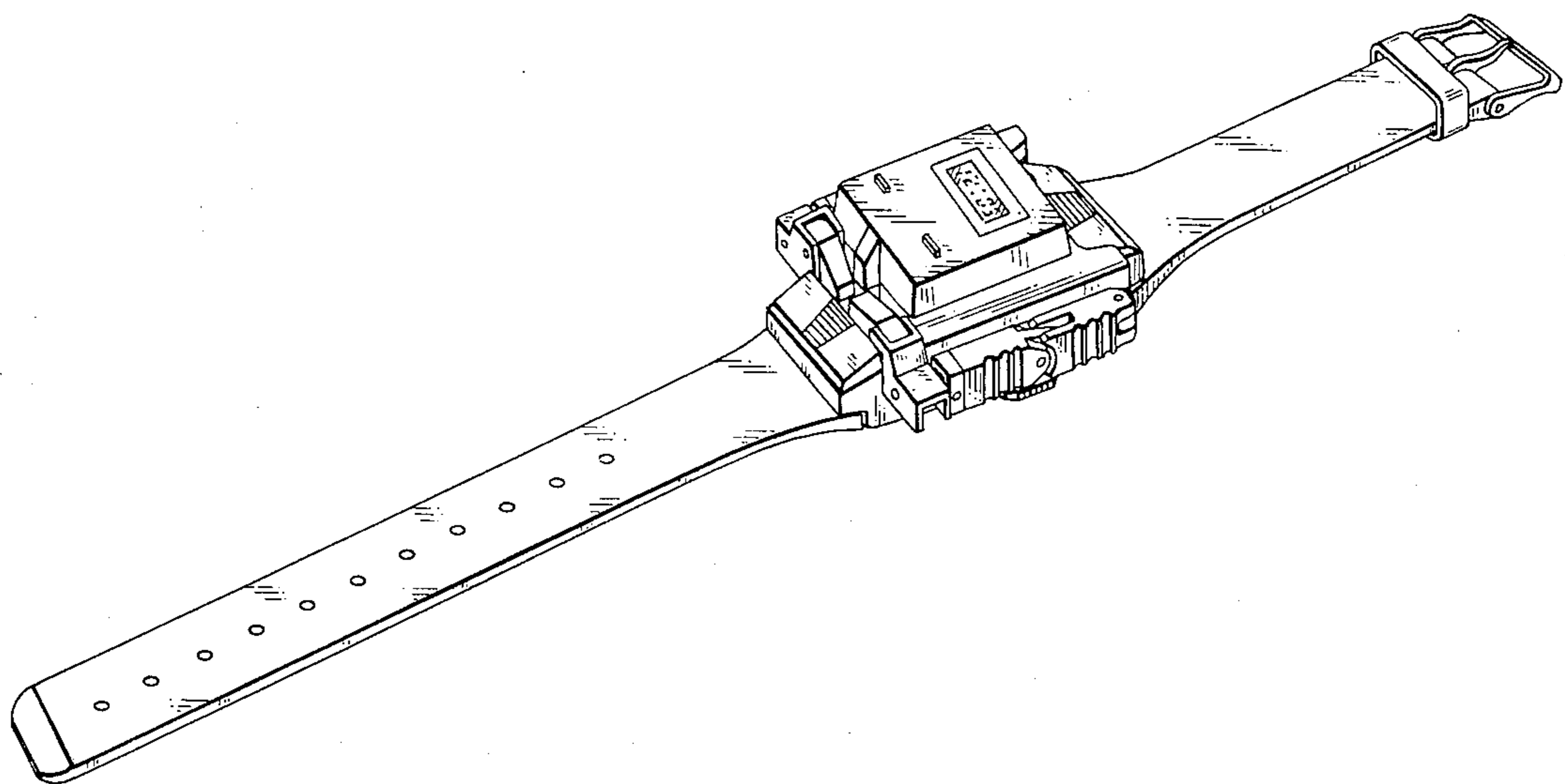
Attorney, Agent, or Firm—Price, Gess & Ubell

[57] CLAIM

The ornamental design for a toy robot watch, substantially as shown and described.

DESCRIPTION

FIG. 1 is a right front perspective view of a toy robot watch showing my new design;  
 FIG. 2 is a front elevational view thereof;  
 FIG. 3 is a right side elevational view thereof;  
 FIG. 4 is a left-side elevational view thereof;  
 FIG. 5 is a rear elevational view thereof;  
 FIG. 6 is a top plan view thereof;  
 FIG. 7 is a bottom plan view thereof;  
 FIG. 8 is a right front perspective view of the robot watch portion of the robot watch, with the holder/strap omitted for clarity of disclosure;  
 FIG. 9 is a front elevational view of FIG. 8;  
 FIG. 10 is a right side elevational view of FIG. 8;  
 FIG. 11 is a left side elevational view of FIG. 8;  
 FIG. 12 is a rear elevational view of FIG. 8;  
 FIG. 13 is a top plan view of FIG. 8;  
 FIG. 14 is a bottom plan view of FIG. 8;  
 FIG. 15 is a right front perspective view of FIG. 8 reconfigured as a robot with parts thereof in alternate positions;  
 FIG. 16 is a front elevational view of FIG. 15;  
 FIG. 17 is a right side elevational view of FIG. 15;  
 FIG. 18 is a left side elevational view of FIG. 15;  
 FIG. 19 is a rear elevational view of FIG. 15;  
 FIG. 20 is a top plan view of FIG. 15;  
 FIG. 21 is a bottom plan view of FIG. 15;  
 FIG. 22 is a top plan view of the holder/strap portion of the watch with the robot watch portion omitted for clarity of illustration;  
 FIG. 23 is a bottom plan view of FIG. 22.



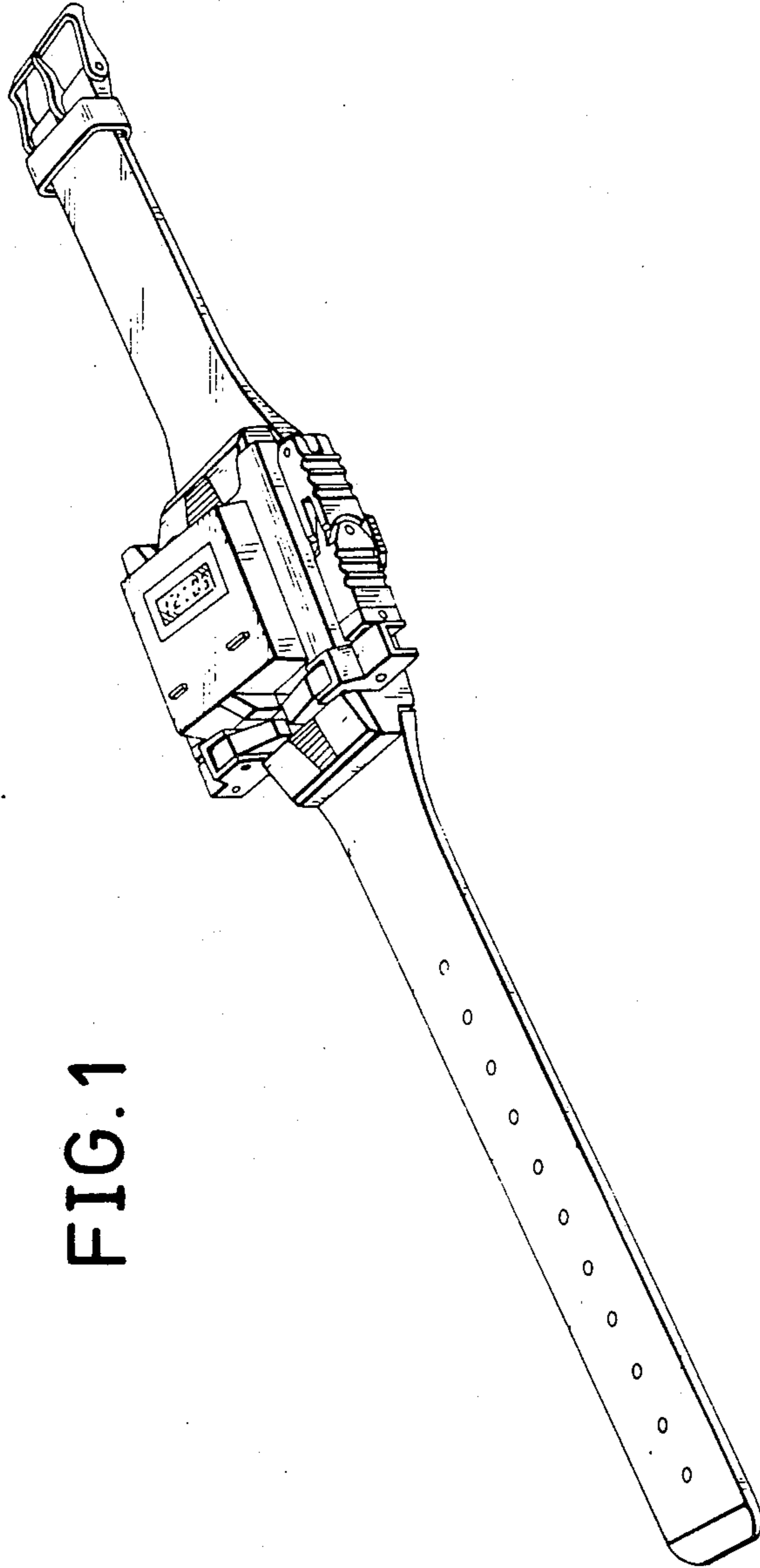


FIG. 1

FIG. 2 FIG. 3 FIG. 4 FIG. 5

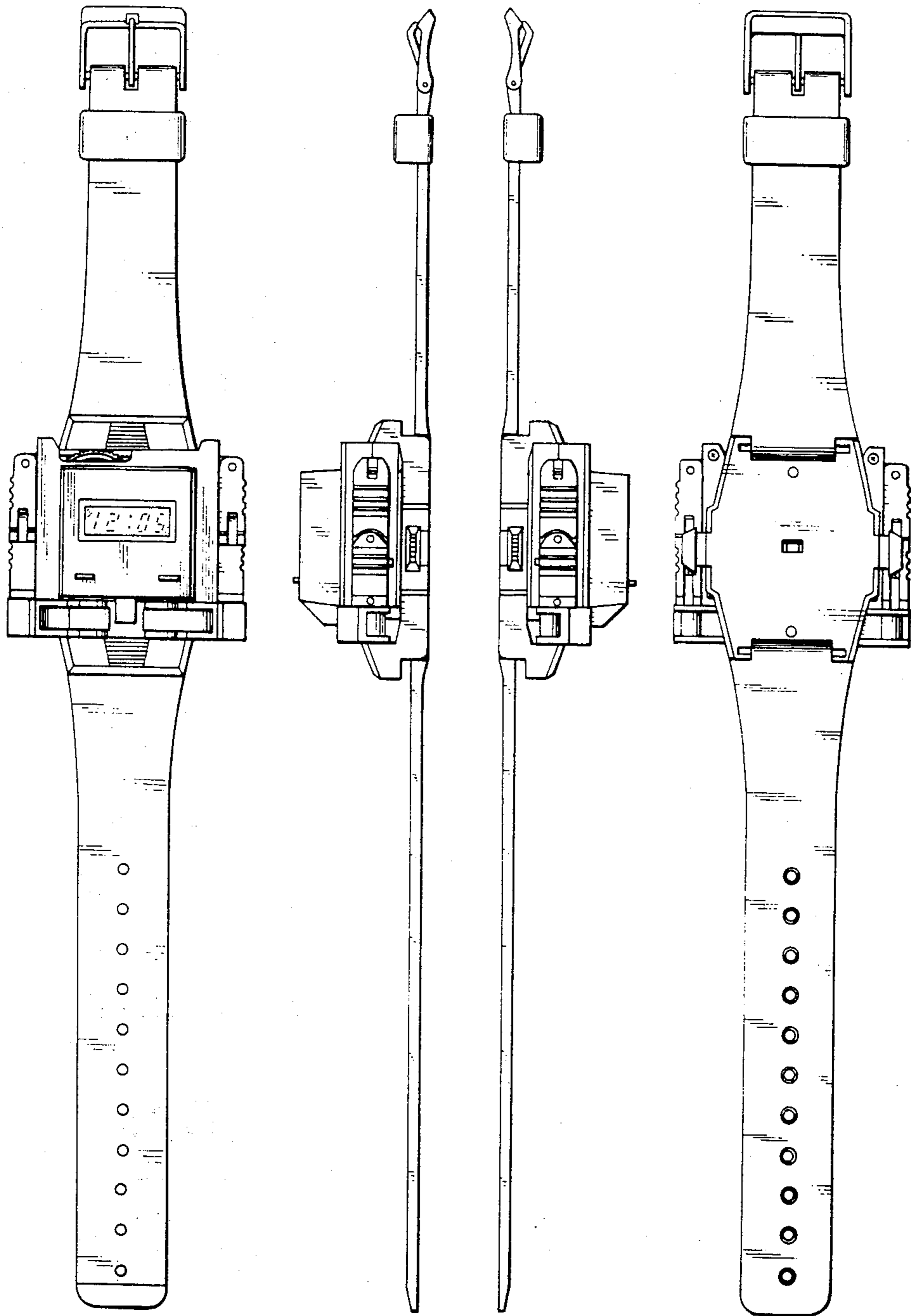


FIG. 6

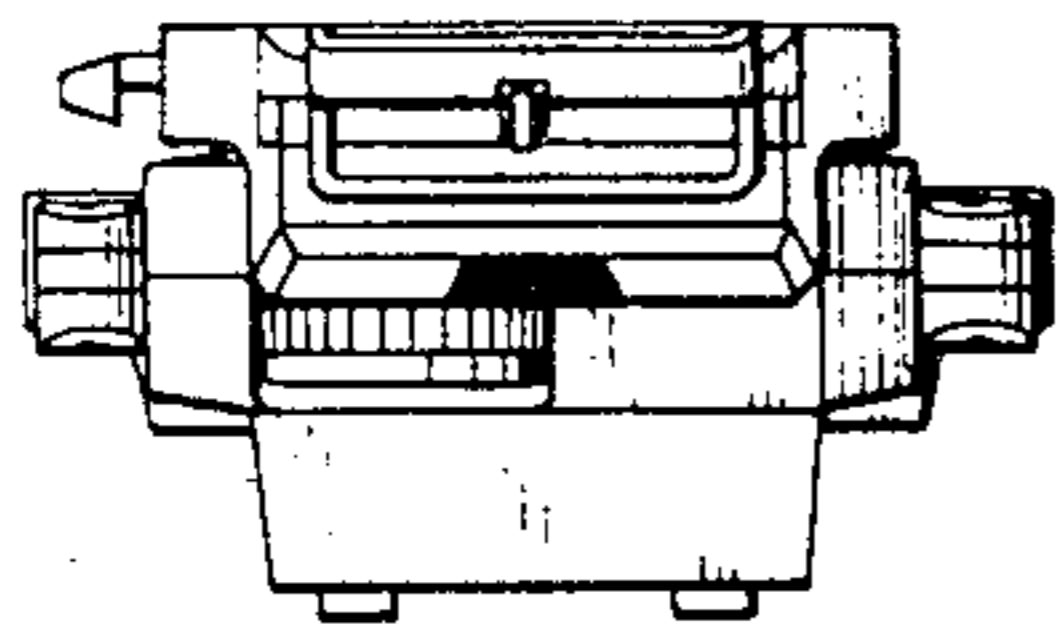


FIG. 7

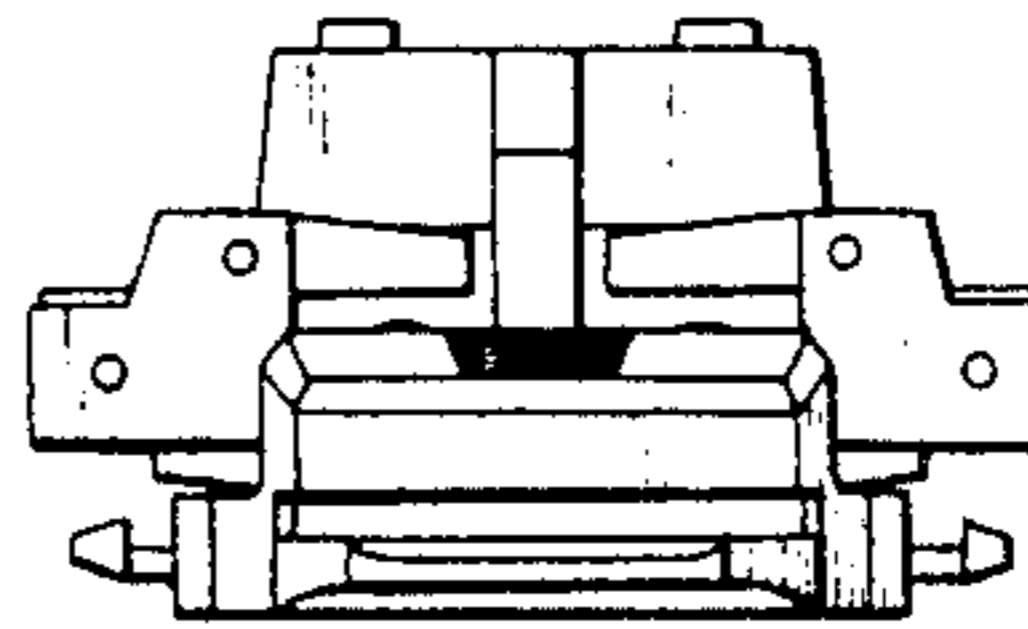


FIG. 8

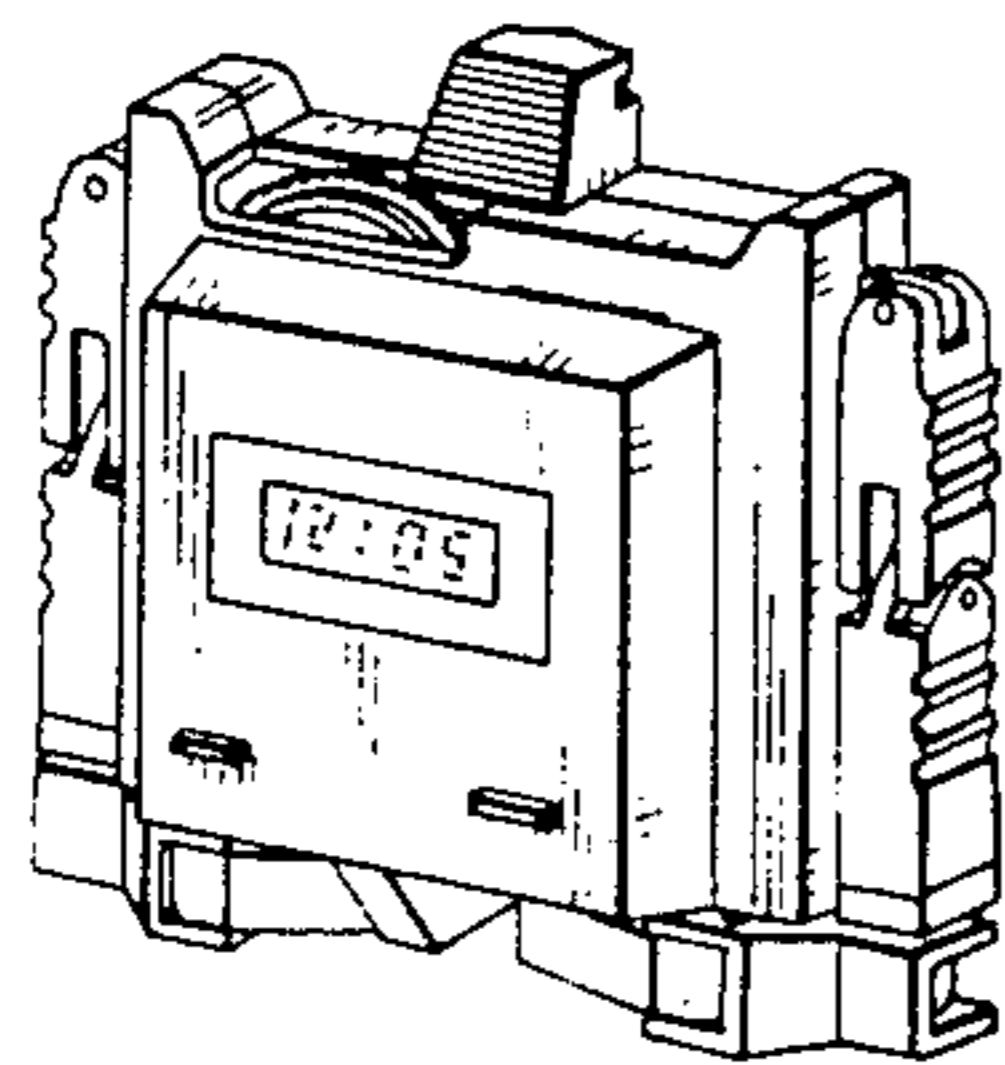


FIG. 9

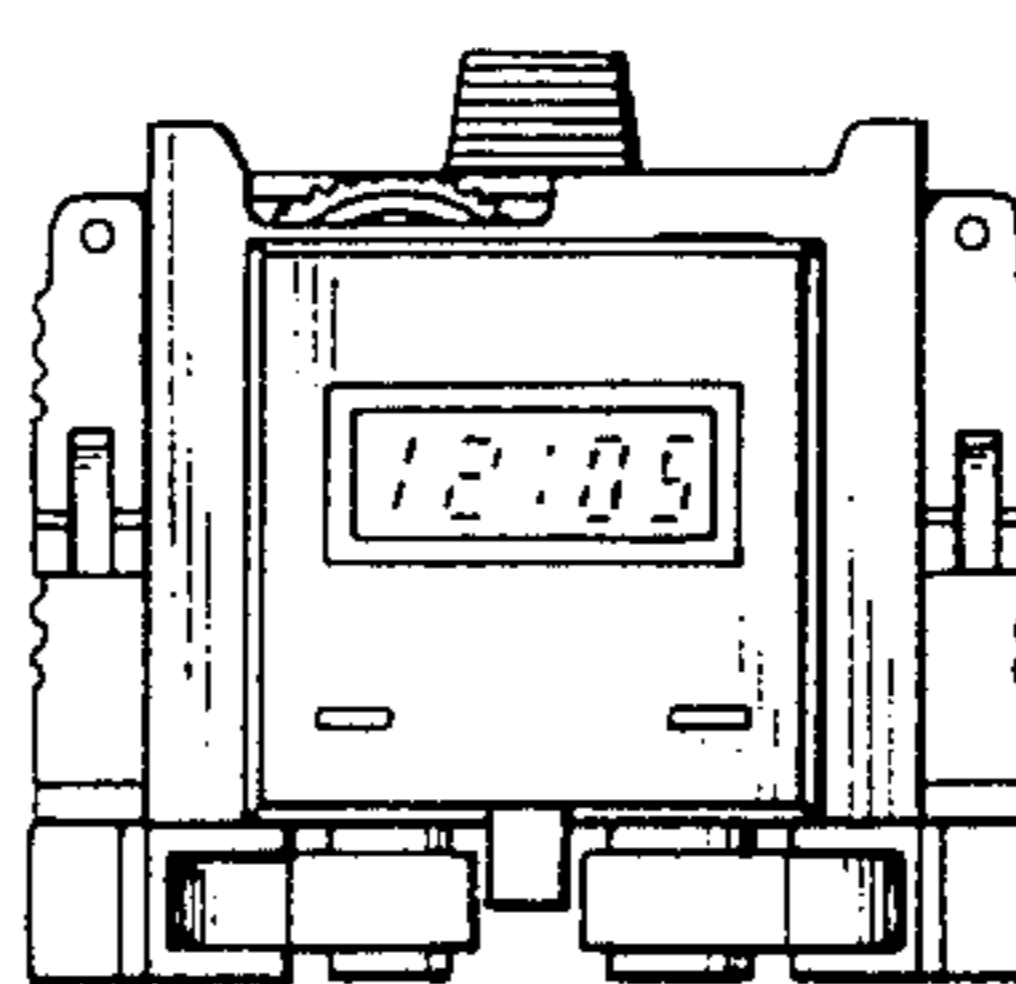


FIG. 10

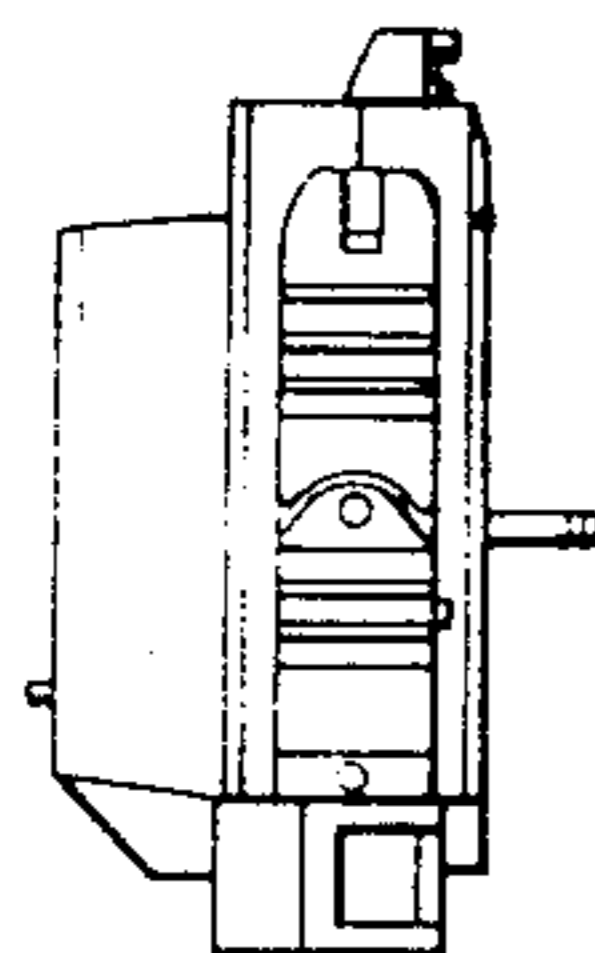


FIG. 11

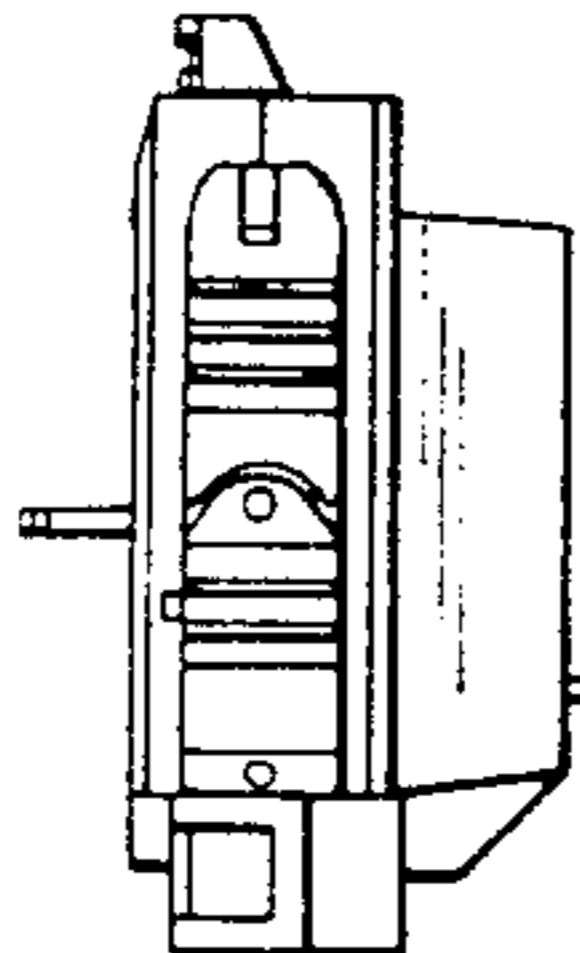


FIG. 12

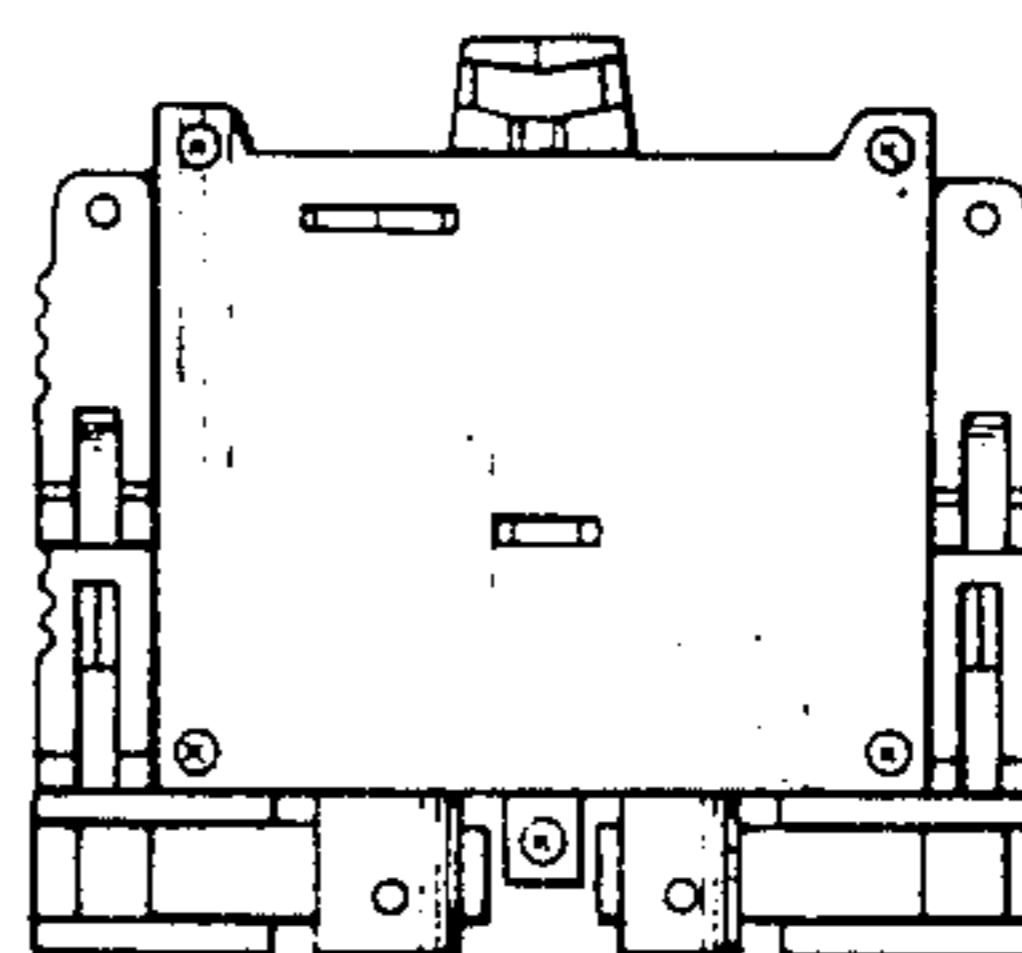


FIG. 13

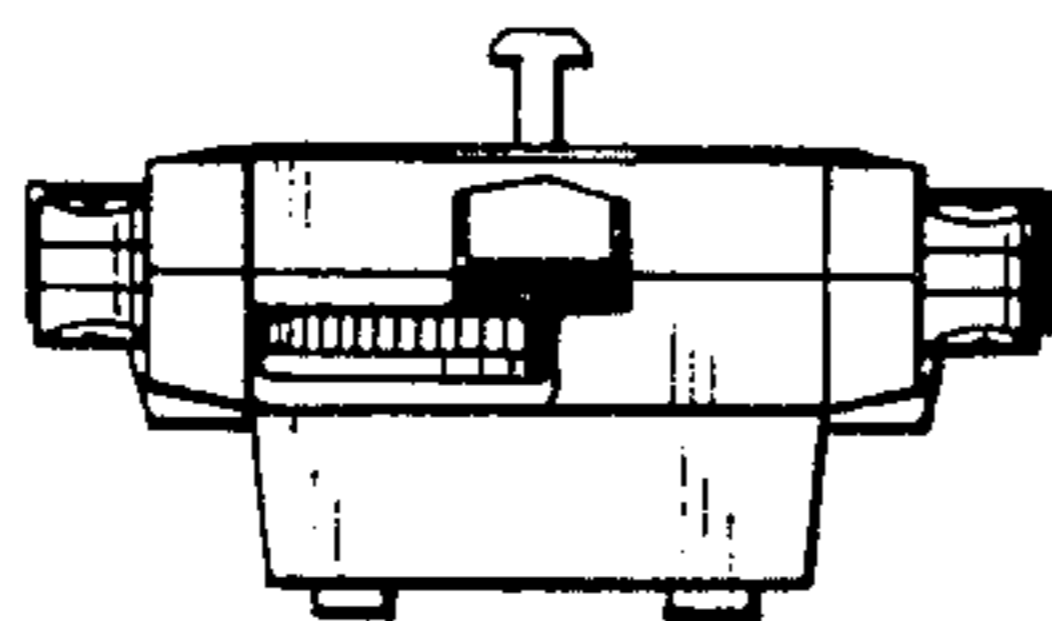


FIG. 14

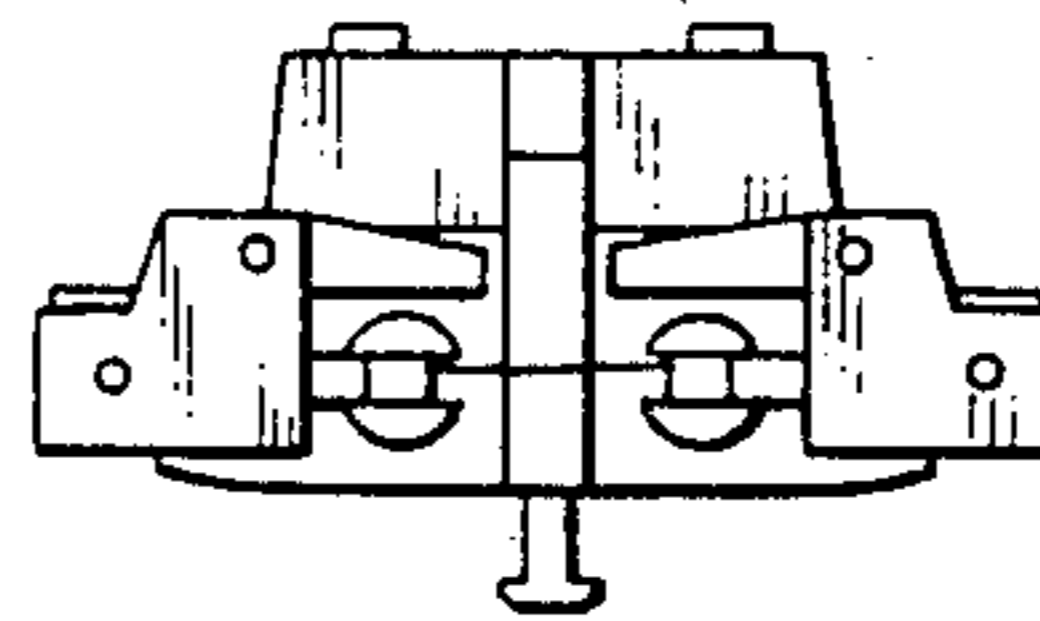


FIG. 15

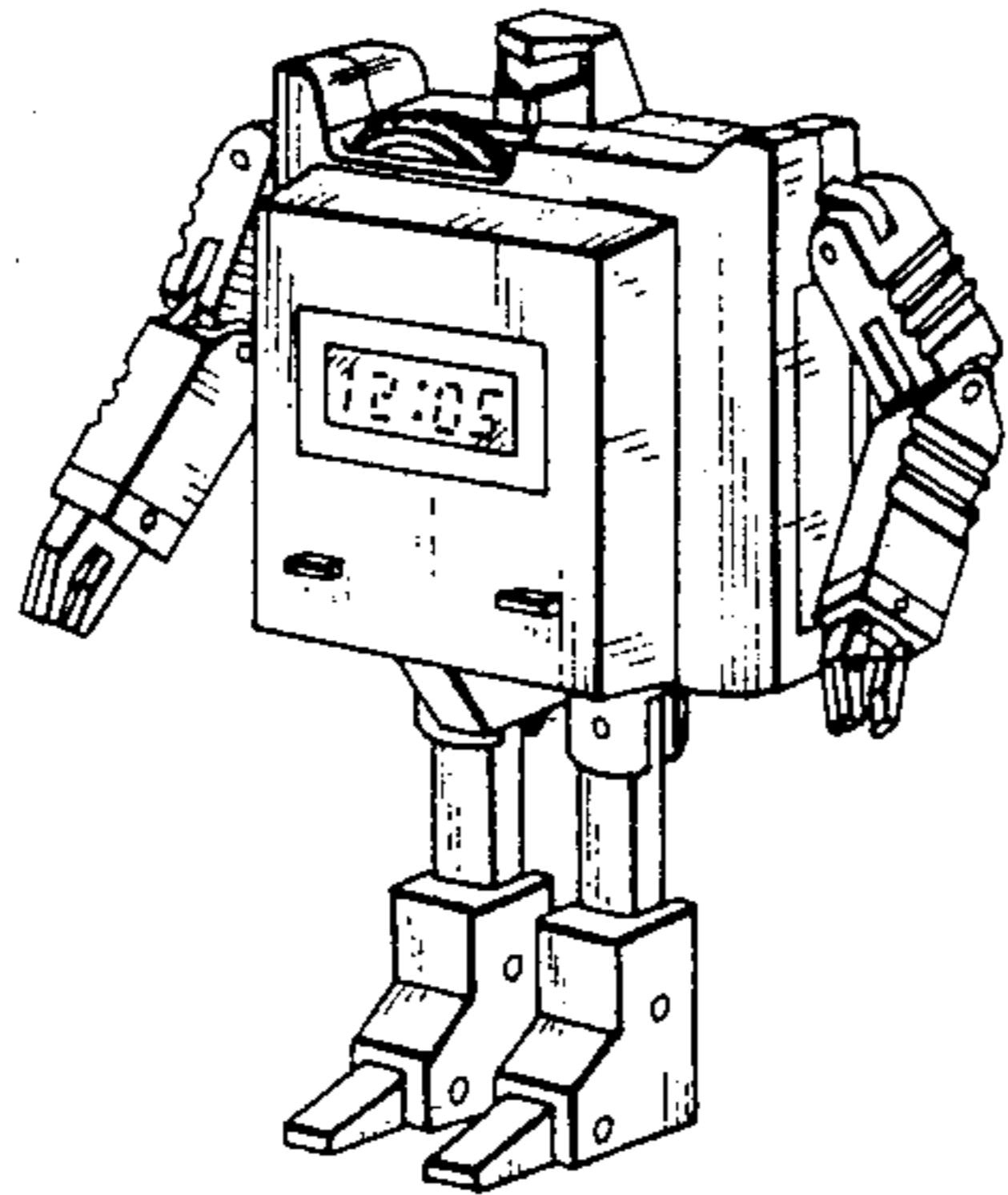


FIG. 16

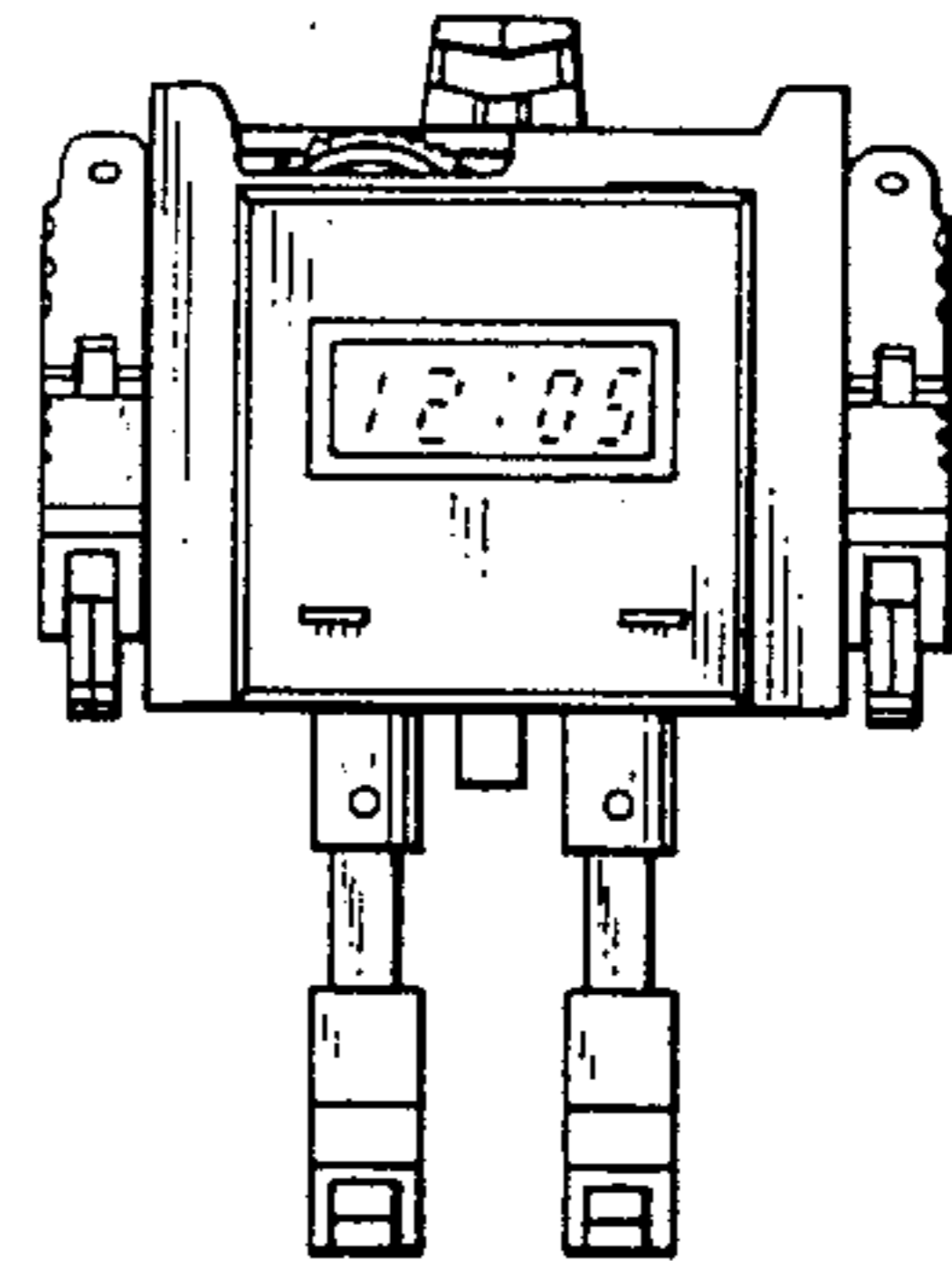


FIG. 17

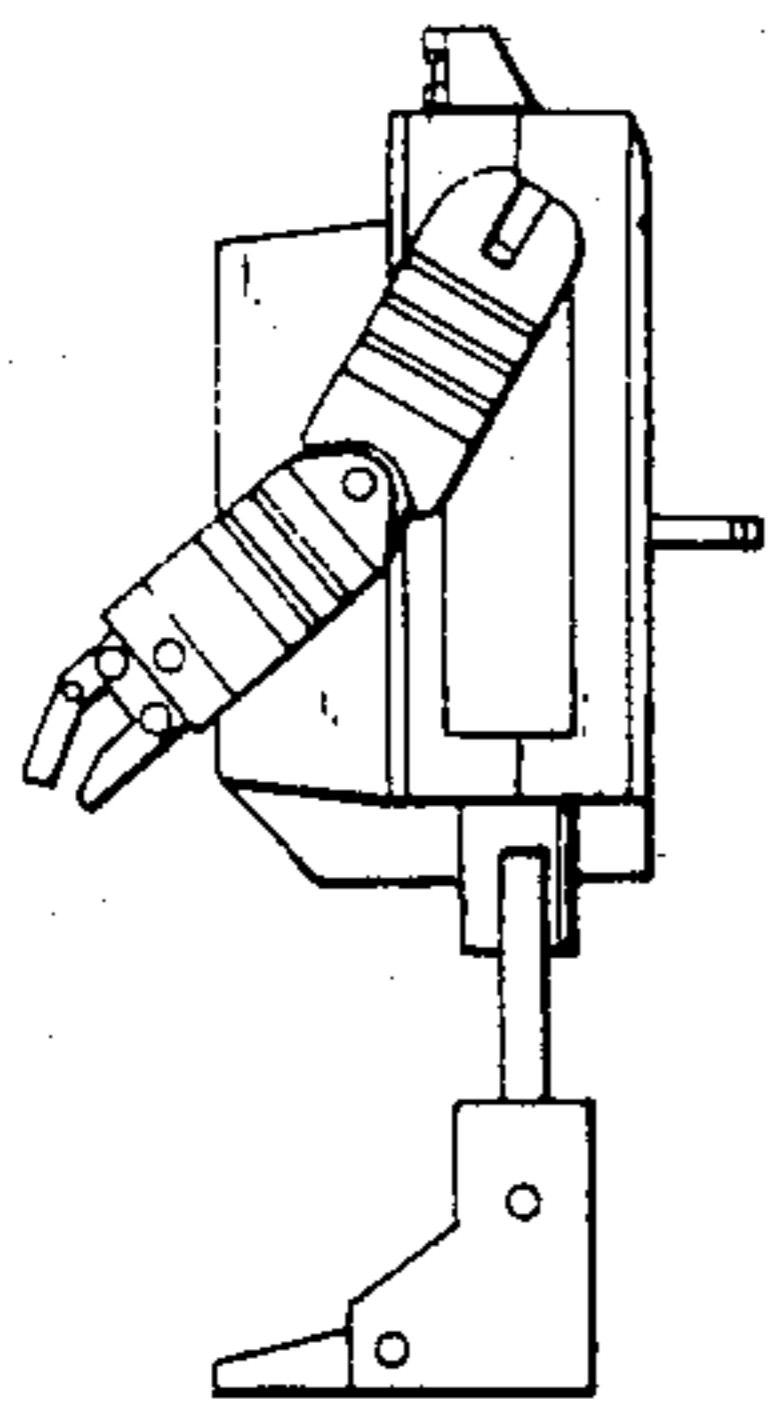


FIG. 18

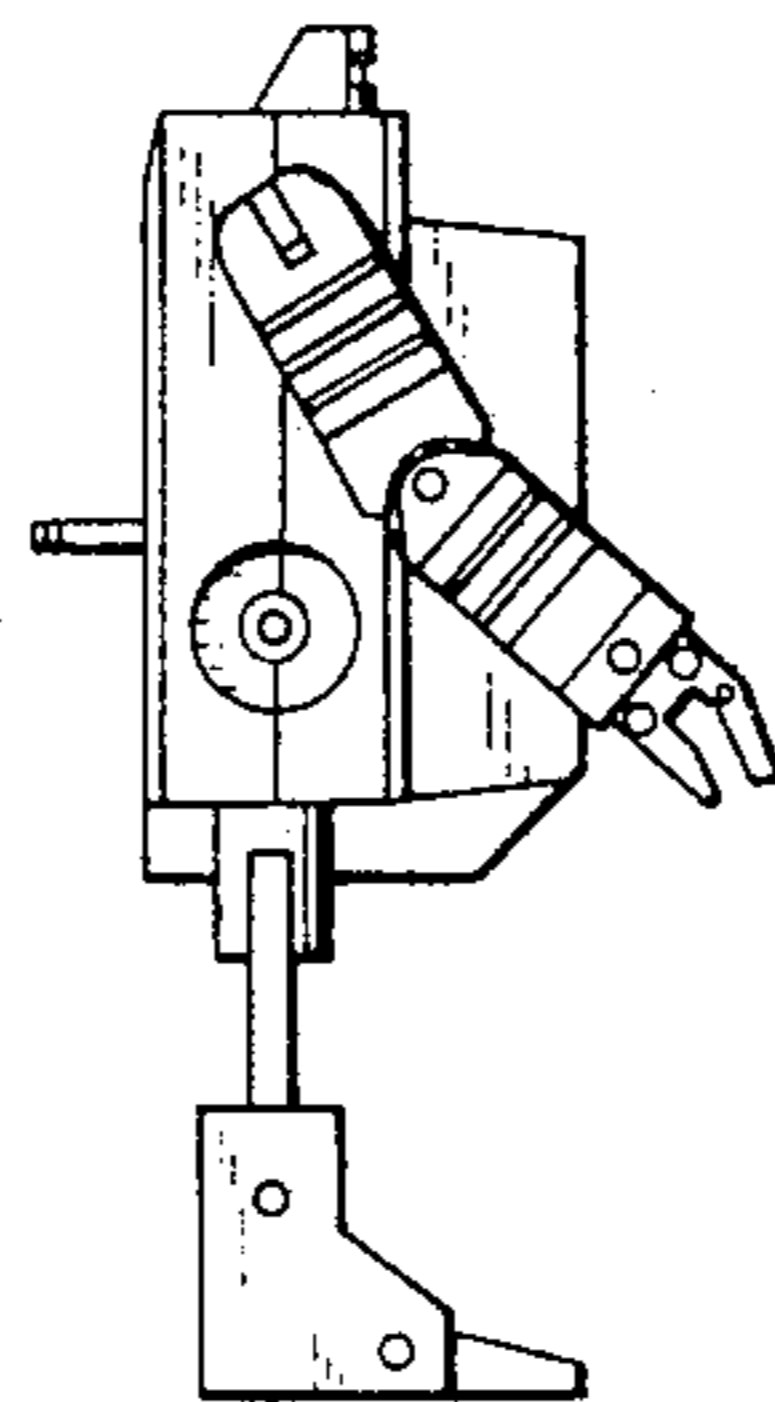


FIG. 19

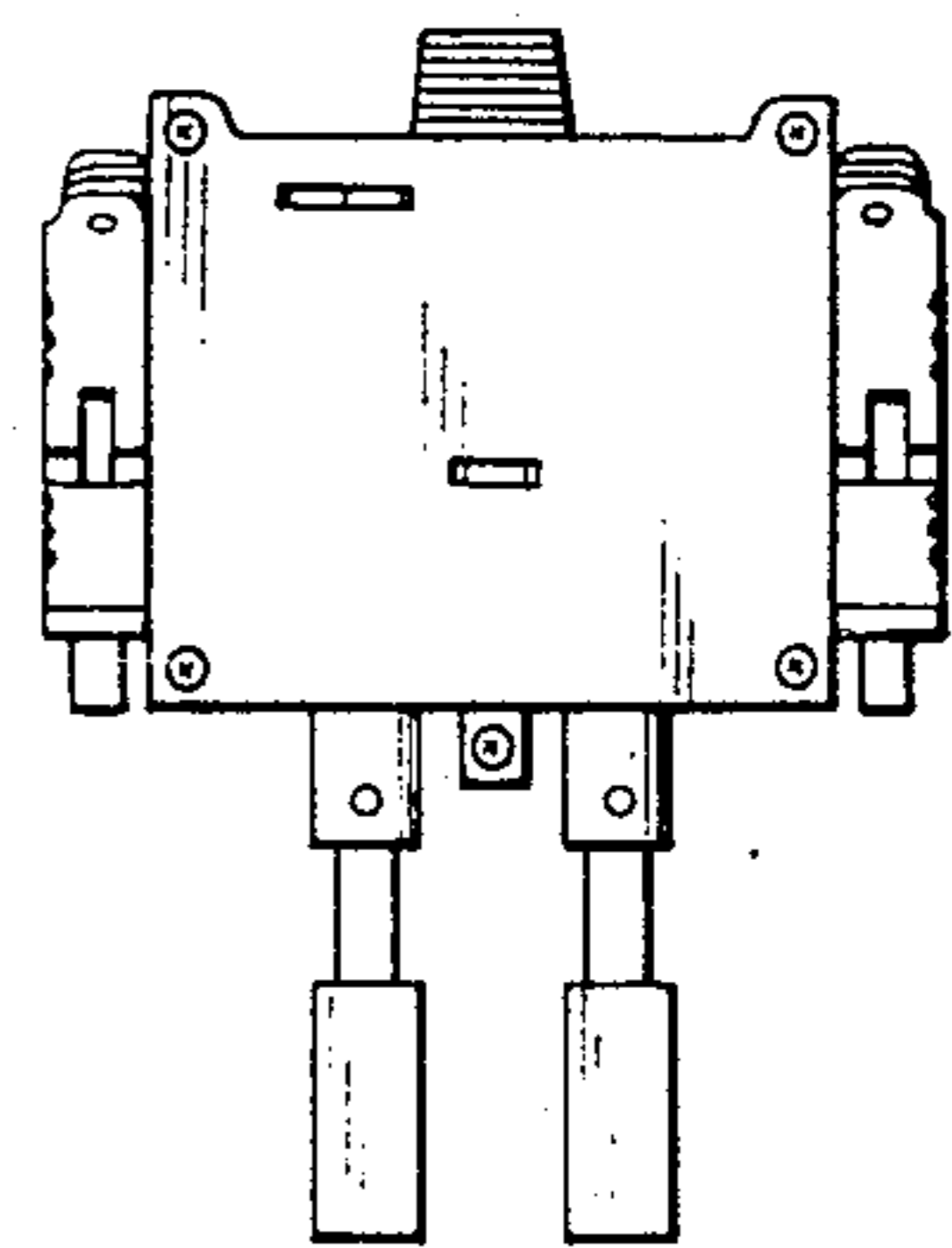


FIG. 20

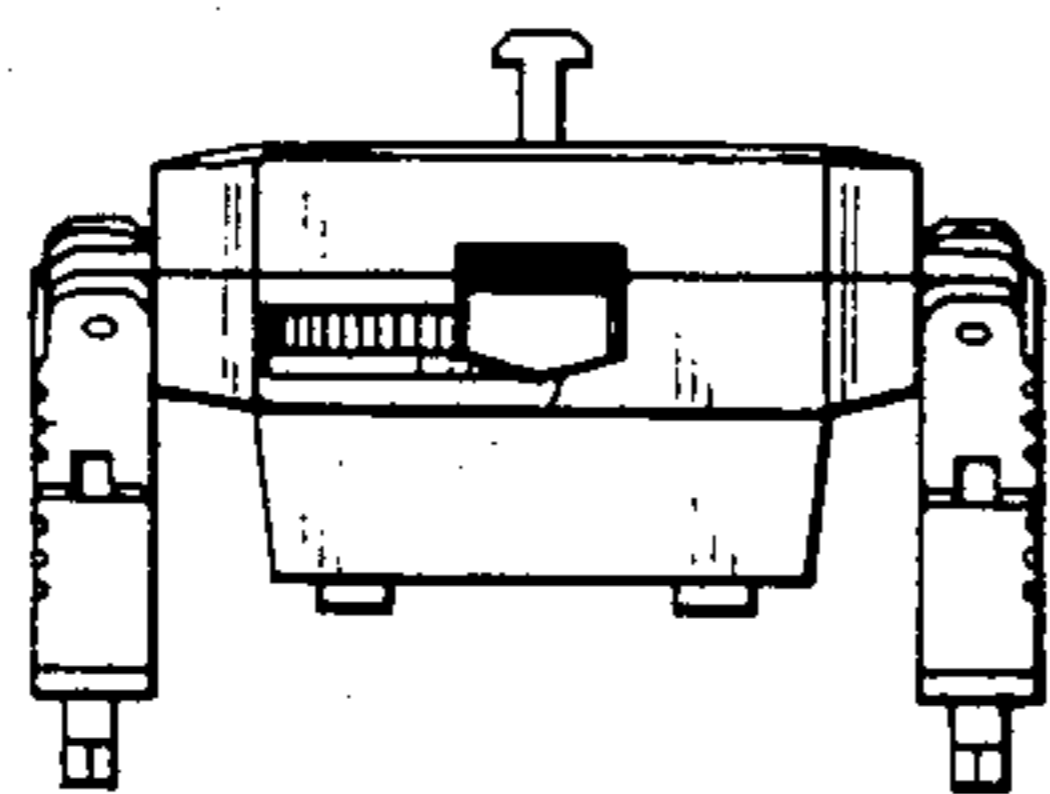


FIG. 21

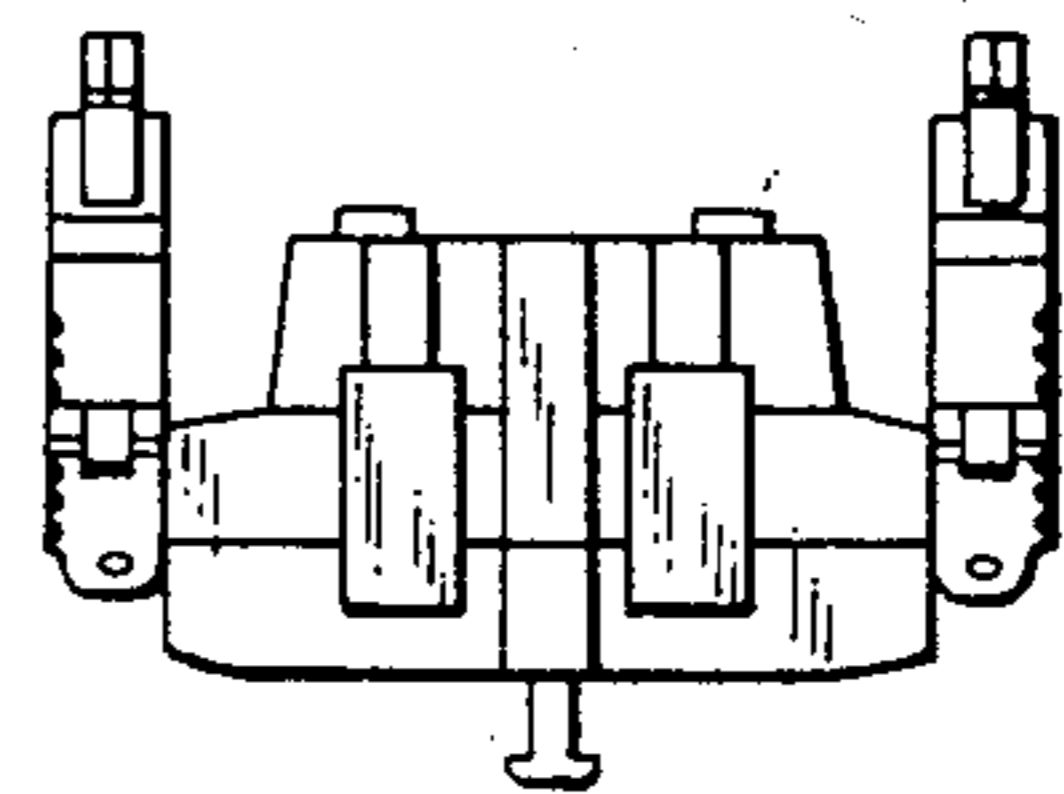


FIG.22

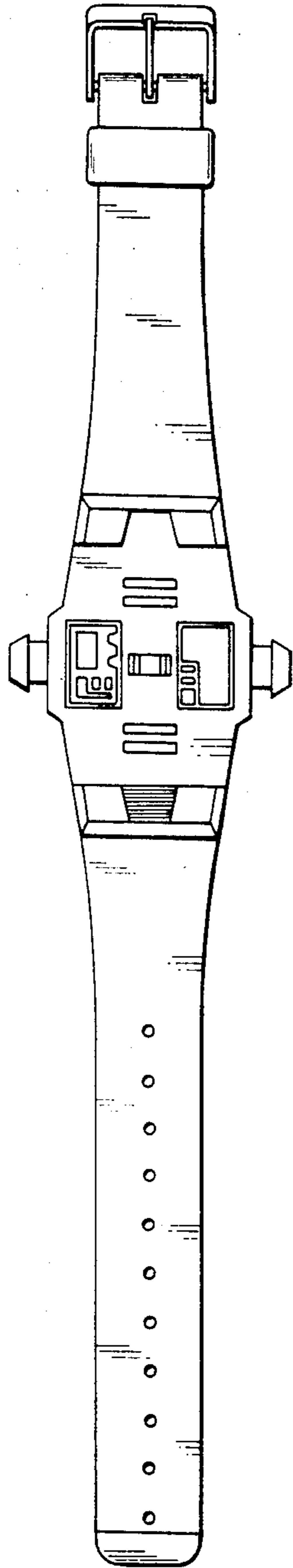


FIG.23

