

[54] **MITRE SAW**

[75] **Inventor: Kohichi Miyamoto, Fukuyama, Japan**

[73] **Assignee: Ryobi Limited, Hiroshima, Japan**

[**] **Term: 14 Years**

[21] **Appl. No.: 574,291**

[22] **Filed: Jan. 26, 1984**

[52] **U.S. Cl. D8/66**

[58] **Field of Search D8/71, 64, 66; D15/133; 83/471.1, 471.2, 471.3, 490, 478; 30/390, 391**

[56] **References Cited**

U.S. PATENT DOCUMENTS

D. 282,346	1/1986	Pioch	D8/66
3,483,901	12/1969	Ray	83/471.3
3,821,918	7/1974	Niehaus et al.	83/478 X
3,873,862	3/1975	Butler	D8/66 X
3,998,121	12/1976	Bennett	83/471.3

FOREIGN PATENT DOCUMENTS

52796 12/1966 German Democratic Rep. ... 30/391

OTHER PUBLICATIONS

Hirsh "Miter-Maker" Advertising brochure.

Primary Examiner—Susan J. Lucas

Assistant Examiner—C. E. Heflin

Attorney, Agent, or Firm—Frishauf, Holtz, Goodman & Woodward

[57] **CLAIM**

The ornamental design for a mitre saw, as shown and described.

DESCRIPTION

FIG. 1 is a front elevational view of the mitre saw showing my new design;
 FIG. 2 is a rear elevational view thereof;
 FIG. 3 is a right side elevational view thereof;
 FIG. 4 is a left side elevational view thereof;
 FIG. 5 is a top plan view thereof;
 FIG. 6 is a bottom plan view thereof; and
 FIG. 7 is a front, left side perspective view thereof shown on a slightly reduced scale.

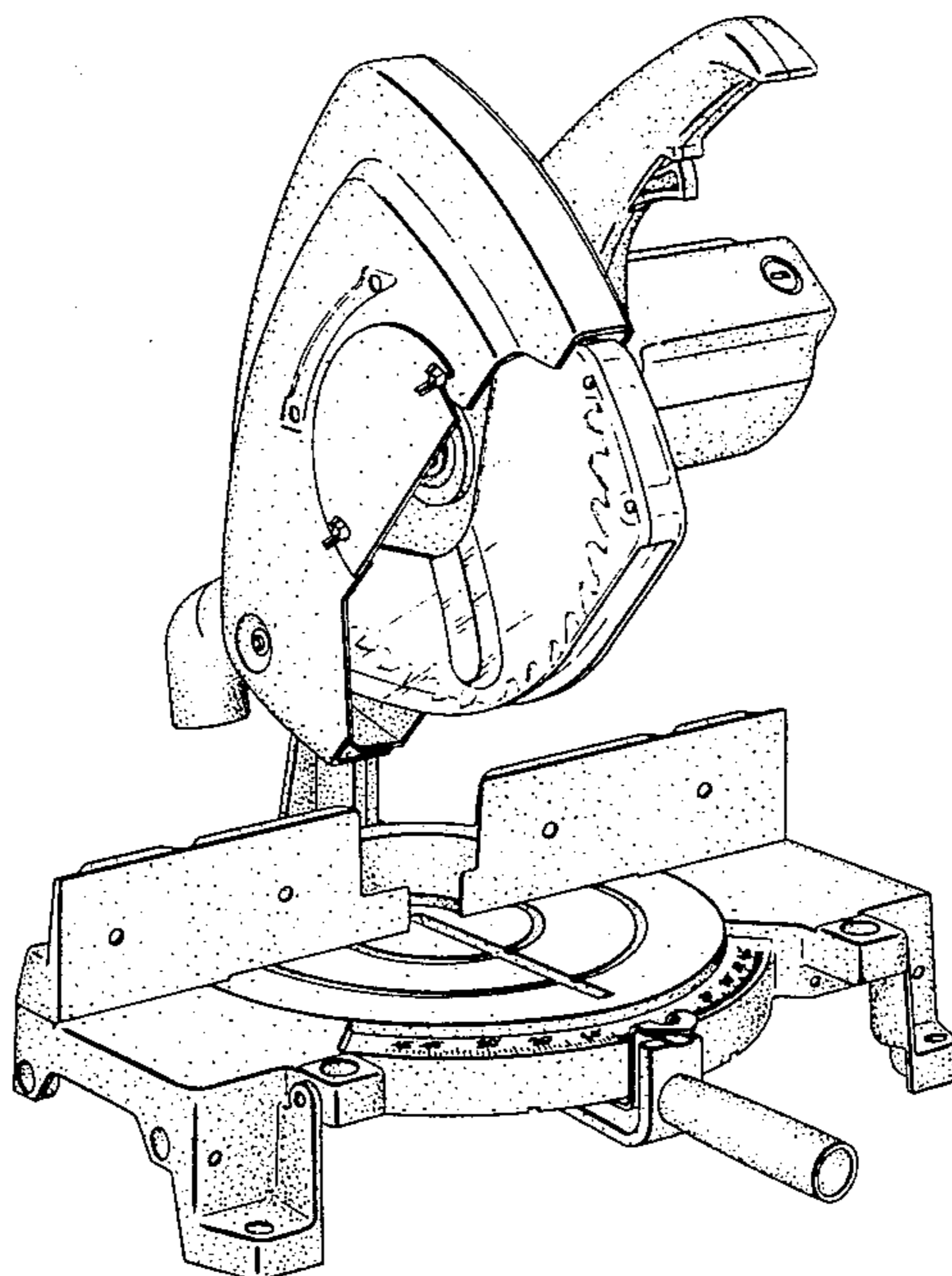


FIG. 1

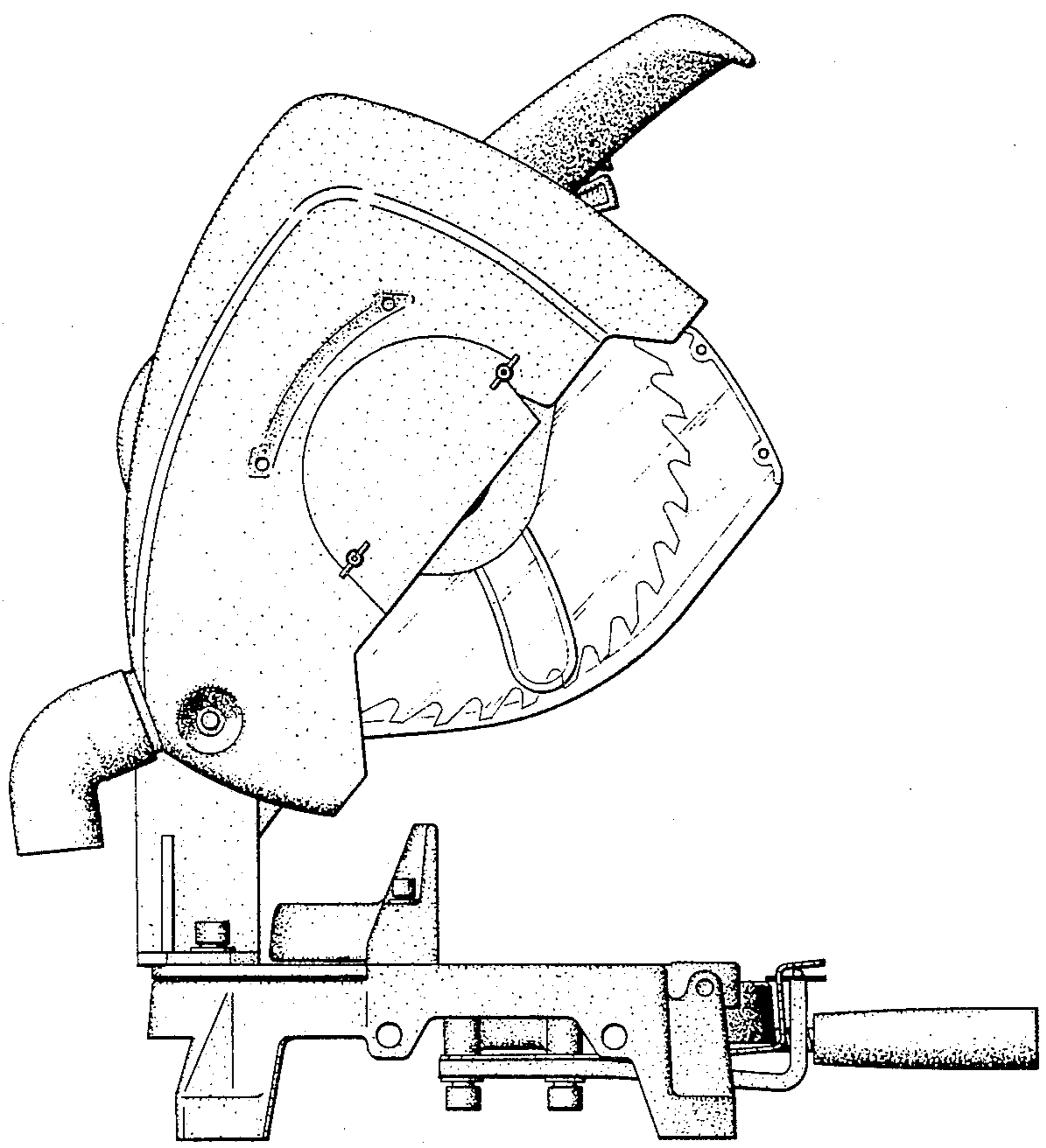


FIG. 2

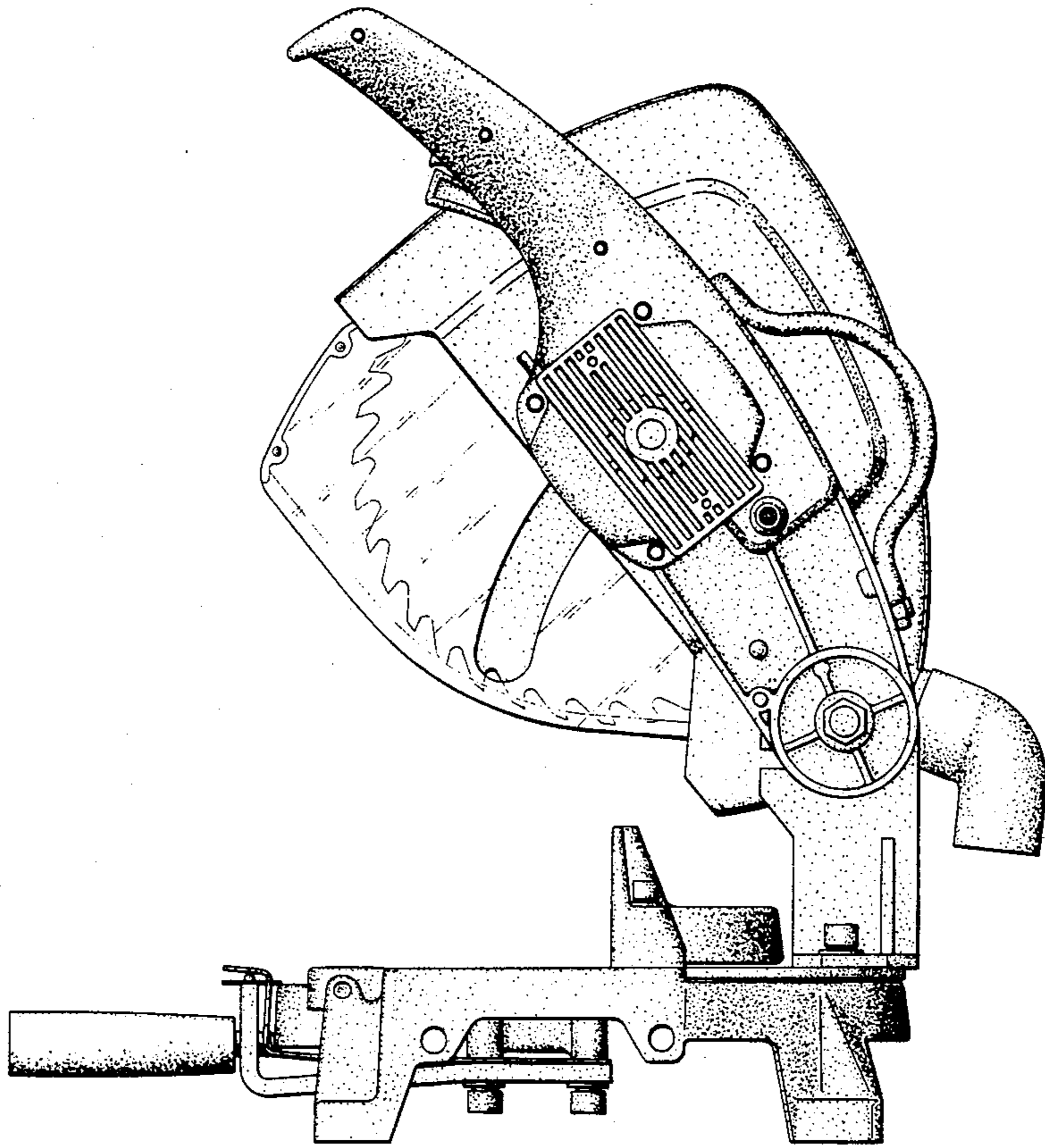


FIG. 3

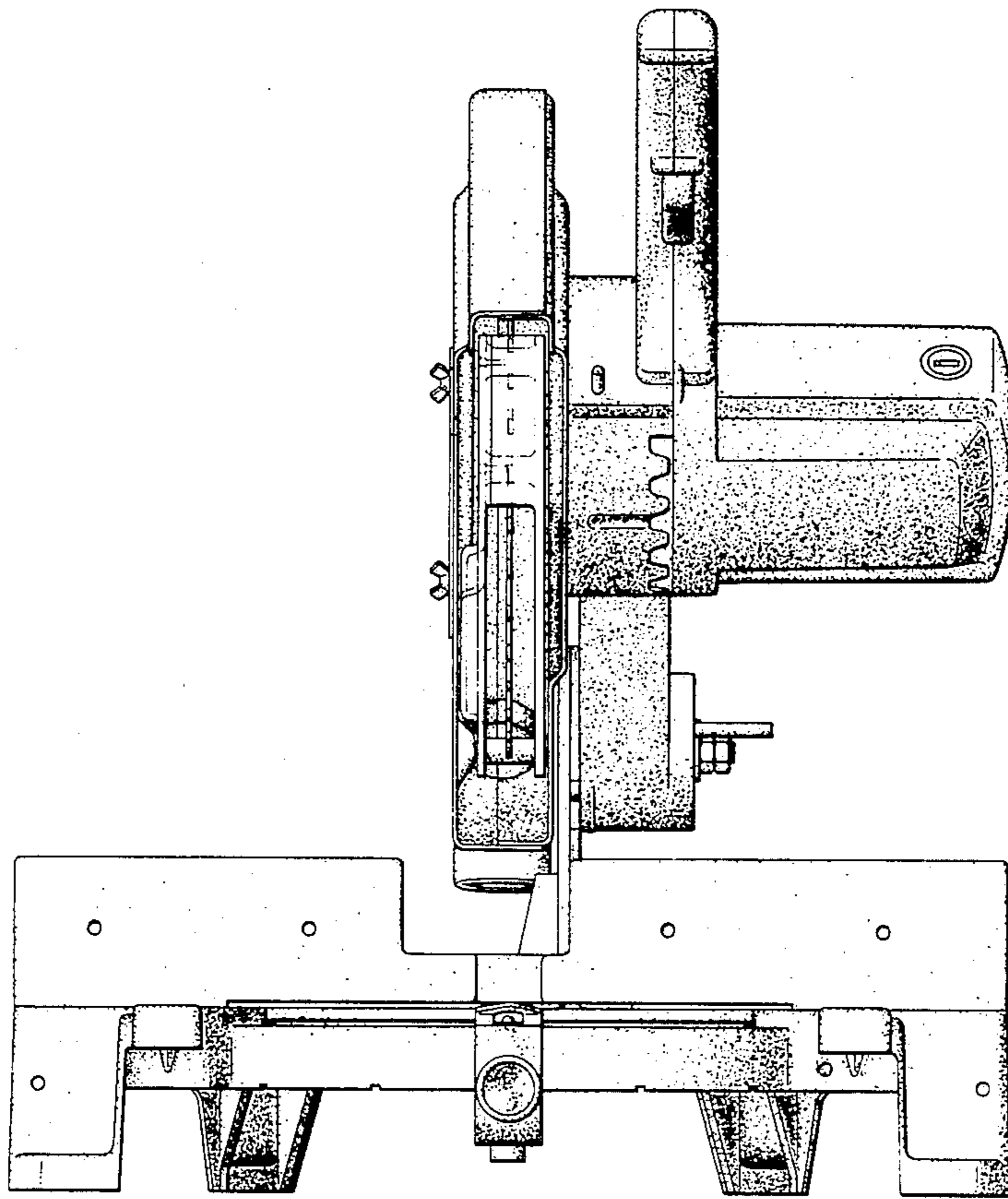
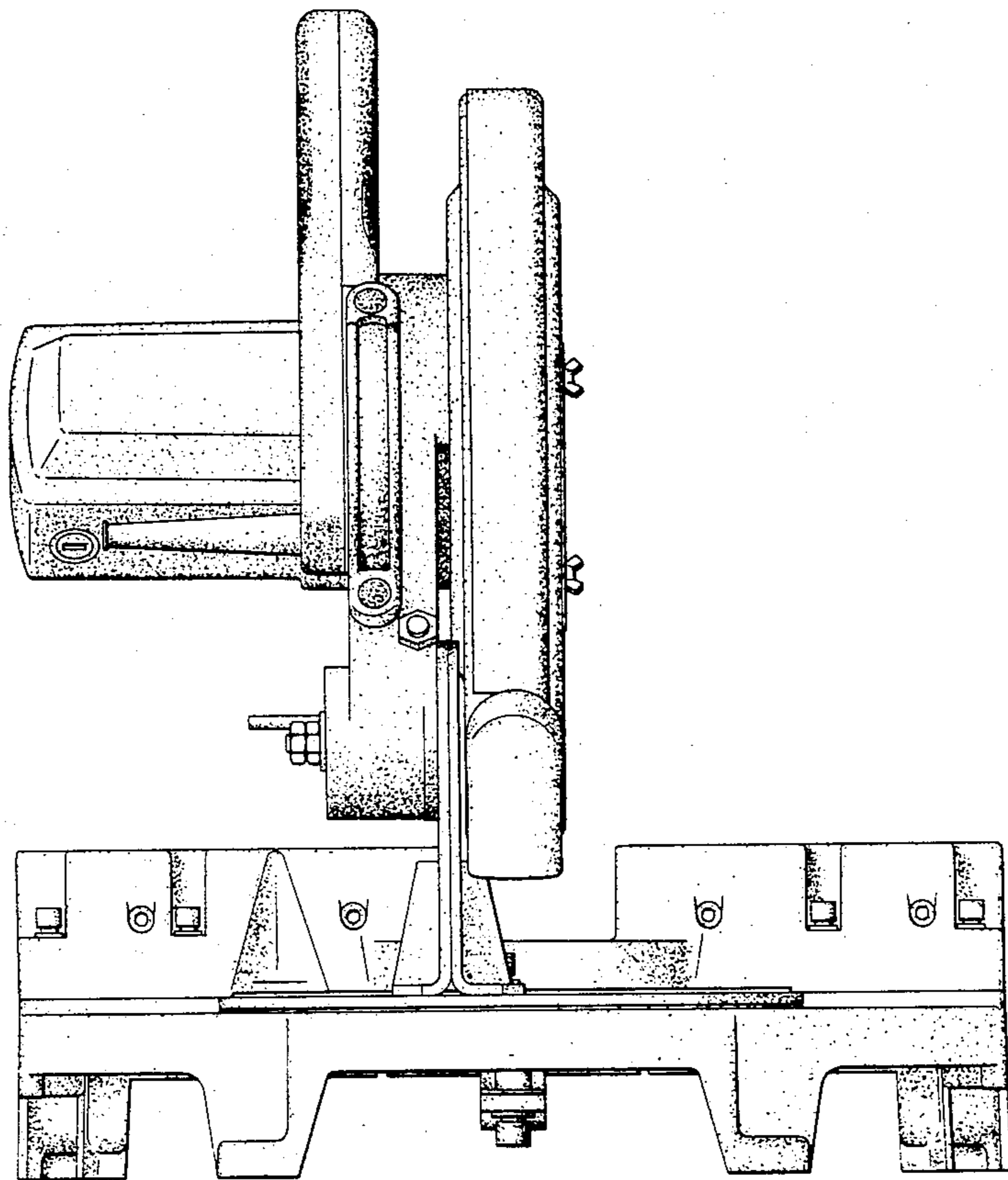


FIG. 4



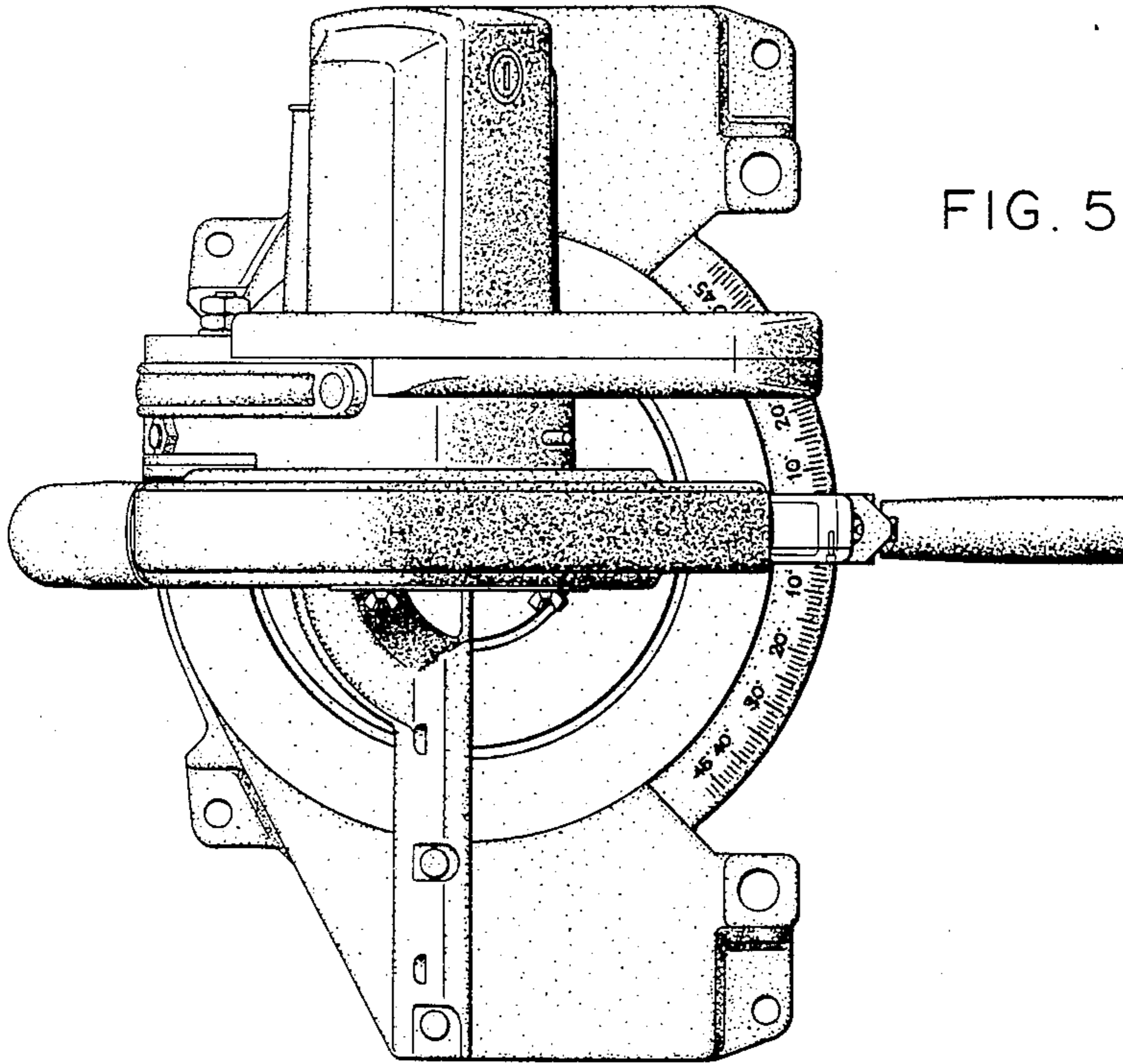


FIG. 5

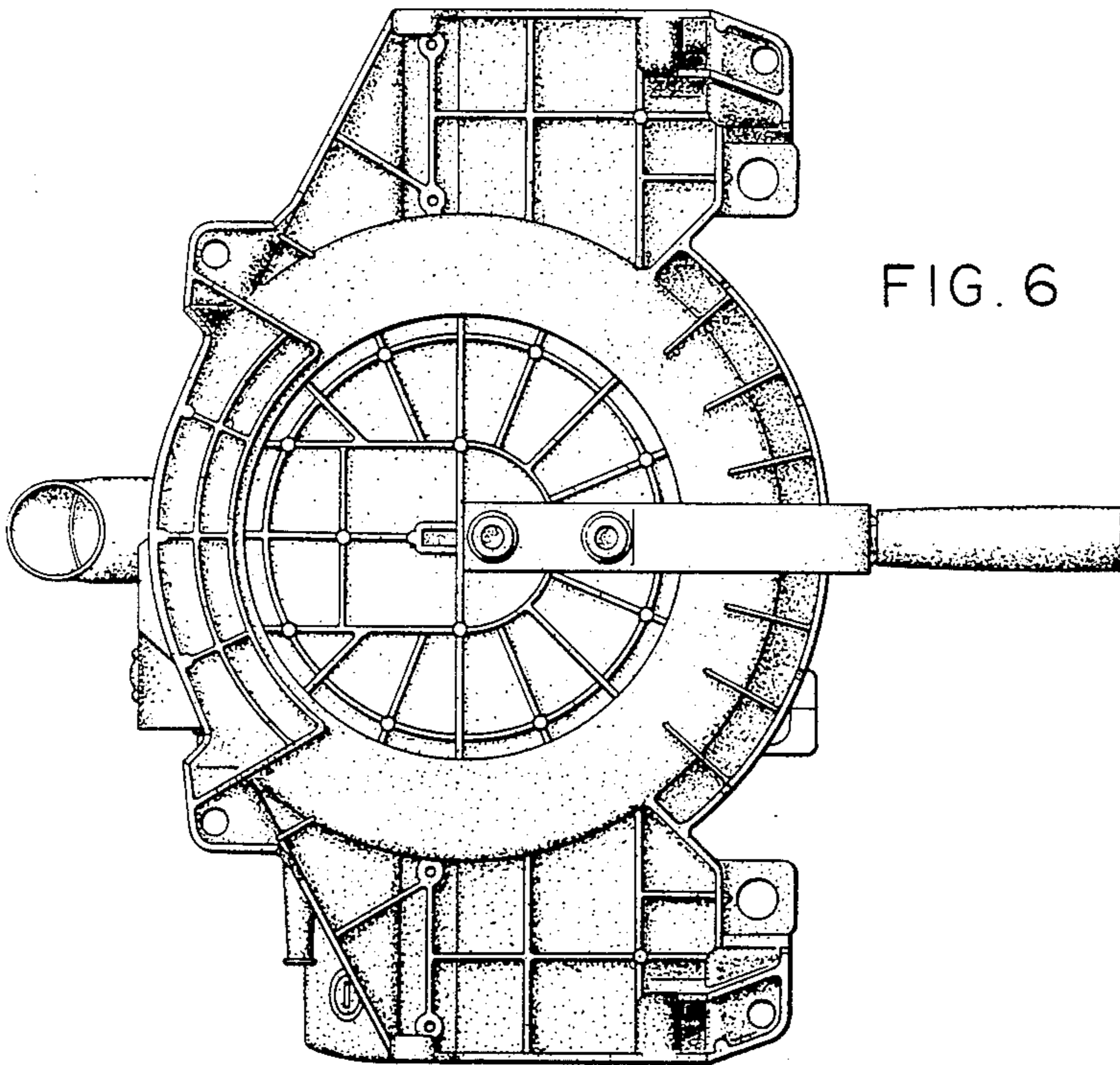


FIG. 6

FIG. 7

