

[54] COMBINED BOTTLE CAP AND LIFT TAB OPENER

1,661,333 3/1928 Gurnett 81/3.09
3,074,592 1/1963 Stocking D8/41 X

[76] Inventor: Raymond C. Janiszewski, 5326 W. Maui La., Glendale, Ariz. 85306

Primary Examiner—Bernard Ansher
Assistant Examiner—Terry Pfeffer
Attorney, Agent, or Firm—Warren F. B. Lindsley

[**] Term: 14 Years

[21] Appl. No.: 625,702

[22] Filed: Jun. 28, 1984

[52] U.S. Cl. D8/40

[58] Field of Search D8/33, 18, 34, 40, 43;
81/3.4, 3.55, 3.09, 3.57

[57] CLAIM

The ornamental design for a combined bottle cap and lift tab opener, as shown and described.

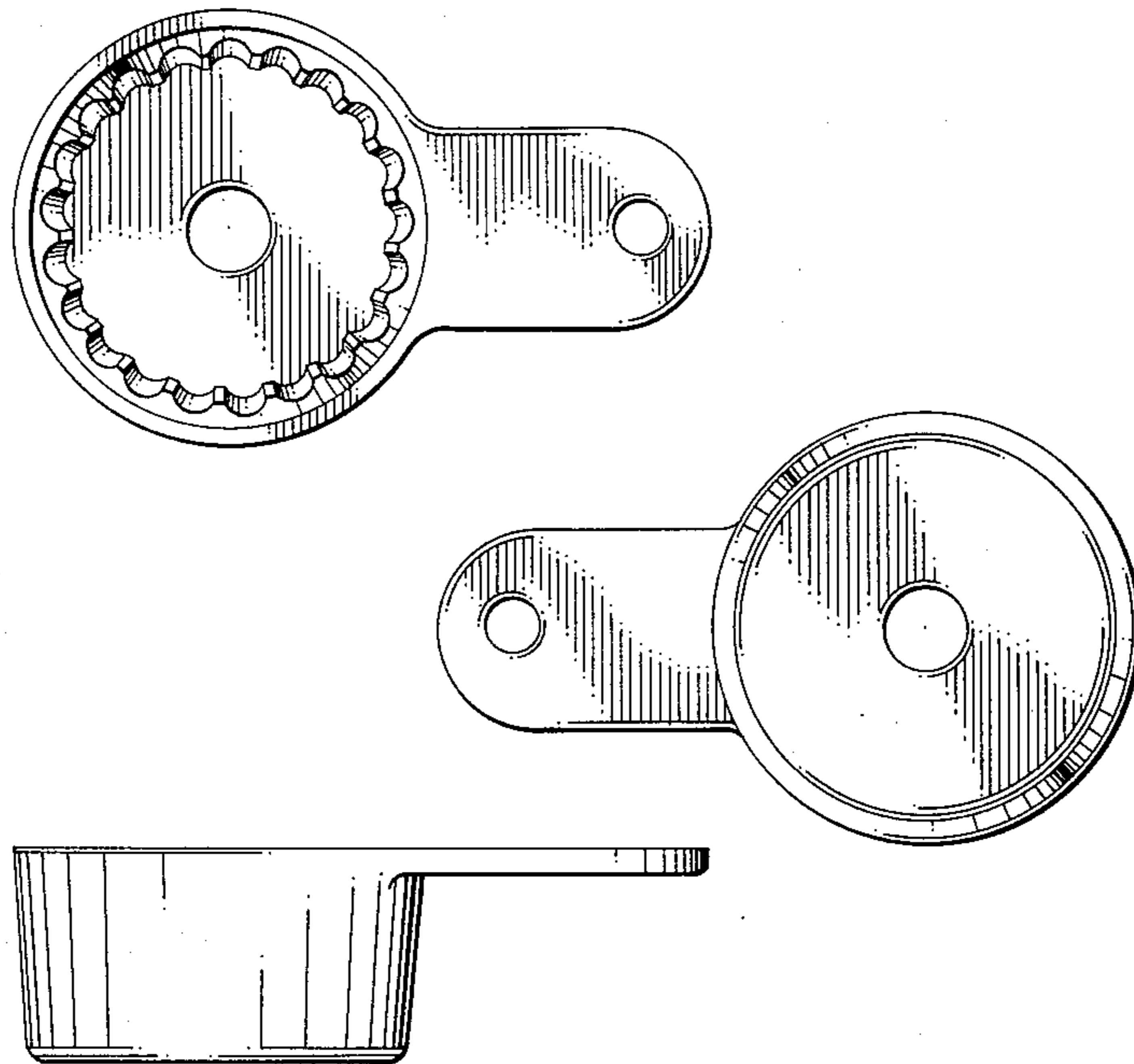
DESCRIPTION

FIG. 1 is a top plan view of a combined bottle cap and lift tab opener showing my new design;
FIG. 2 is a bottom plan view thereof;
FIG. 3 is a front elevational view thereof, the opposite side being a mirror image;
FIG. 4 is a right side elevational view thereof; and
FIG. 5 is a left side elevational view thereof.

[56] References Cited

U.S. PATENT DOCUMENTS

- D. 172,571 7/1954 Ward 81/3.09 X
- D. 277,725 2/1985 Silkebakken et al. D8/40
- 1,007,502 10/1911 Stephens 81/3.57 X



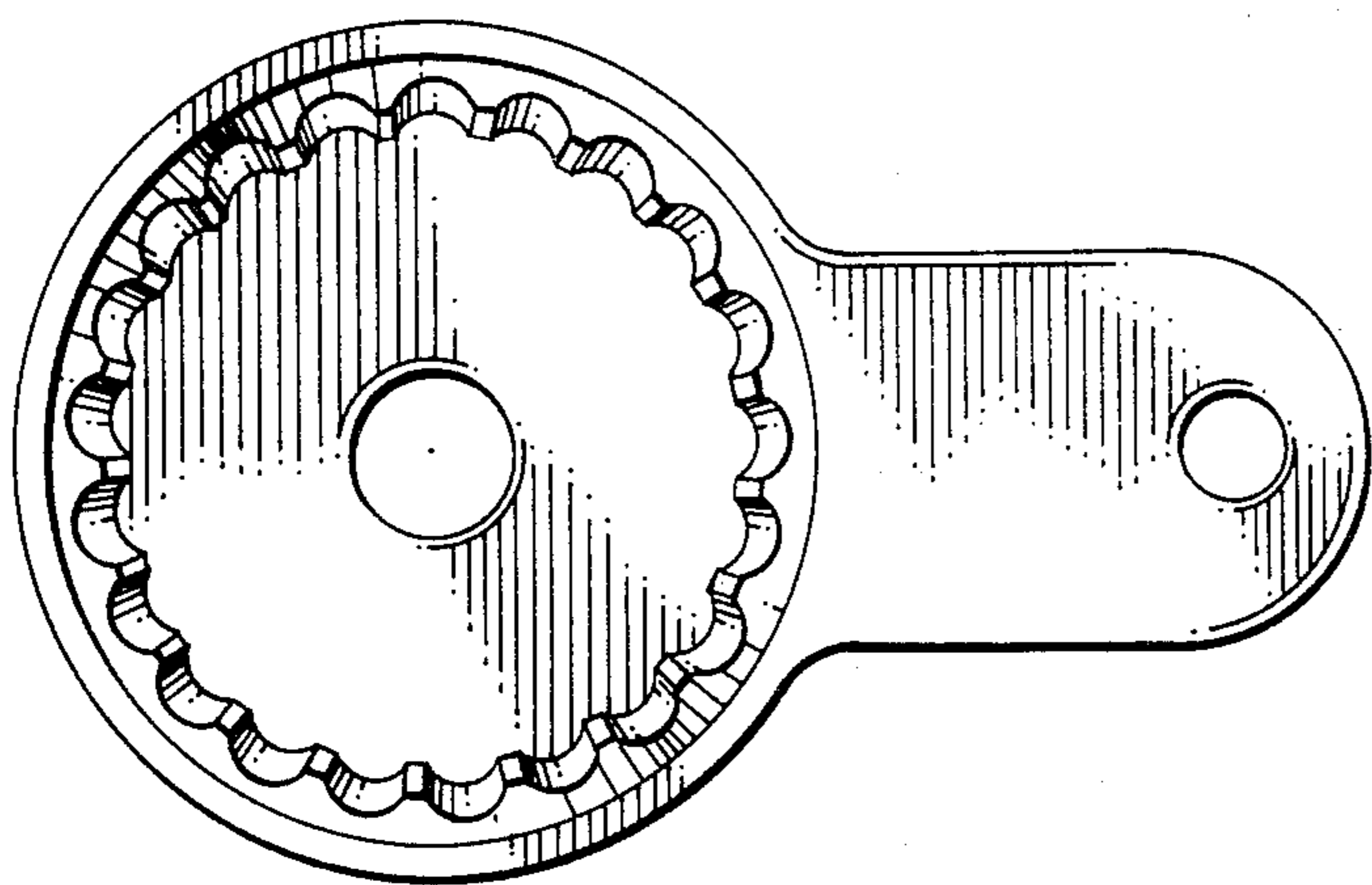


FIG. 1

FIG. 2

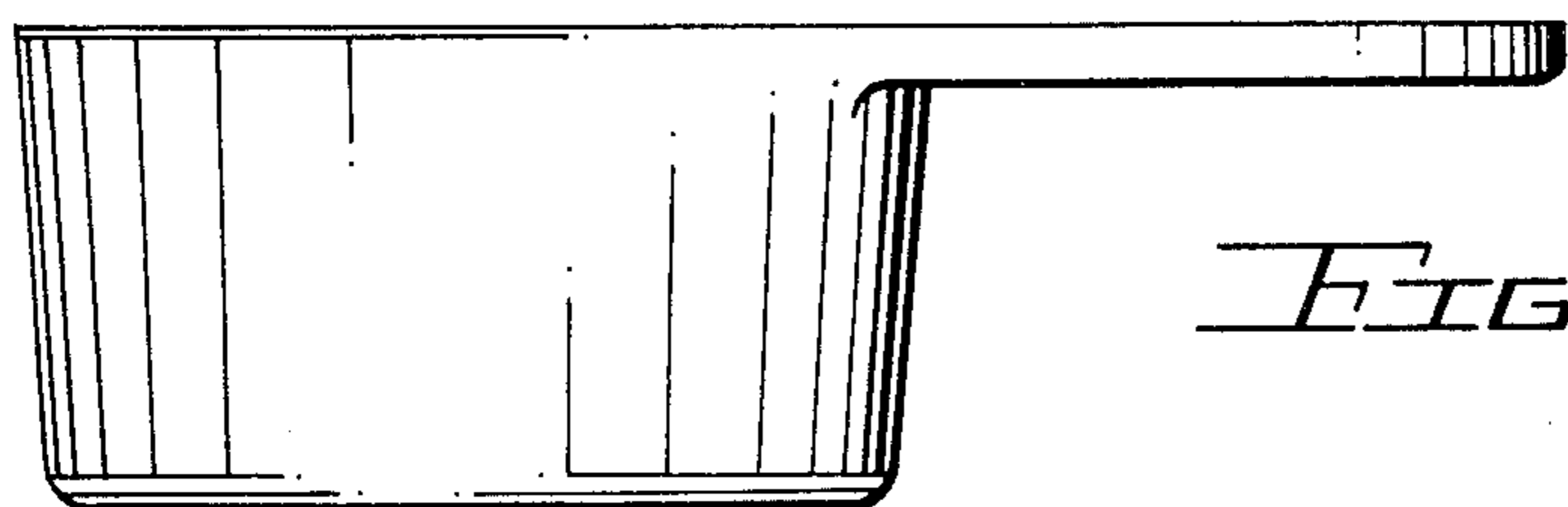
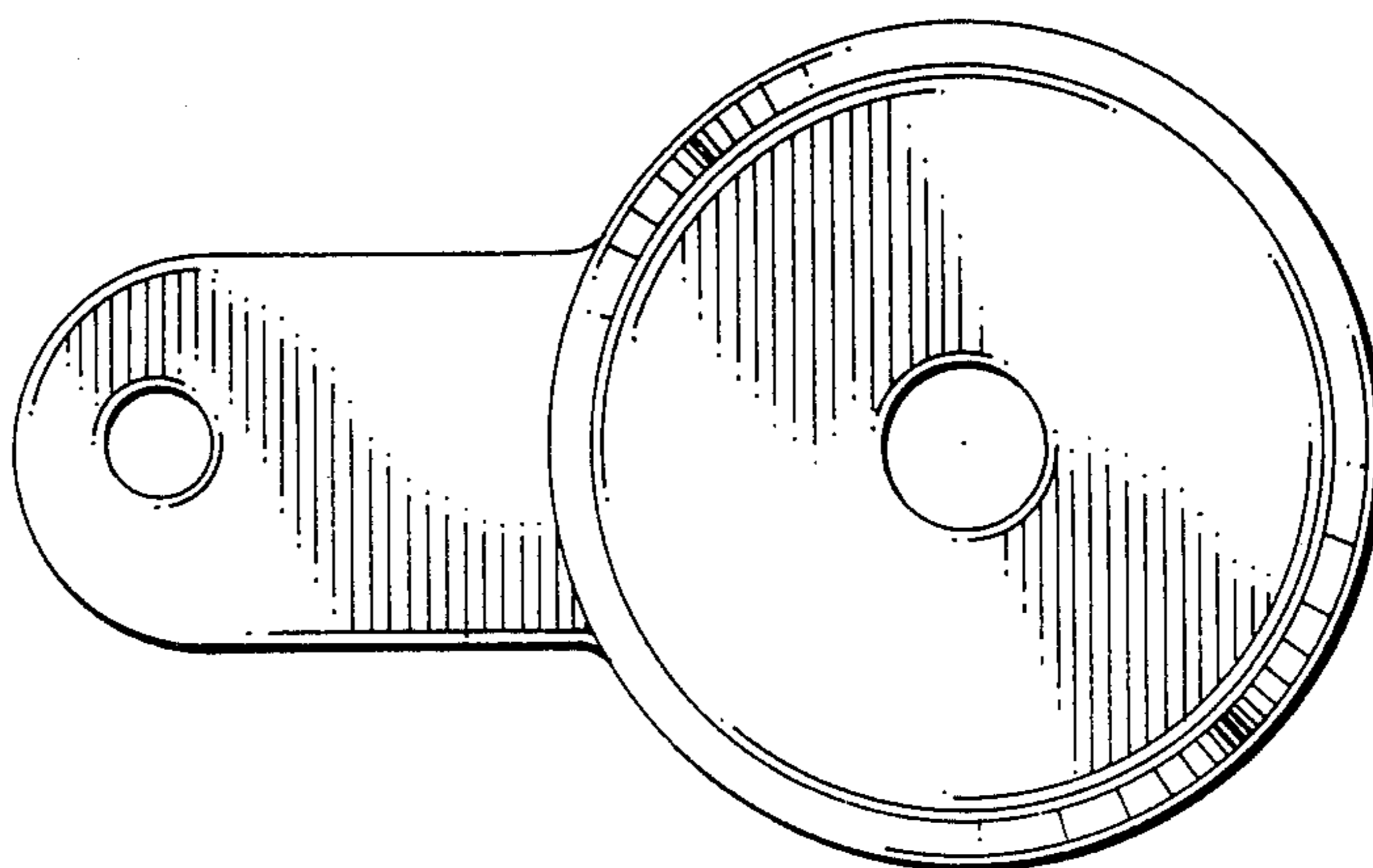


FIG. 3

FIG. 4

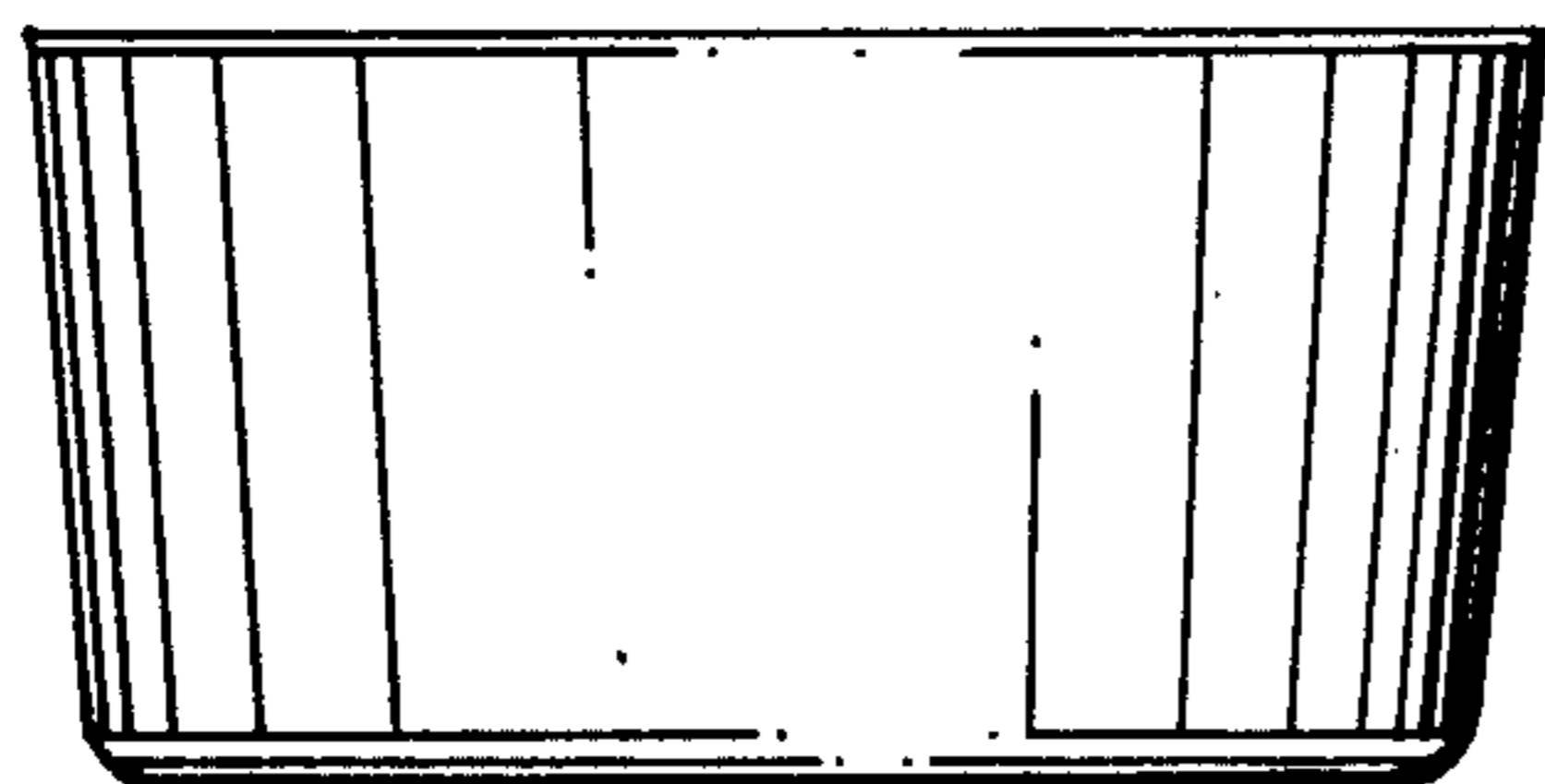
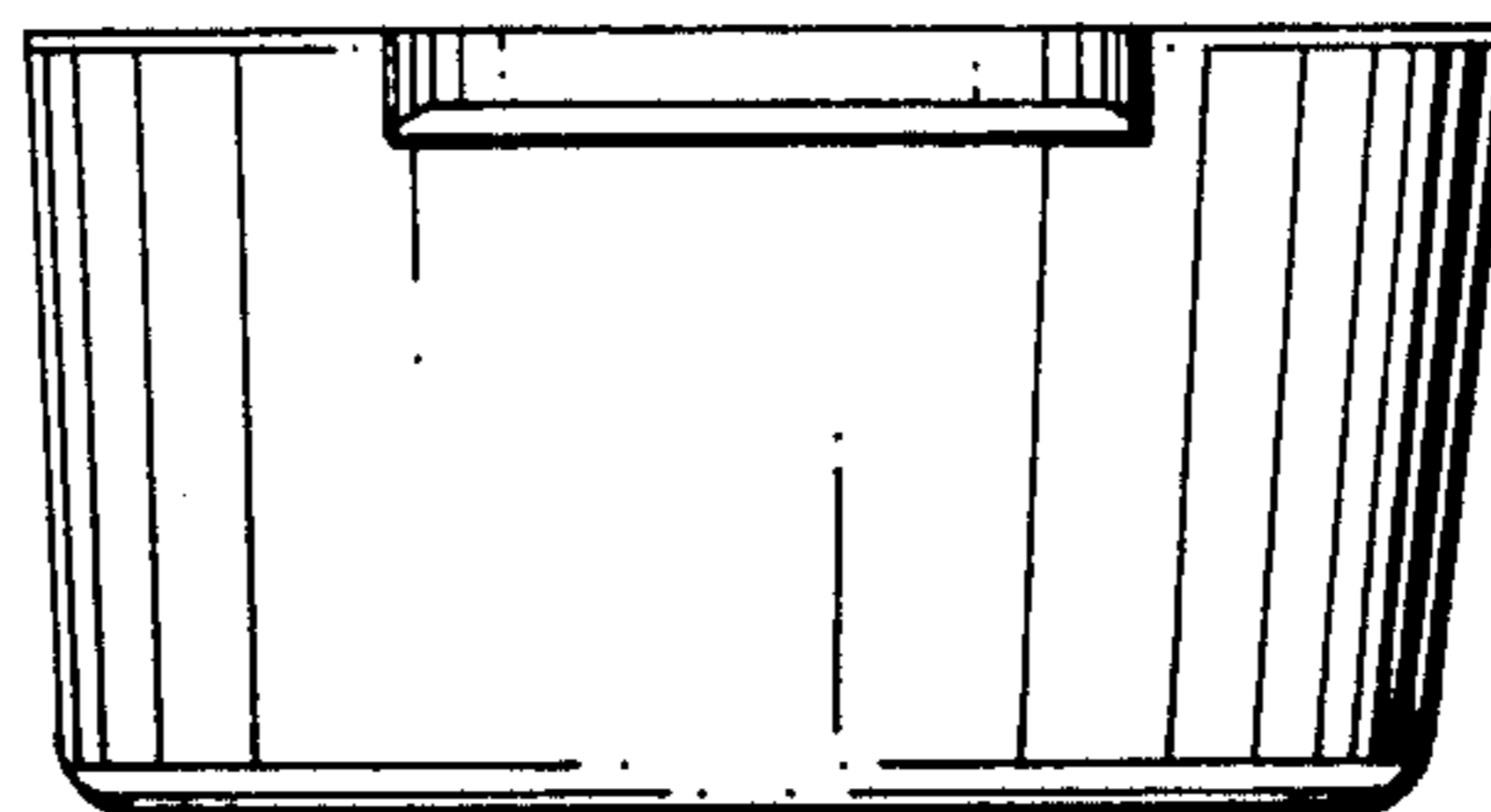


FIG. 5