

[54] COVERED PITCHER OR THE LIKE

[75] Inventors: Rino Conti, Stoughton, Mass.; Jody A. Trivison, Wooster, Ohio

[73] Assignee: Dart Industries Inc., Northbrook, Ill.

[**] Term: 14 Years

[21] Appl. No.: 579,070

[22] Filed: Feb. 10, 1984

[52] U.S. Cl. D7/317; D7/40

[58] Field of Search D7/312, 316-322, D7/310, 79, 81, 77, 40, 391, 392, 39, 17

[56] References Cited

U.S. PATENT DOCUMENTS

| | | | | |
|------------|---------|---------------|-------|----------|
| D. 80,976 | 4/1930 | Tebieff | | D7/17 |
| D. 165,778 | 1/1952 | Olsen | | D7/40 X |
| D. 220,773 | 5/1971 | Dilyard | | D7/317 |
| D. 254,239 | 2/1980 | Morin | | D7/317 |
| D. 254,240 | 2/1980 | Morin | | D7/321 |
| D. 258,037 | 1/1981 | Conti | | D7/316 X |
| D. 276,401 | 11/1984 | Daenen et al. | | D7/79 |
| D. 280,281 | 8/1985 | Conti et al. | | D7/79 |
| 3,760,972 | 9/1973 | McKirnan | | D7/321 X |

FOREIGN PATENT DOCUMENTS

1101749 10/1955 France D7/316 X

OTHER PUBLICATIONS

Advertisement of Taiwan Sin Kang Ying Industrial Co., Ltd., published in Aug., 1980 issue of Taiwan International Trade magazine.

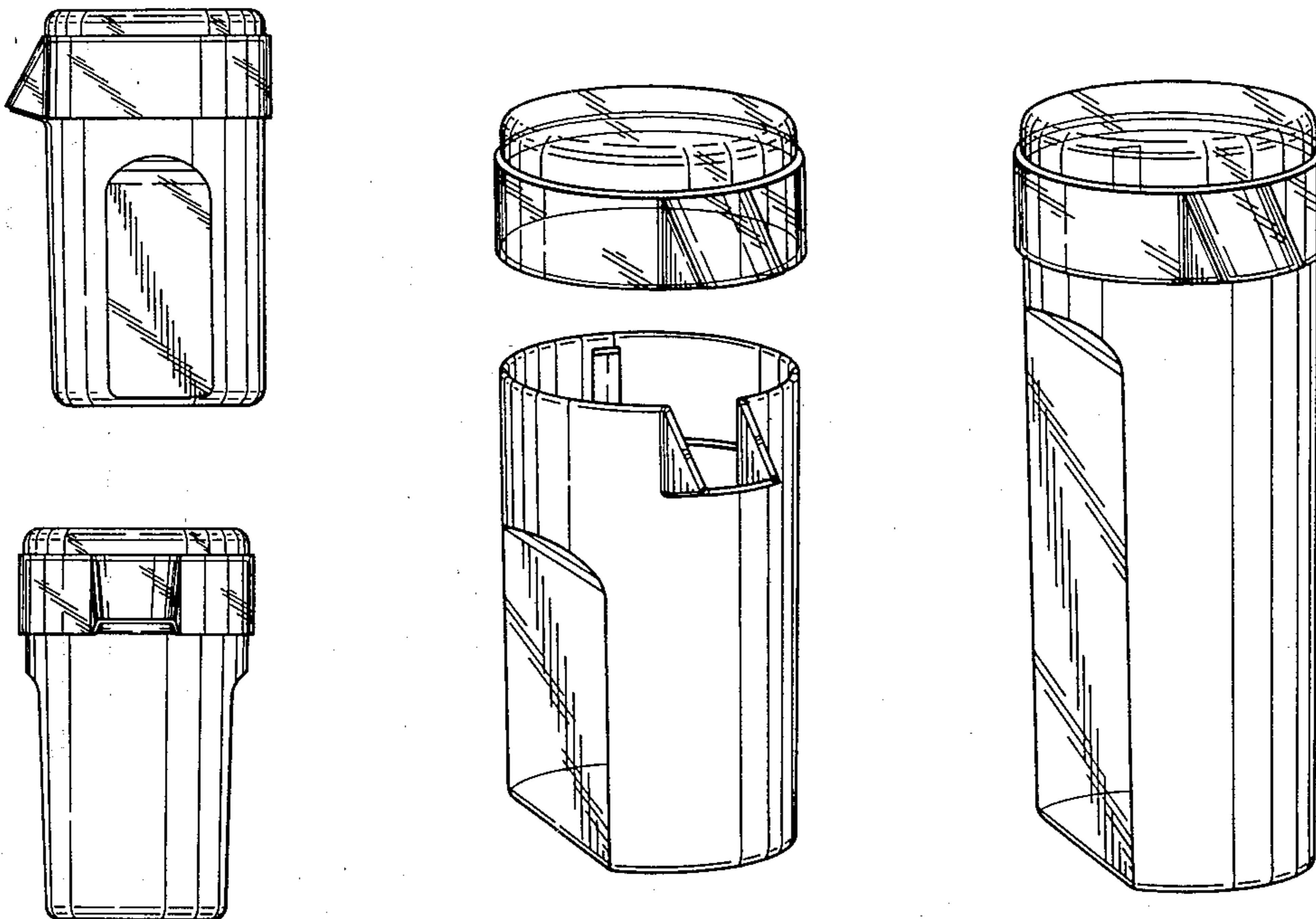
Primary Examiner—Winifred E. Herrmann
Attorney, Agent, or Firm—A. Lewis Worthem, Jr.

[57] CLAIM

The ornamental design for a covered pitcher or the like, as shown and described.

DESCRIPTION

FIG. 1 is a top and left side perspective view of a covered pitcher or the like showing our new design; FIG. 2 is a front elevational view thereof; FIG. 3 is a right side elevational view thereof, the left side being identical but reversed; FIG. 4 is a rear elevational view thereof; FIG. 5 is a top plan view thereof; FIG. 6 is a bottom plan view thereof; FIG. 7 is a perspective view similar to FIG. 1 but showing the cover partially removed; FIG. 8 is a top and left side perspective view of an alternate embodiment of our design, identical to the embodiment of FIGS. 1-7 except in height.



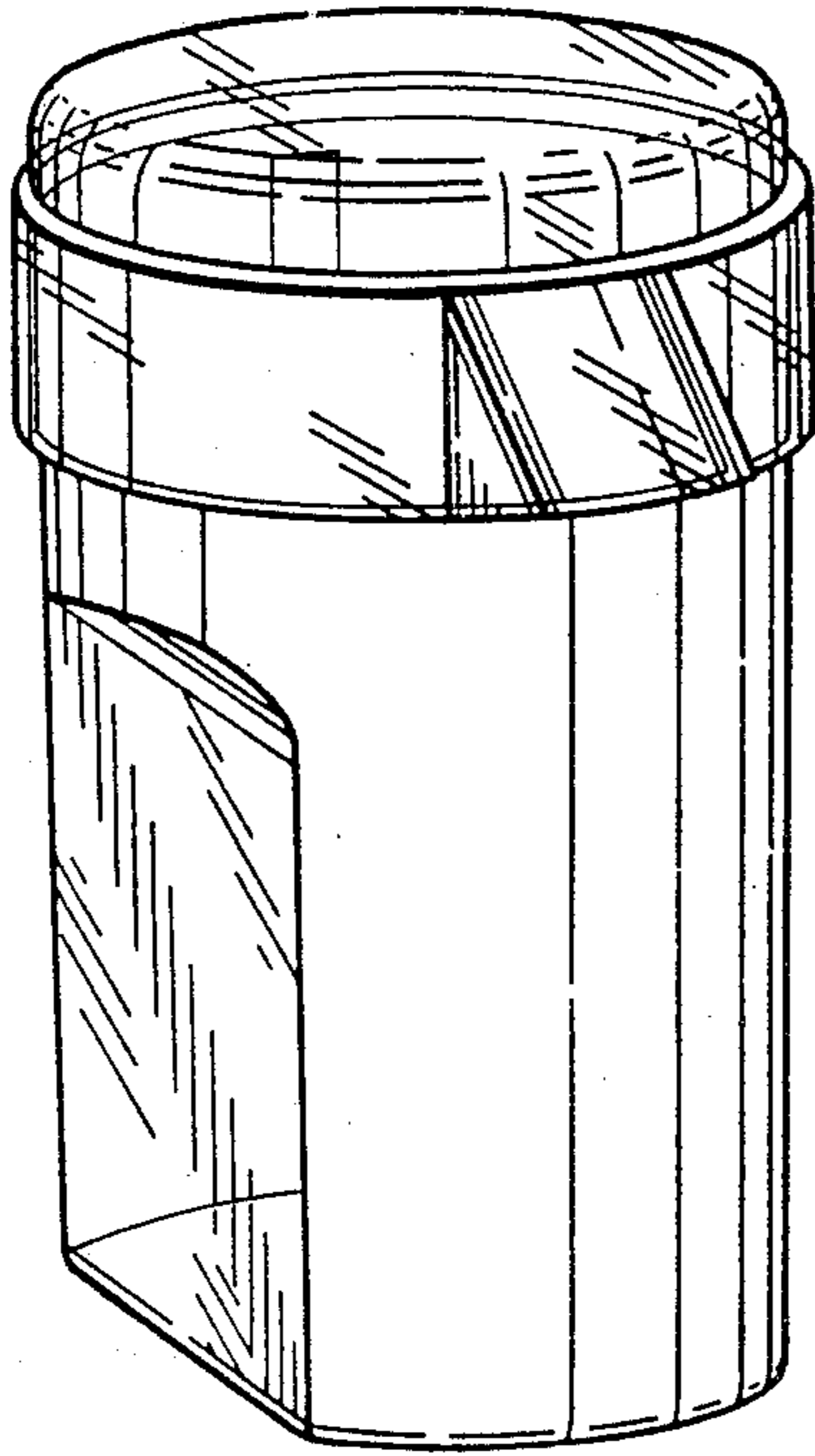


FIG. 1

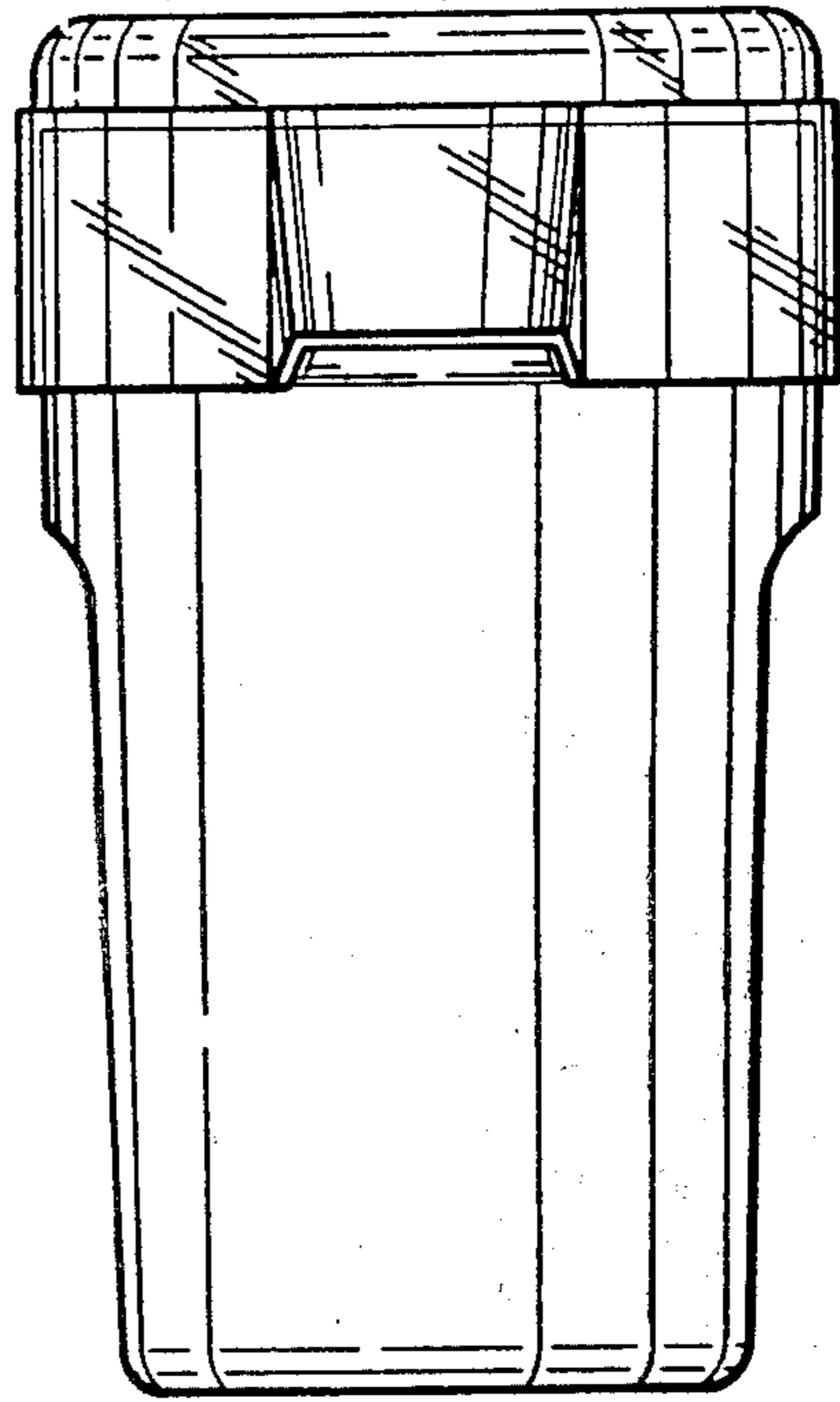


FIG. 2

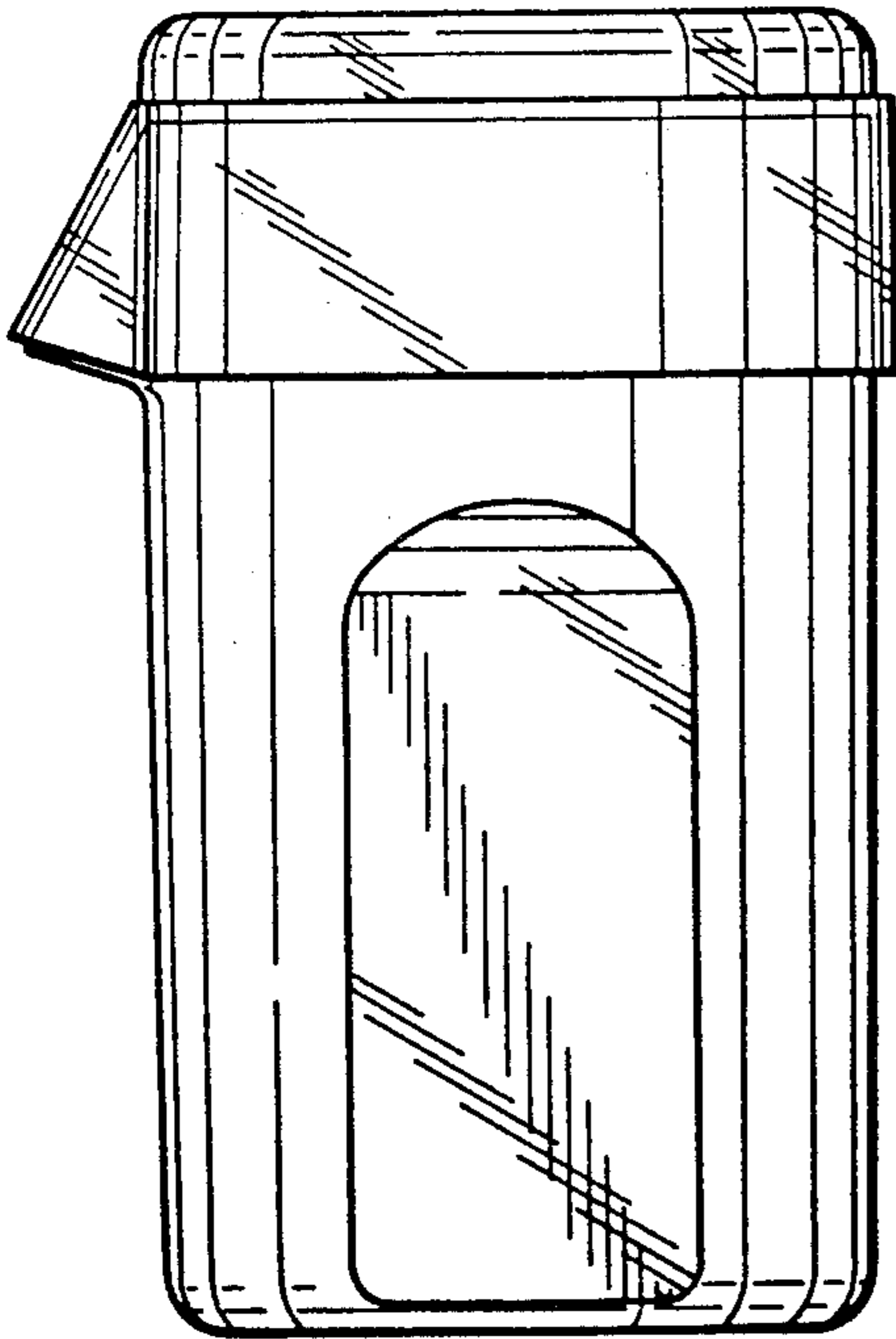


FIG. 3

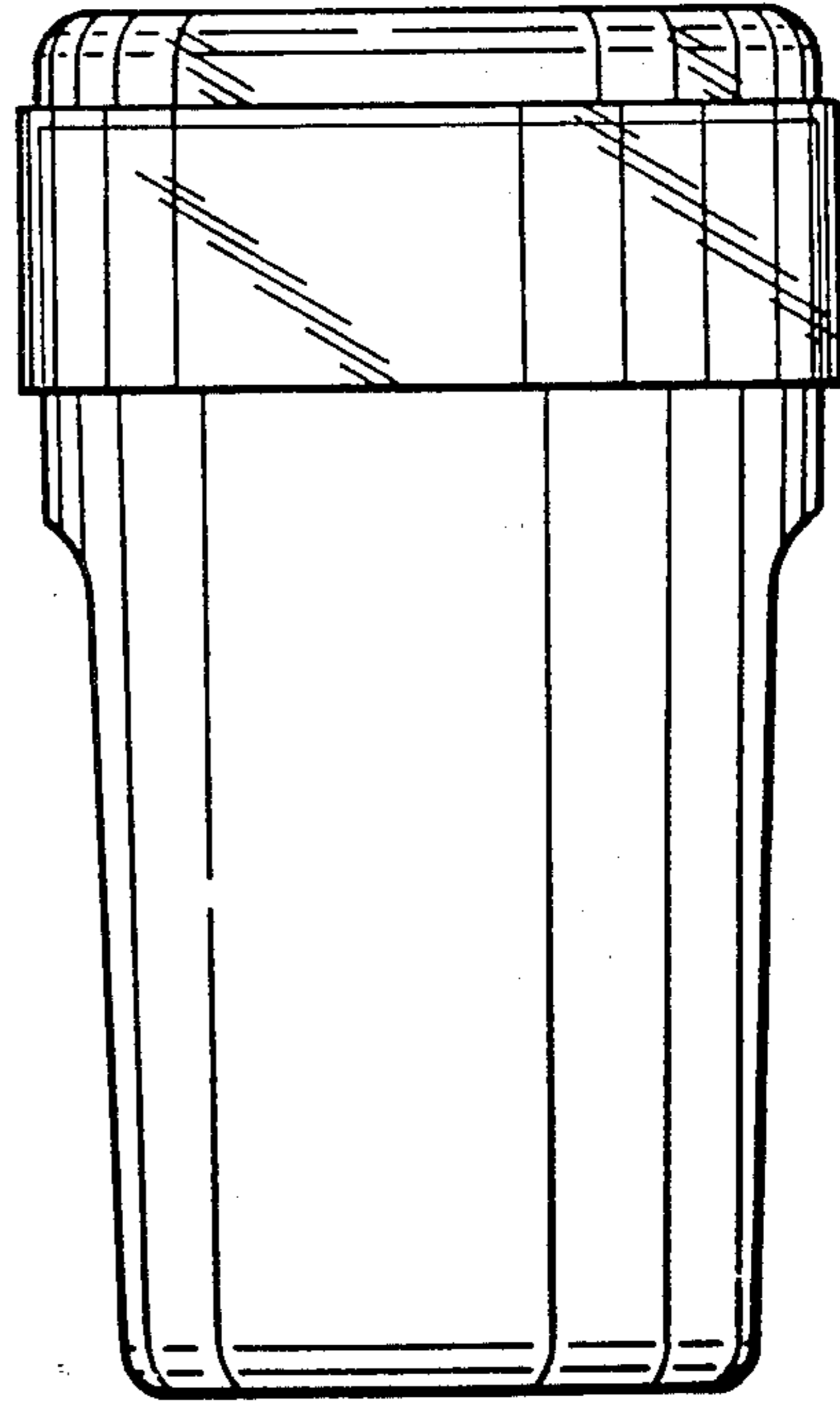


FIG. 4

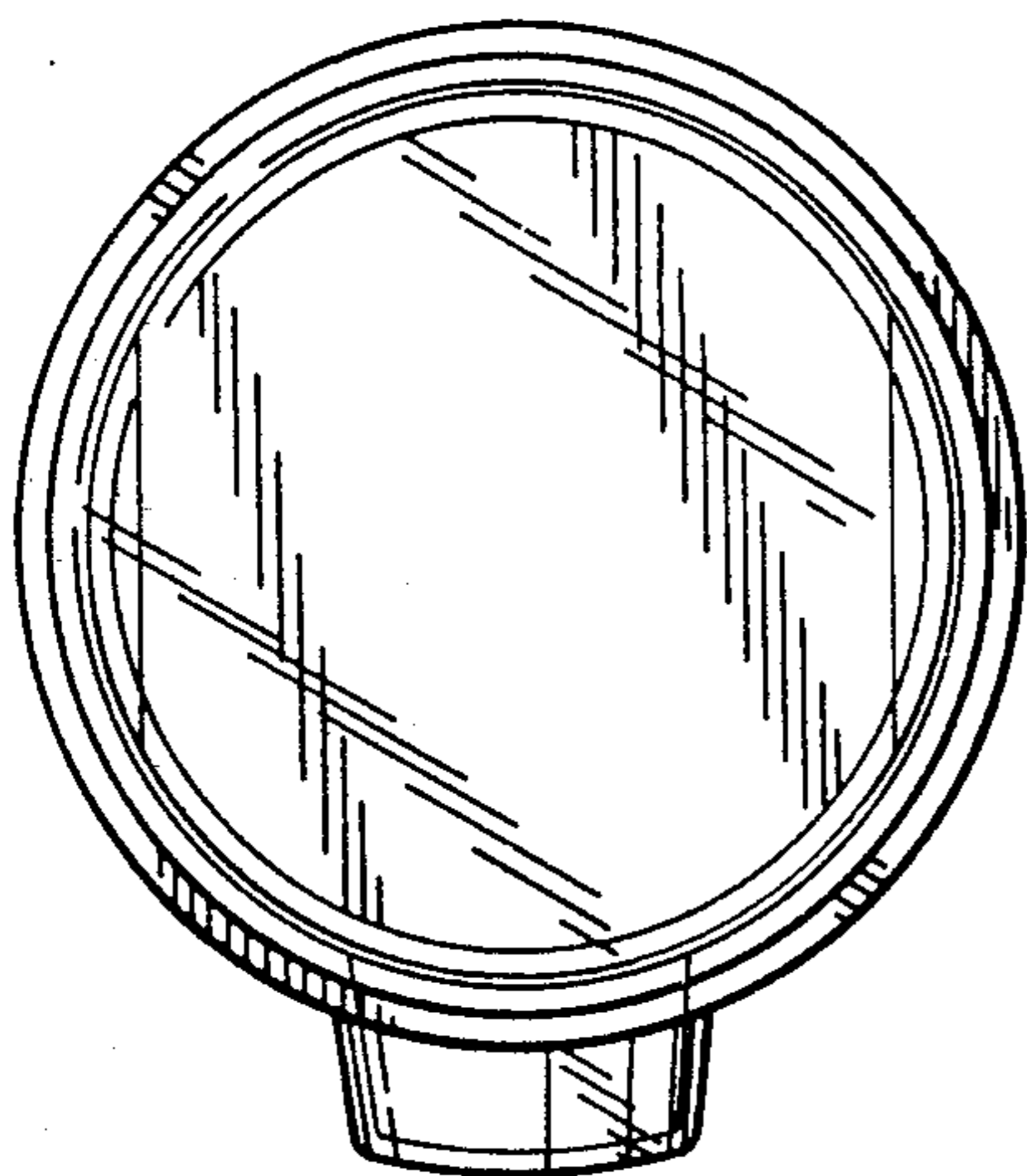


FIG. 5

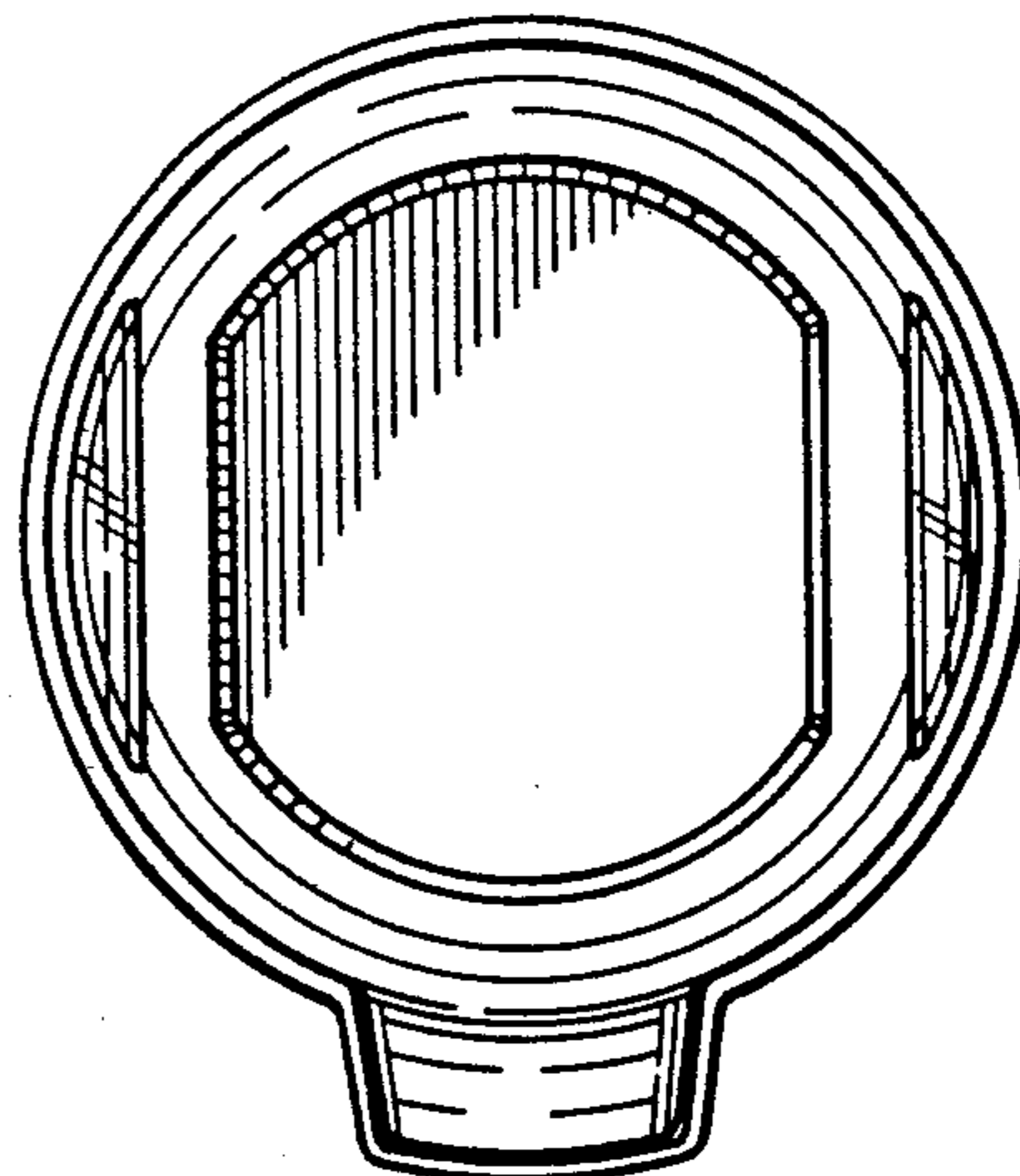


FIG. 6

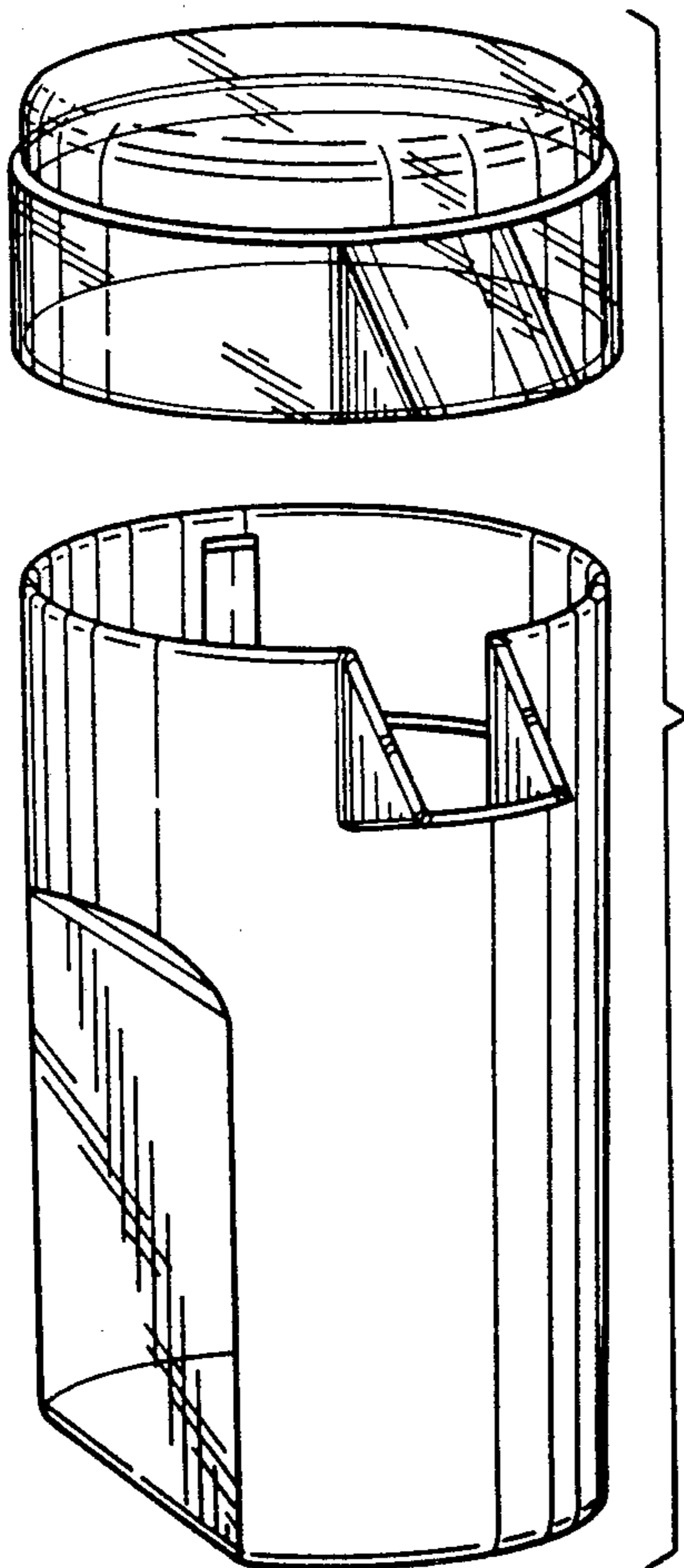


FIG. 7

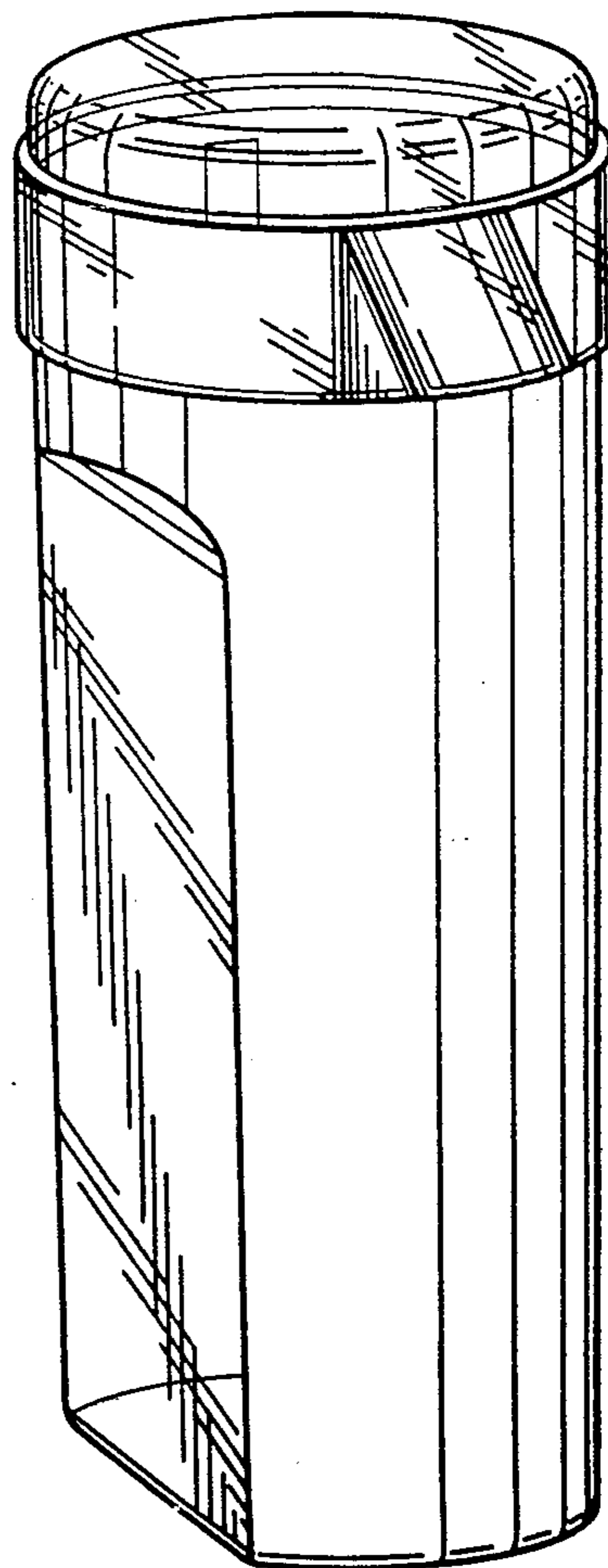


FIG. 8