

[54] LIQUID HEATER AND DISPENSER FOR BEVERAGES OR THE LIKE

[75] Inventor: Norman A. Steinkamp, LaGrange Park, Ill.

[73] Assignee: John Zink Company, Tulsa, Okla.

[\*\*] Term: 14 Years

[21] Appl. No.: 634,233

[22] Filed: Jul. 24, 1984

[52] U.S. Cl. .... D7/309

[58] Field of Search ..... D7/309, 308, 300, 310, D7/311, 305, 306, 307

[56] References Cited

U.S. PATENT DOCUMENTS

- D. 185,626 7/1959 Craig et al. .... D7/311 X
- D. 235,816 7/1975 Hall ..... D7/308

- D. 244,824 6/1977 Bluestein ..... D7/309
- D. 265,041 6/1982 Lee et al. .... D7/309
- D. 268,977 5/1983 Marotta ..... D7/309
- 3,878,360 4/1975 Augustine et al. .... D7/309 X

Primary Examiner—Winifred E. Herrmann  
Attorney, Agent, or Firm—Neil M. Rose

[57] CLAIM

The ornamental design for a liquid heater and dispenser for beverages or the like, as shown and described.

DESCRIPTION

FIG. 1 is a top front perspective view of a liquid heater and dispenser for beverages or the like showing my new design;

FIG. 2 is a front elevational view thereof;

FIG. 3 is a top plan view thereof;

FIG. 4 is a left side elevational view thereof;

FIG. 5 is a rear elevational view thereof; and

FIG. 6 is a bottom plan view thereof.

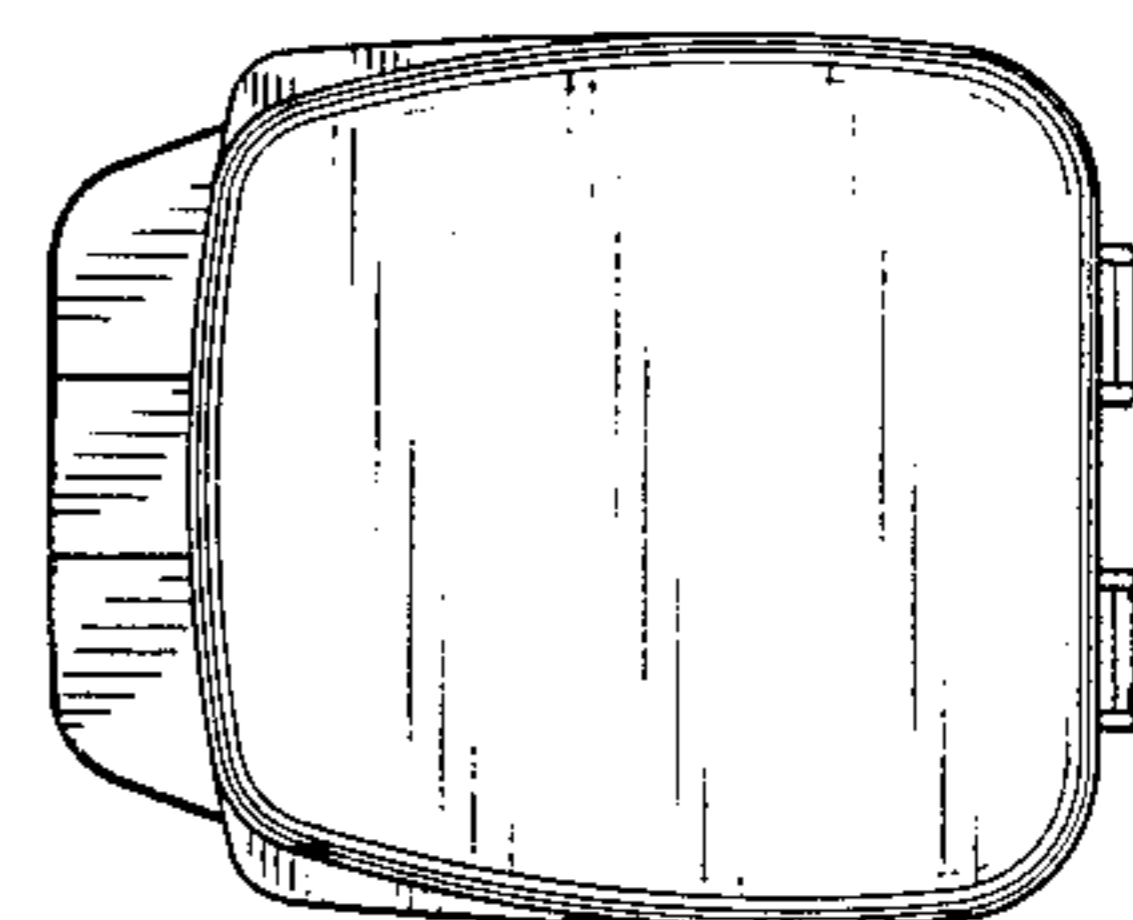
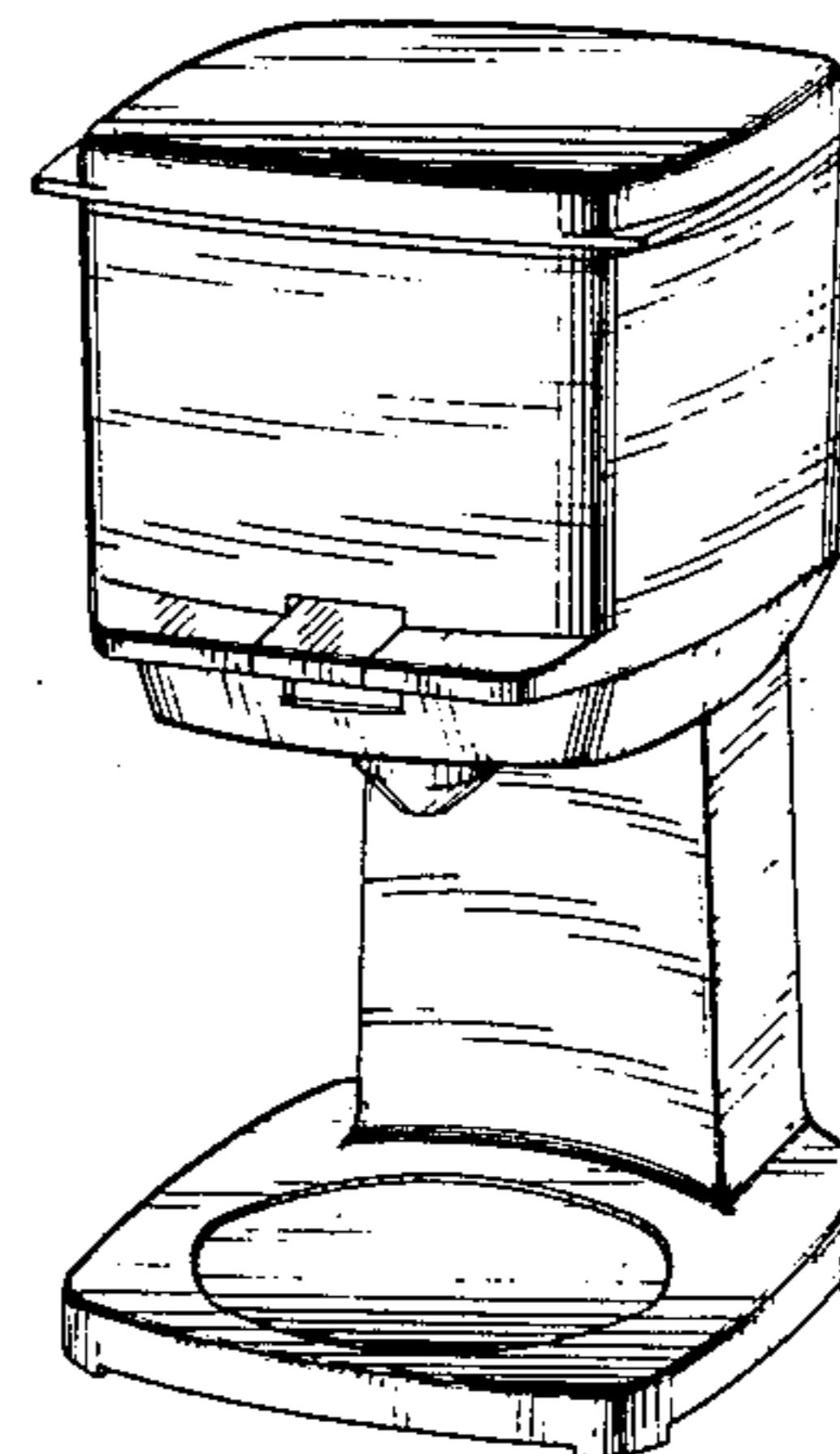
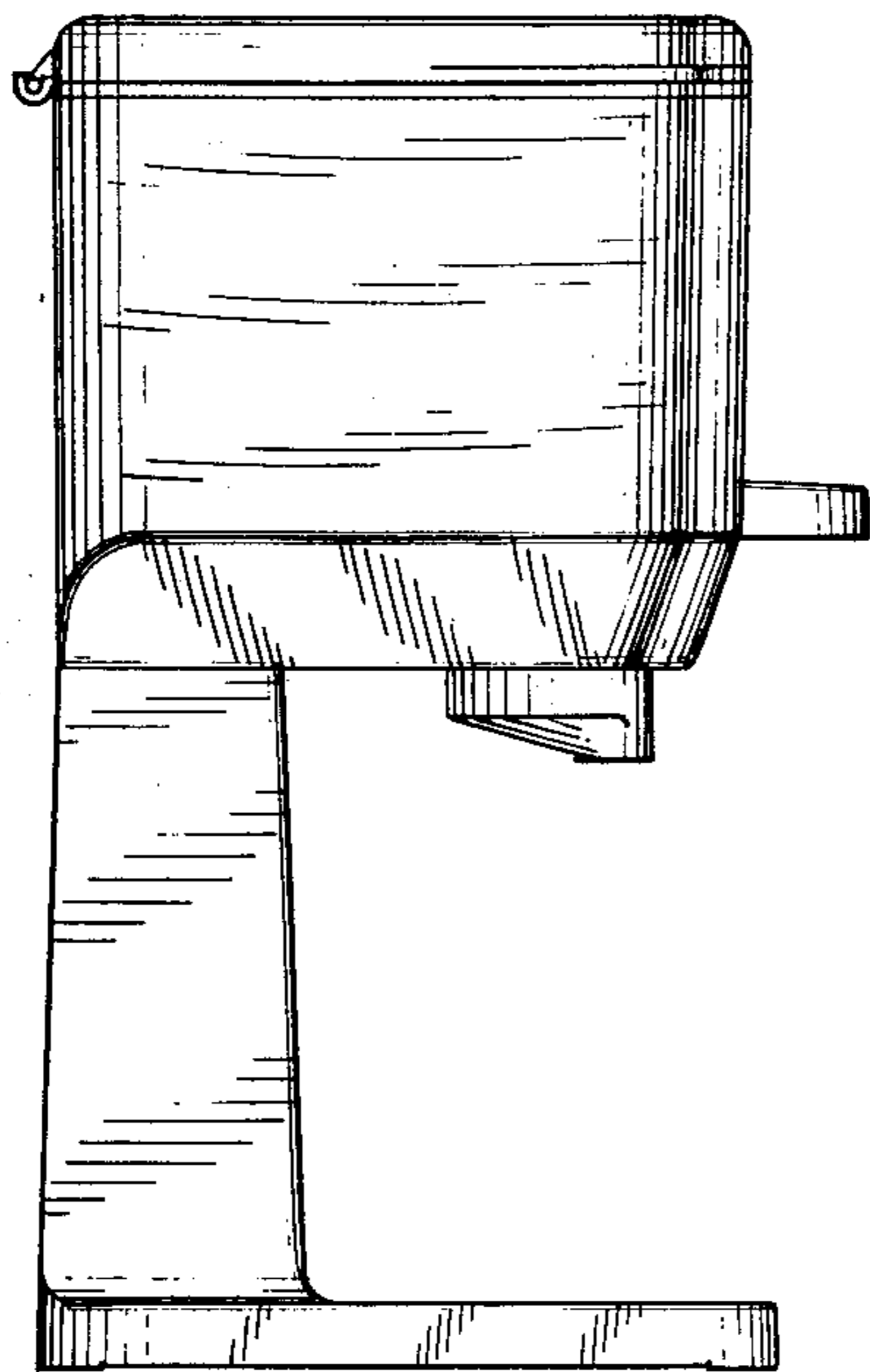


Fig. 1.

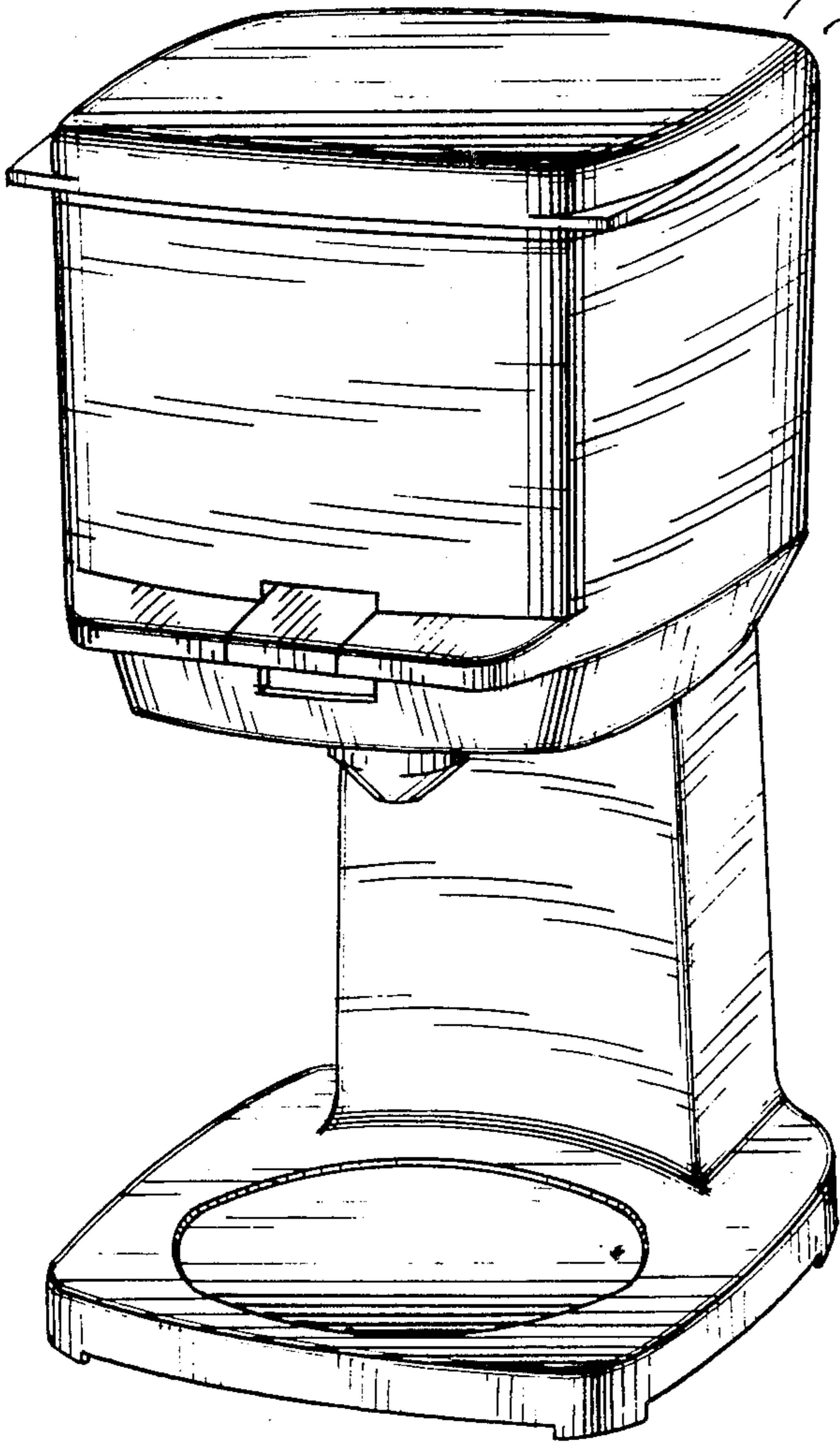


Fig. 2.

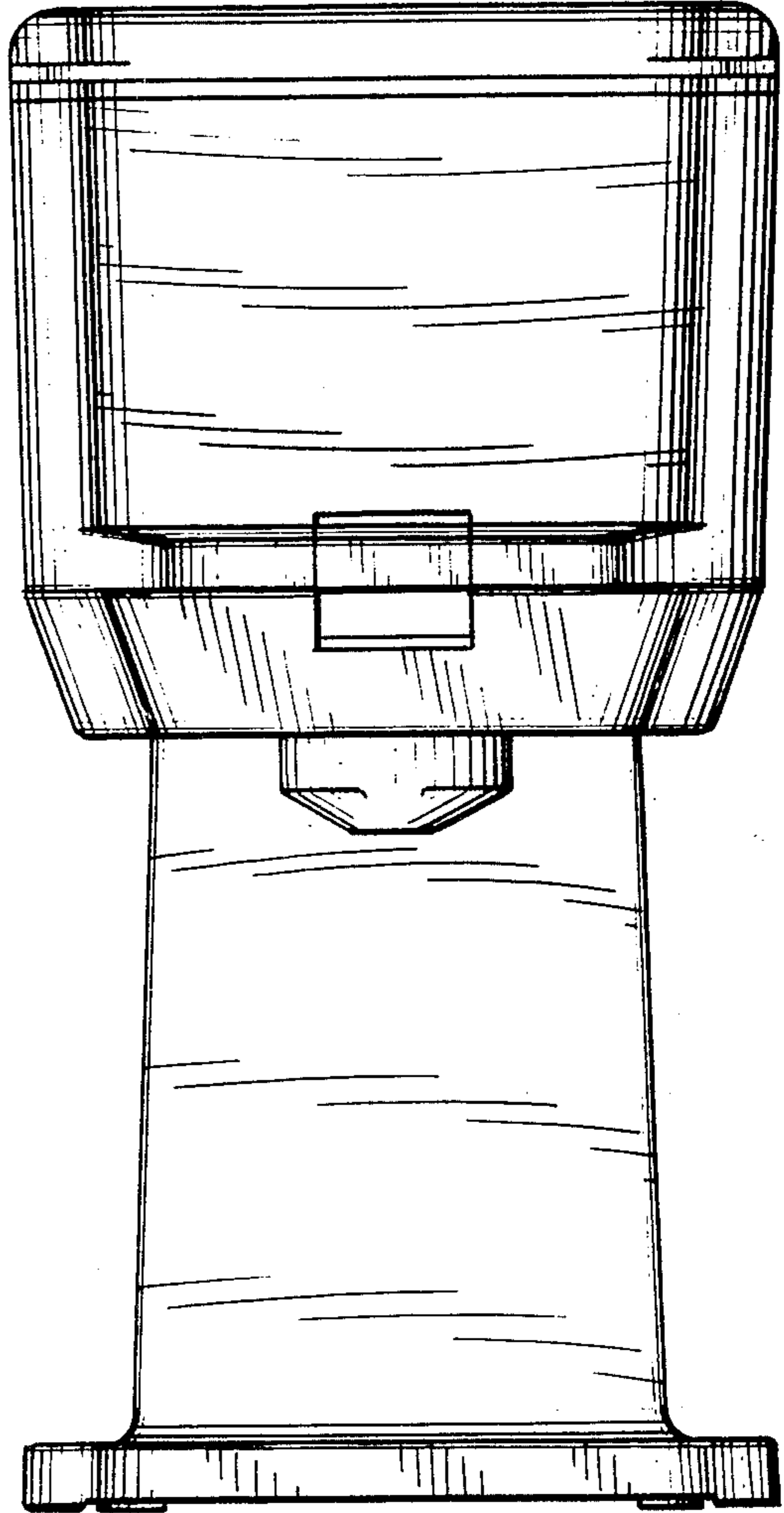


Fig. 3.

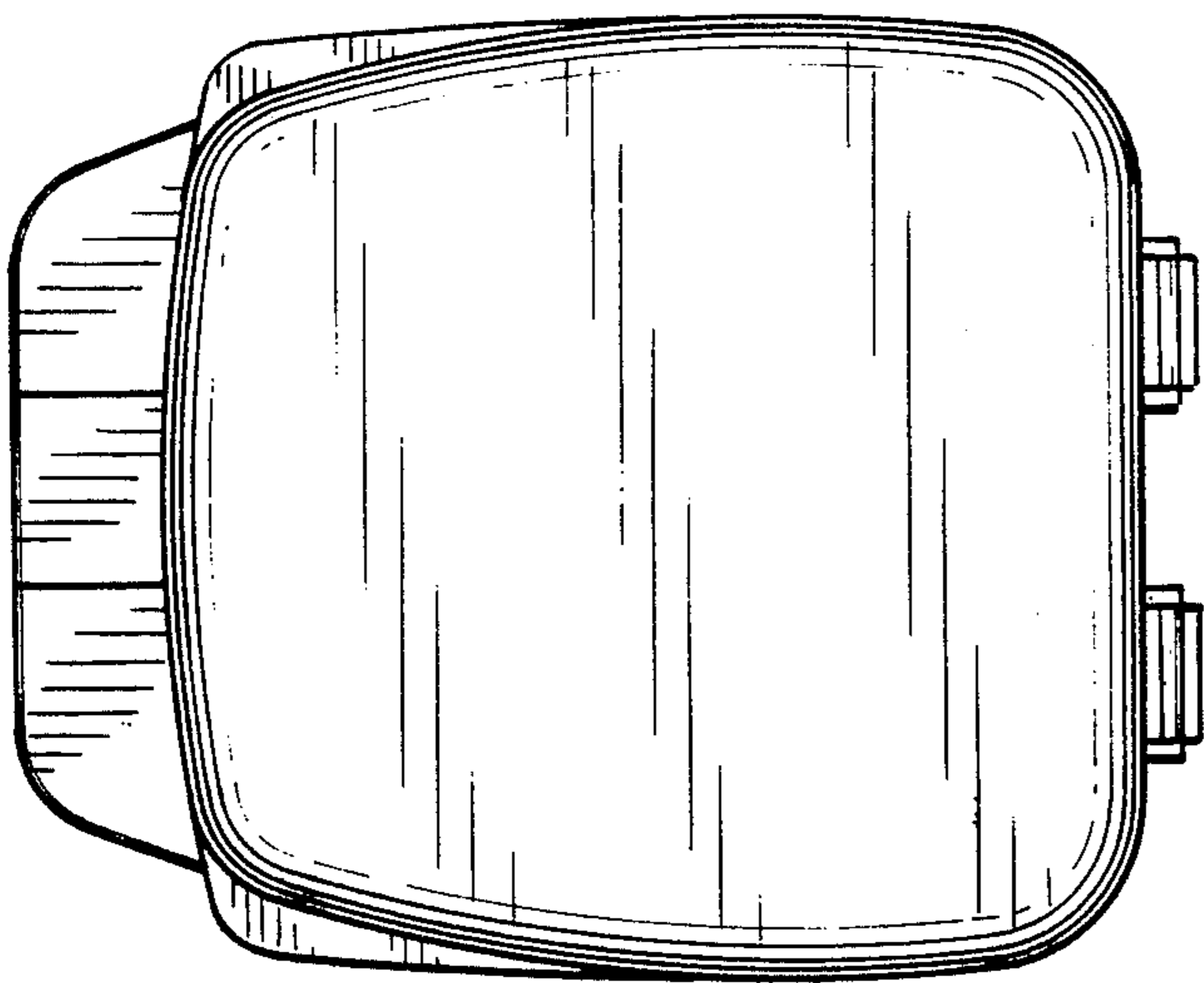


Fig. 4.

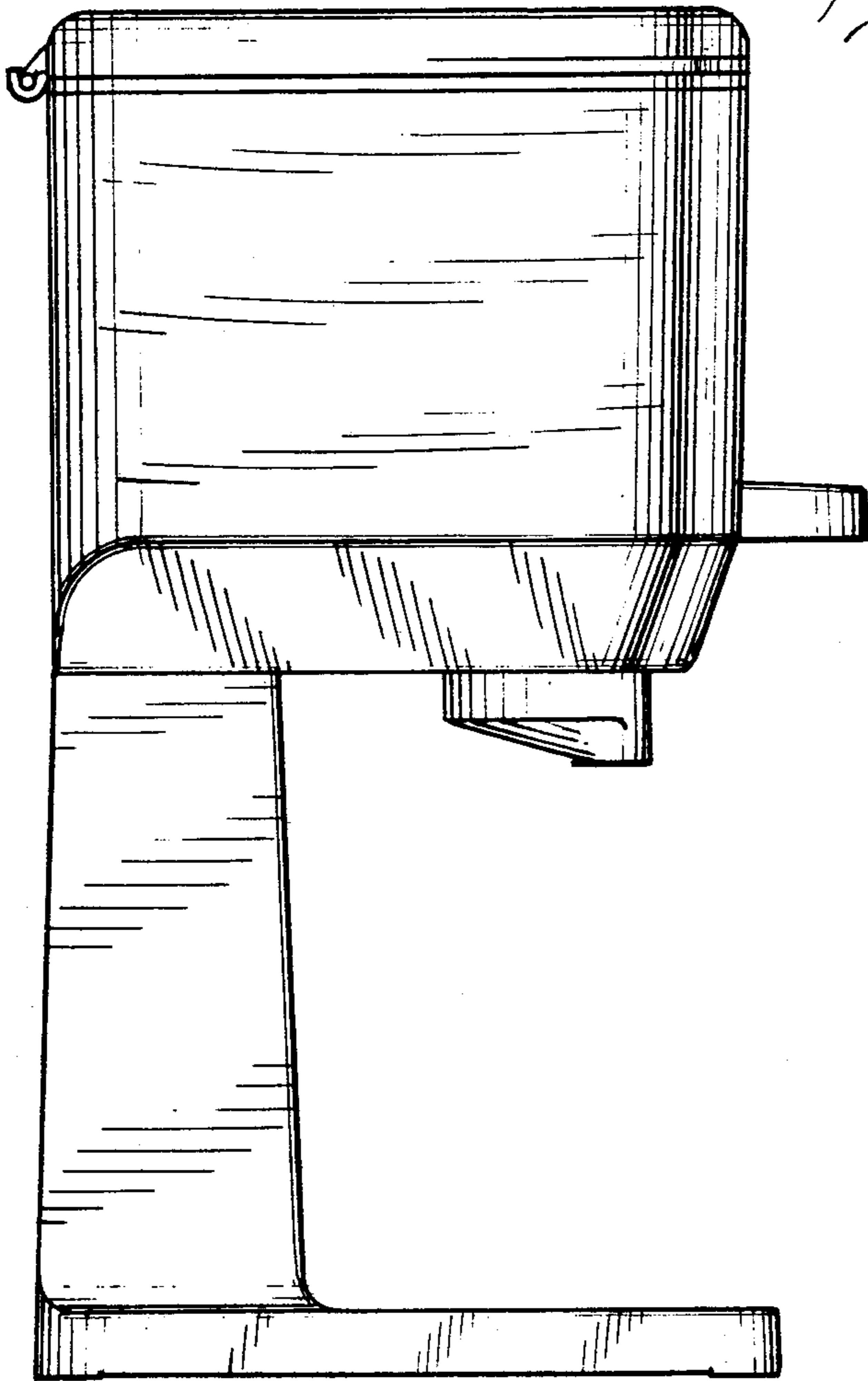


Fig. 5.

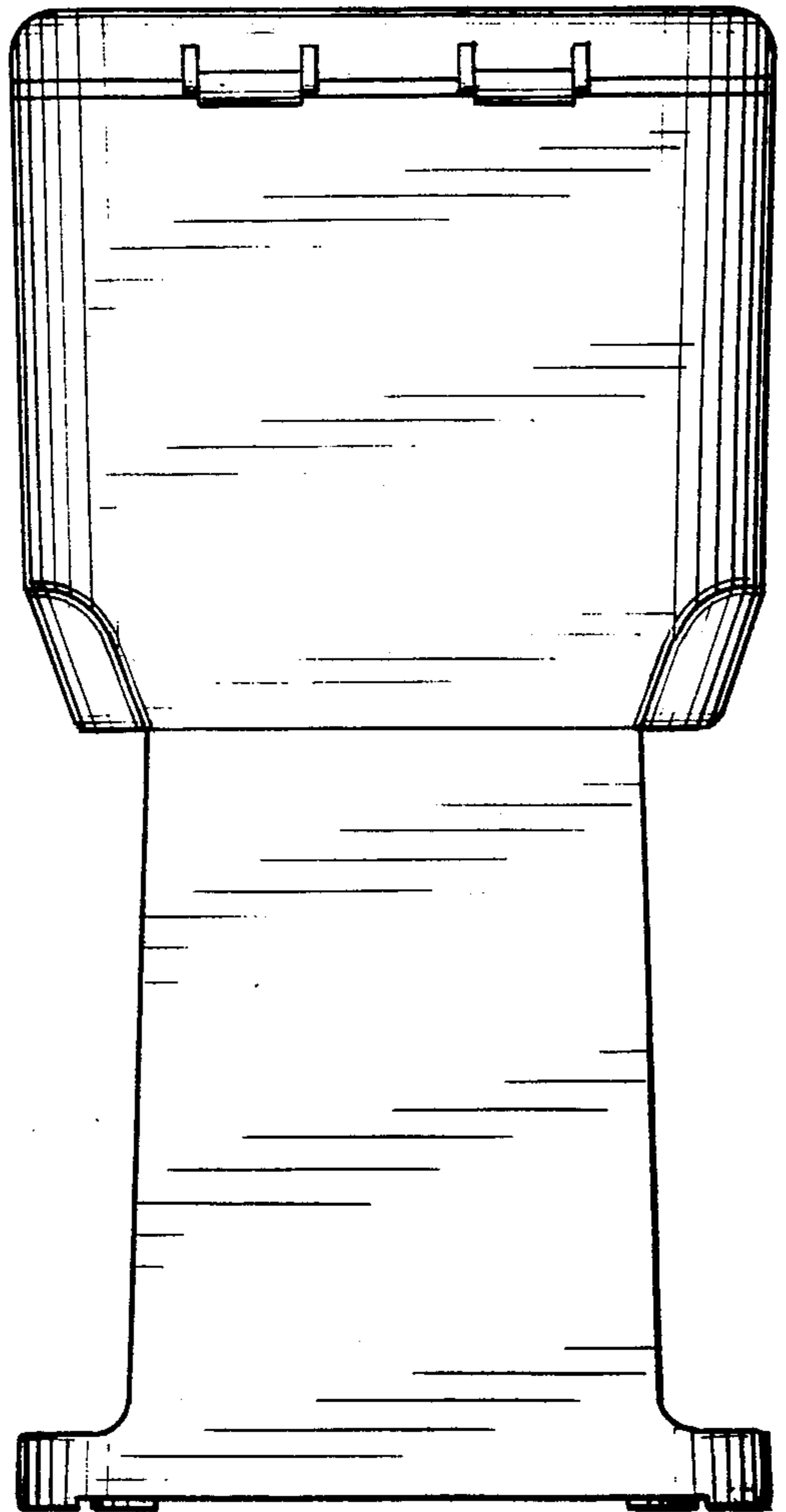


Fig. 6.

