

[54] **SERVING TABLE**

[76] **Inventor: Kenneth W. Lonngren, R.R. 1, Box 604F, Robin Hollow Rd., West Greenwich, R.I. 02816**

[**] **Term: 14 Years**

[21] **Appl. No.: 636,607**

[22] **Filed: Jul. 31, 1984**

[52] **U.S. Cl. D6/485; D6/430; D6/484**

[58] **Field of Search D6/429, 430, 480, 484, D6/485, 488, 490**

[56] **References Cited**

U.S. PATENT DOCUMENTS

- D. 90,849 10/1933 Kayser D6/430
- D. 132,907 6/1942 Fitzpatrick D6/430
- D. 200,912 4/1965 Cleinman D6/430

- D. 249,859 10/1978 Schoeller D6/485
- D. 252,965 9/1979 Petersen D6/430
- D. 282,514 2/1986 Garcia et al. D6/480
- 1,610,956 12/1926 Lannom D6/430 X

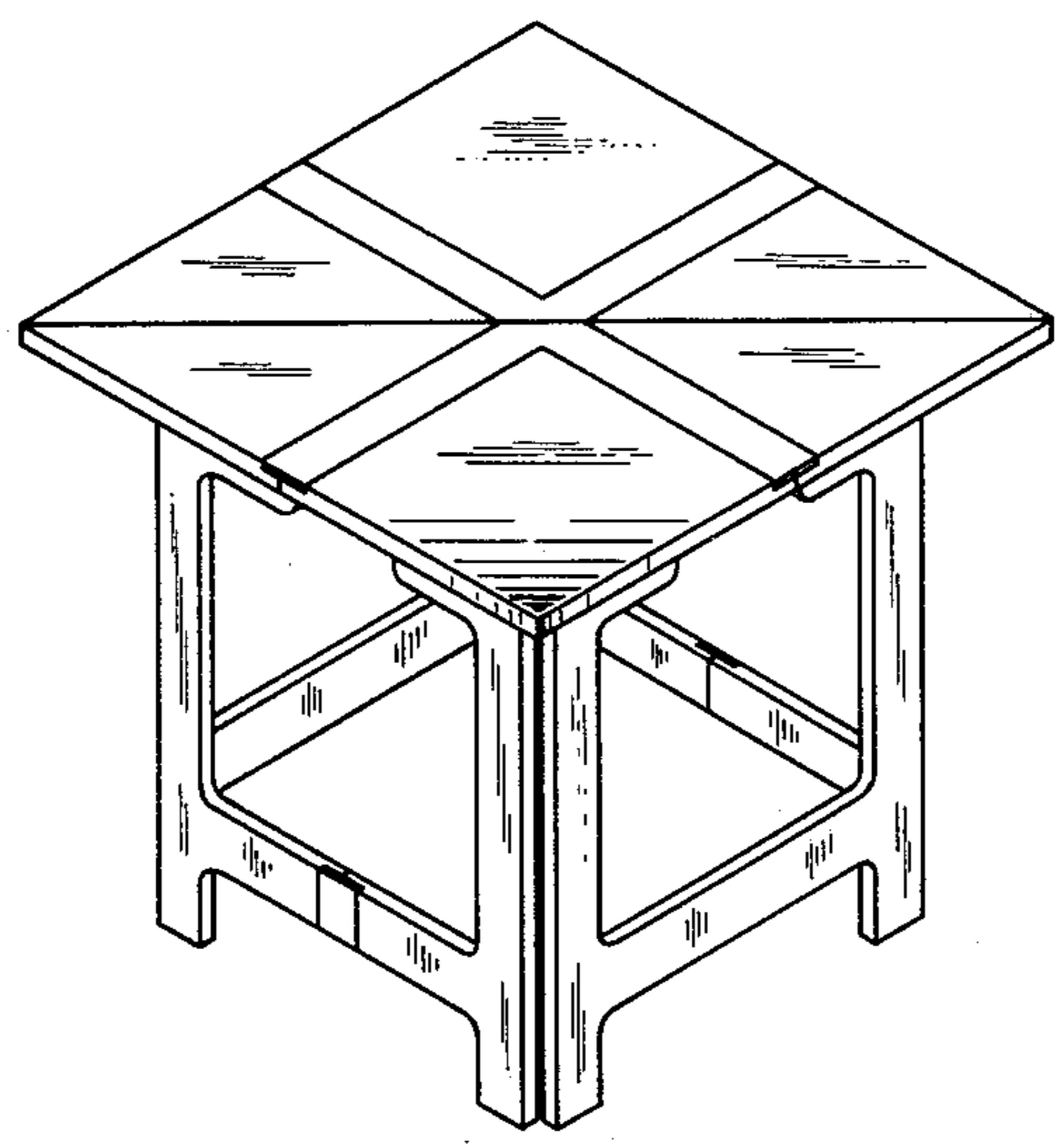
Primary Examiner—Bruce W. Dunkins
Attorney, Agent, or Firm—Glaser, Griggs & Schwartz

[57] **CLAIM**

The ornamental design for a serving table, as shown and described.

DESCRIPTION

FIG. 1 is a perspective view of a serving table showing my design;
 FIG. 2 is a front elevational view, the appearance of the rear being a mirror image thereof;
 FIG. 3 is an elevational view showing one of the two identical sides;
 FIG. 4 is a top plan view thereof; and
 FIG. 5 is a bottom plan view thereof.



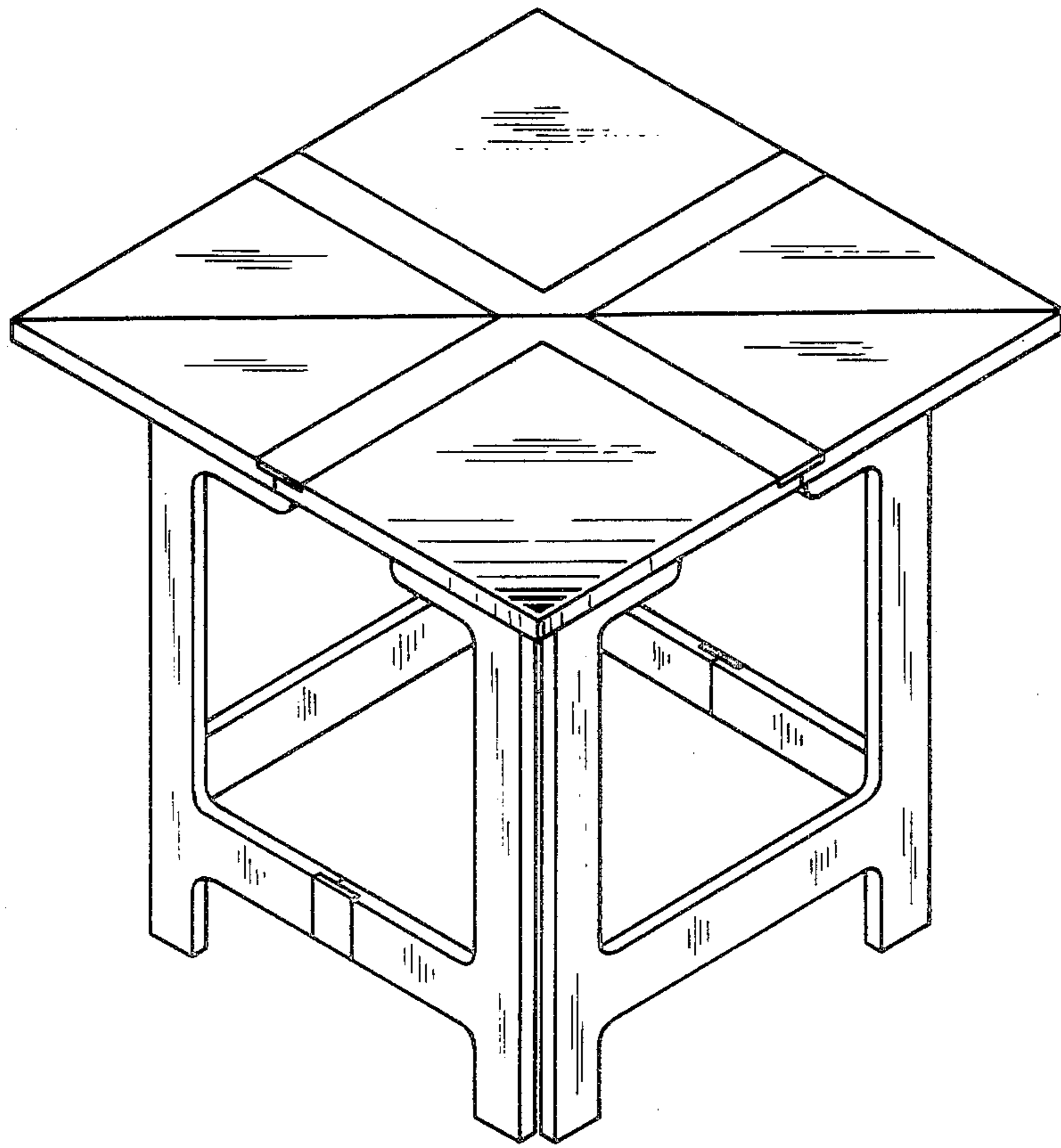


FIG. 1

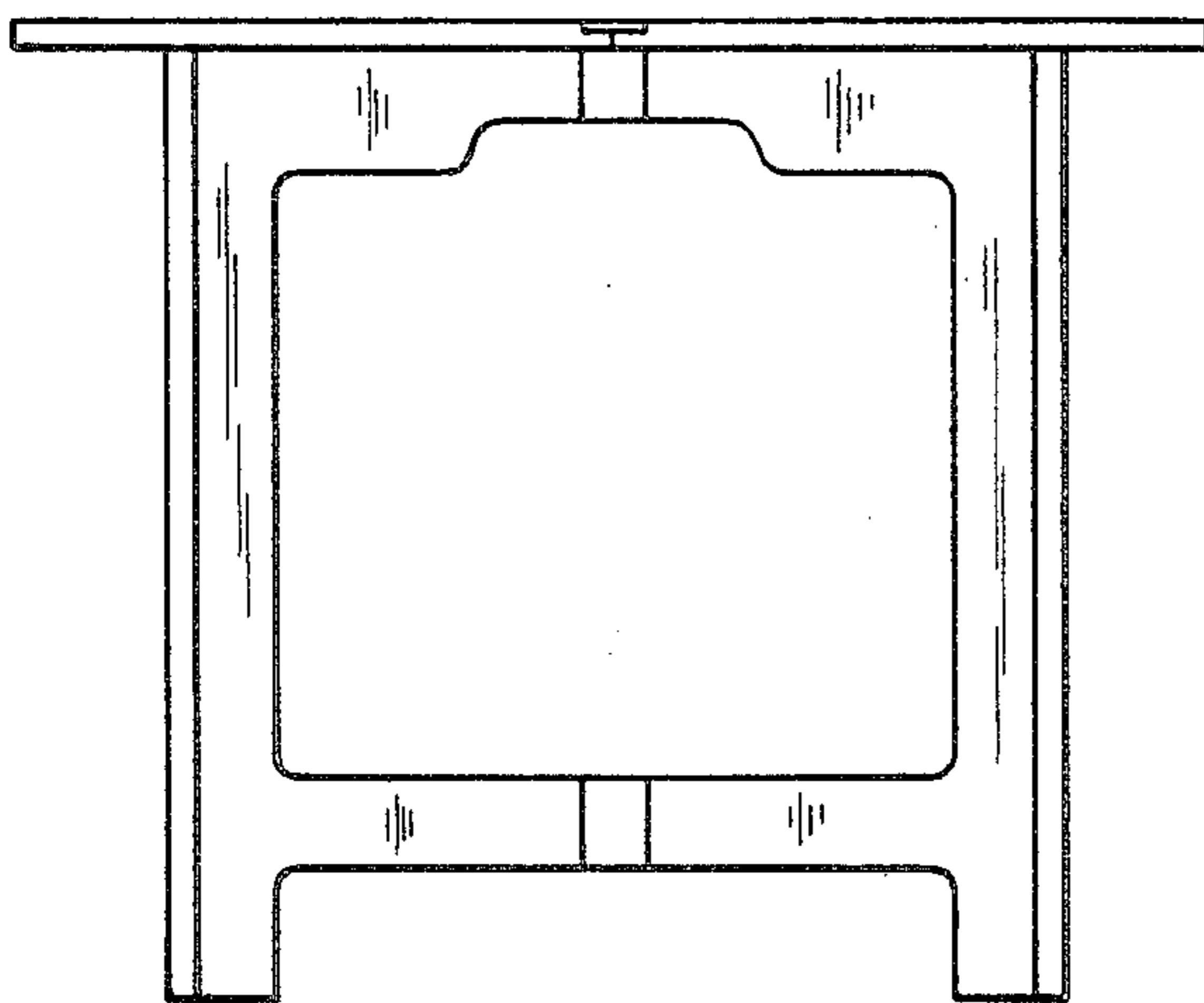


FIG. 2

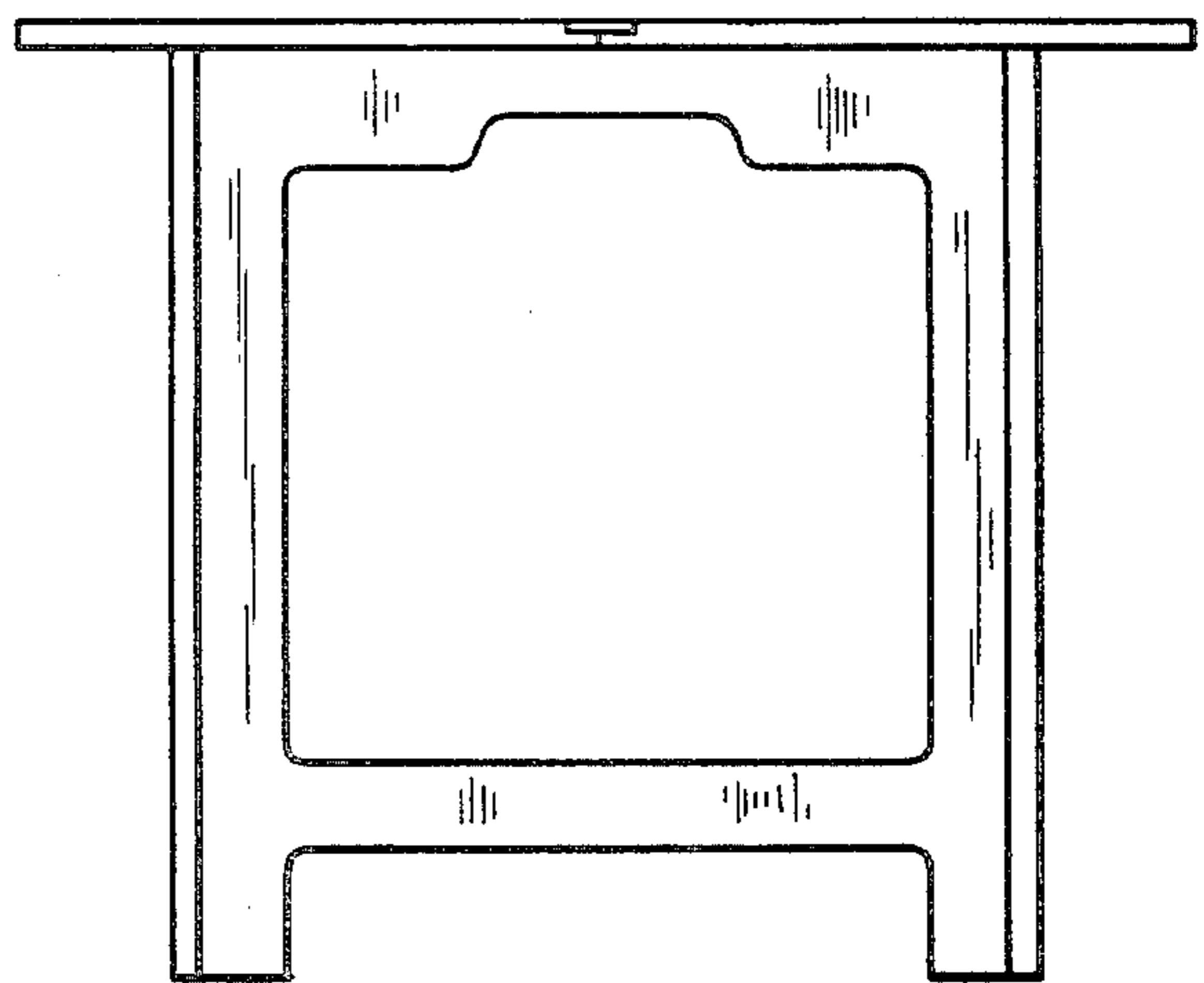


FIG. 3

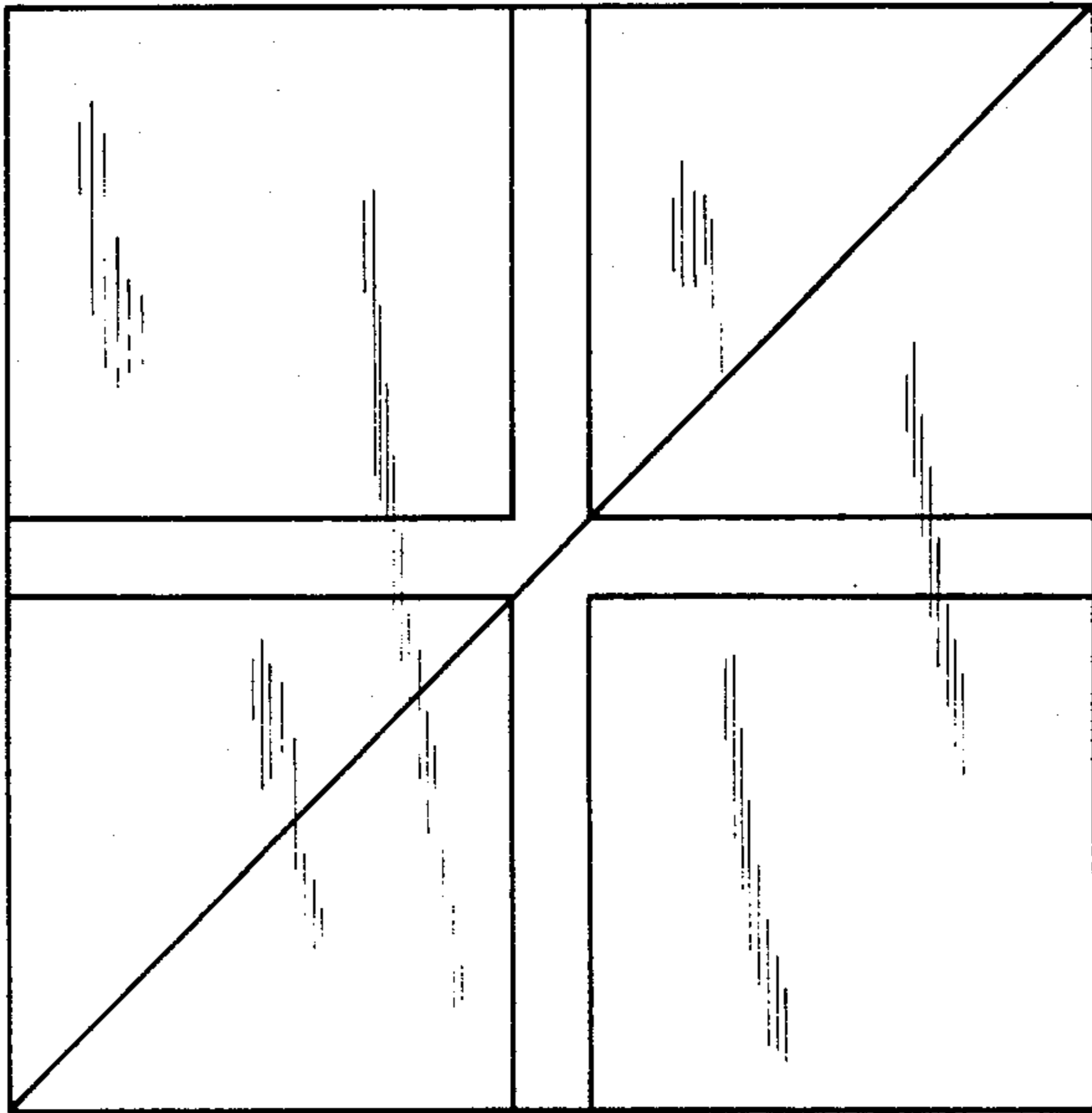


FIG. 4

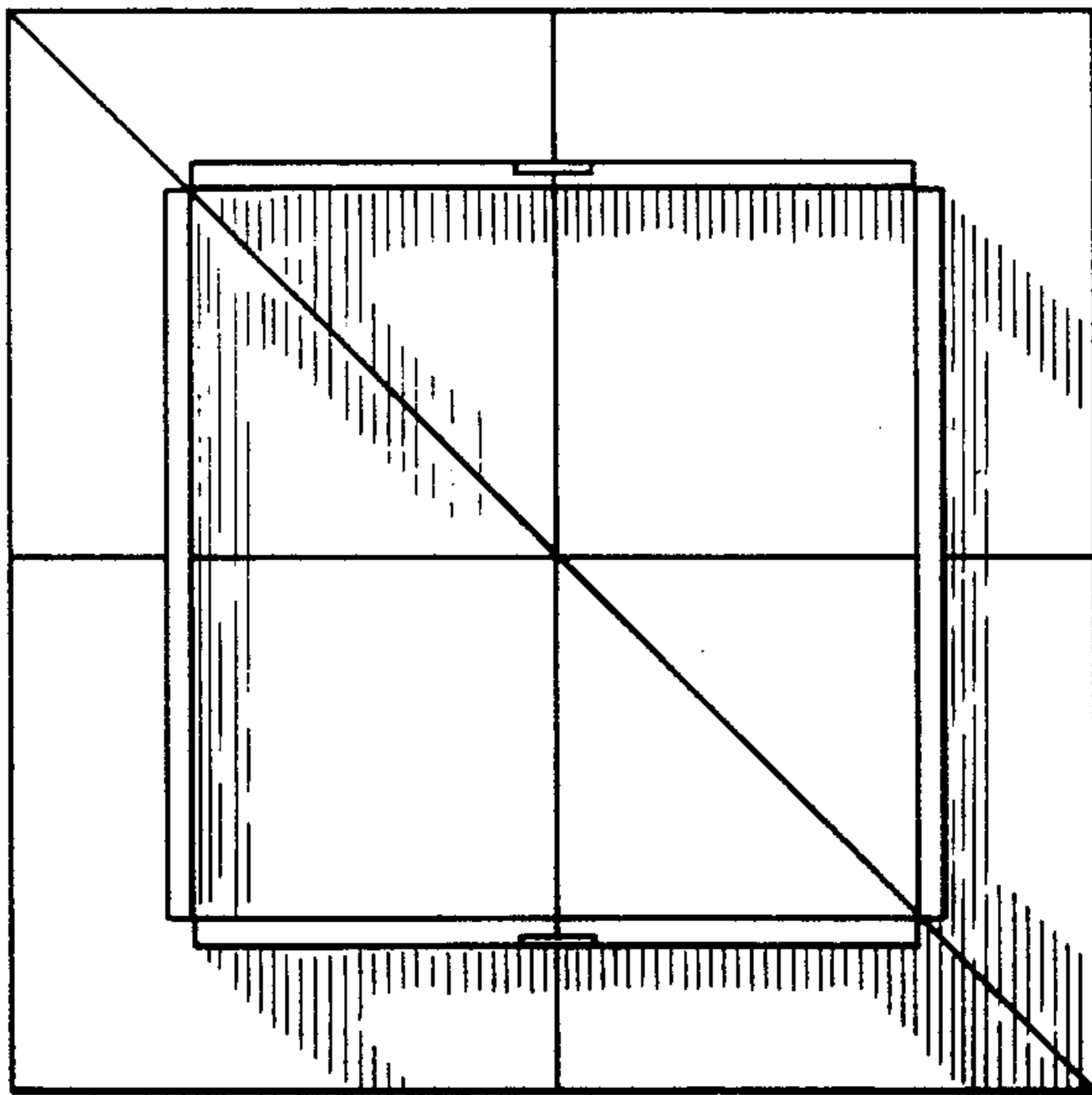


FIG. 5