

[54] COMPUTER STAND WITH SLIDING KEYBOARD SHELF

[75] Inventors: David O. Hatcher, Eggertsville; Walter N. Fudala, Cheektowaga, both of N.Y.

[73] Assignee: Posting Equipment Corporation, Buffalo, N.Y.

[**] Term: 14 Years

[21] Appl. No.: 636,930

[22] Filed: Aug. 2, 1984

Related U.S. Application Data

- [63] Continuation-in-part of Ser. No. 599,985, Apr. 12, 1984, abandoned.
[52] U.S. Cl. D6/474; D6/429; D14/114
[58] Field of Search D14/100, 106, 107, 114; 364/708; 340/700; D6/449, 429-431, 474; 312/196, 208, 320, 322

References Cited

U.S. PATENT DOCUMENTS

- D. 266,672 10/1982 Landin D14/114
3,844,395 10/1974 Mero et al. 400/682 X
4,483,572 11/1984 Story 312/322 X

FOREIGN PATENT DOCUMENTS

- 627648 4/1933 Fed. Rep. of Germany .

Primary Examiner—Susan J. Lucas
Attorney, Agent, or Firm—Christel, Bean & Linihan

CLAIM

[57] The ornamental design for a computer stand with slid-

ing keyboard shelf, substantially as shown and described.

DESCRIPTION

FIG. 1 is a perspective view of the computer stand with sliding keyboard shelf showing our new design, the stand being in the closed condition;
FIG. 2 is a perspective view thereof, the front being in the open condition and the keyboard shelf being retracted;
FIG. 3 is a perspective view thereof, the shelf being fully extended;
FIG. 4 is a top plan view of the stand in the closed condition;
FIG. 5 is a bottom plan view thereof;
FIG. 6 is a front elevational view thereof;
FIG. 7 is a rear elevational view thereof;
FIGS. 8 and 9 are respectively left and right side elevational views thereof;
FIG. 10 is a top plan of the stand in the open condition with the shelf extended;
FIG. 11 is a bottom plan view thereof;
FIG. 12 is a front elevational view thereof;
FIG. 13 is a side elevational view thereof;
FIG. 14 is a front elevational view of a second embodiment of our new design, the stand being in the closed condition;
FIG. 15 is a rear elevational view thereof;
FIGS. 16 and 17 are respectively right and left side elevational views thereof;
FIG. 18 is a bottom plan view thereof;
FIG. 19 is a front elevational view of the stand of the second embodiment in the open condition;
FIG. 20 is a side elevational view thereof with the shelf extended;
FIG. 21 is a bottom plan view thereof;
FIG. 22 is a top plan view of the stand in the closed condition;
FIG. 23 is a top plan view of the stand in the open condition with the shelf extended.

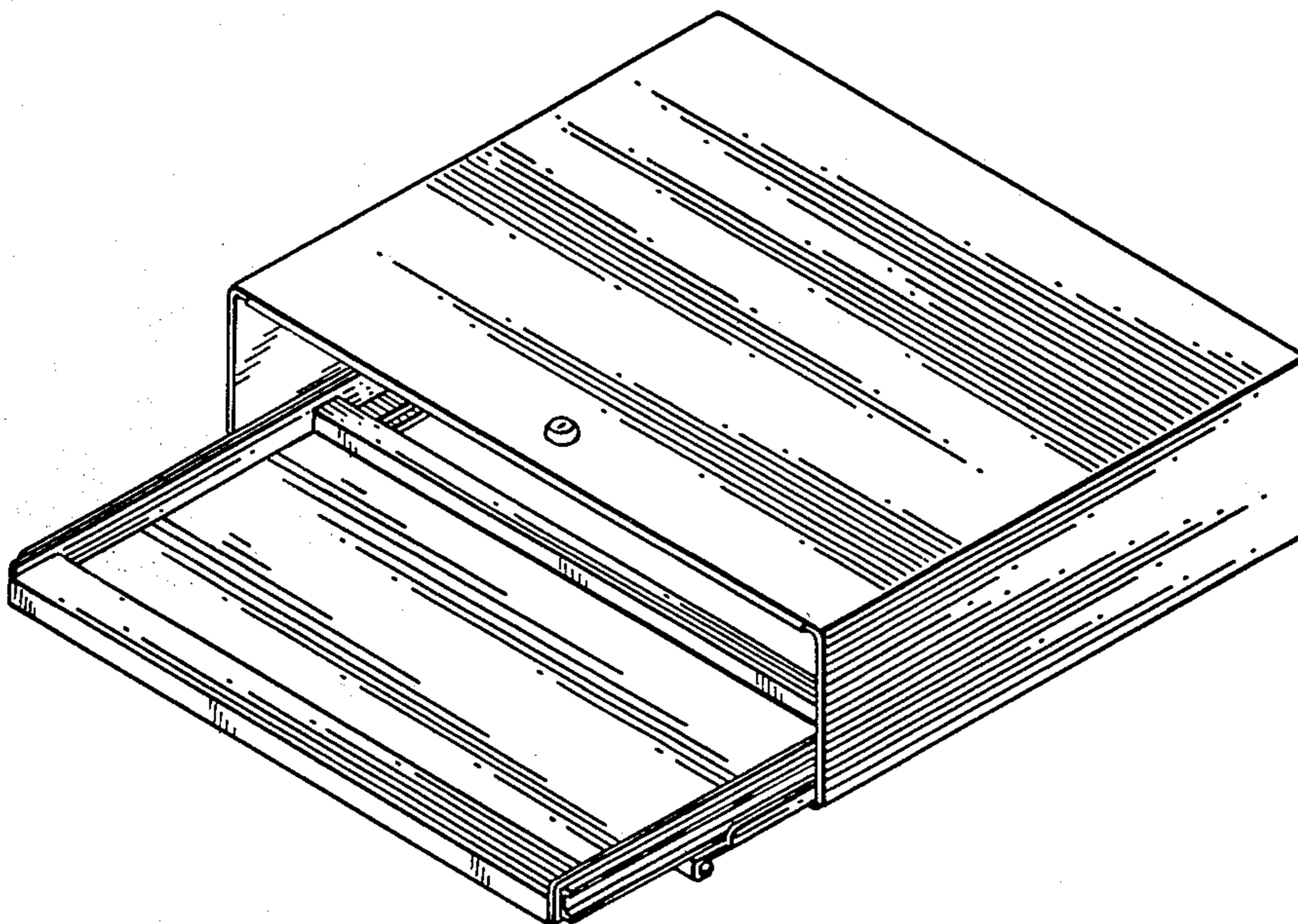


Fig. 1.

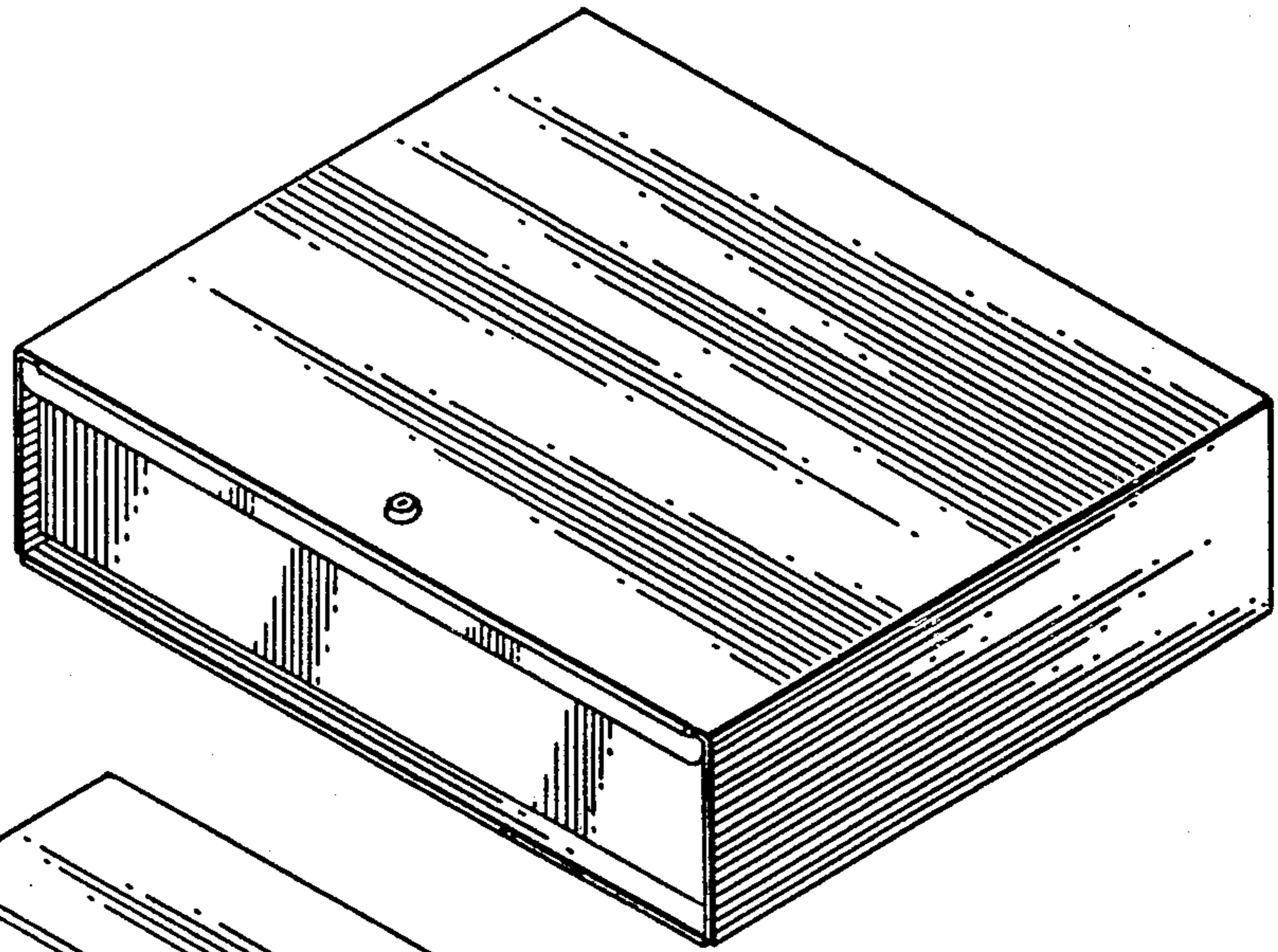


Fig. 2.

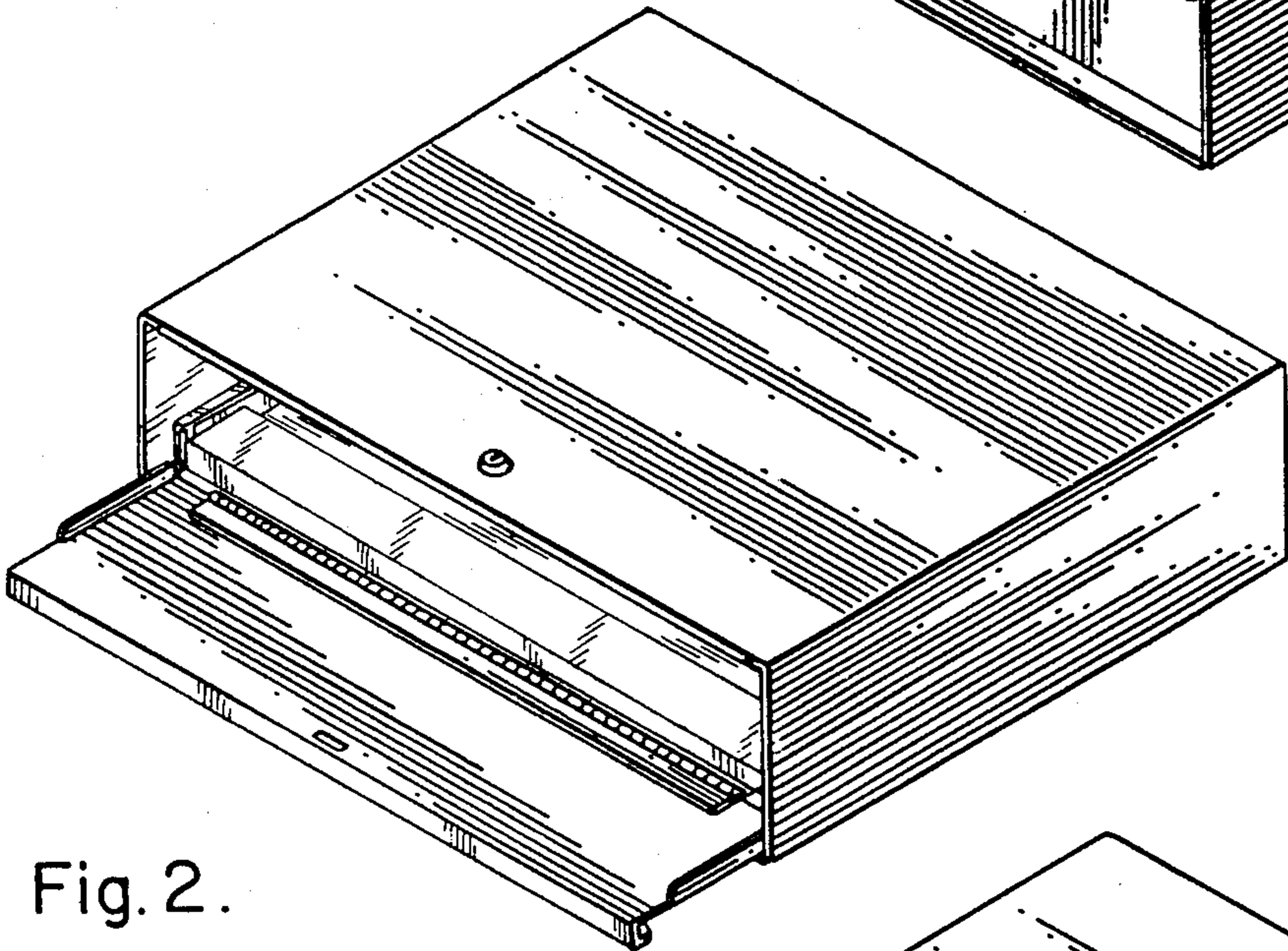


Fig. 3.

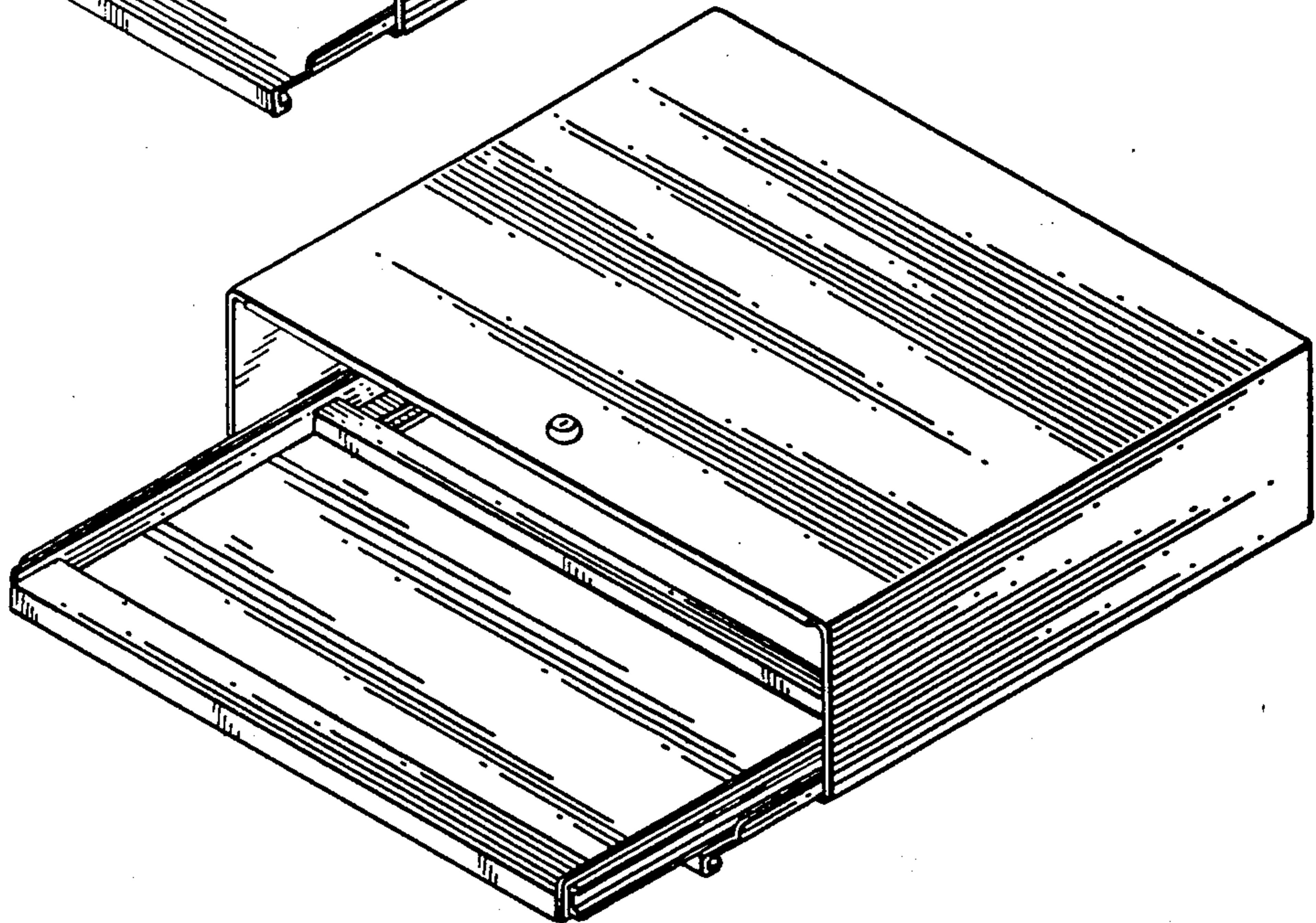


Fig. 4.

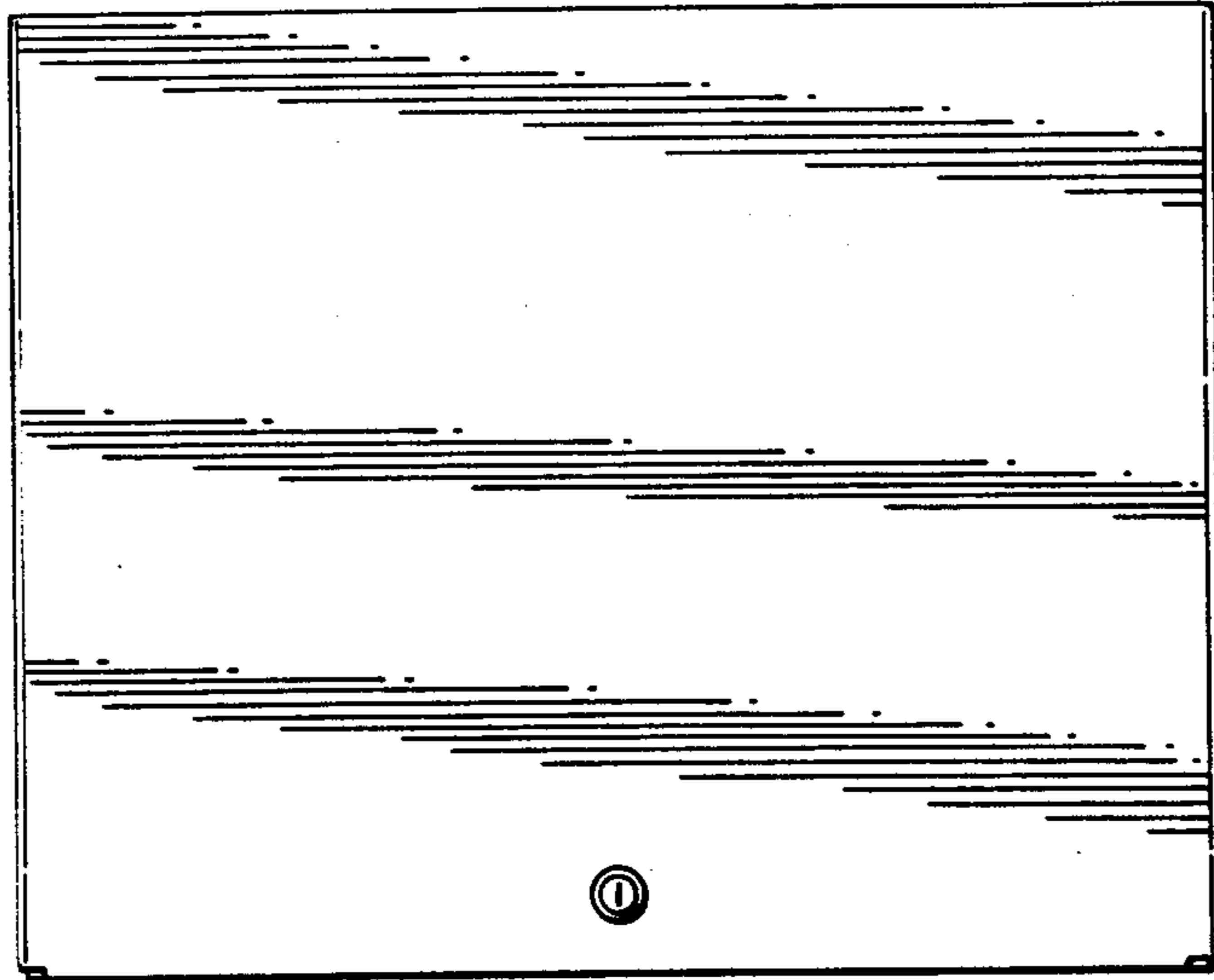


Fig. 5.

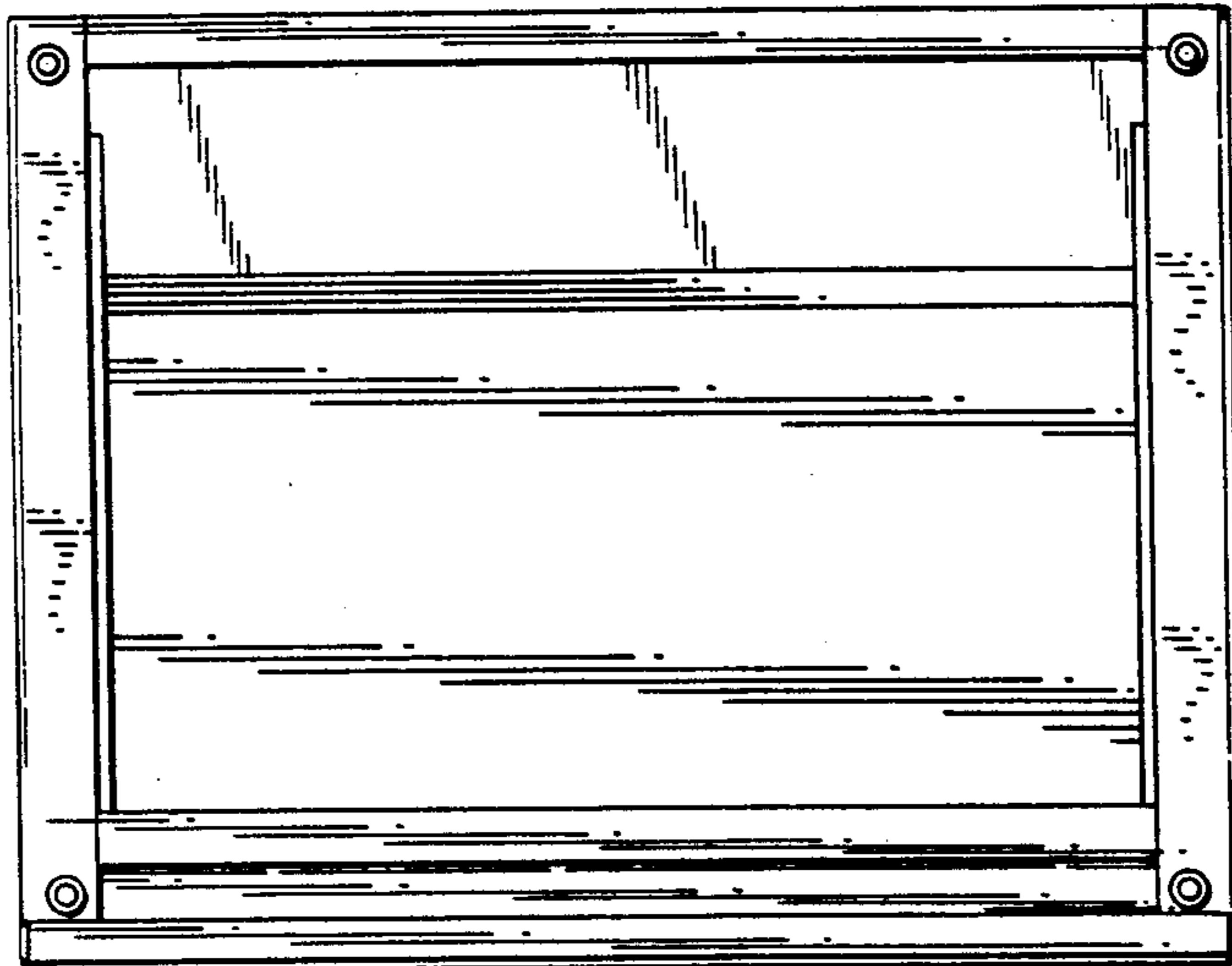


Fig. 6.

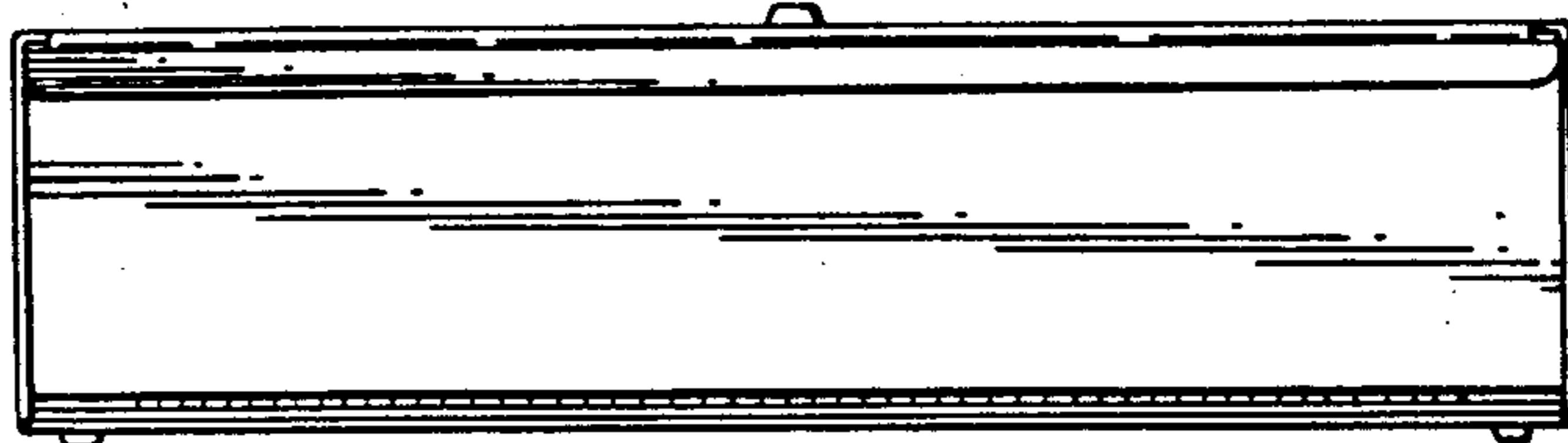


Fig. 7.

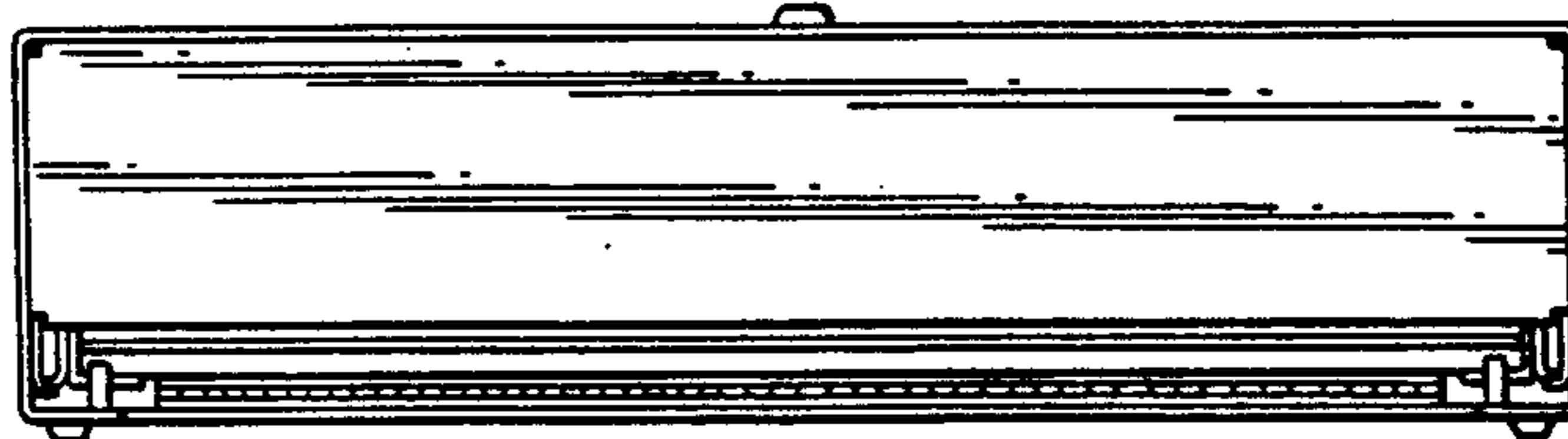


Fig. 8.

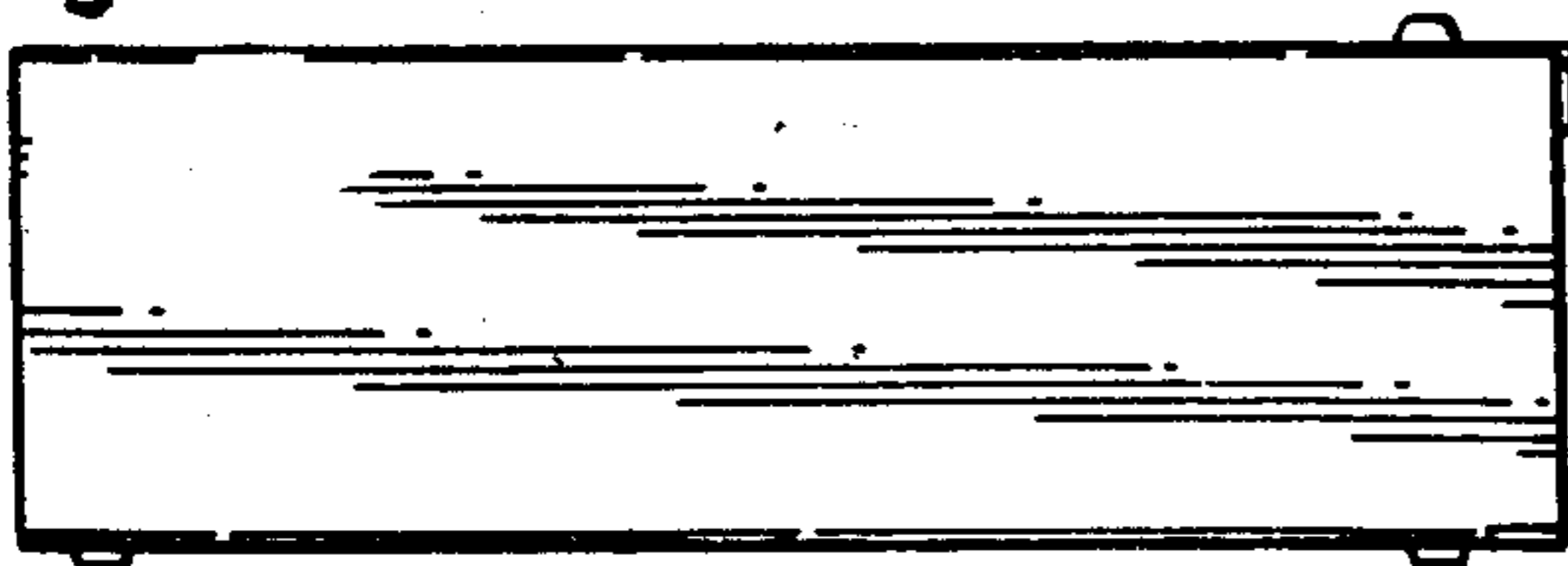


Fig. 9.

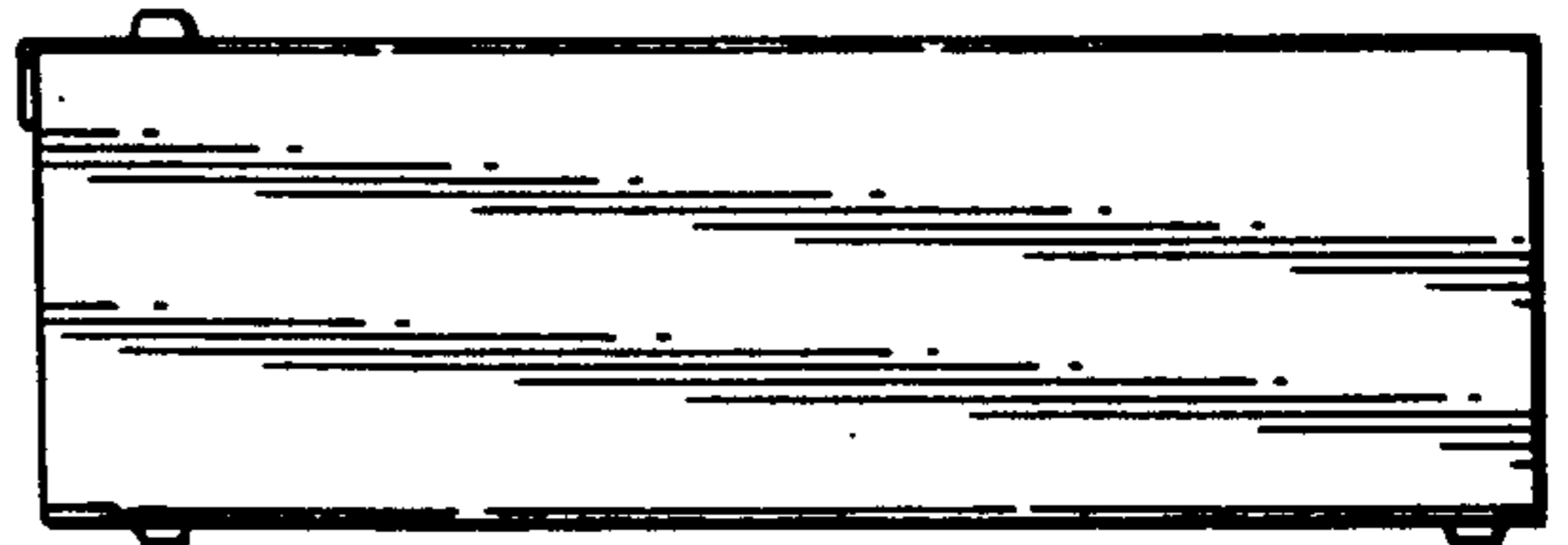


Fig. 10.

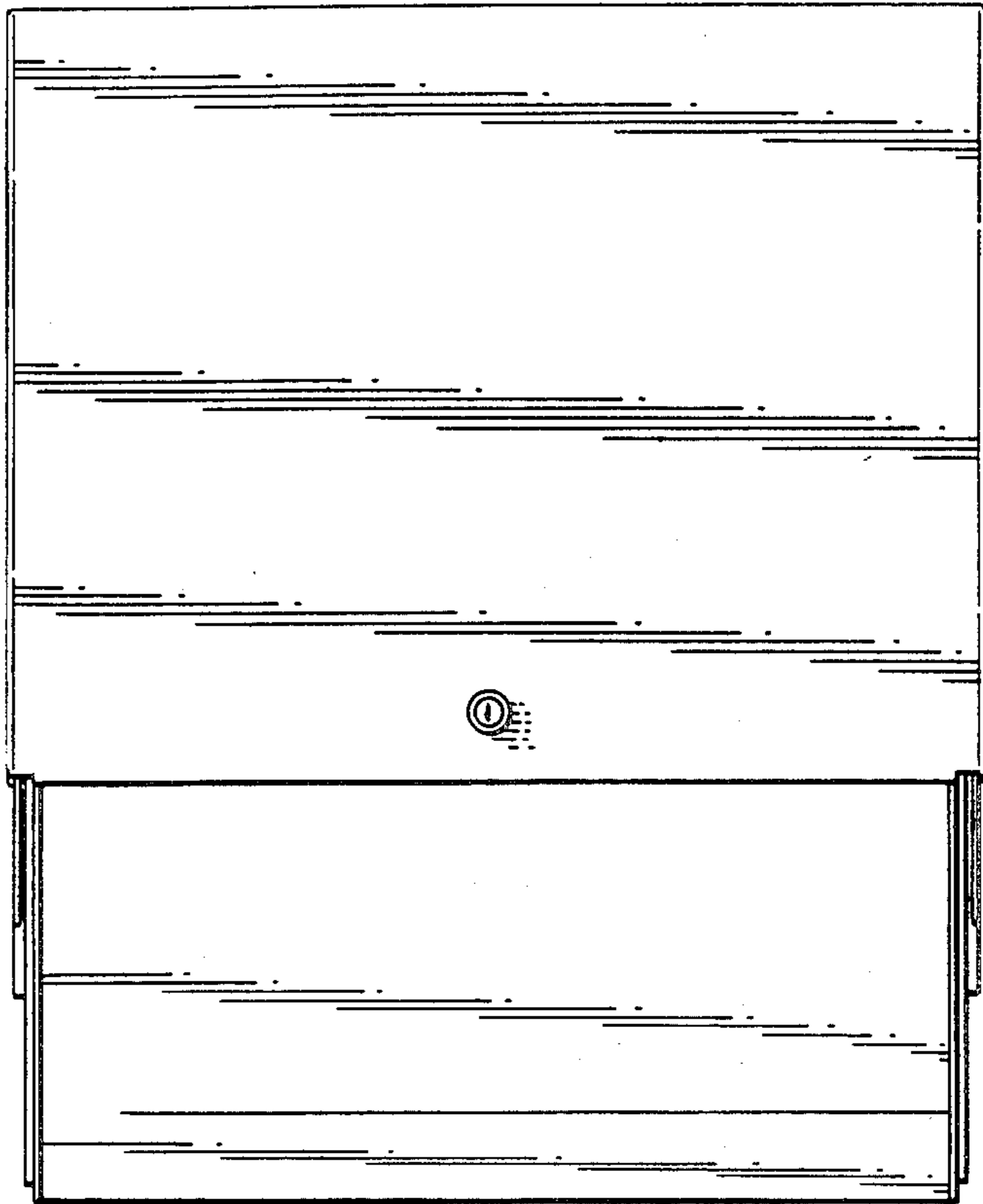


Fig. 11.

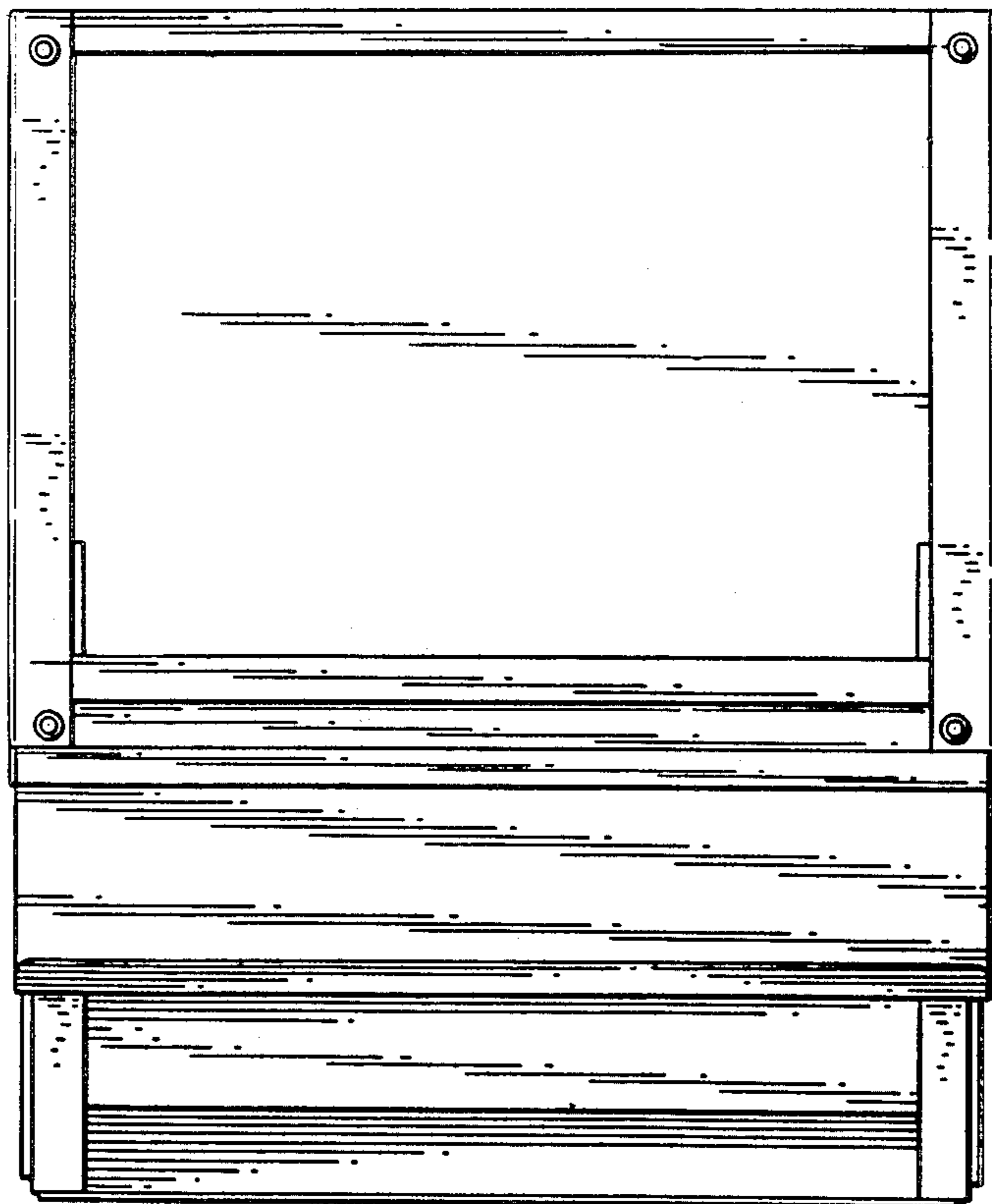


Fig. 12.

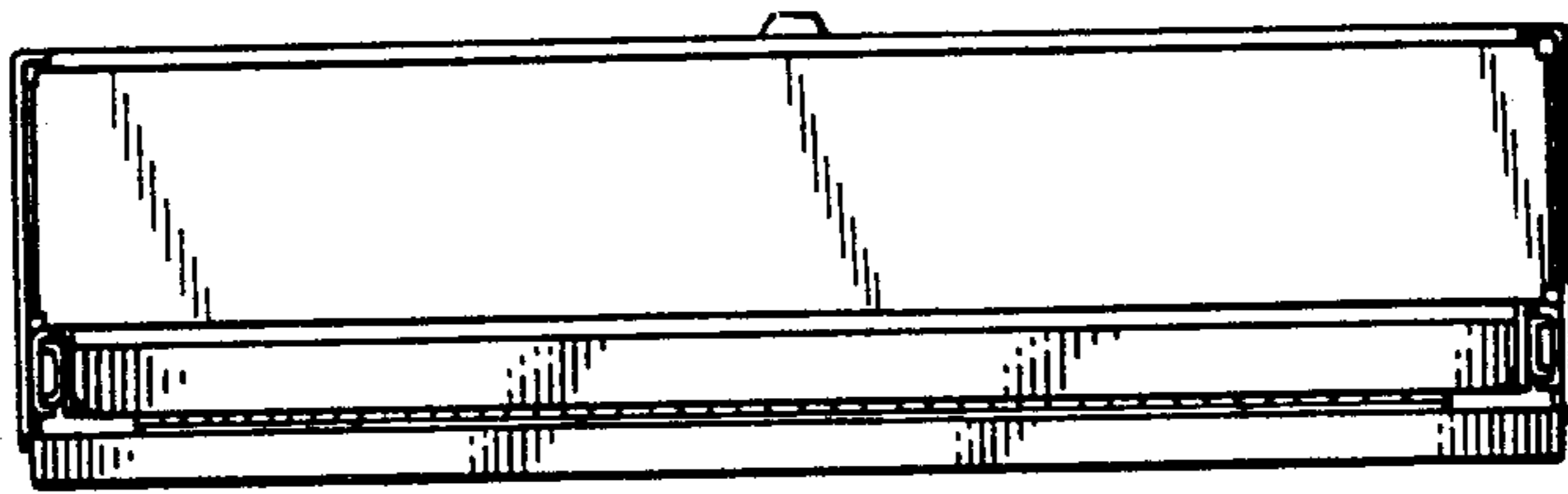


Fig. 13.

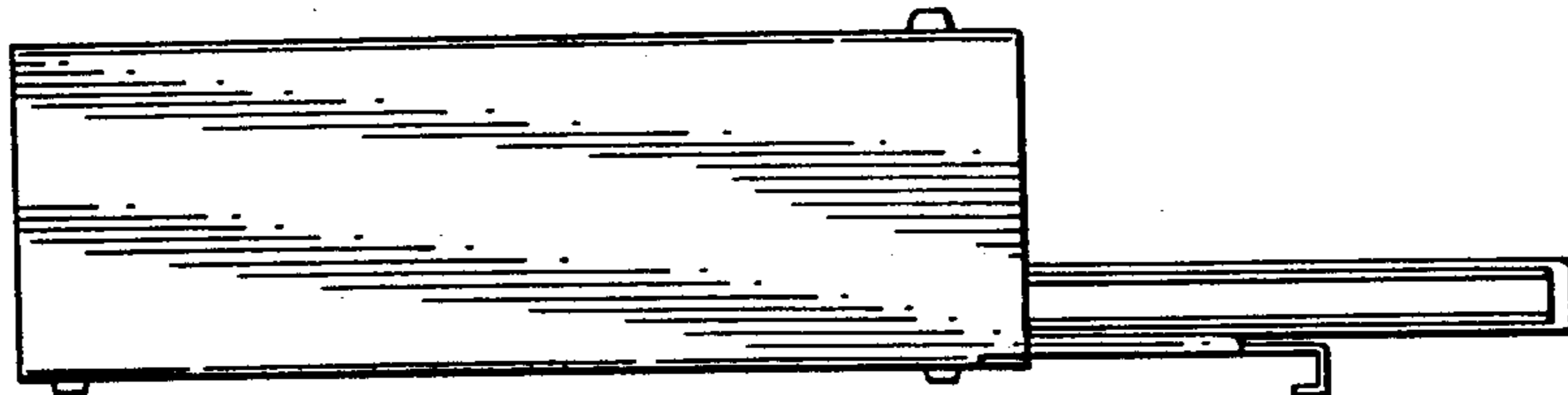


Fig. 14.

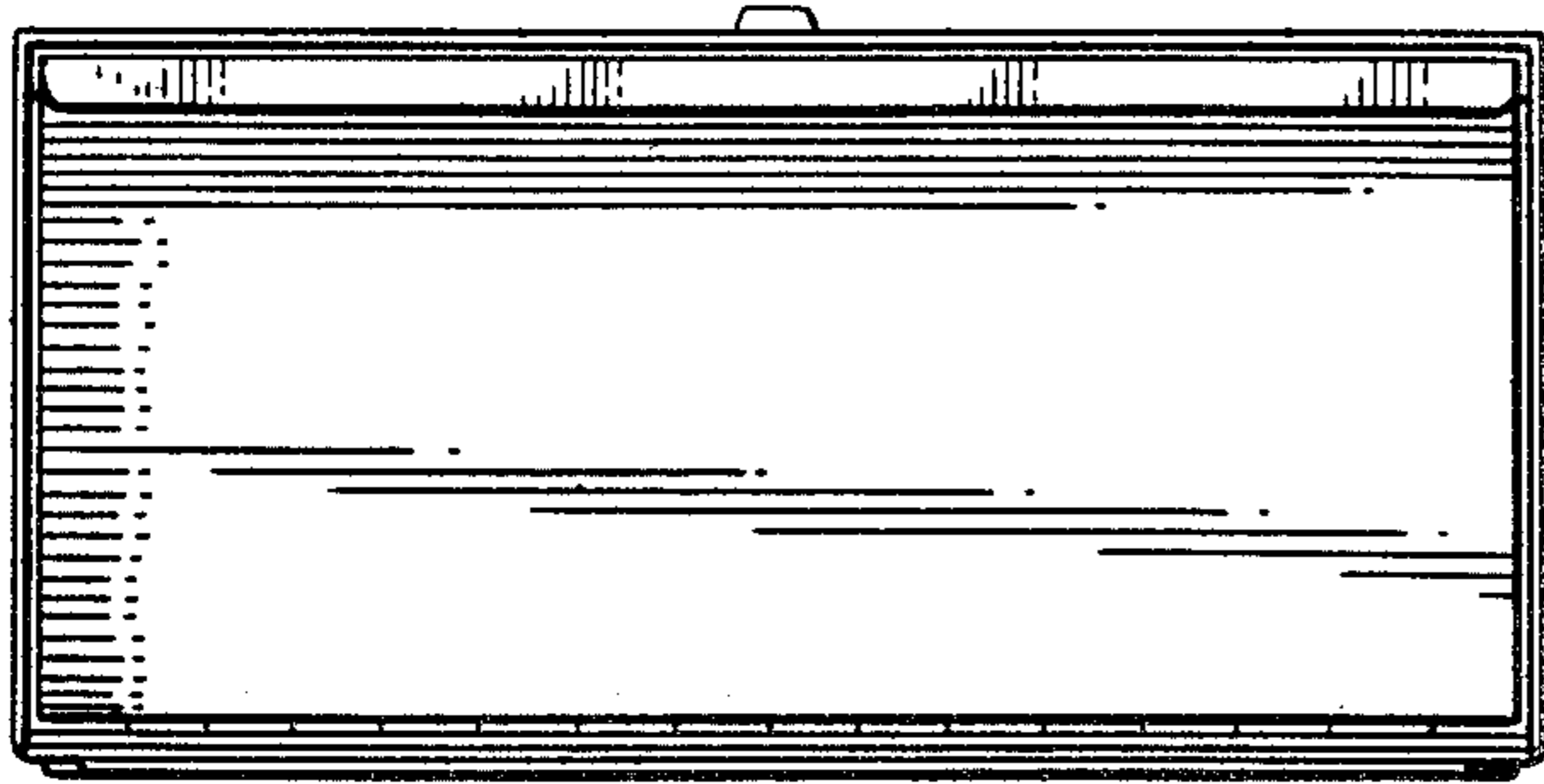


Fig. 16.

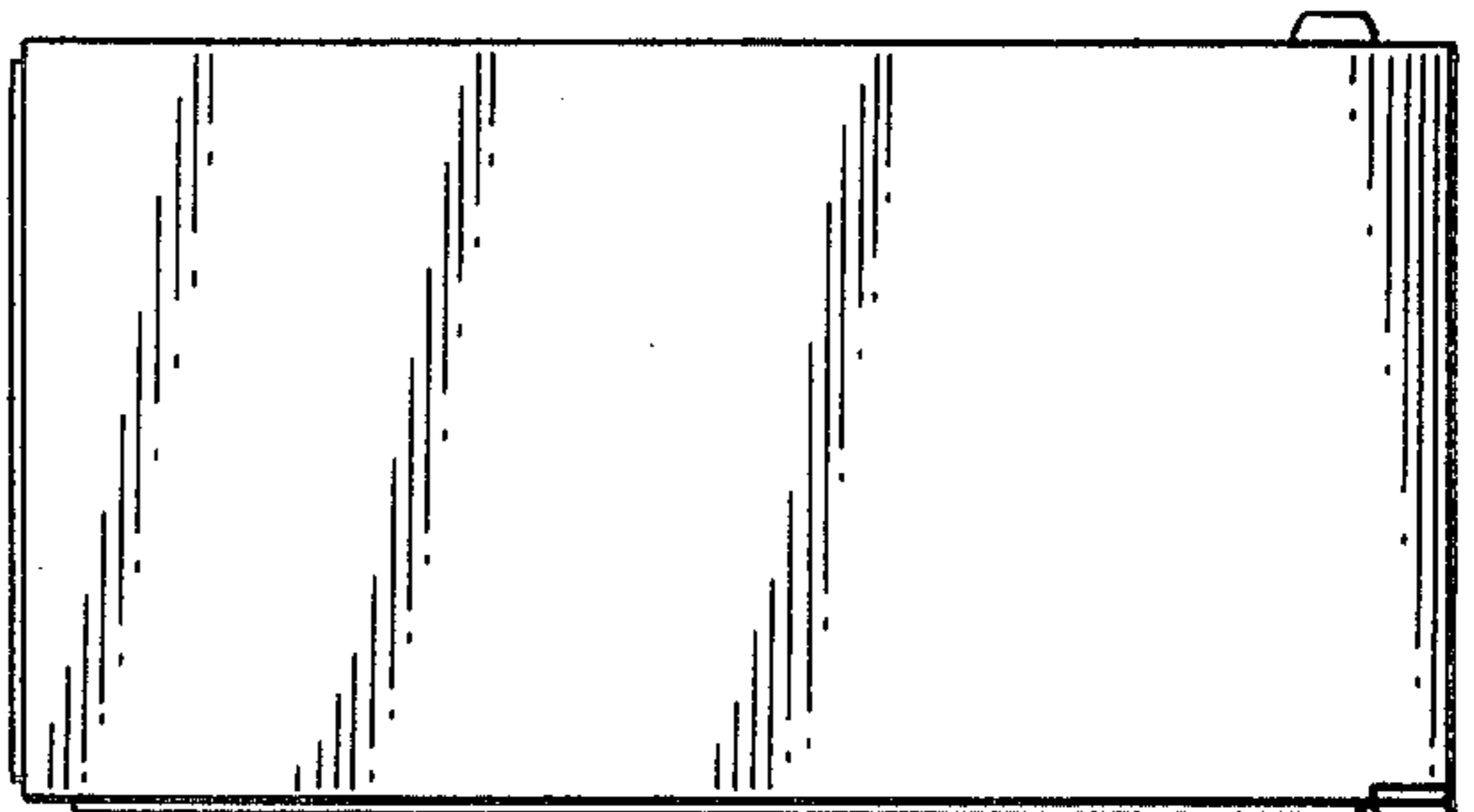
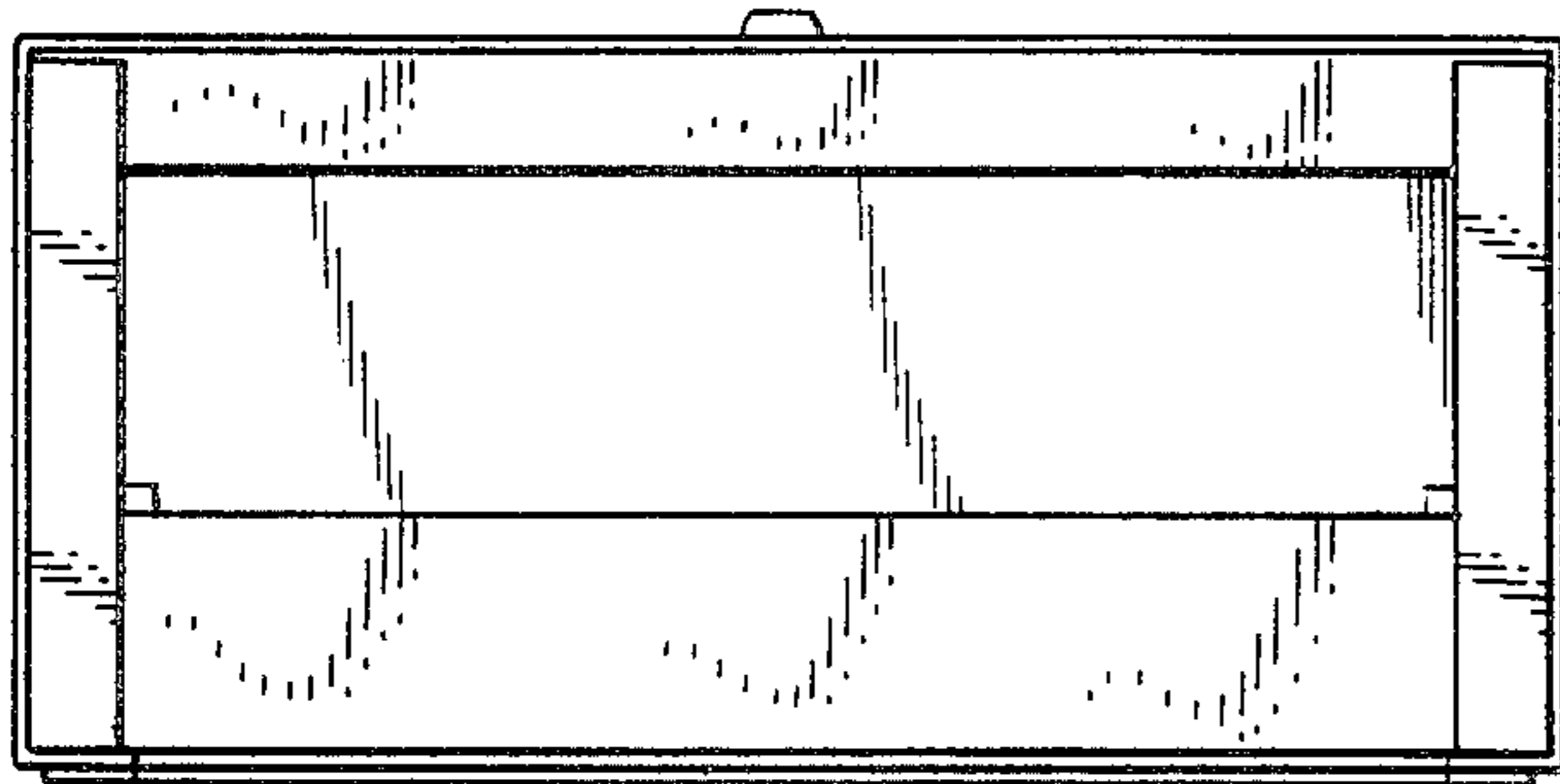
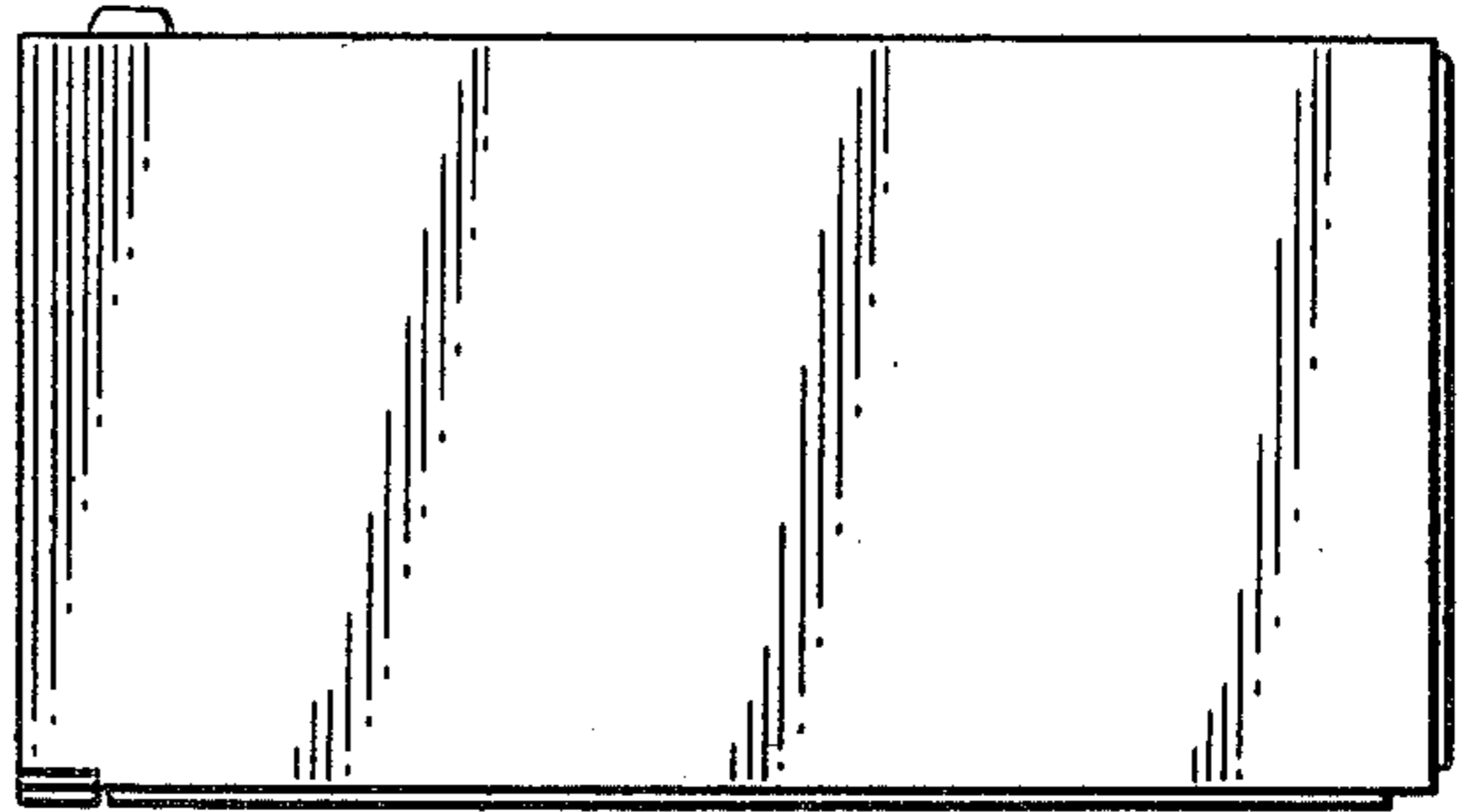


Fig. 15.

Fig. 17.

Fig. 18.

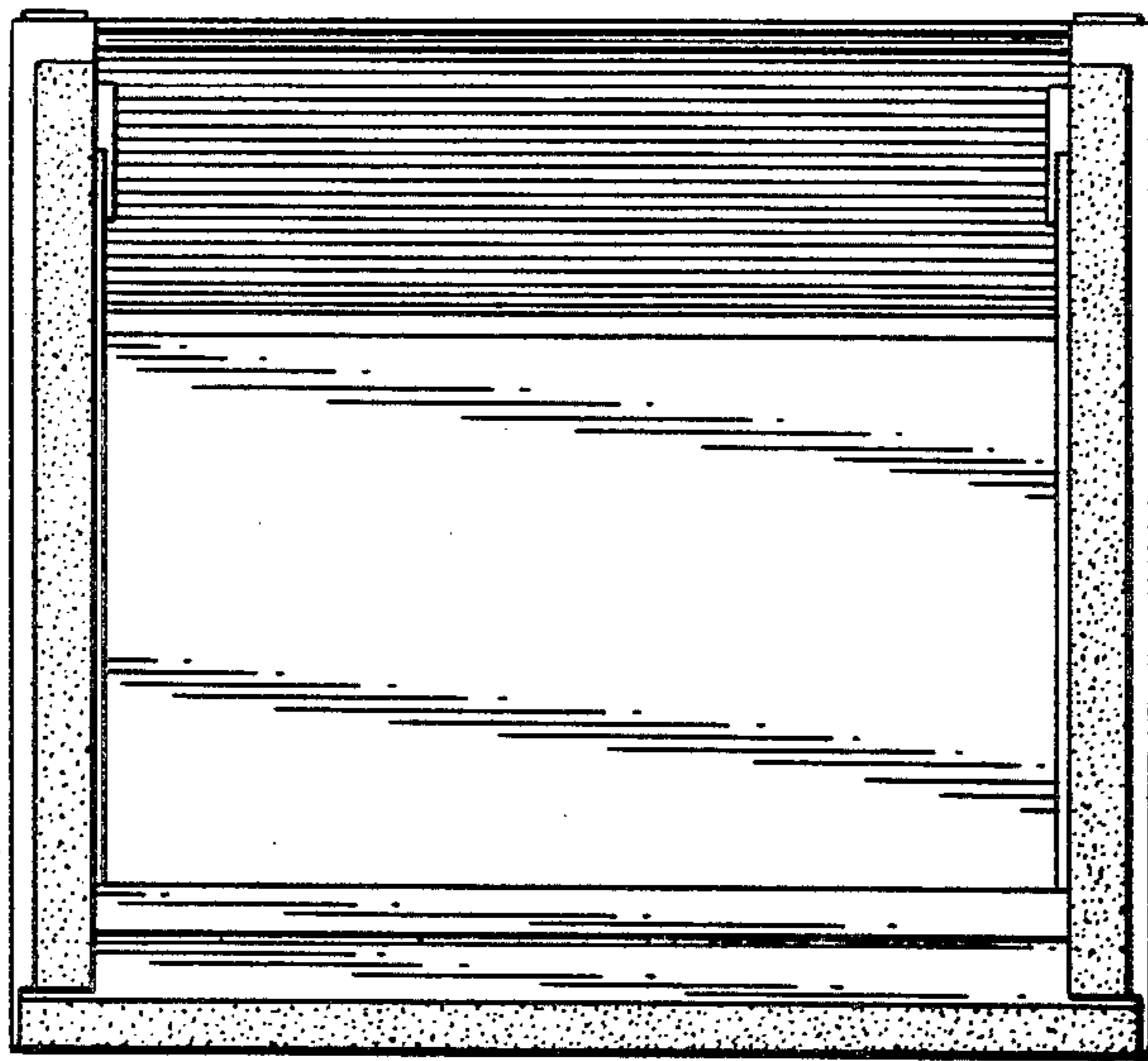


Fig. 19.

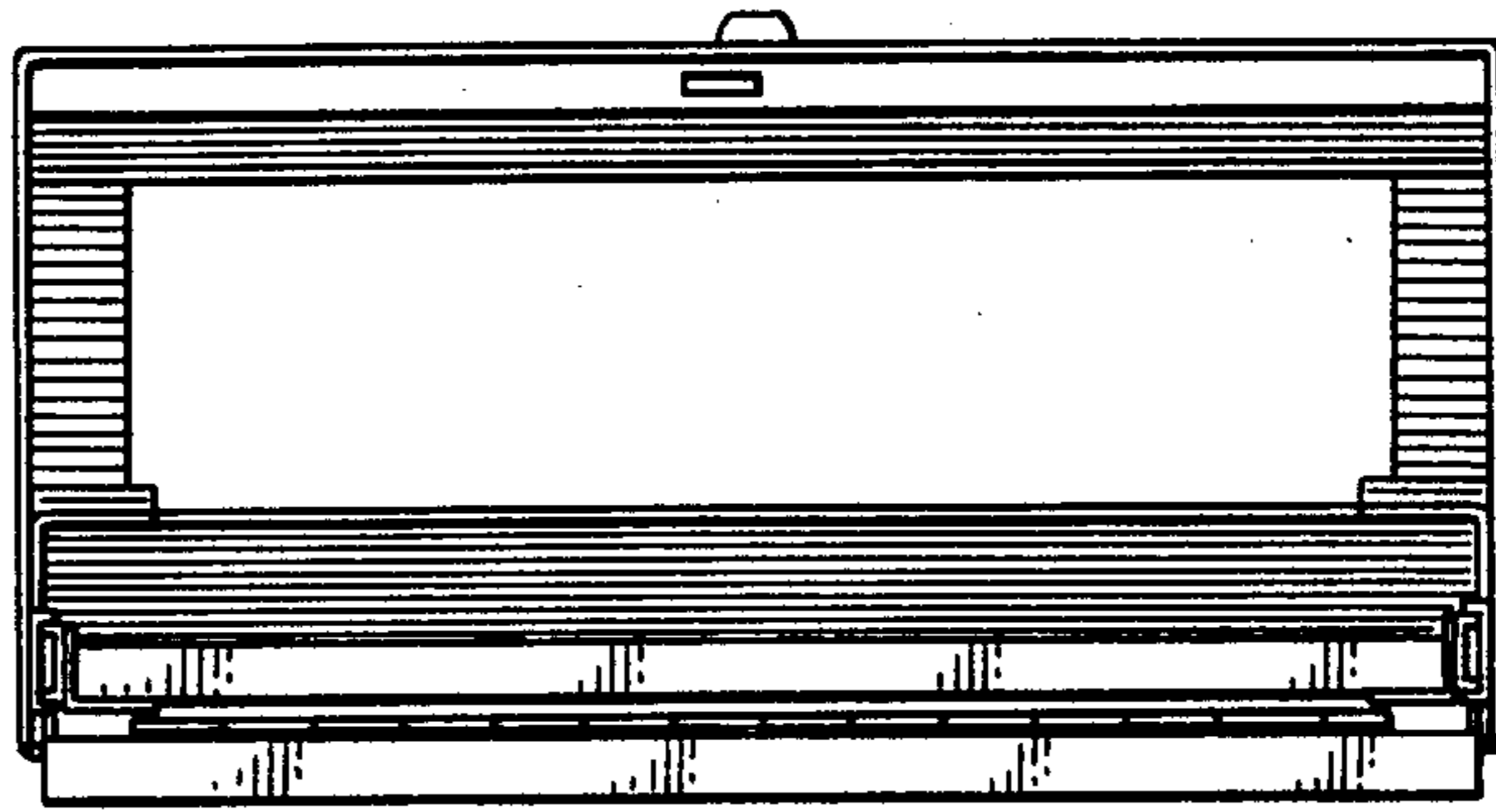


Fig. 20.

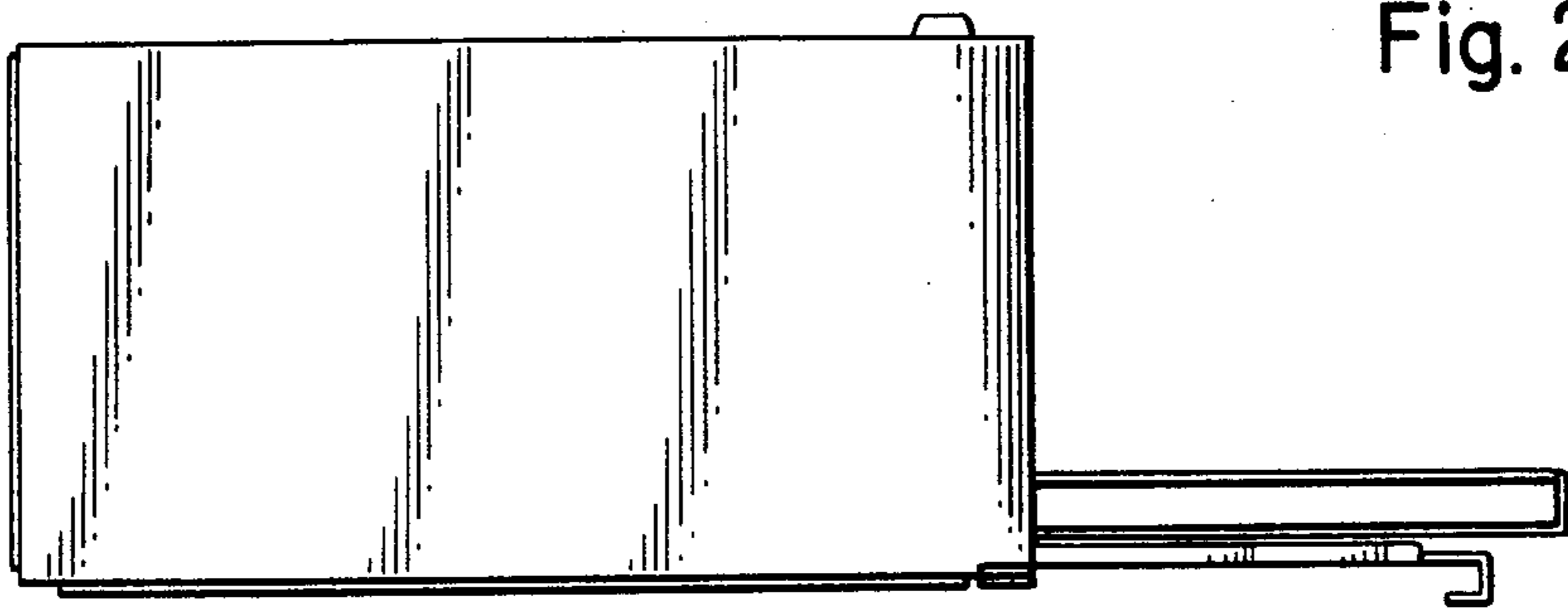


Fig. 21.

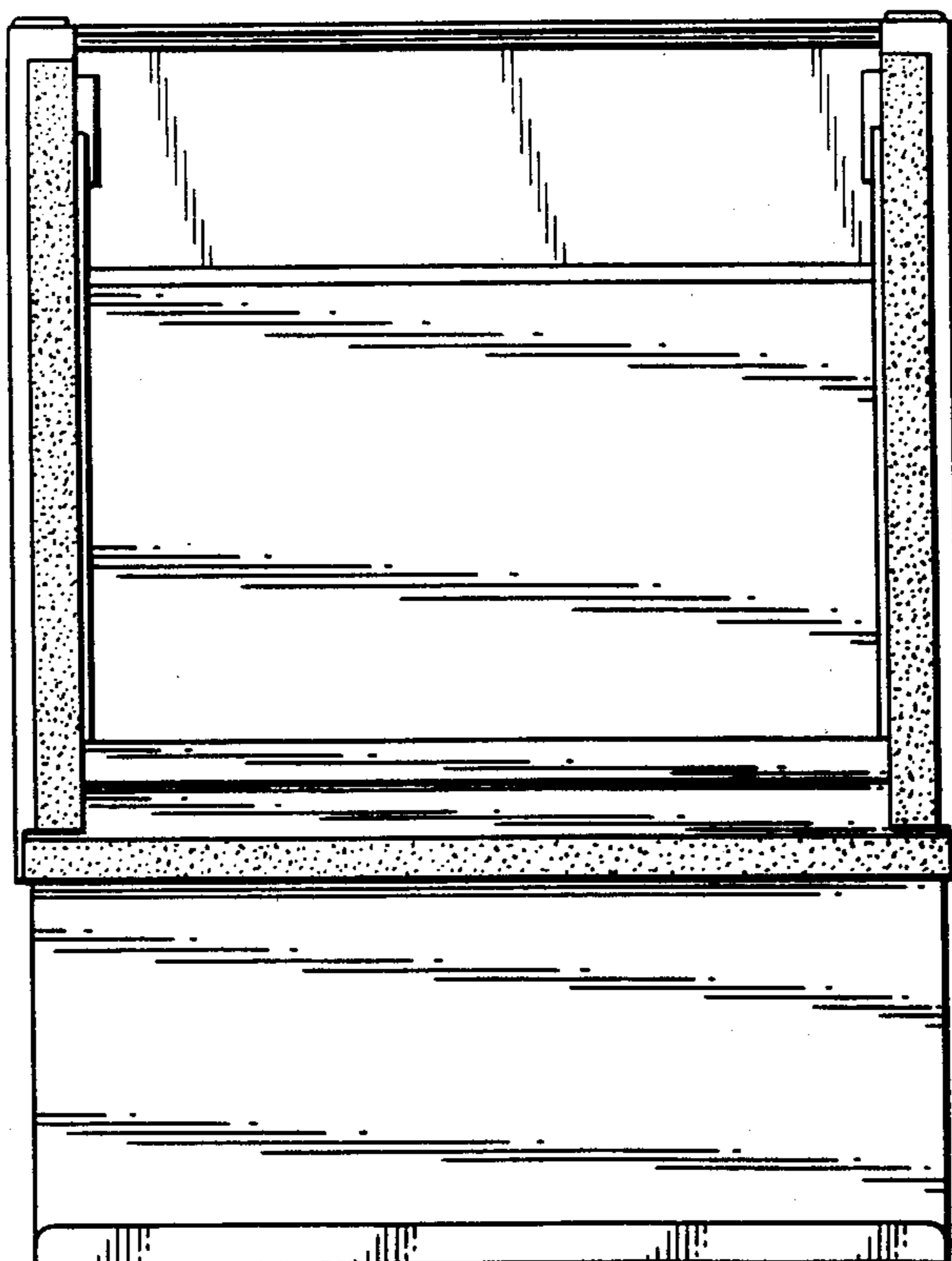


Fig. 22.

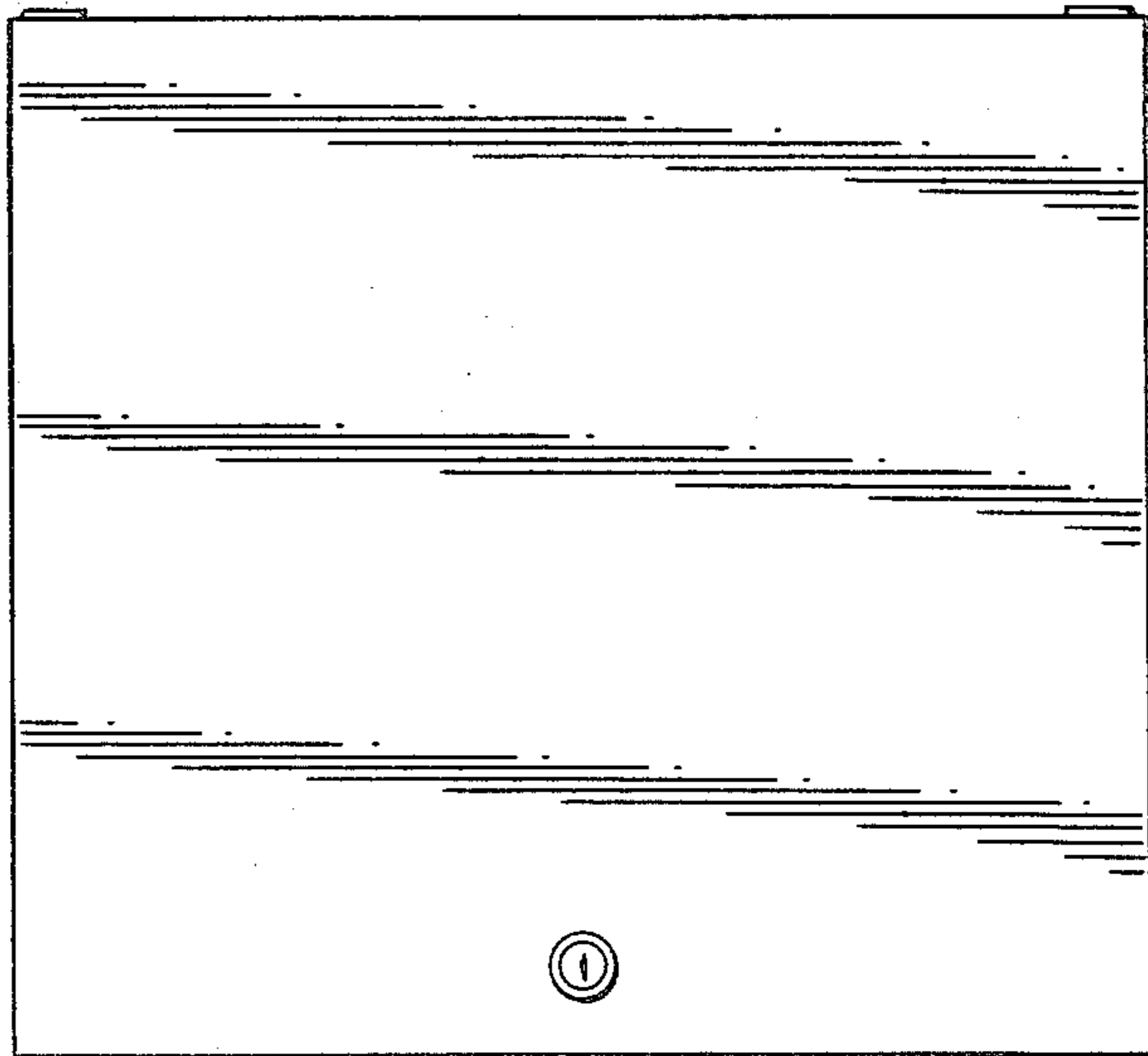


Fig. 23.

