

[54] FILE CABINET

[75] Inventor: Andreas Christen, Zurich, Switzerland

[73] Assignee: H.W. Zurmühle AG, Richterswil, Switzerland

[**] Term: 14 Years

[21] Appl. No.: 669,951

[22] Filed: Nov. 9, 1984

[30] Foreign Application Priority Data

Jun. 1, 1984 [XH] Hague 74101
[52] U.S. Cl. D6/446
[58] Field of Search D6/432, 445, 446, 447, D6/448; 312/107, 330 R

[56] References Cited

U.S. PATENT DOCUMENTS

D. 209,407	11/1967	Gilmour	D6/446
D. 248,705	8/1978	Thomas	D6/448
1,329,616	2/1920	Larson	312/107
1,390,377	9/1921	Ohnstrand	312/107
3,218,112	11/1965	Stark	312/320 X
3,429,632	2/1969	Simon et al.	312/330 X
3,650,592	3/1972	Williams	312/330

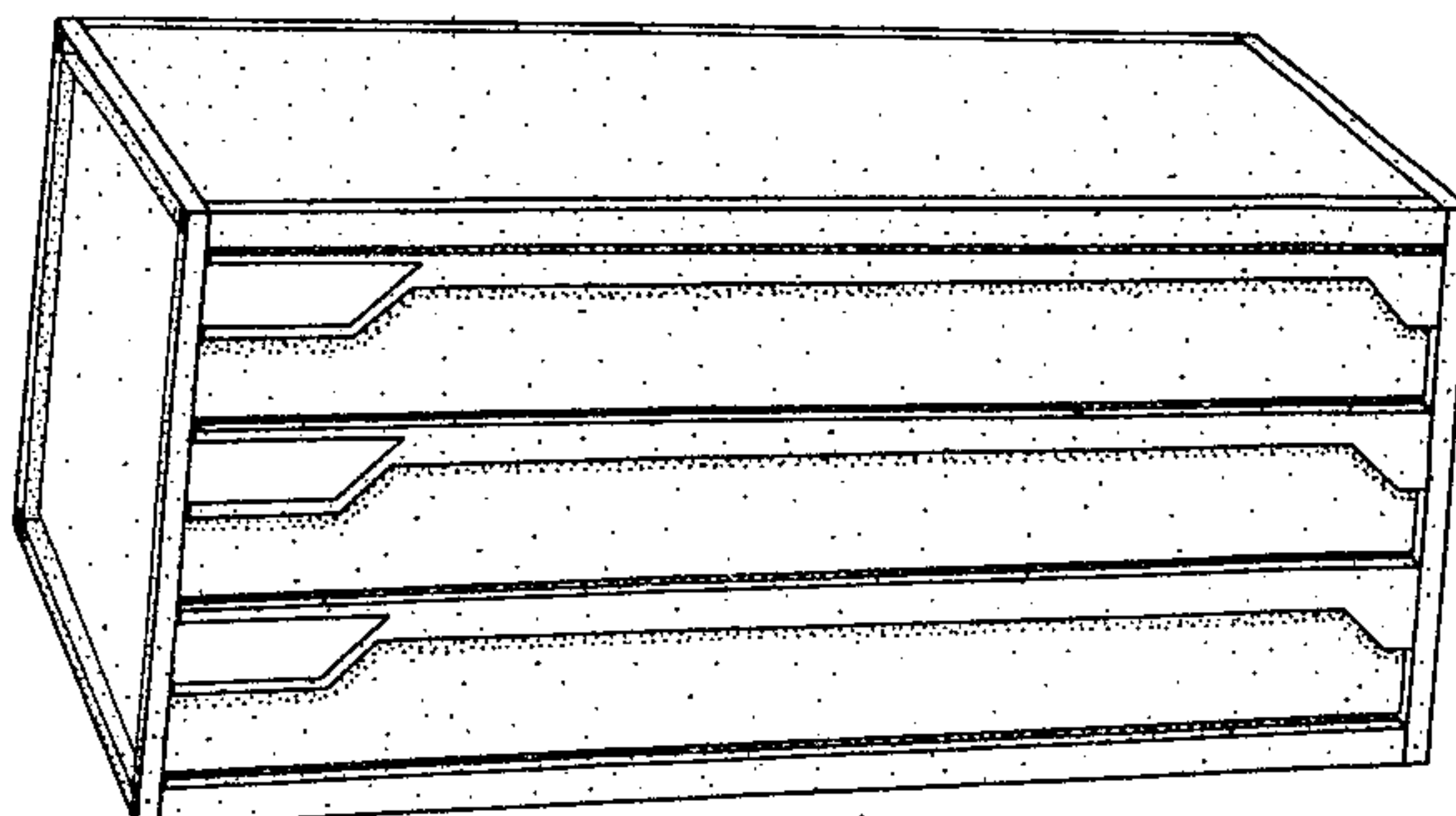
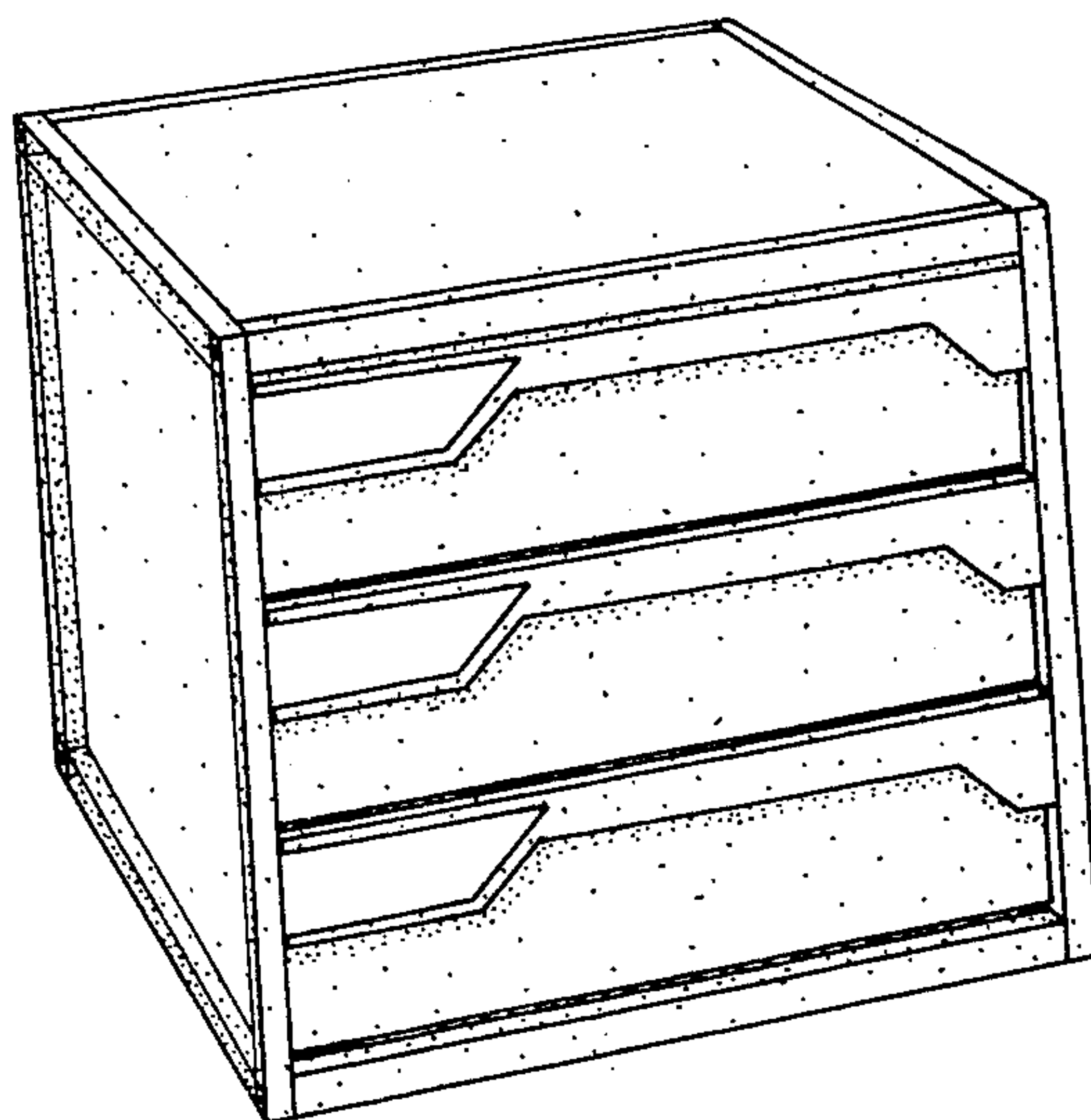
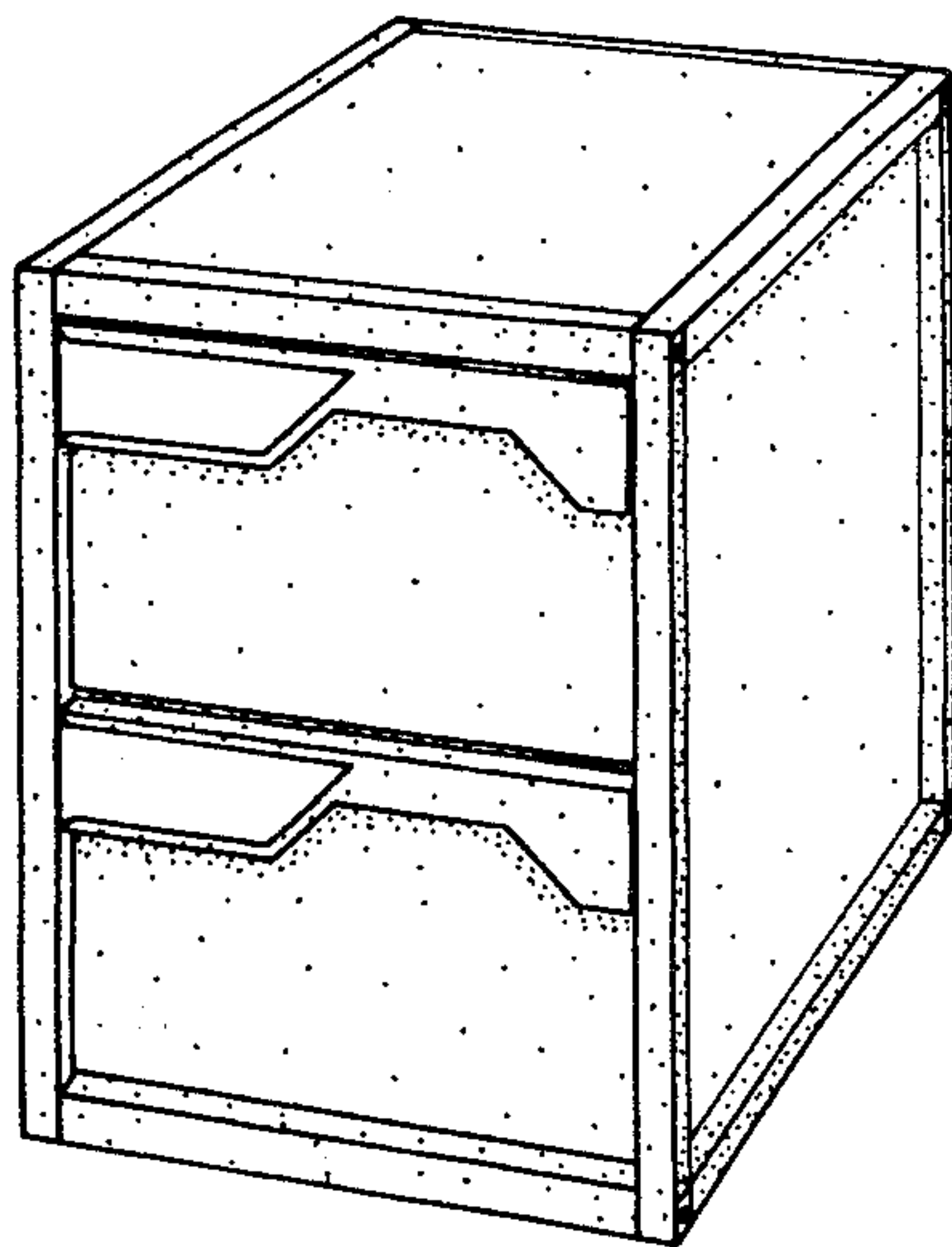
Primary Examiner—Carmen H. Vales
Attorney, Agent, or Firm—Werner W. Kleeman

[57] CLAIM

The ornamental design for a file cabinet, substantially as shown and described.

DESCRIPTION

FIG. 1 is a perspective view of a file cabinet showing my new design;
FIG. 2 is a front elevational view thereof;
FIG. 3 is a side elevational view, the opposite side being a mirror image thereof;
FIG. 4 is a rear elevational view thereof;
FIG. 5 is a top plan view thereof;
FIG. 6 is a bottom plan view thereof;
FIG. 7 is a perspective view of a second embodiment of the file cabinet shown in FIG. 1;
FIG. 8 is a front elevational view thereof;
FIG. 9 is a side elevational view, the opposite side being a mirror image thereof;
FIG. 10 is a rear elevational view thereof;
FIG. 11 is a top plan view thereof;
FIG. 12 is a bottom plan view thereof;
FIG. 13 is a perspective view of a third embodiment of the file cabinet shown in FIG. 1;
FIG. 14 is a front elevational view thereof;
FIG. 15 is a side elevational view, the opposite side being a mirror image thereof;
FIG. 16 is a rear elevational view thereof;
FIG. 17 is a top plan view thereof; and
FIG. 18 is a bottom plan view thereof.



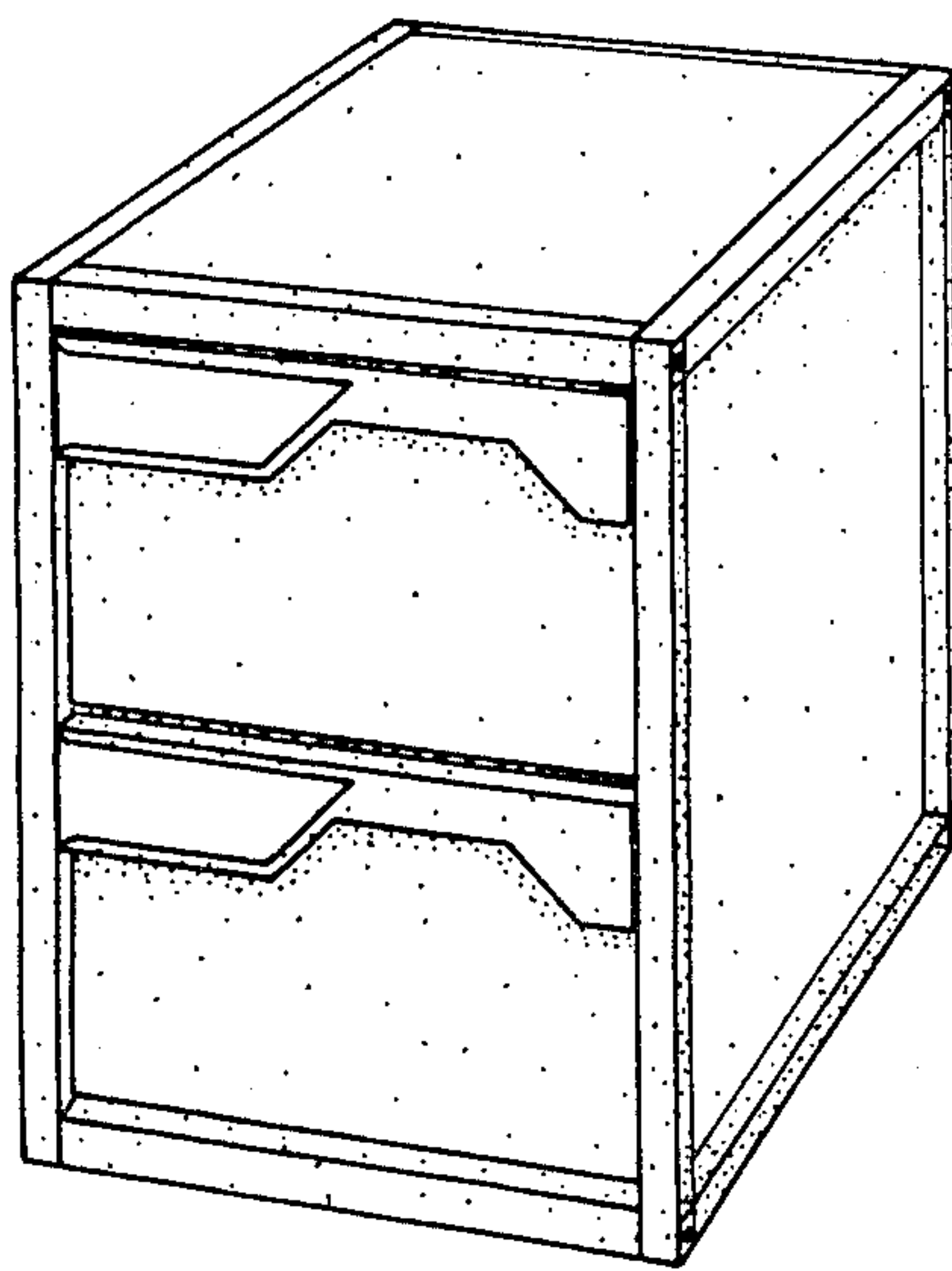


FIG. 1

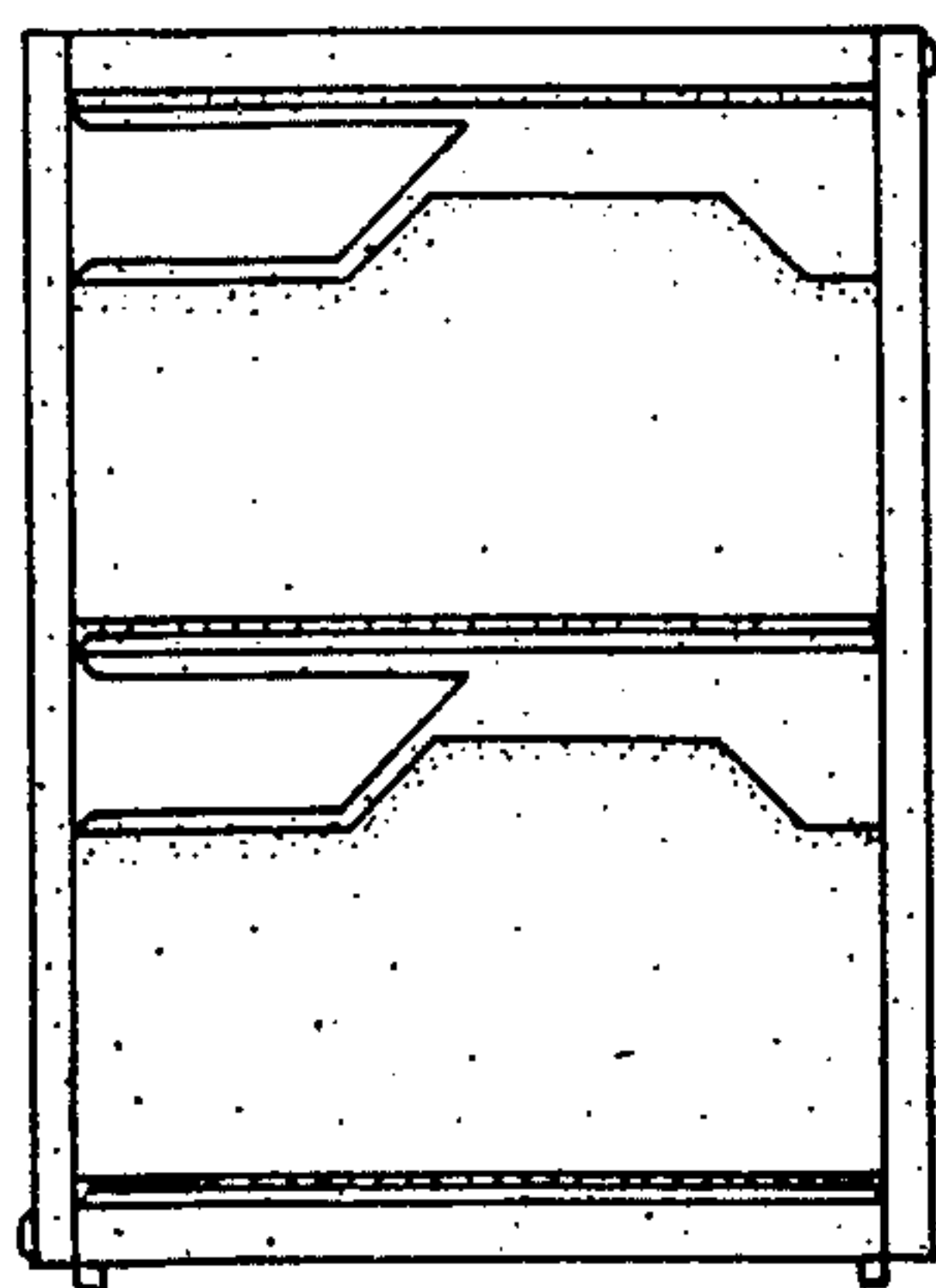


FIG. 2



FIG. 3

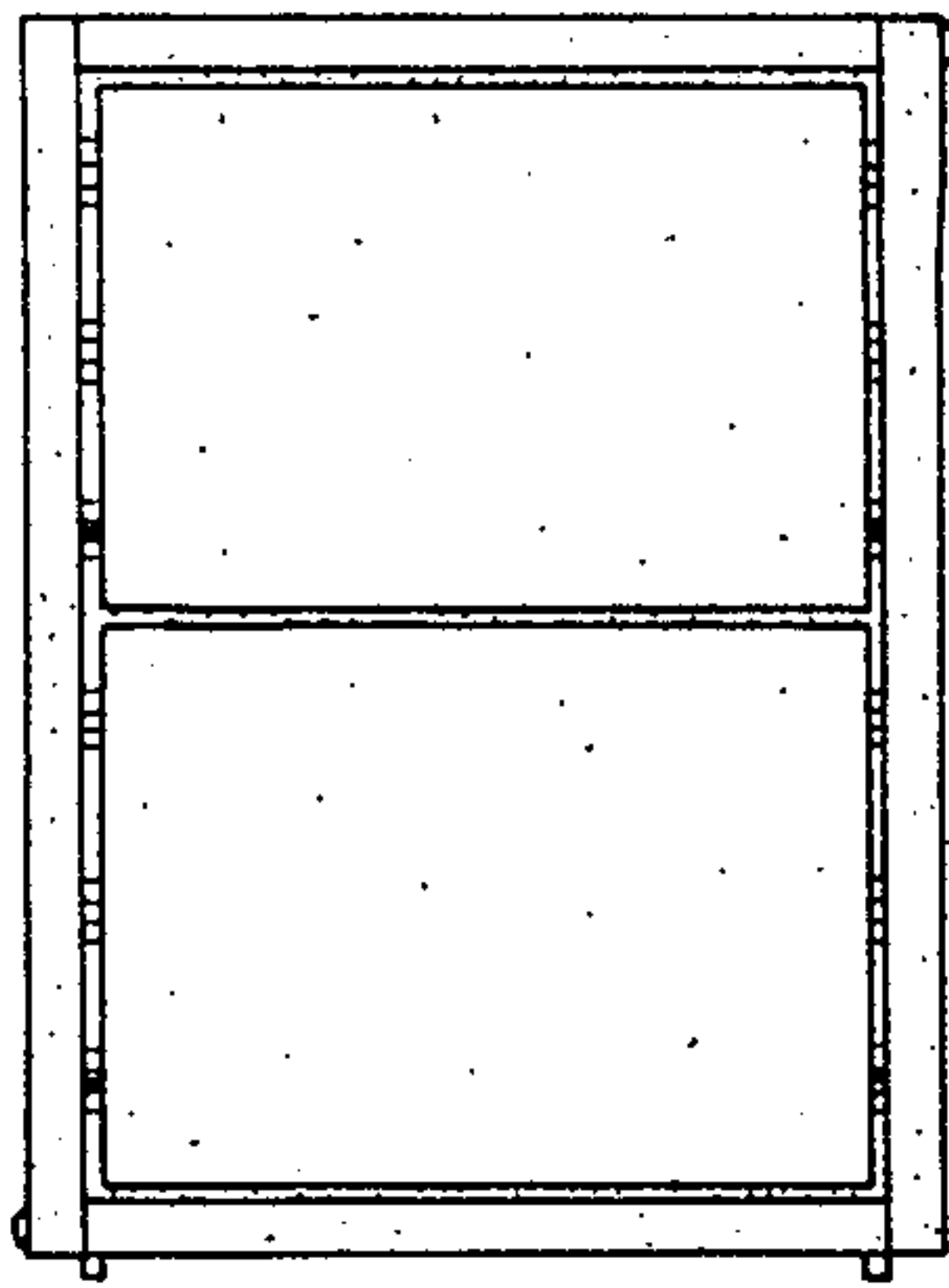


FIG. 4

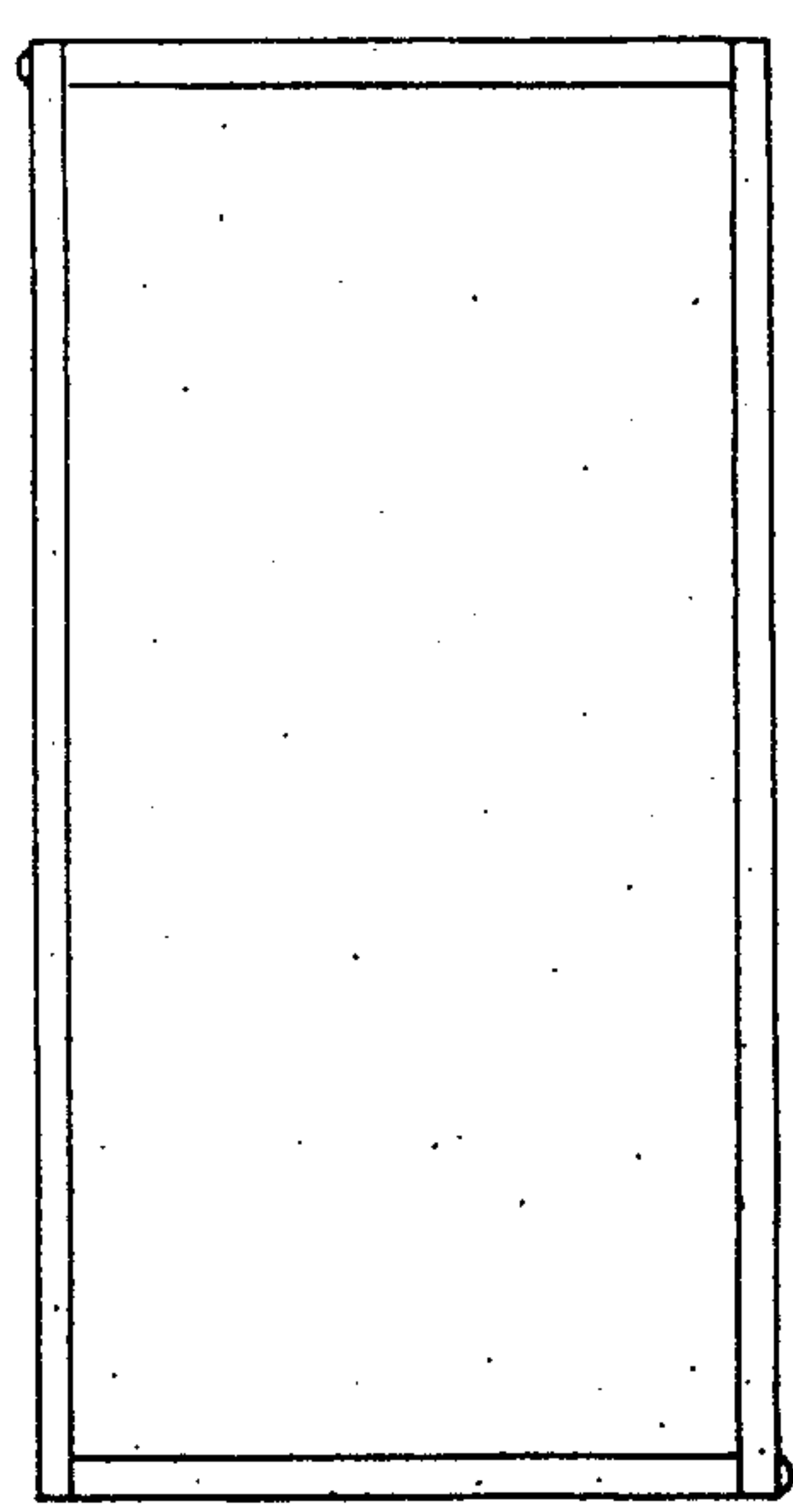


FIG. 5

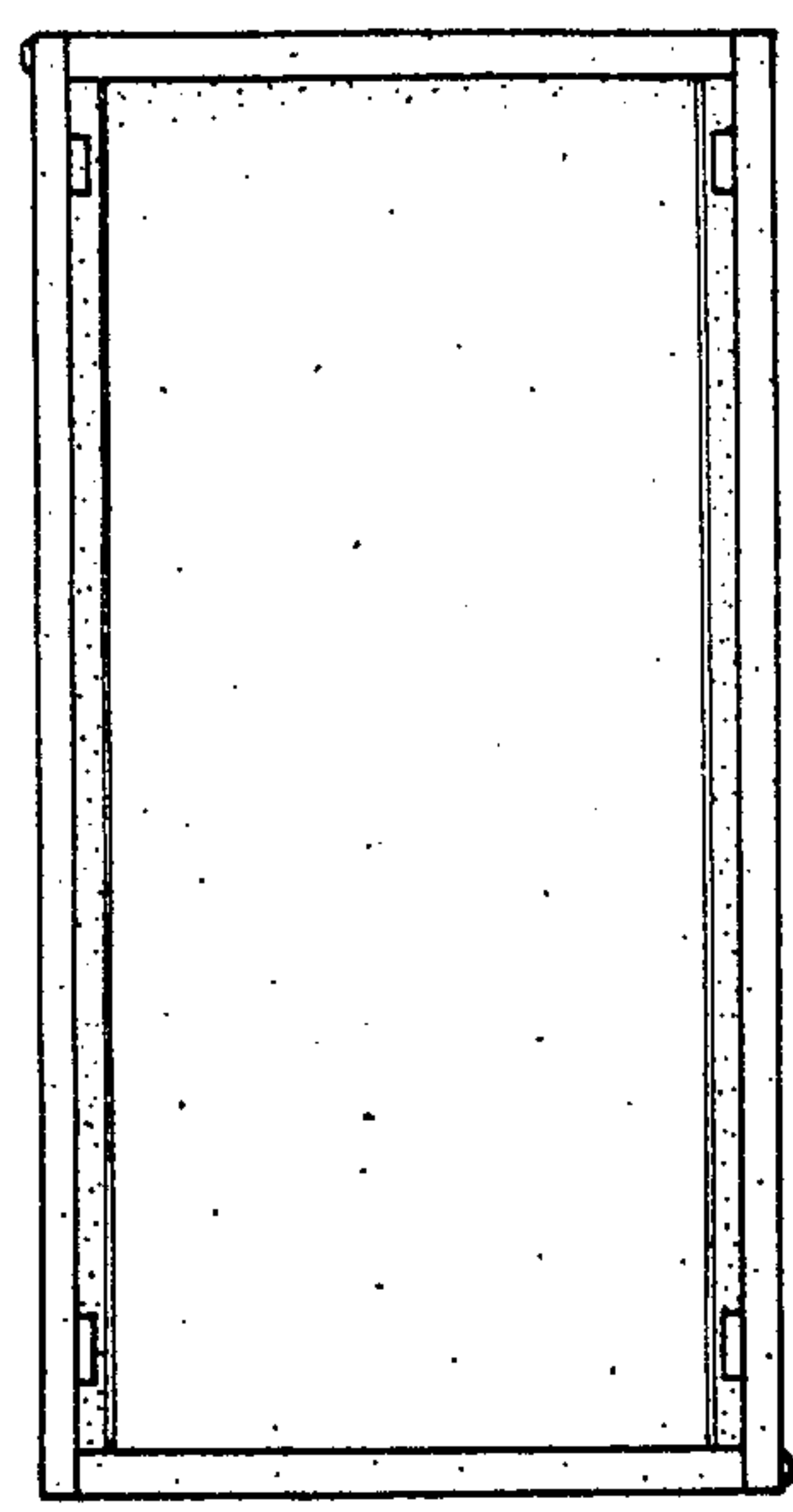


FIG. 6

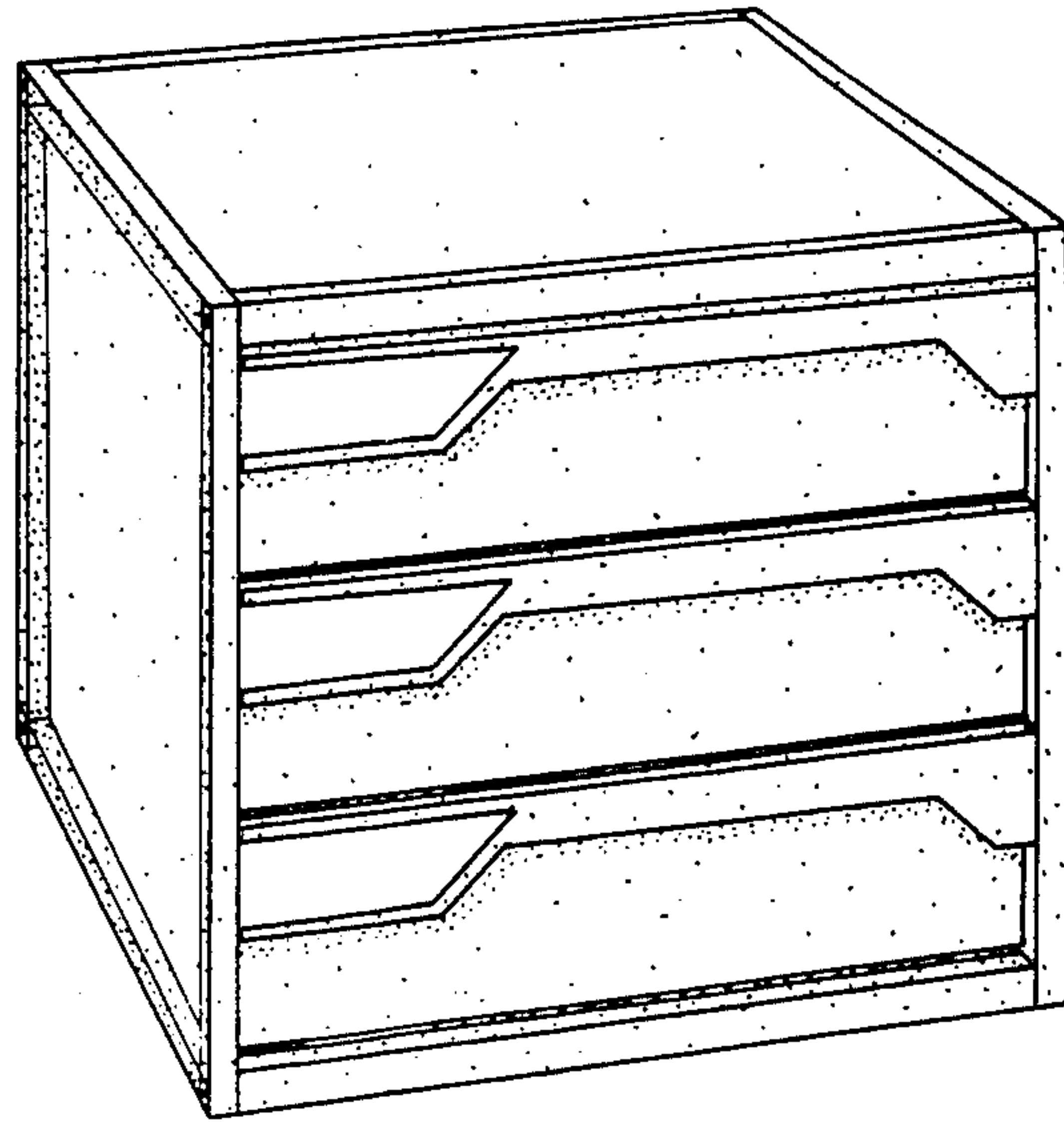


FIG. 7

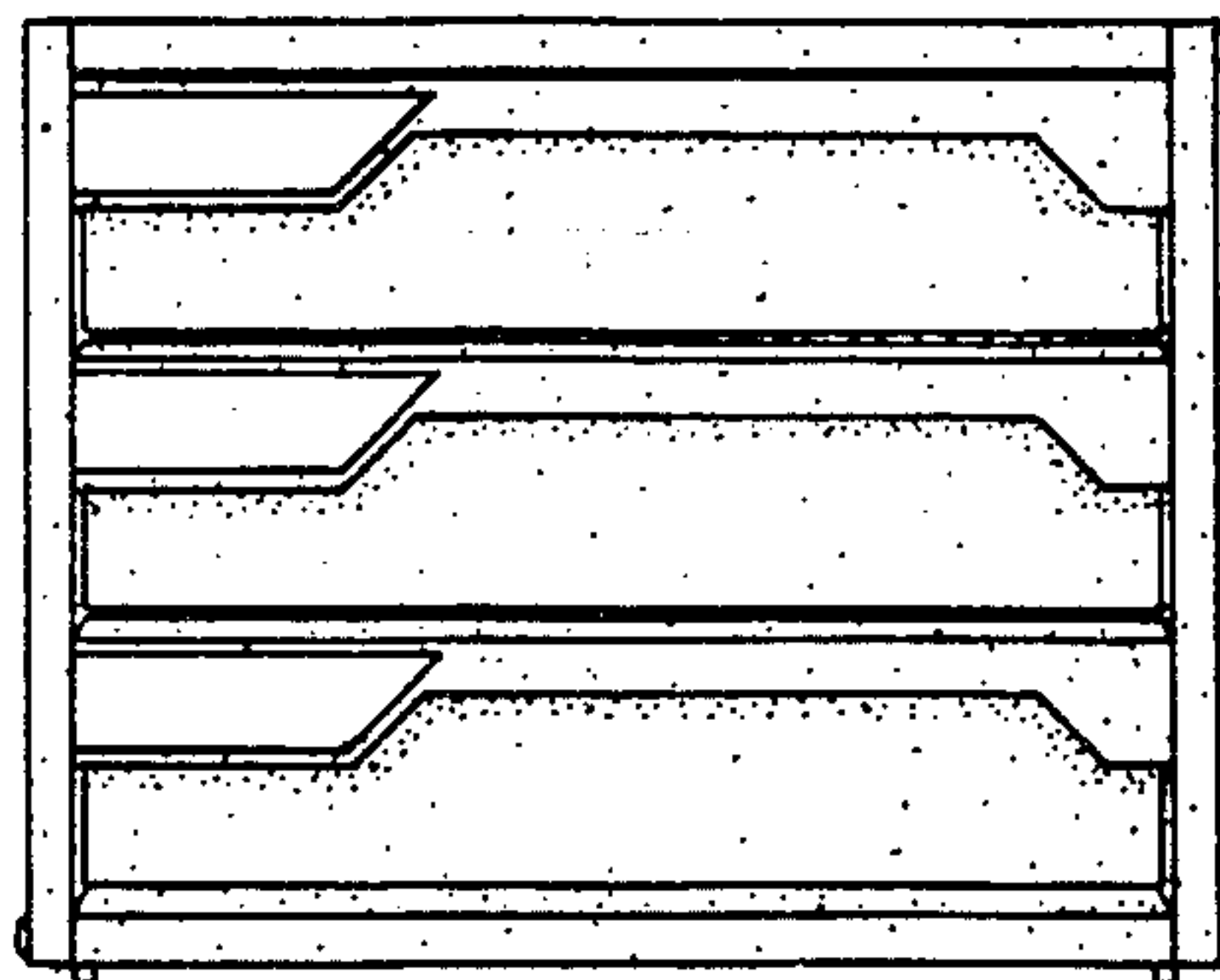


FIG. 8

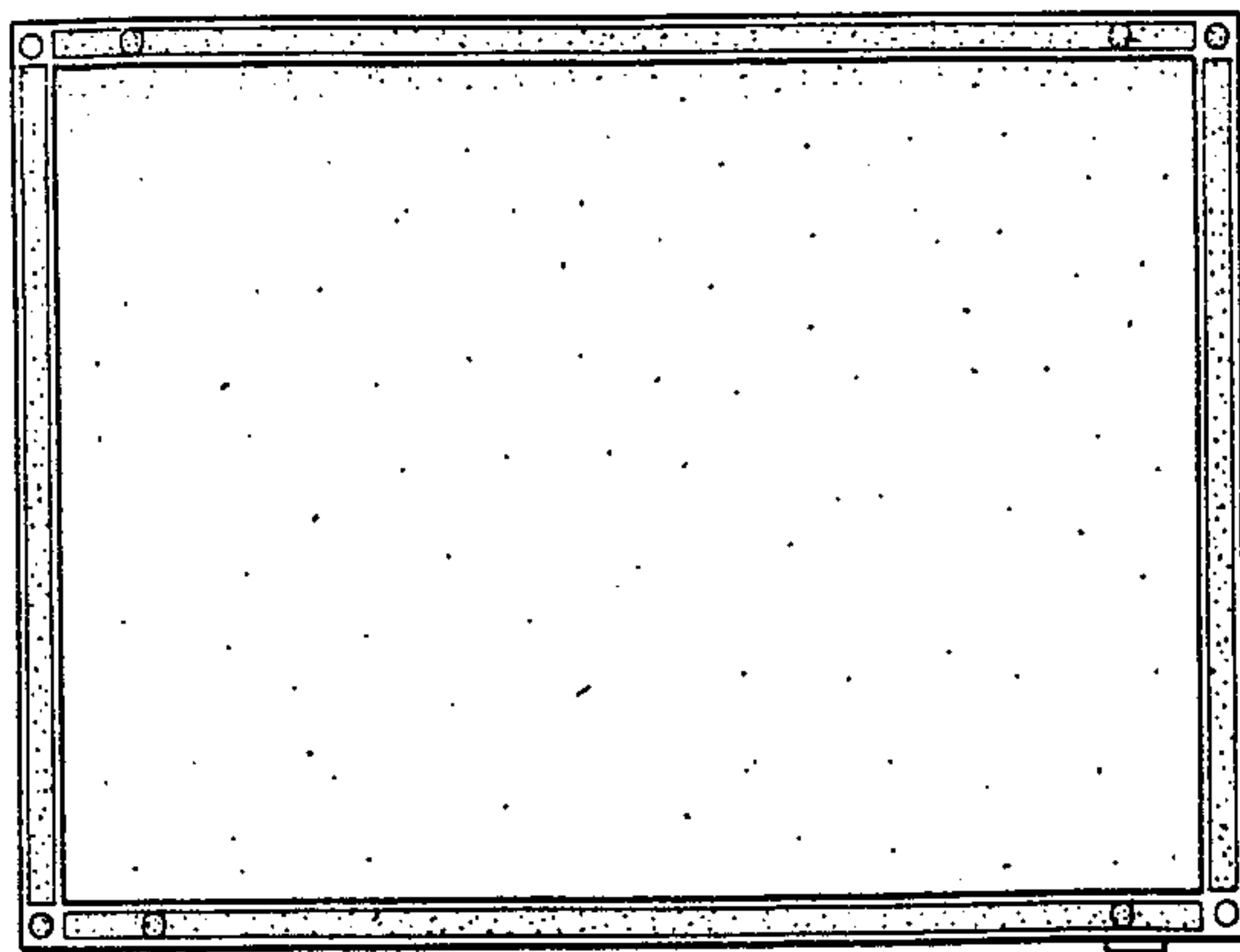


FIG. 9

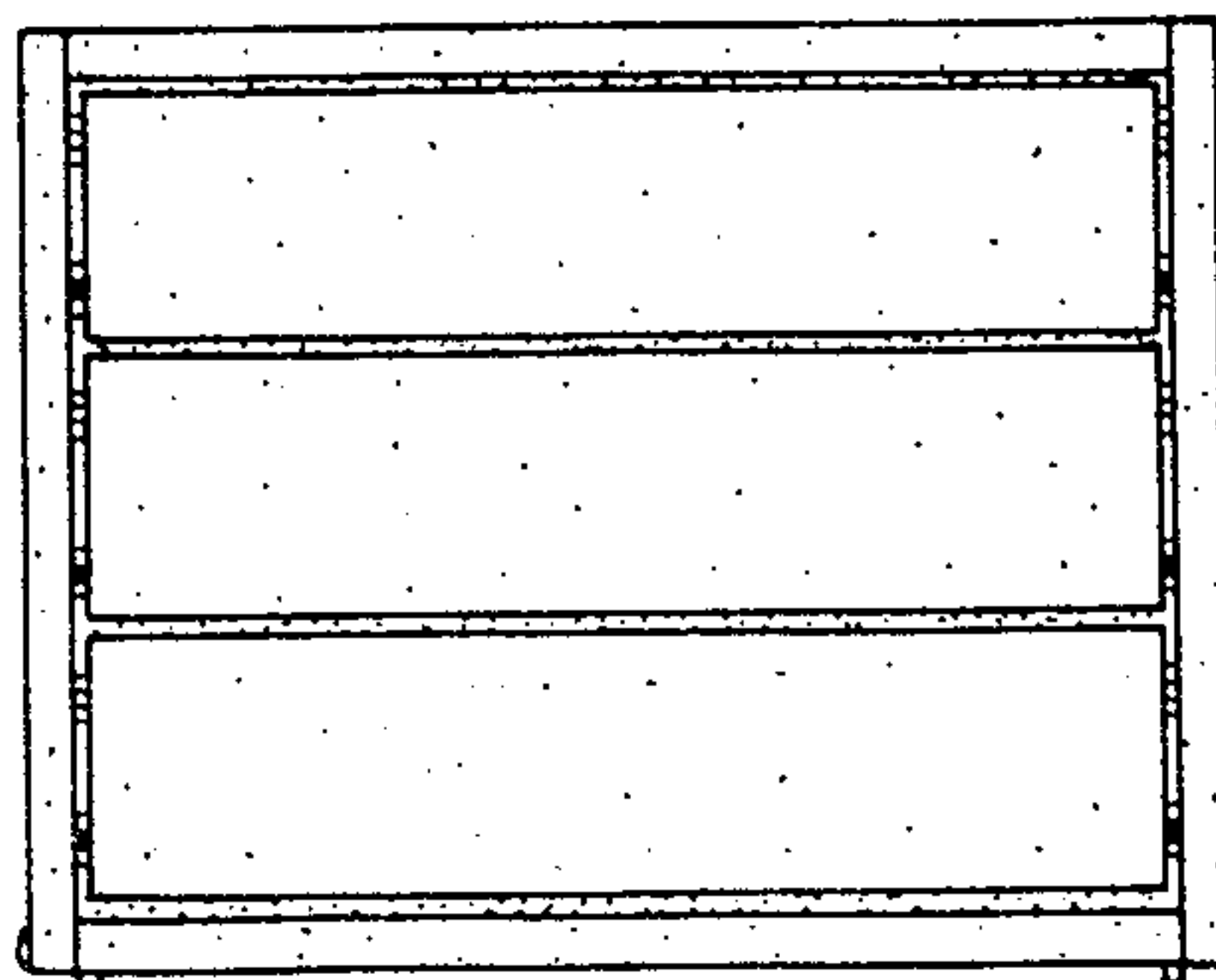


FIG. 10

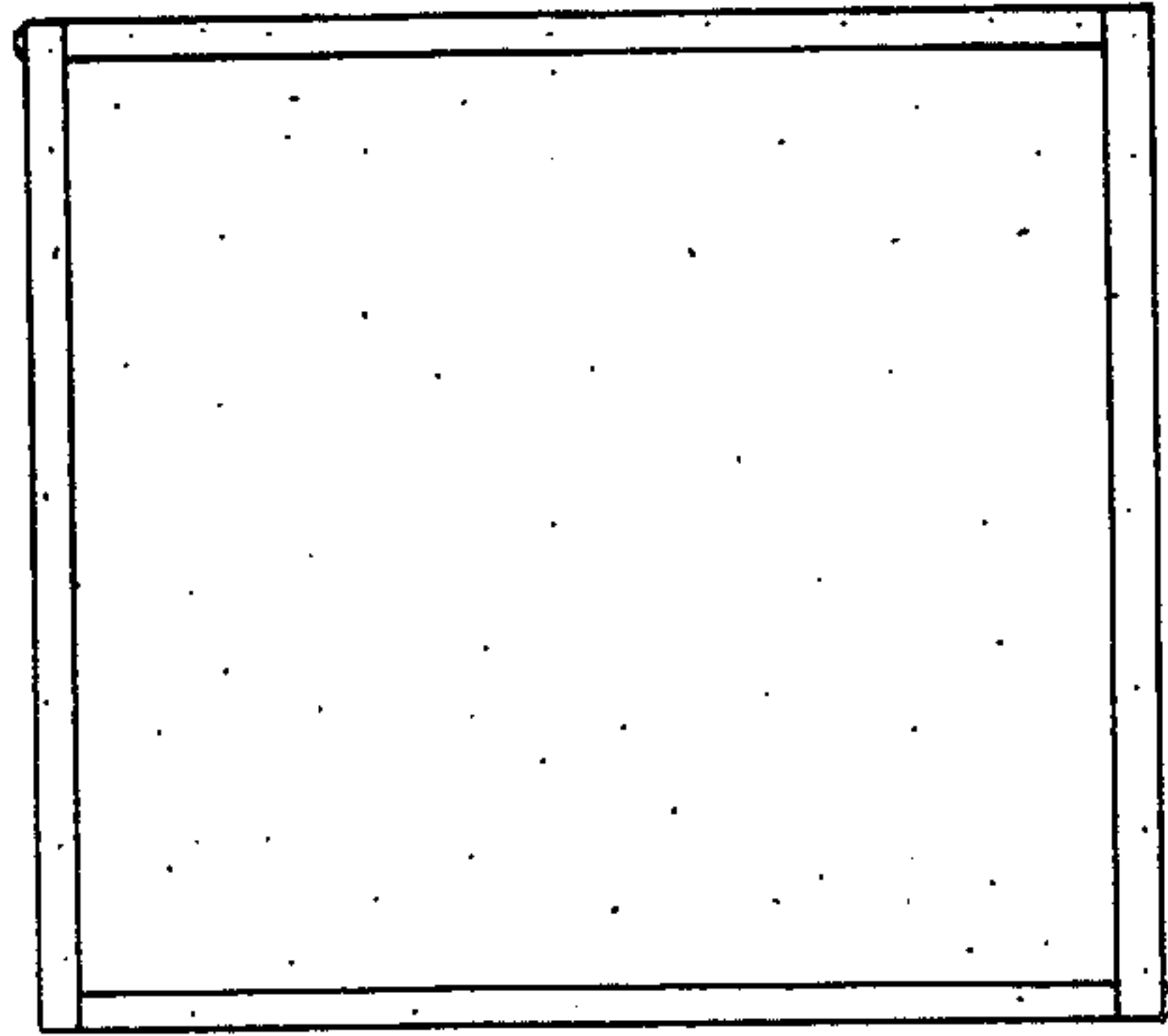


FIG. 11

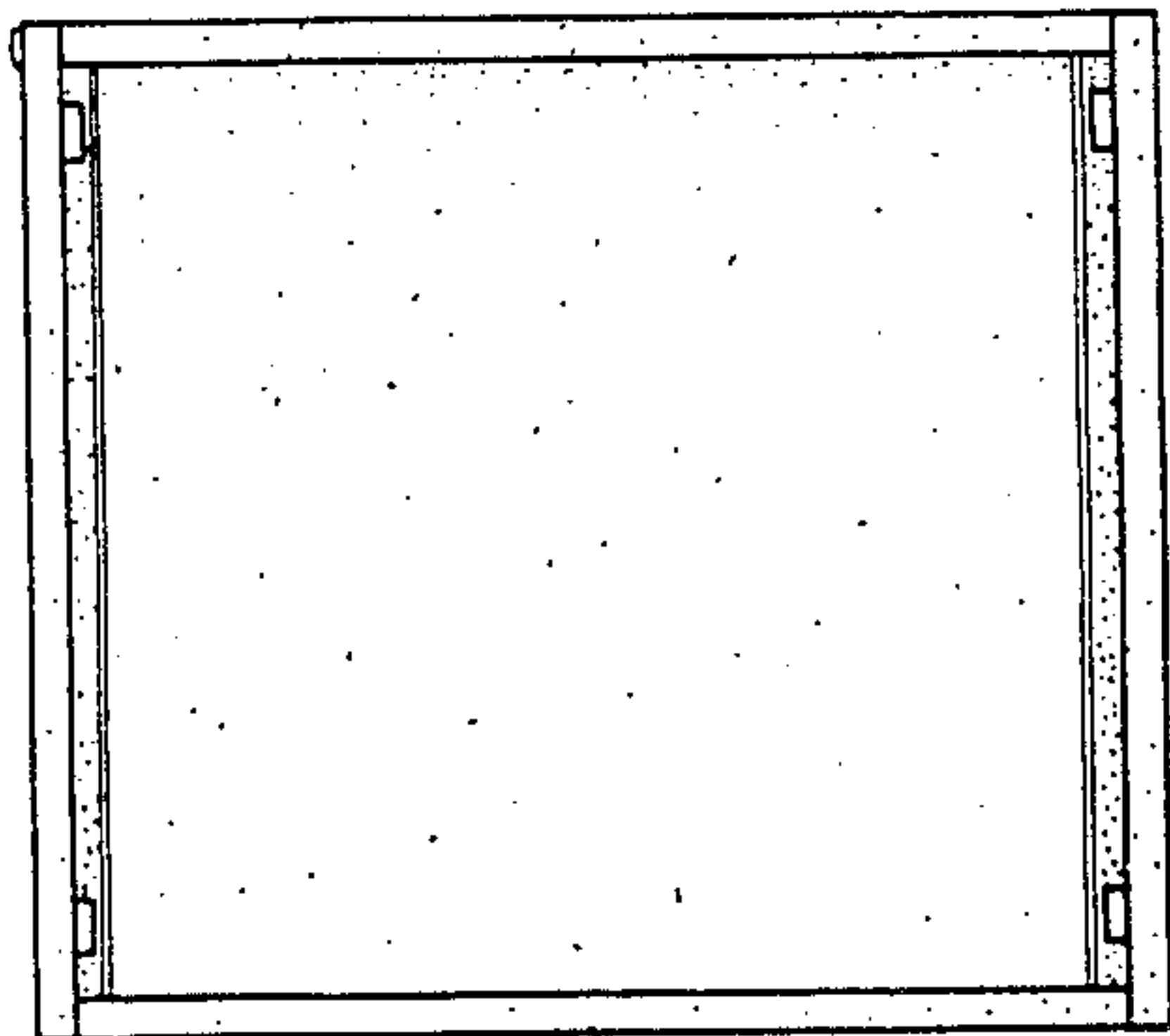


FIG. 12

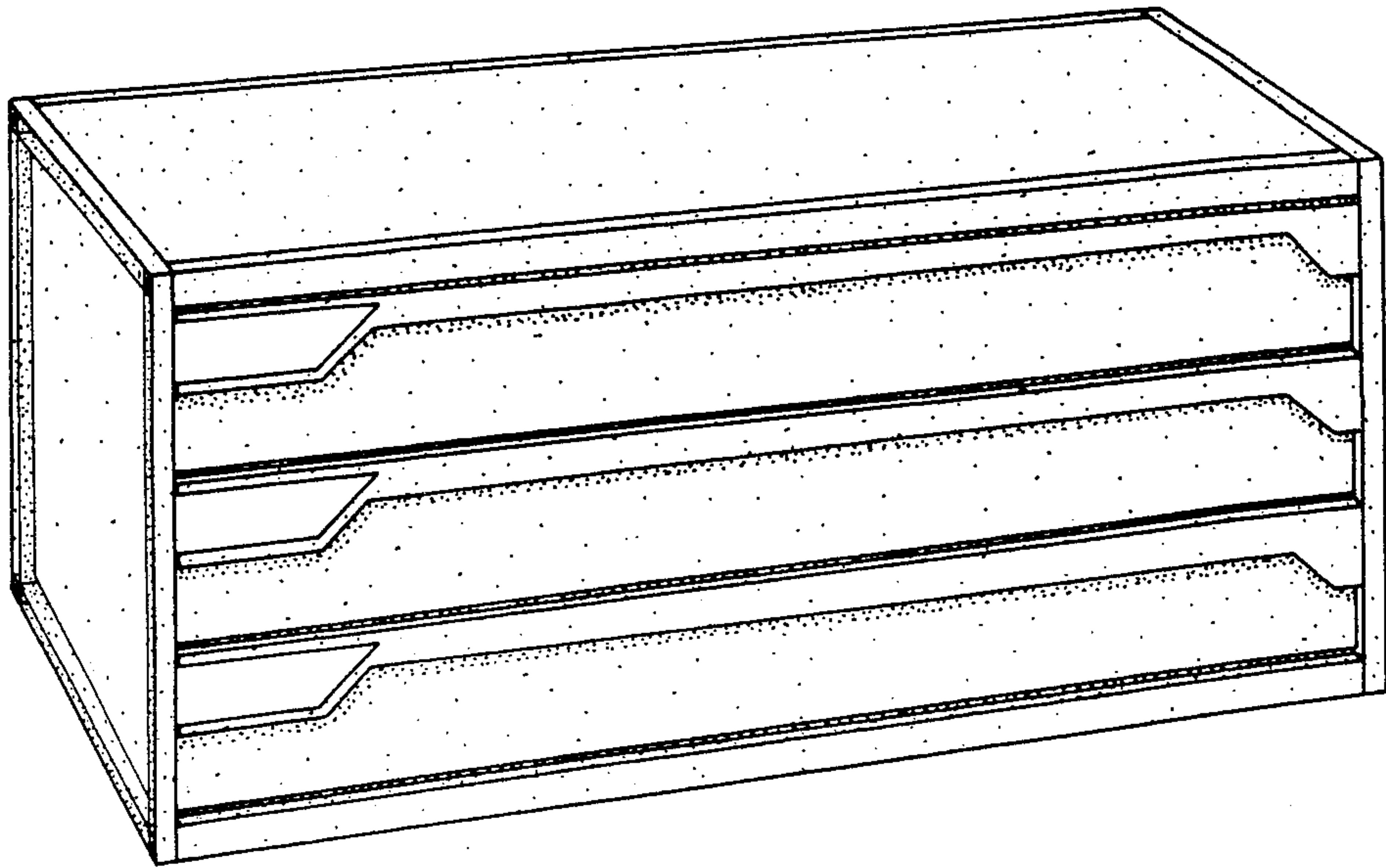


FIG. 13

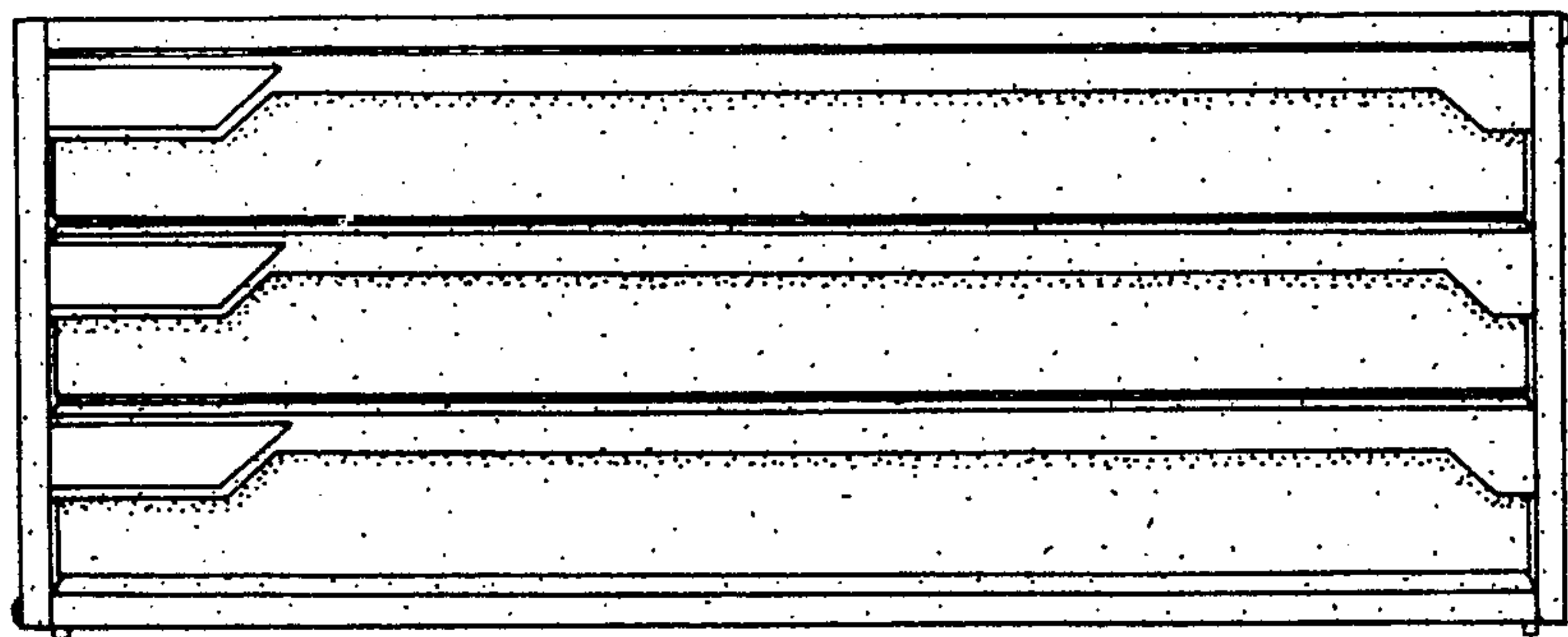


FIG. 14

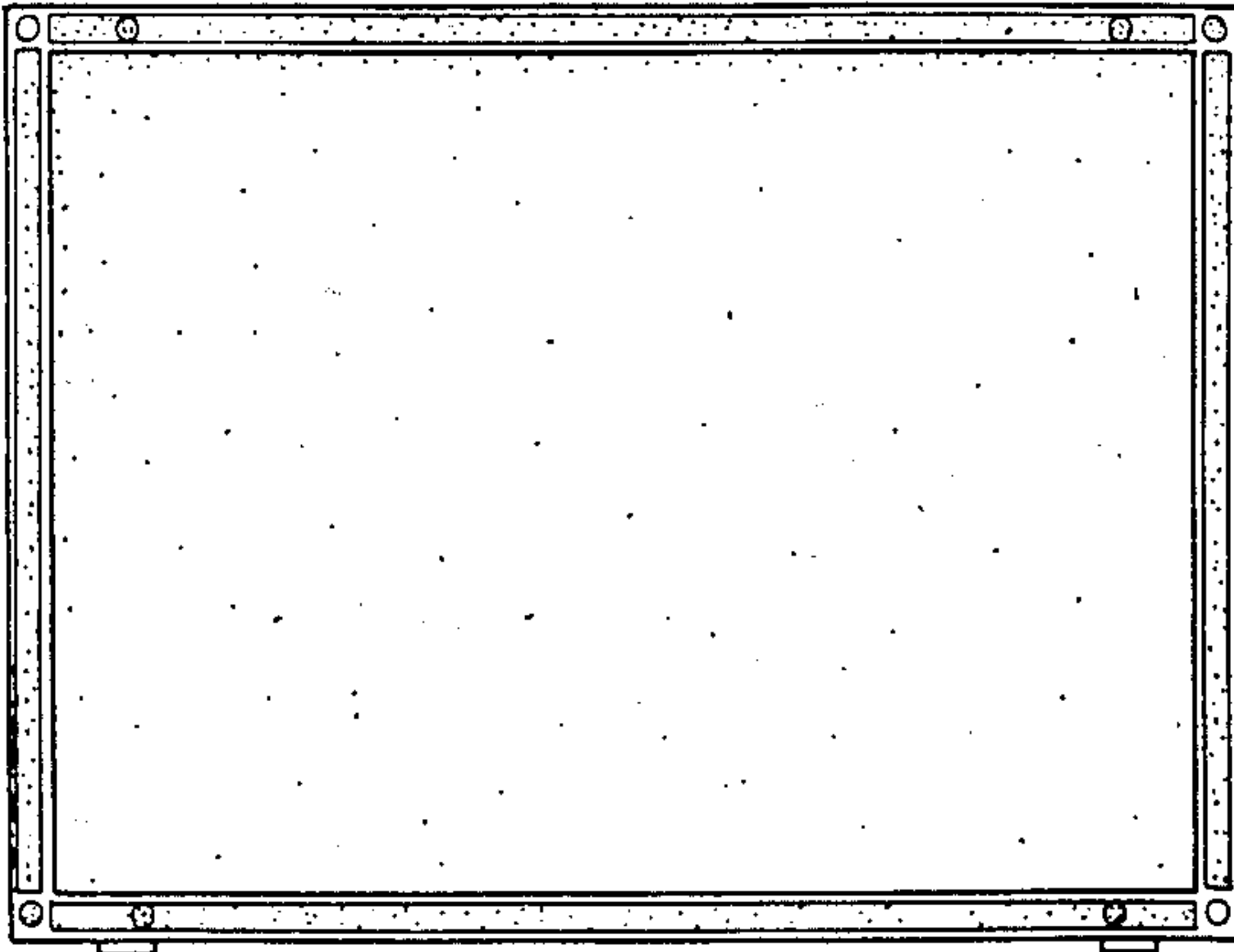


FIG. 15

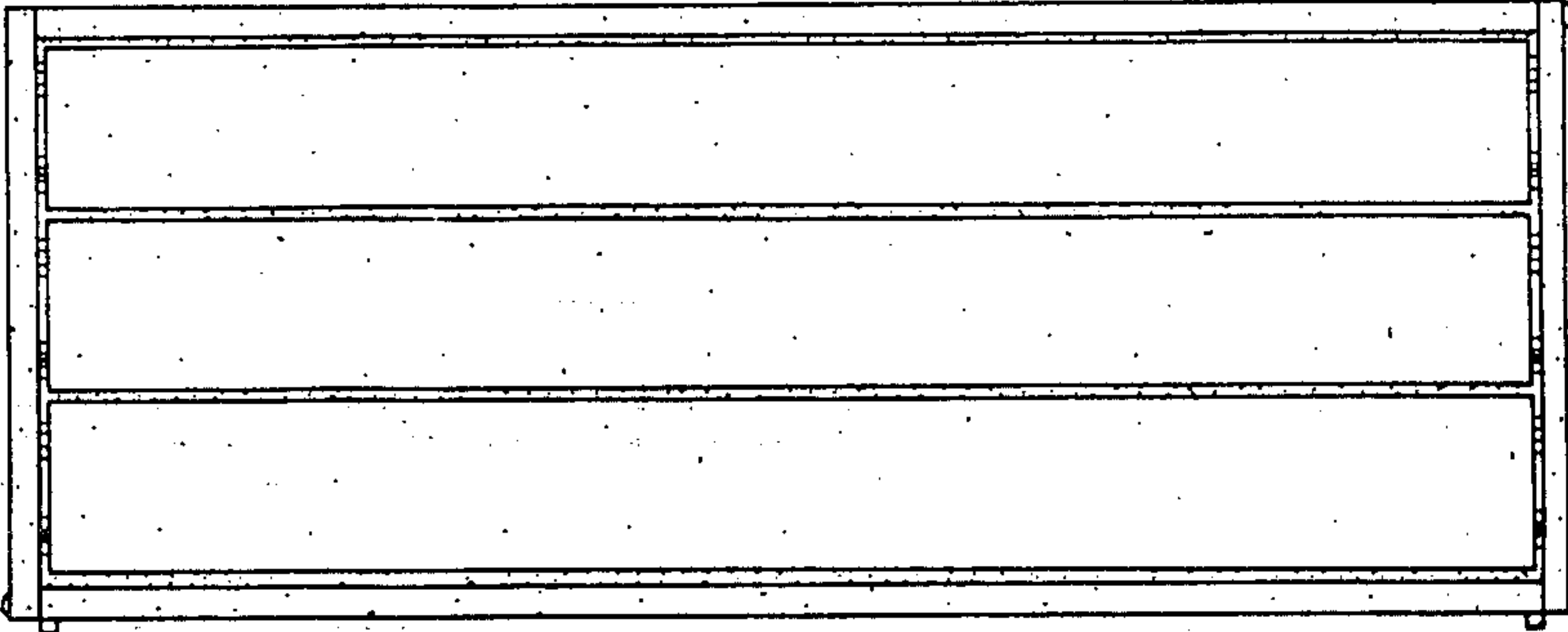


FIG. 16

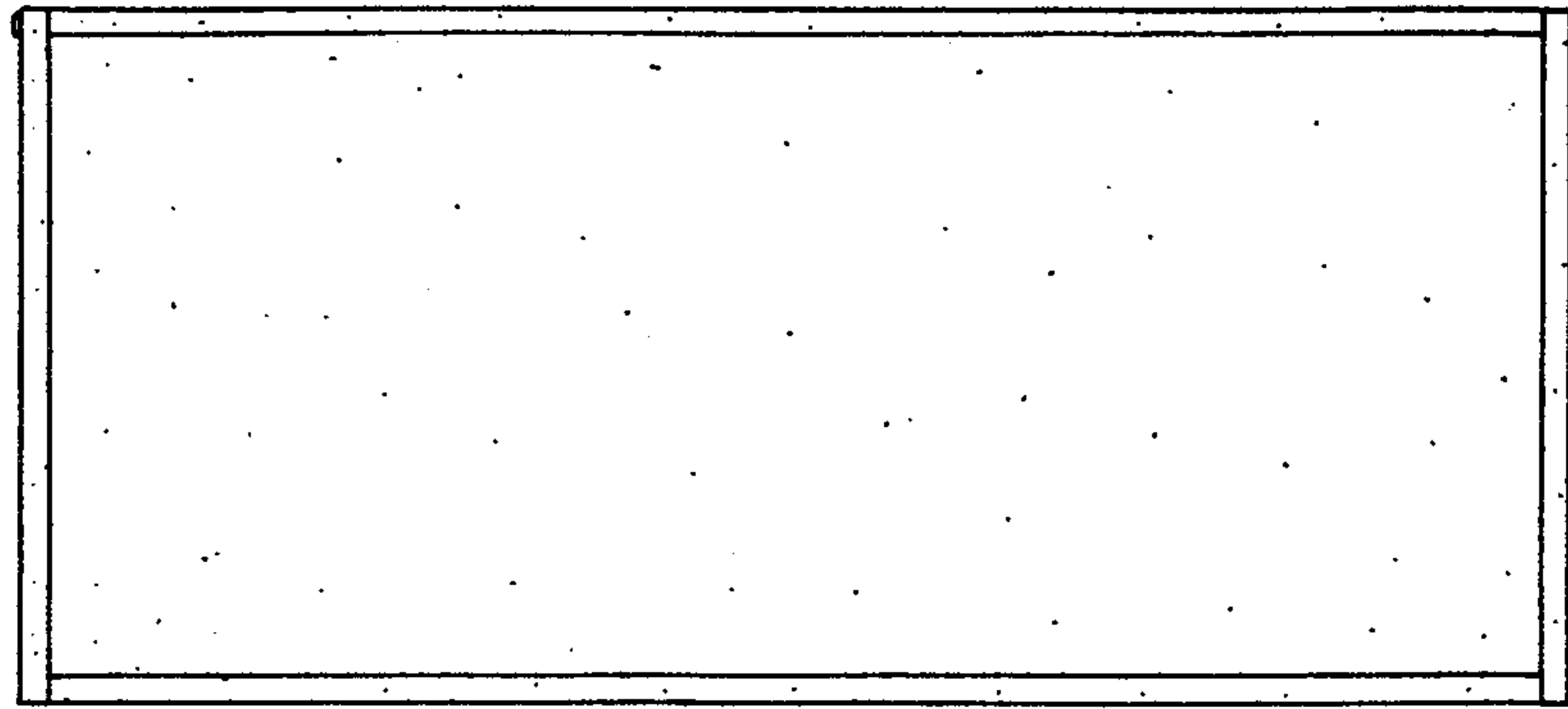


FIG. 17

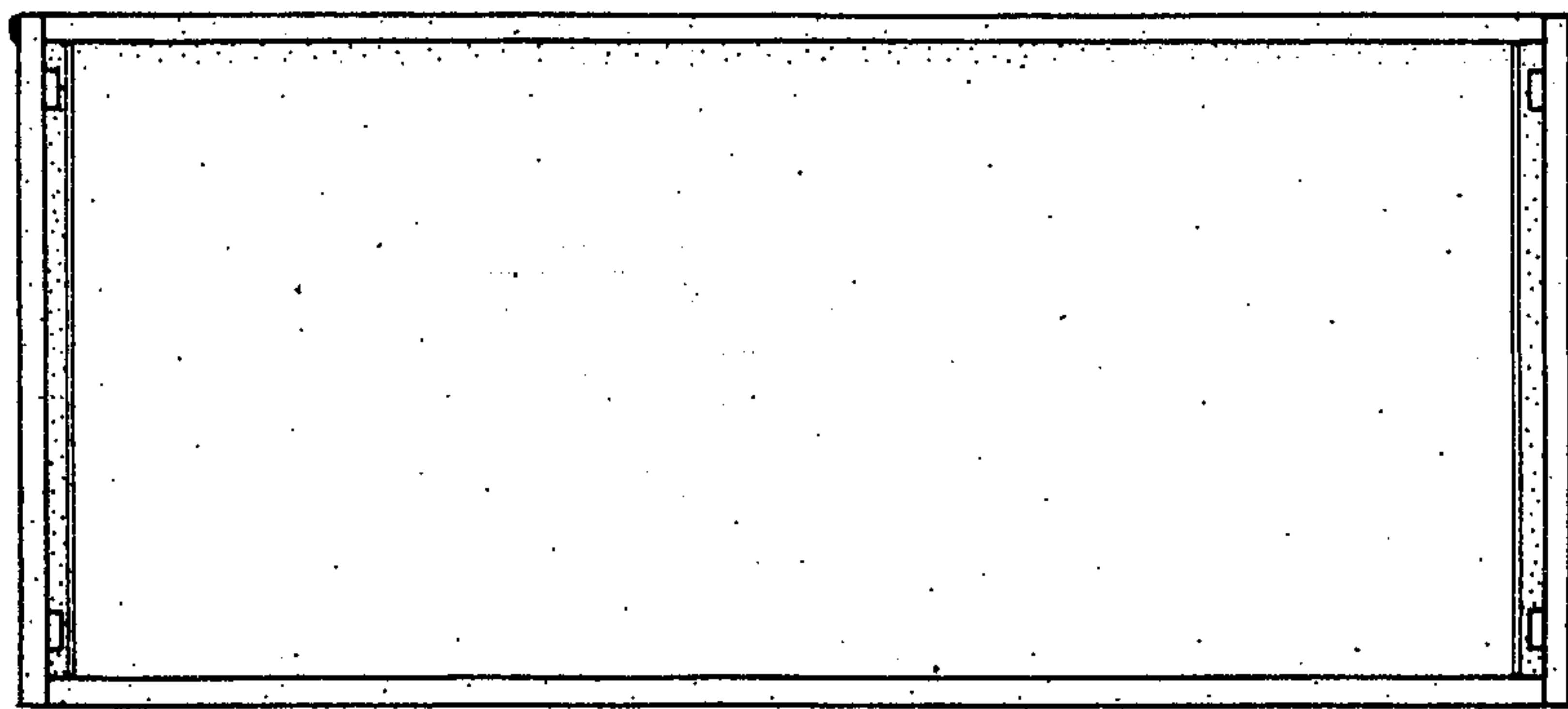


FIG. 18