

[54] MINIATURE STEAM AND DRY IRON

[76] Inventor: Hong H. Wu, No. 50, Kuang Chou Rd., Tainan, Taiwan

[\*\*] Term: 14 Years

[21] Appl. No.: 680,938

[22] Filed: Dec. 12, 1984

[52] U.S. Cl. .... D32/70

[58] Field of Search ..... D32/68-72; 38/74, 75, 77.1-77.9, 79, 81, 88-92, 95

[56] References Cited

U.S. PATENT DOCUMENTS

- D. 240,997 8/1976 Julkenbeck ..... D32/70
- D. 276,473 11/1984 Ogawa et al. .... D32/70

OTHER PUBLICATIONS

Hong Kong Enterprises-9/83-p. 194-Indicator Spray Iron.

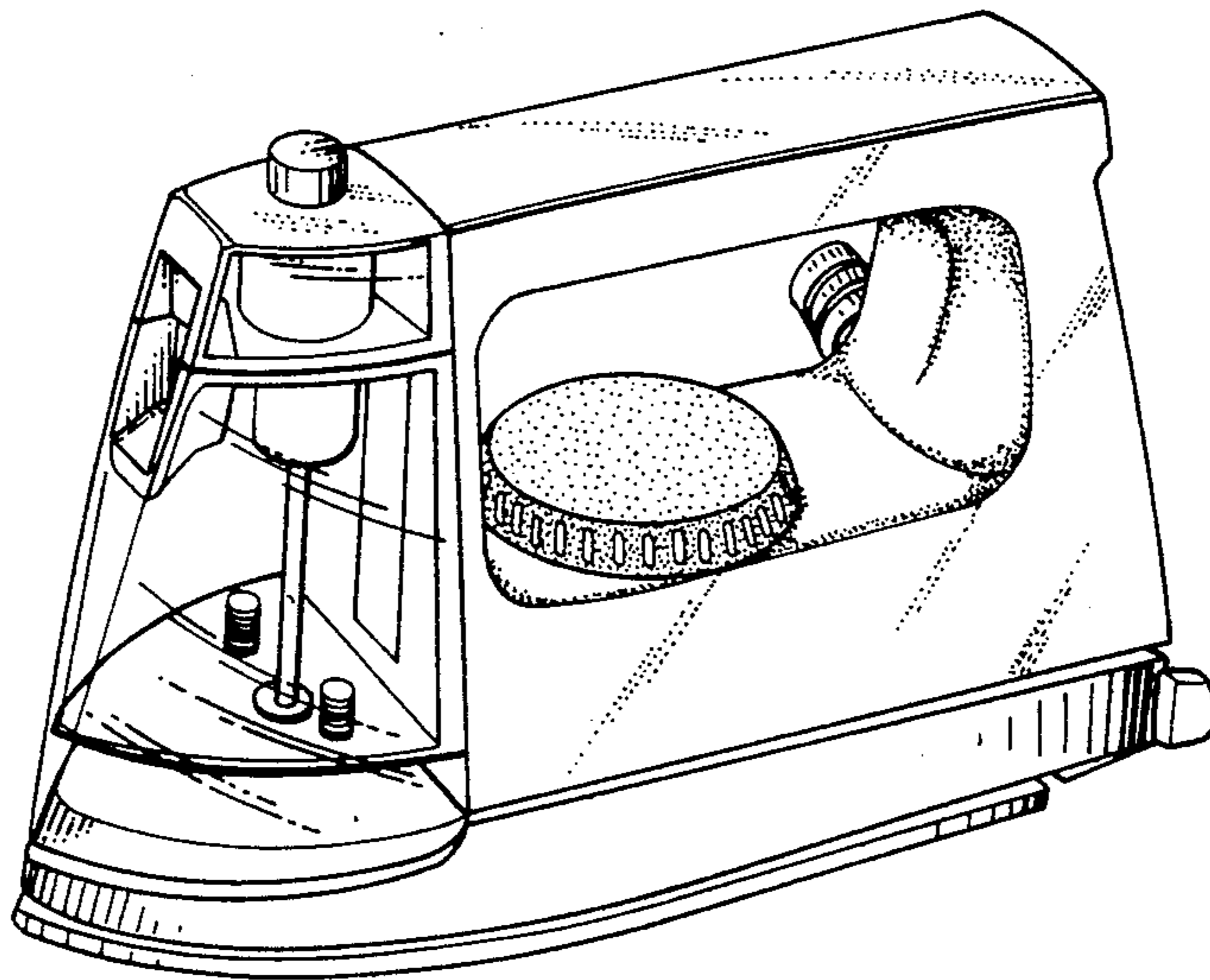
Primary Examiner—Catherine E. Kemper

[57] CLAIM

The ornamental design for a miniature steam and dry iron, as shown.

DESCRIPTION

FIG. 1 is a perspective view of a miniature steam and dry iron showing my new design;  
 FIG. 2 is a right side elevational view thereof;  
 FIG. 3 is a left side elevational view thereof;  
 FIG. 4 is a front elevational view thereof;  
 FIG. 5 is a rear elevational view thereof;  
 FIG. 6 is a top plan view thereof; and  
 FIG. 7 is a bottom plan view thereof.



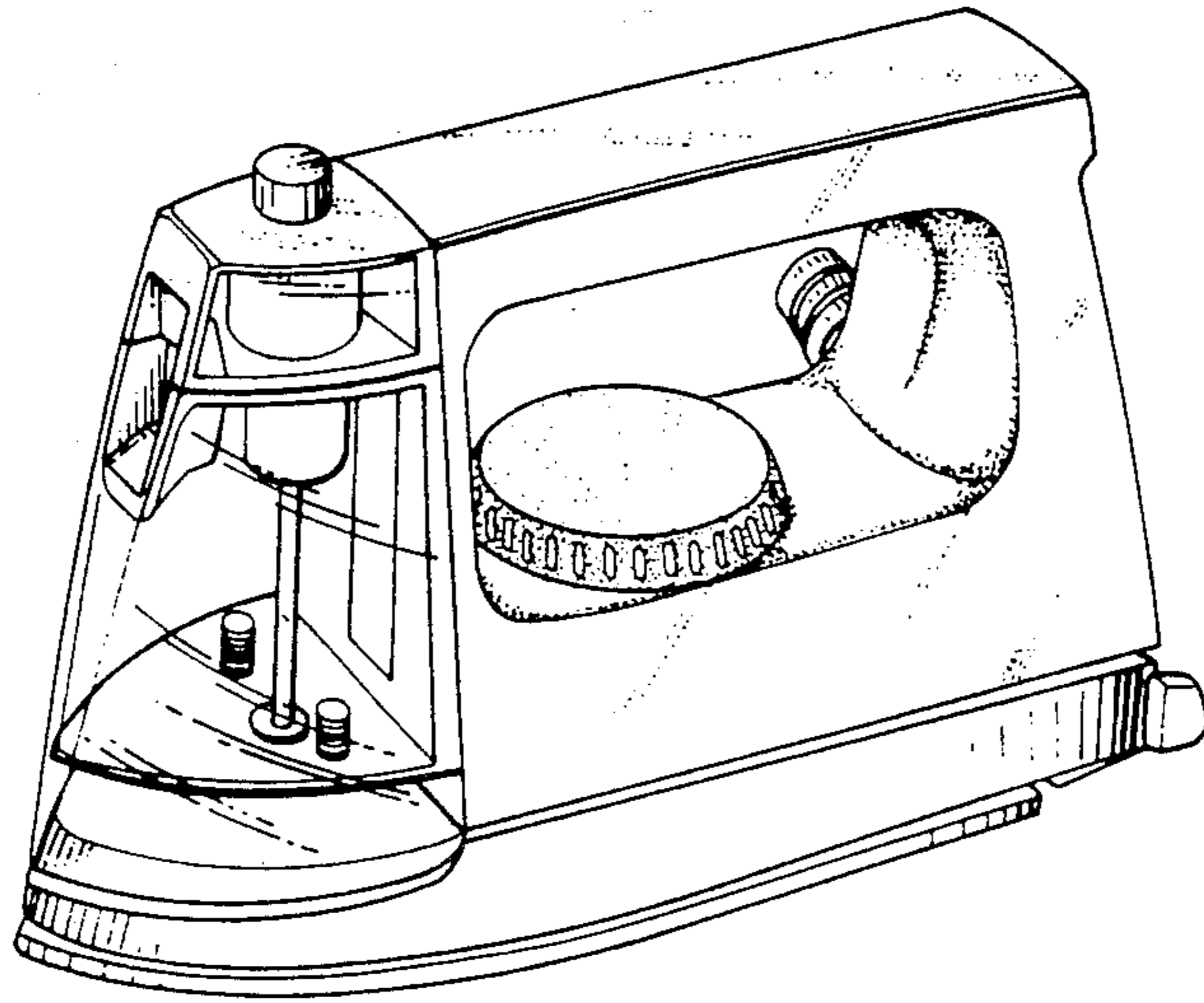


FIG. 1

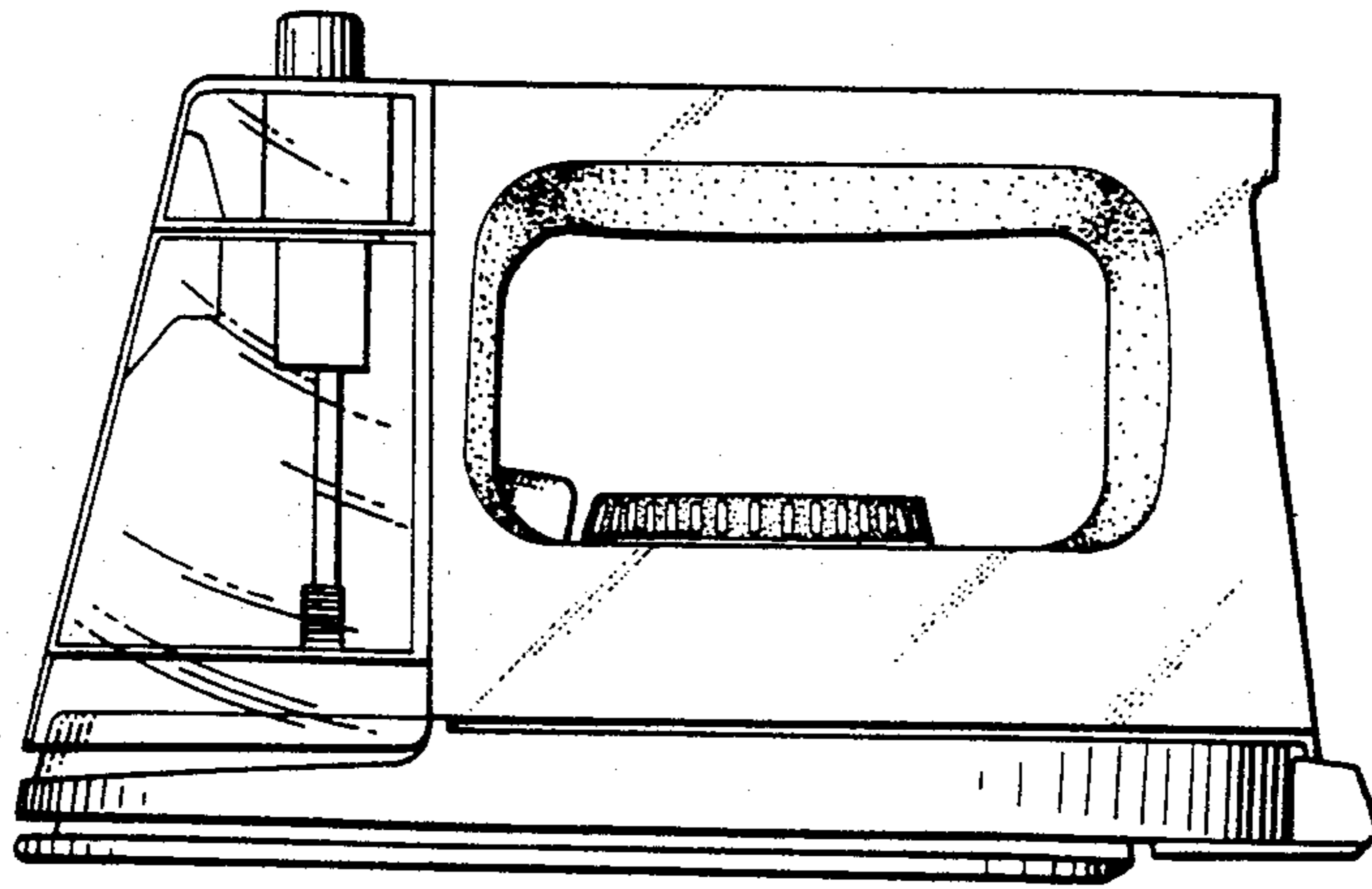


FIG. 2

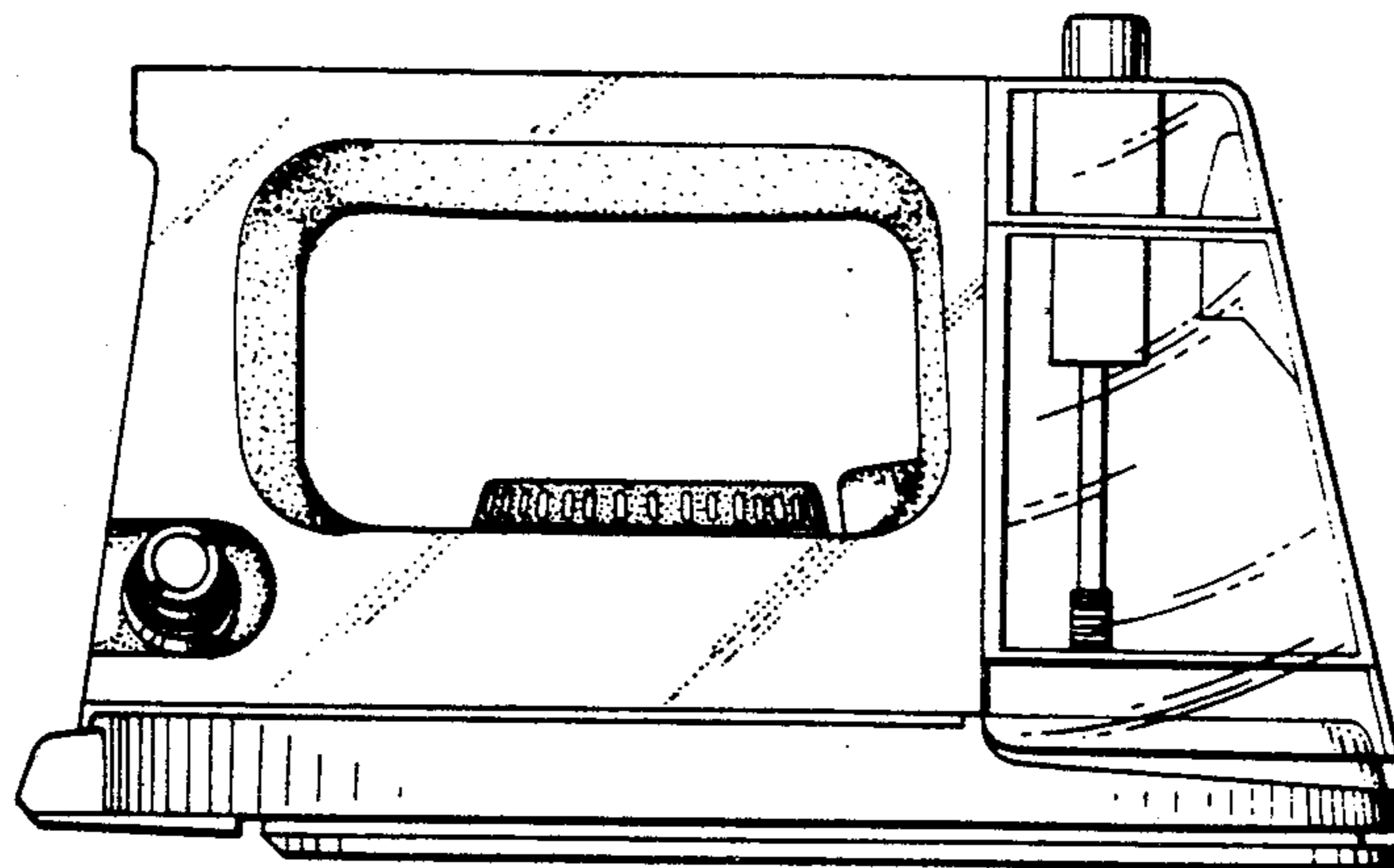


FIG. 3

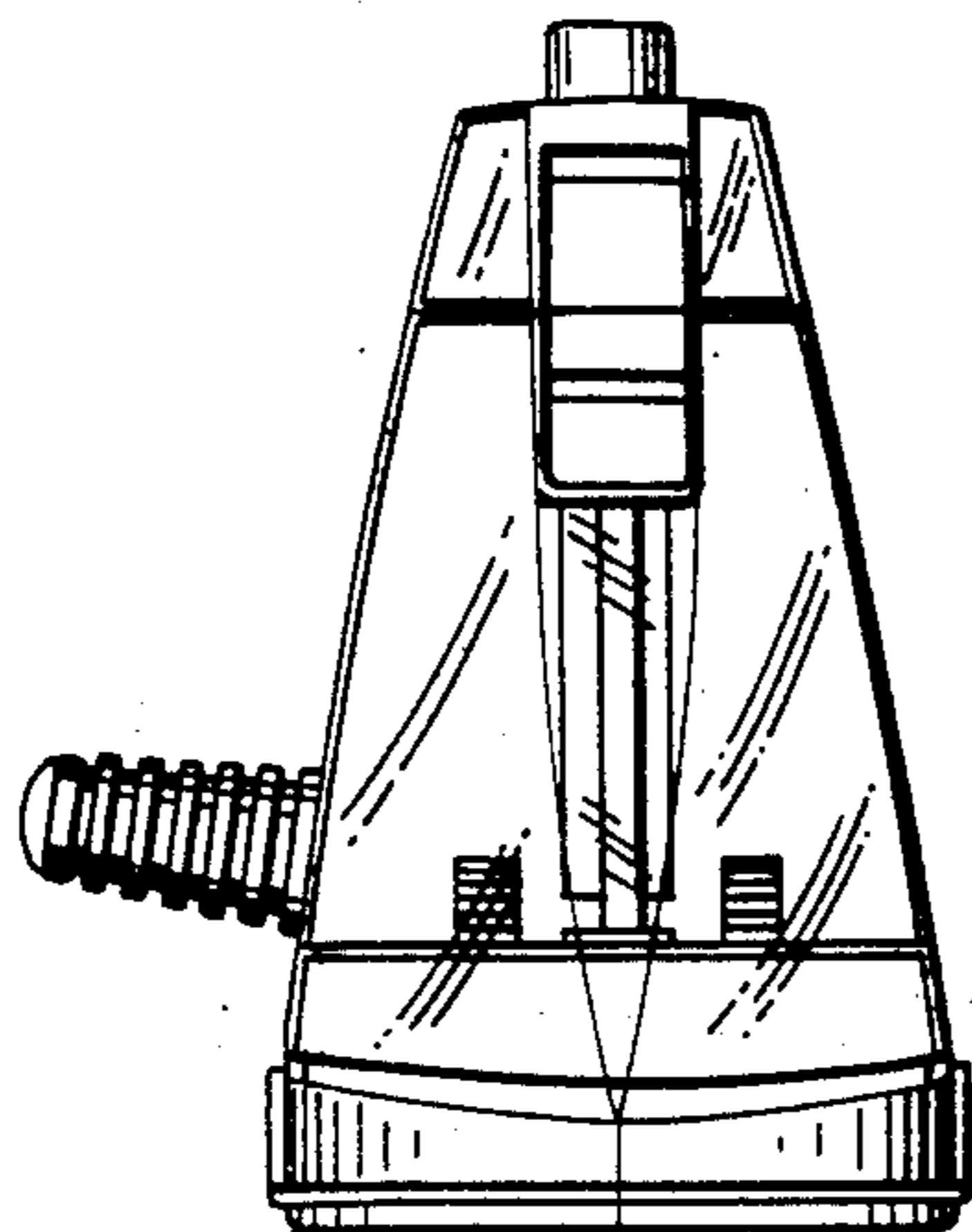


FIG. 4

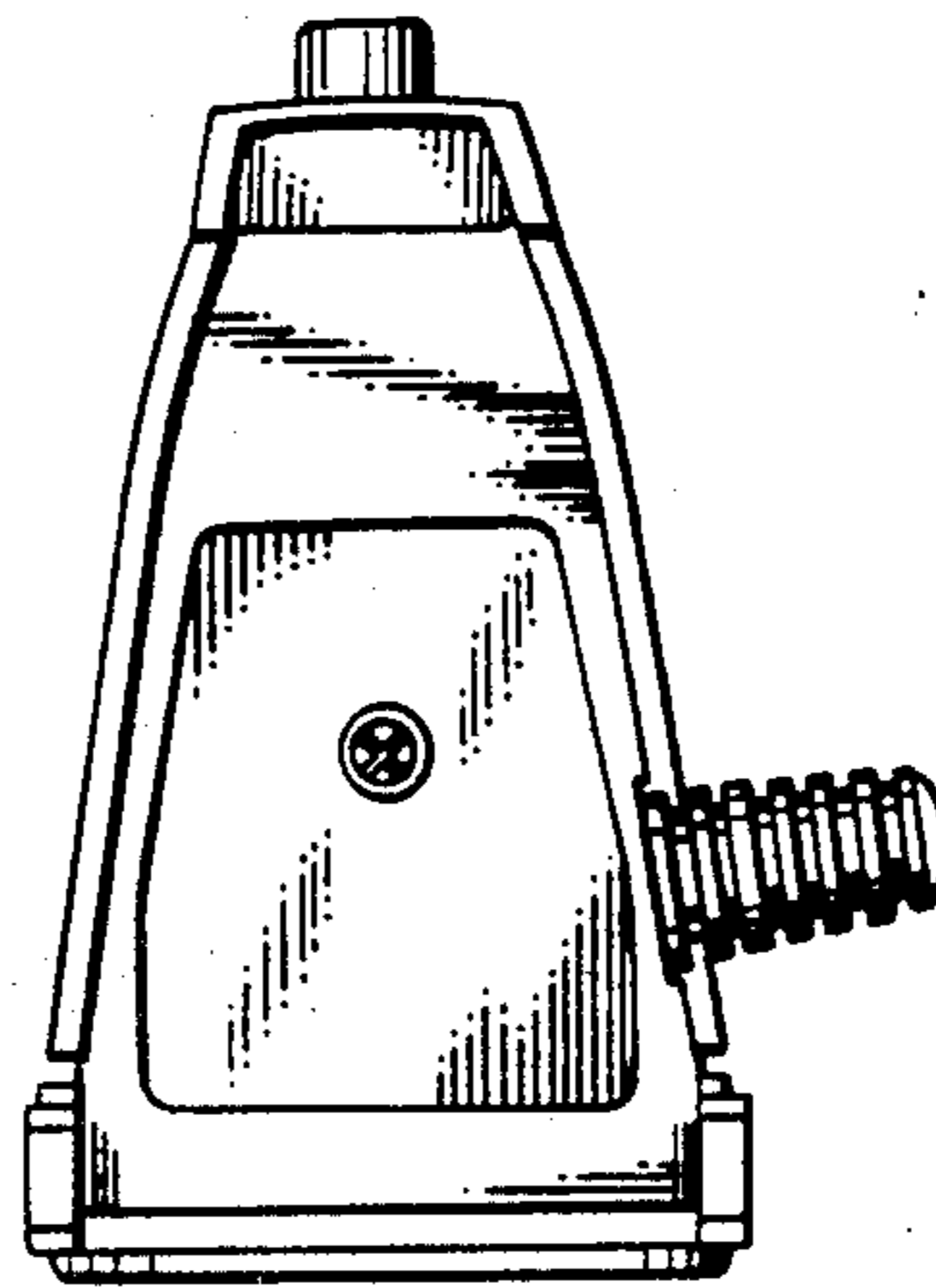


FIG. 5

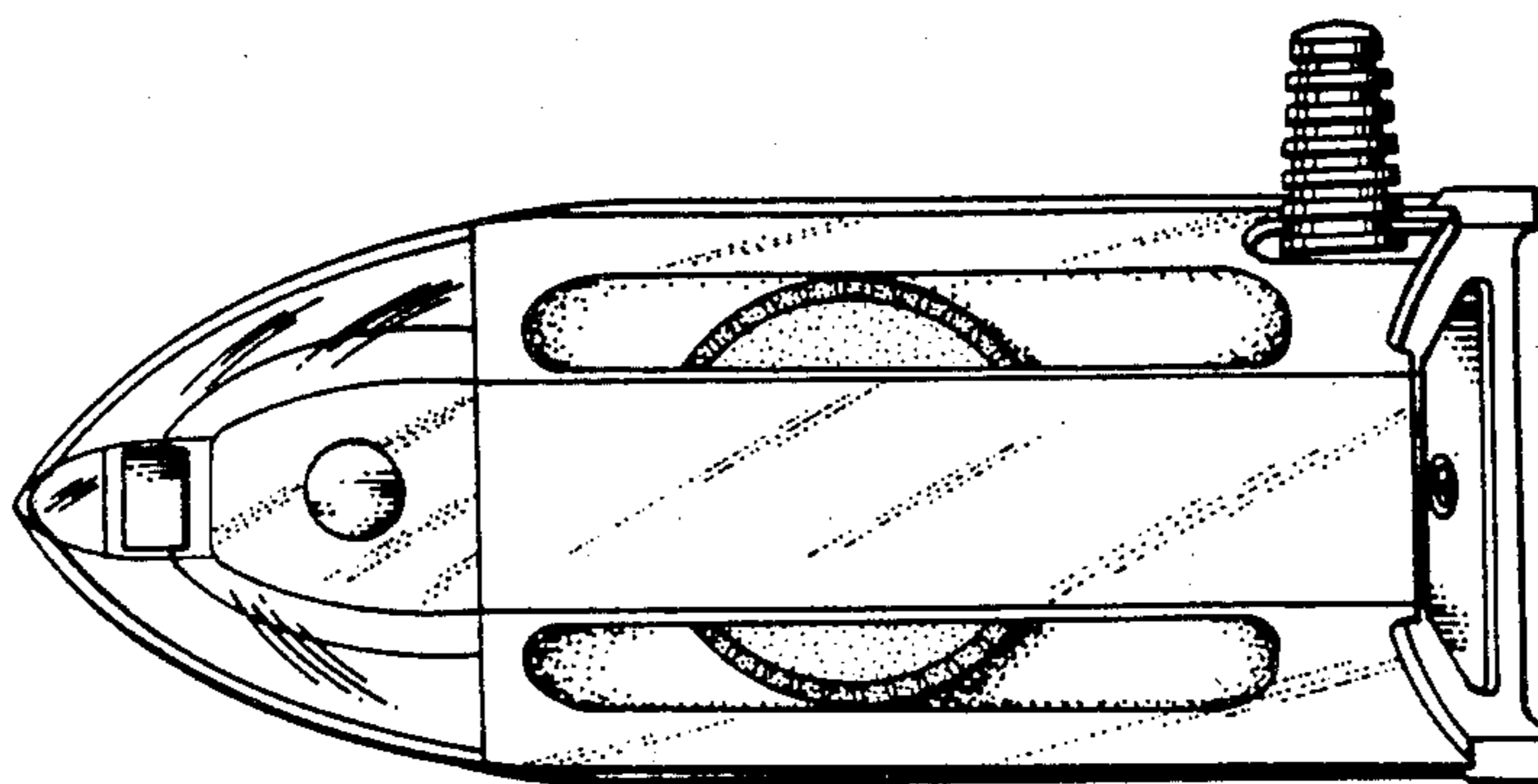


FIG. 6

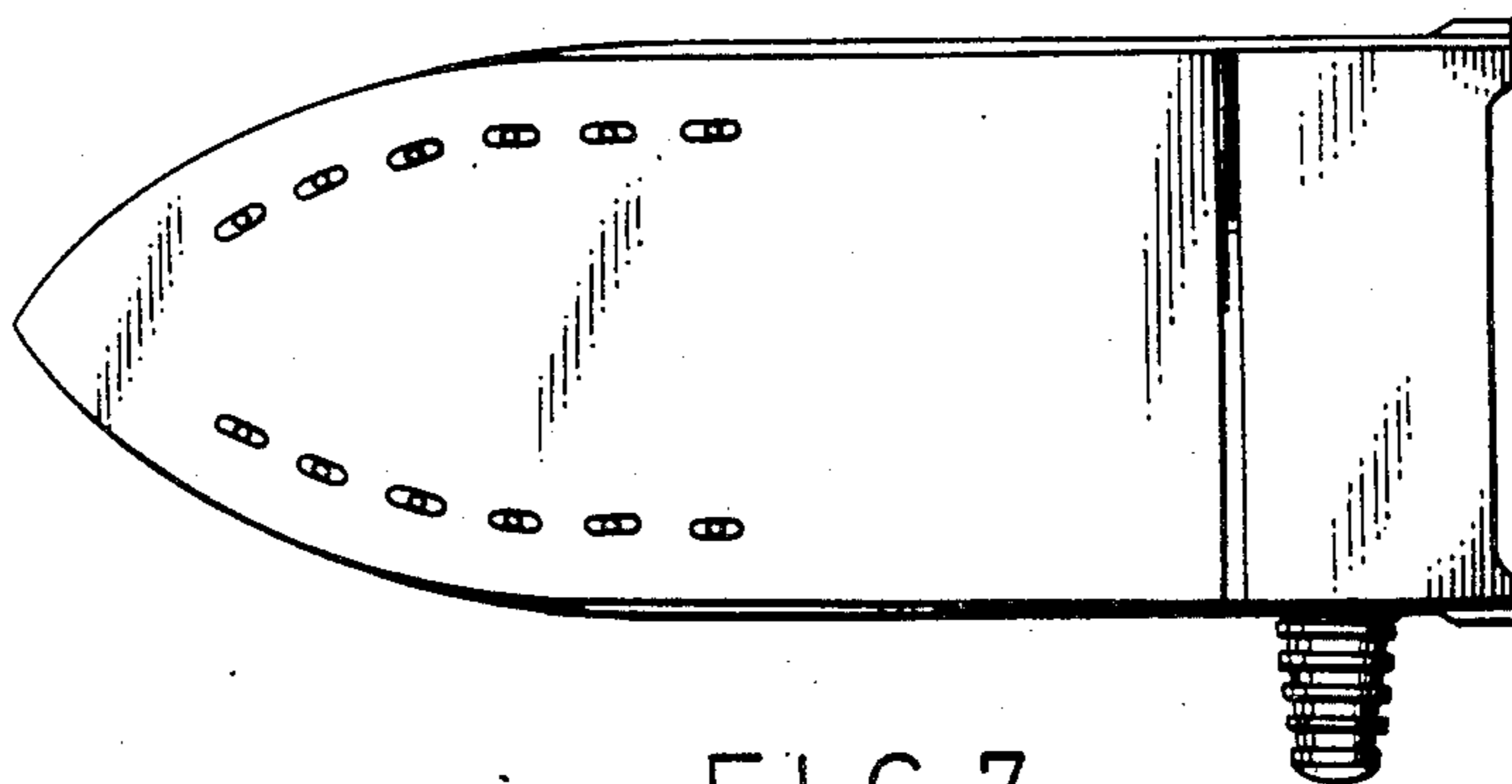


FIG. 7