

[54] COMBINED AUTOMOTIVE AIR PUMP, VACUUM CLEANER AND DISPENSING UNIT FOR ANTIFREEZE AND AIR FRESHENER

[76] Inventors: Don L. Waldrep, 1000 Woodcreek; H. Gene Ludwig, 508 E. Denton No. 53, both of Euless, Tex. 76039

[**] Term: 14 Years

[21] Appl. No.: 554,522

[22] Filed: Nov. 23, 1983

[52] U.S. Cl. D32/21

[58] Field of Search D32/4, 21, 23, 30, 33; 15/3, 300 R, 314, 347-348, 350, 327 D, 327 E, 327 R, 330, 337, 344

[56] References Cited

U.S. PATENT DOCUMENTS

242,482	11/1976	Fyffe	D32/23
4,194,262	3/1980	Finley et al.	15/314
4,202,070	5/1980	Harfst	15/314

OTHER PUBLICATIONS

Auto Laundry News, vol. 28, Sep. 1979, p. 60, Ryco vac.

Auto Laundry News, vol. 28, Nov. 1979, p. 19, Berk's Dome vacuum cleaners.

Primary Examiner—Wallace R. Burke

Assistant Examiner—Ruth E. Takemoto

Attorney, Agent, or Firm—James E. Bradley

[57] CLAIM

The ornamental design for a combined automotive air pump, vacuum cleaner and dispensing unit for antifreeze and air freshener, as shown.

DESCRIPTION

FIG. 1 is a front-elevation view of a combined automotive air pump, vacuum cleaner and dispensing unit for antifreeze and air freshener showing our new design;

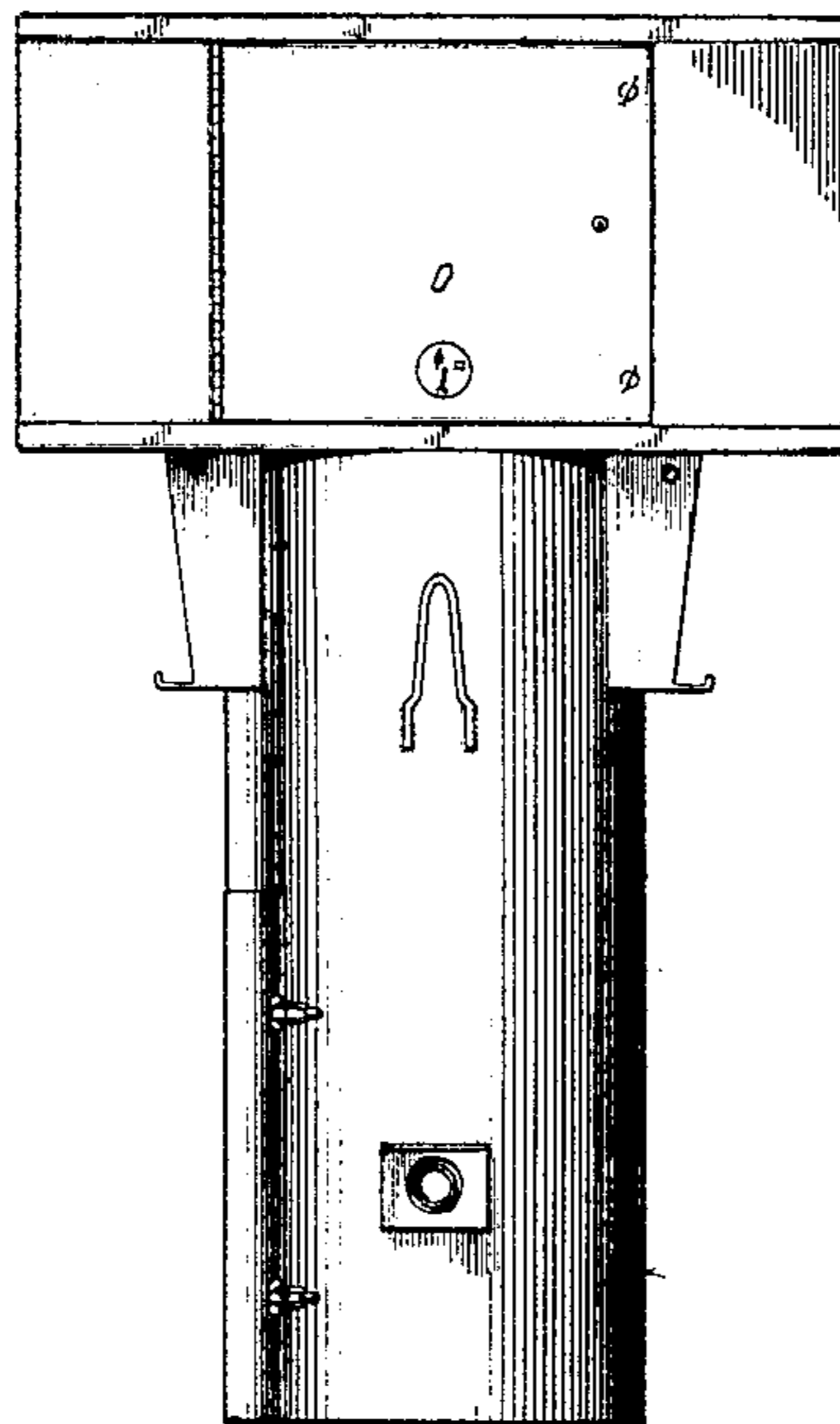
FIG. 2 is a right side elevational view thereof;

FIG. 3 is a bottom plan view thereof;

FIG. 4 is a rear elevational view thereof;

FIG. 5 is a left side elevational view thereof;

FIG. 6 is a top plan view thereof.



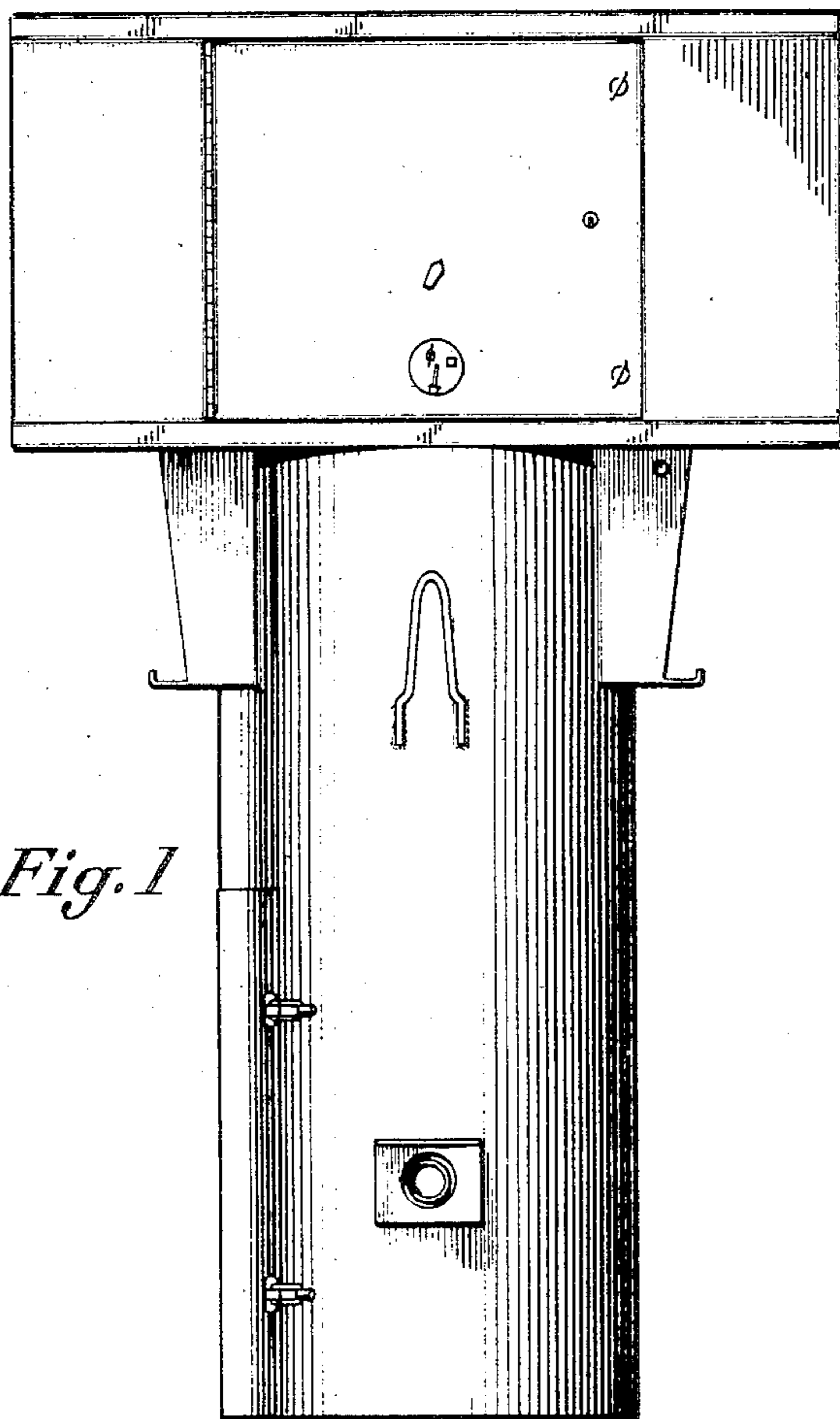


Fig. 1

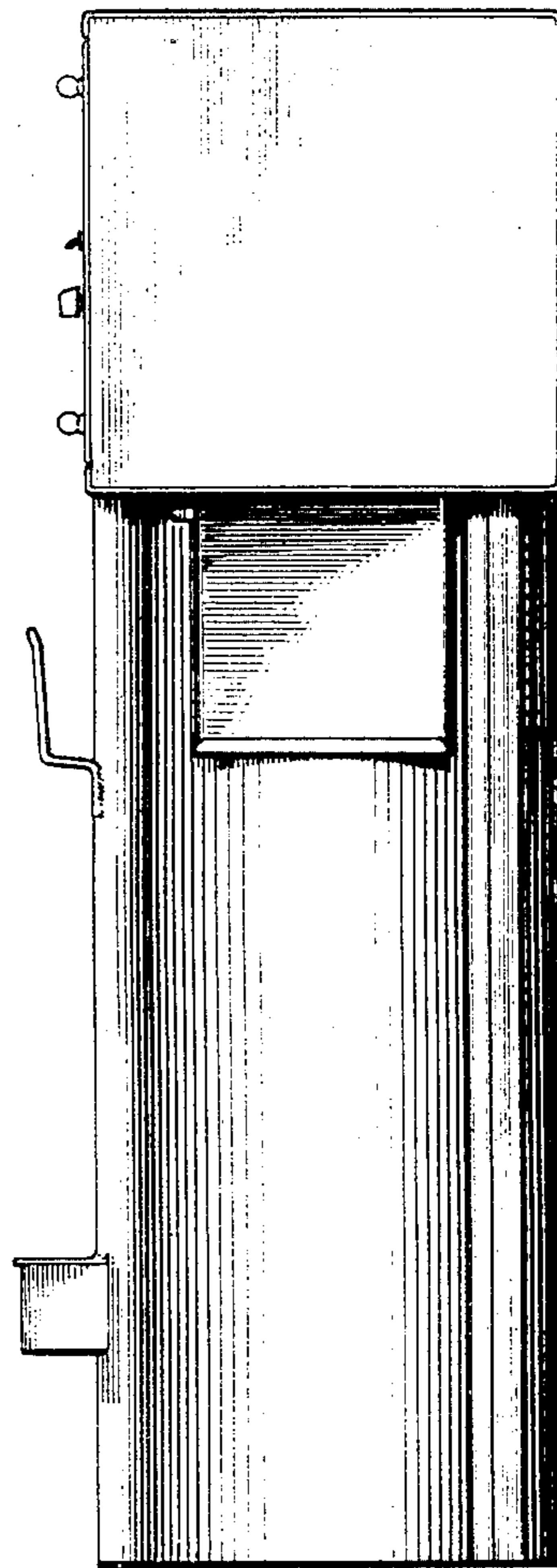


Fig. 2

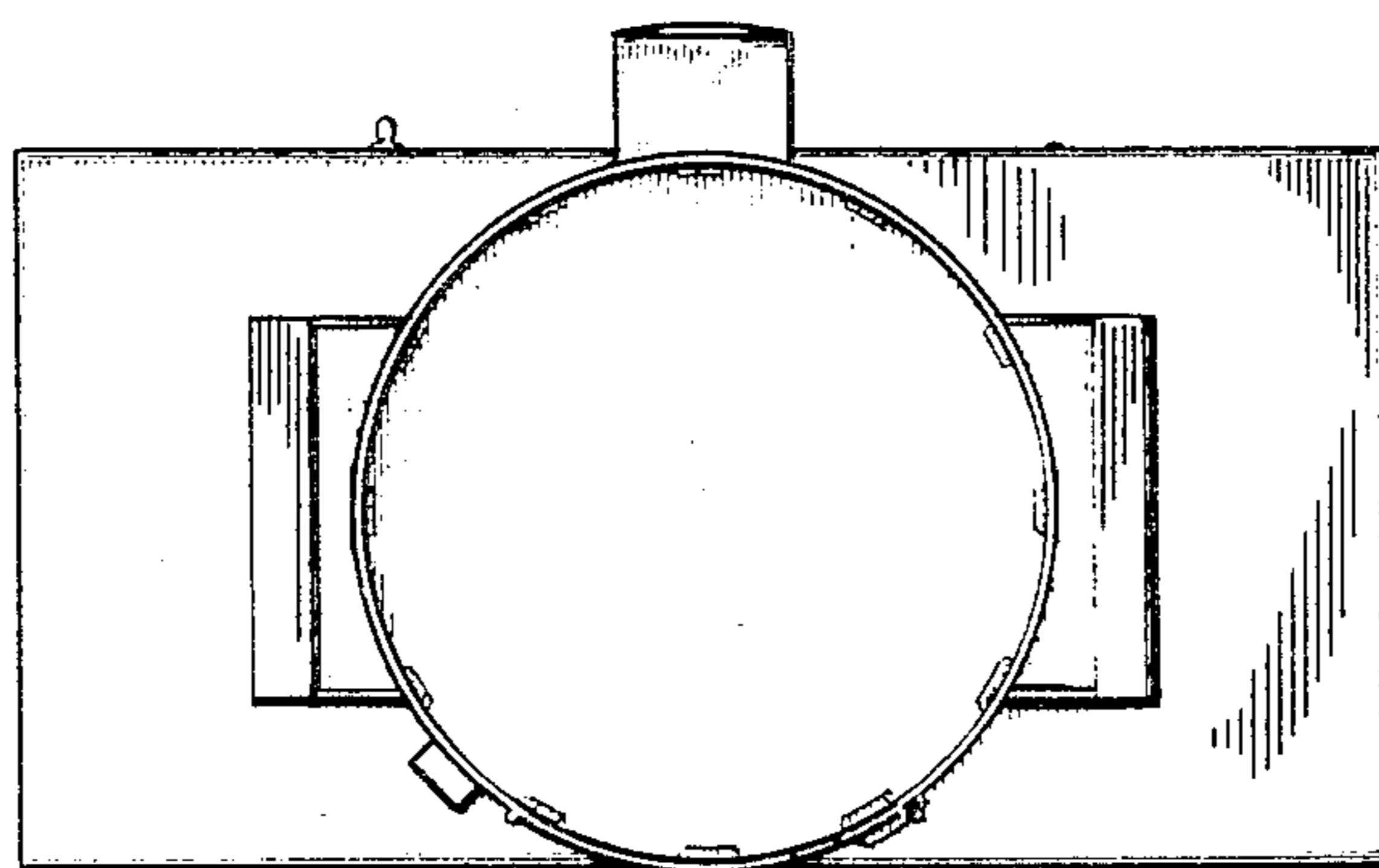


Fig. 3

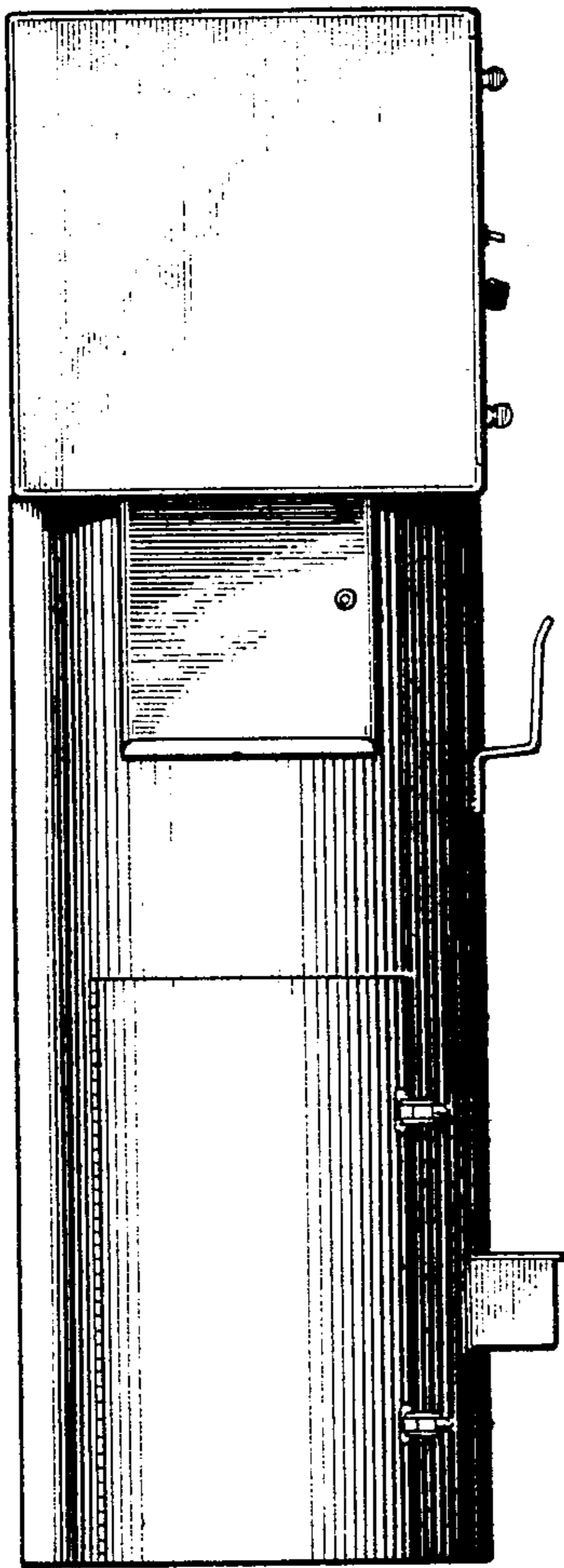


Fig. 5

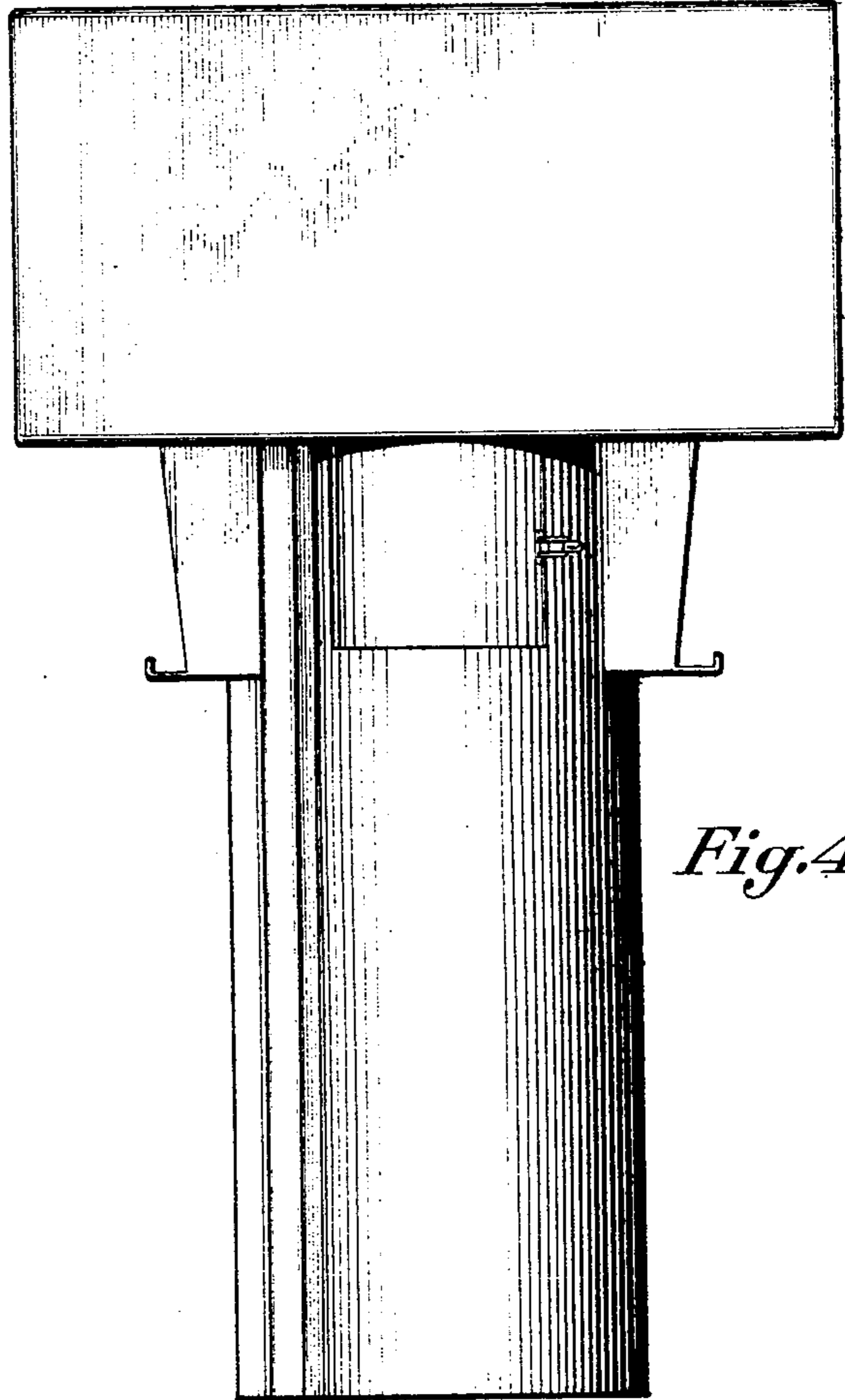


Fig. 4

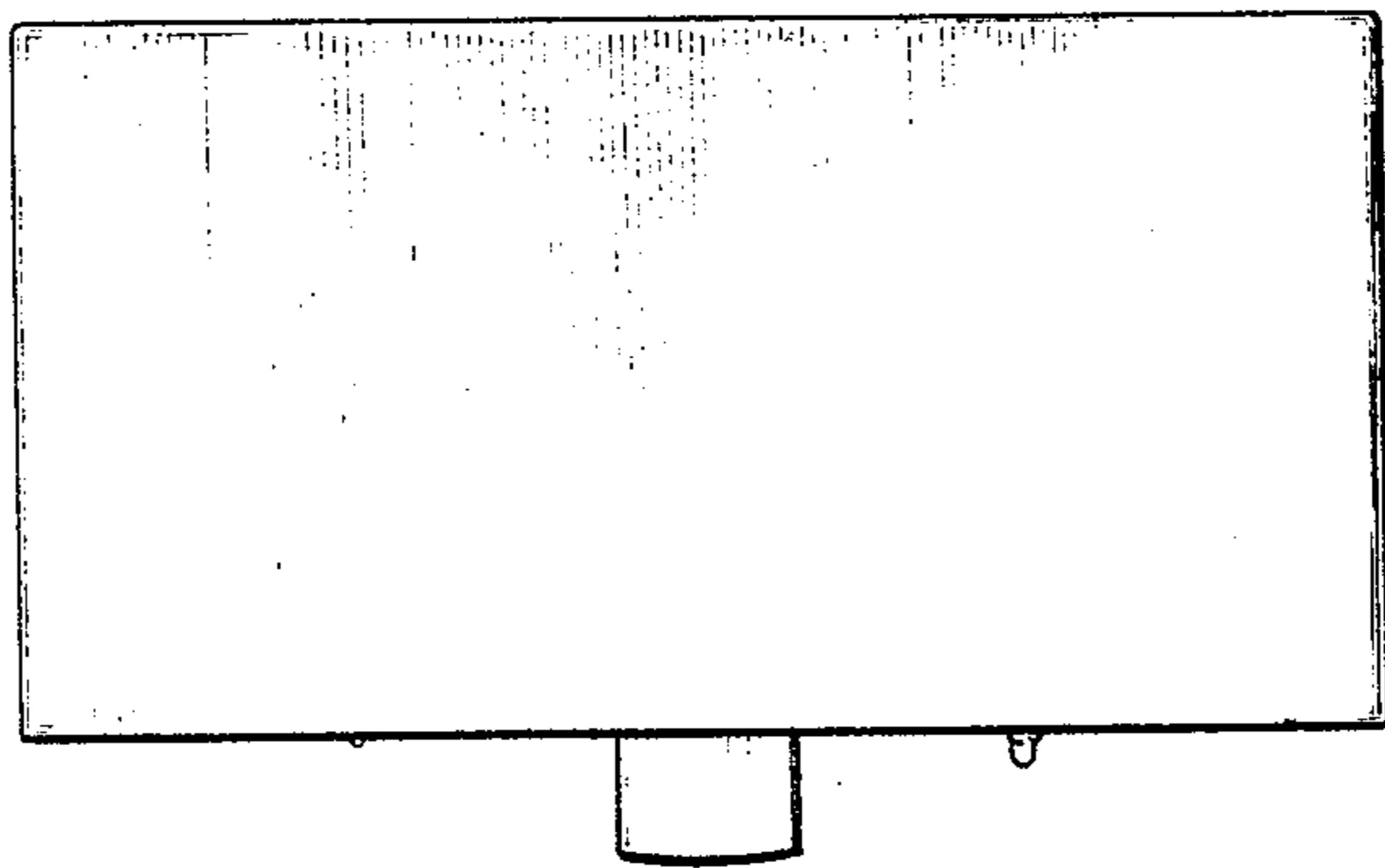


Fig. 6