

[54] CARPET DYEING MACHINE

[75] Inventor: Mark Schmitz, Dallas, Tex.

[73] Assignee: Schmitz Industries, Inc., Dallas, Tex.

[**] Term: 14 Years

[21] Appl. No.: 631,476

[22] Filed: Jul. 16, 1984

[52] U.S. Cl. D32/15

[58] Field of Search D32/1, 15-16, D32/499; 8/929, 930, 931; 68/200, 205 R; 15/320, 321, 322, 213-214; D13/1-3, 40; D10/46, 49, 104

[56] References Cited

U.S. PATENT DOCUMENTS

D. 274,851	7/1984	Schmitz	D32/15
D. 279,977	8/1985	Bonazelli	D13/2
3,562,844	2/1971	Thompson et al.	8/499
4,157,652	6/1979	Mathes et al.	68/205 R
4,218,900	8/1980	Caplan et al.	68/205 R
4,239,490	12/1980	Kelly et al.	8/929

Primary Examiner—Wallace R. Burke
Assistant Examiner—Ruth E. Takemoto
Attorney, Agent, or Firm—Stanley R. Moore

[57] CLAIM

The ornamental design for the carpet dyeing machine, as shown and described.

DESCRIPTION

FIG. 1 is a perspective view of the carpet dyeing machine constructed in accordance with the present invention and illustrating my new design;

FIG. 2 is a top plan view of the carpet dyeing machine of FIG. 1;

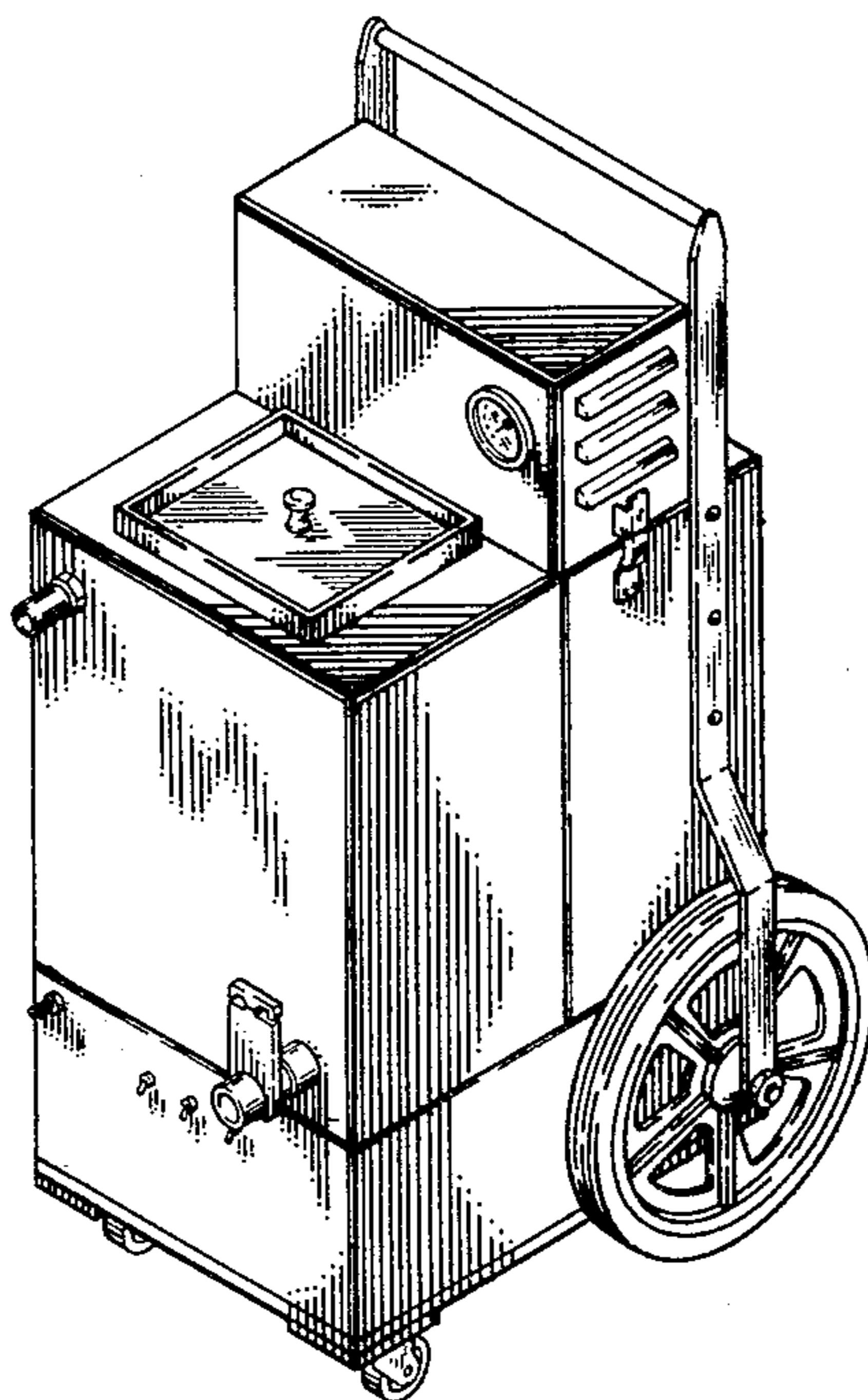
FIG. 3 is a bottom plan view of the carpet dyeing machine of FIG. 1;

FIG. 4 is a side elevational view of the carpet dyeing machine of FIG. 1, taken from the left side thereof;

FIG. 5 is a front elevational view of the carpet dyeing machine of FIG. 1;

FIG. 6 is a side elevational view of the carpet dyeing machine of FIG. 1 taken from the right side thereof; and

FIG. 7 is a rear elevational view of the carpet dyeing machine of FIG. 1.



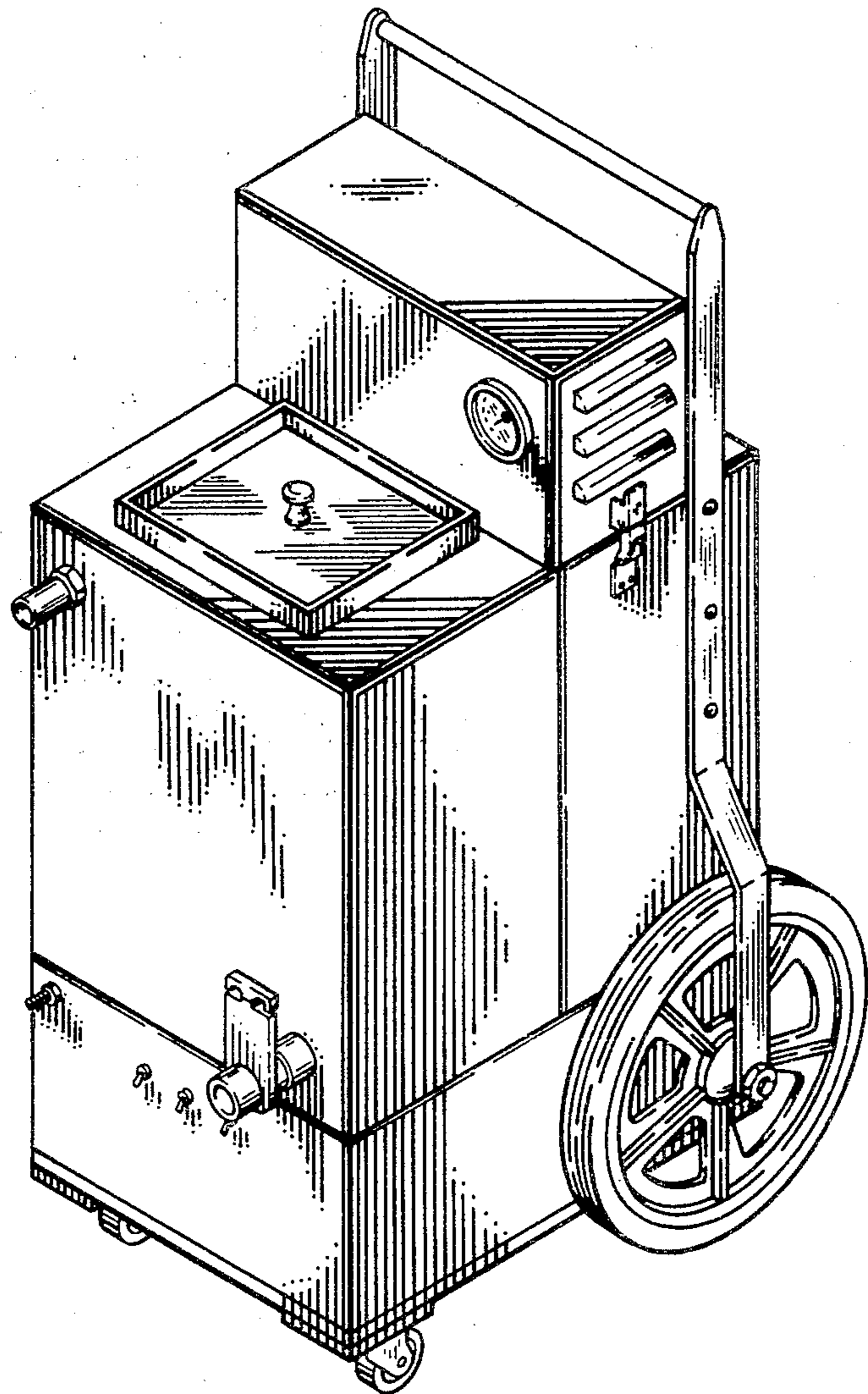


FIG. 1

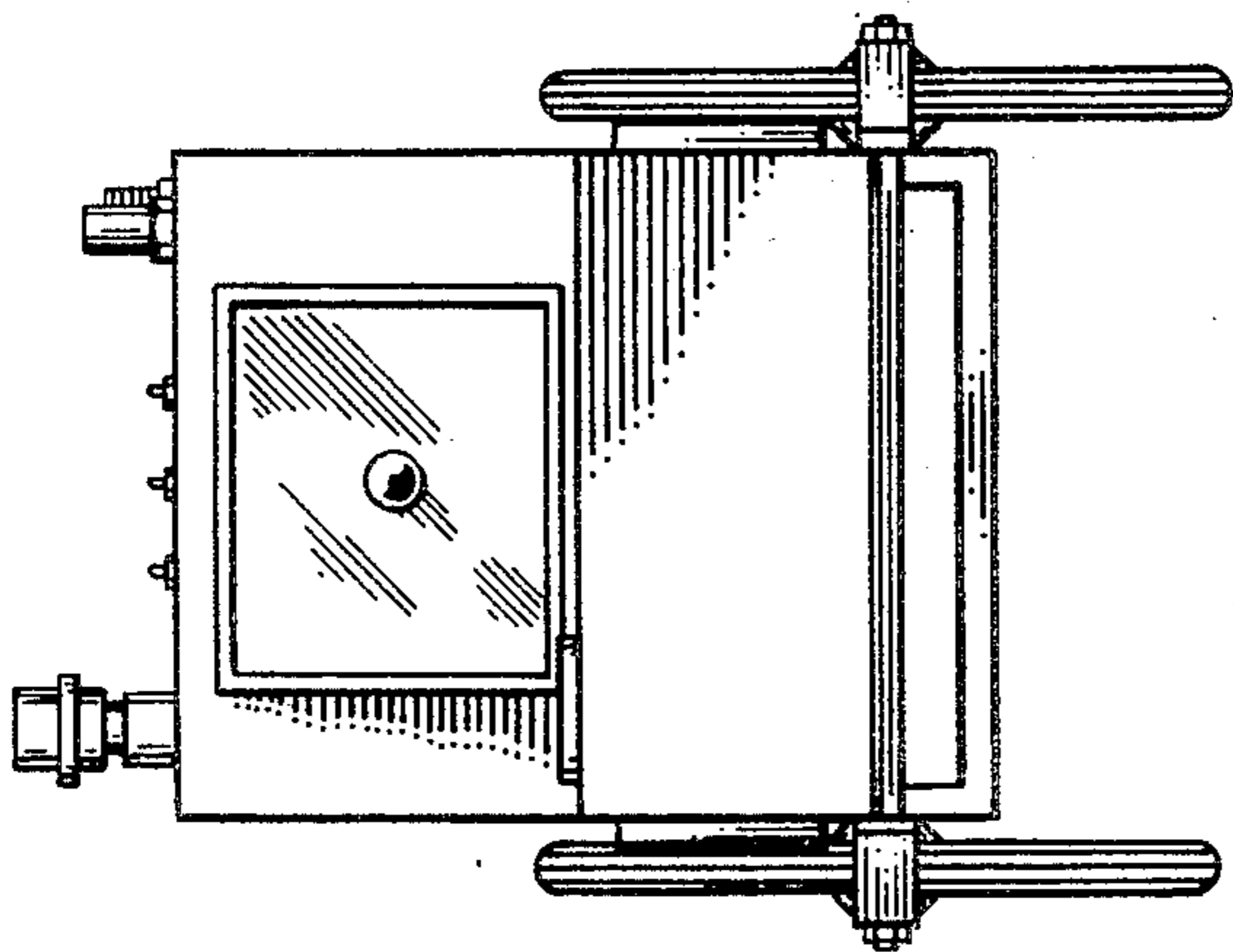


FIG. 2

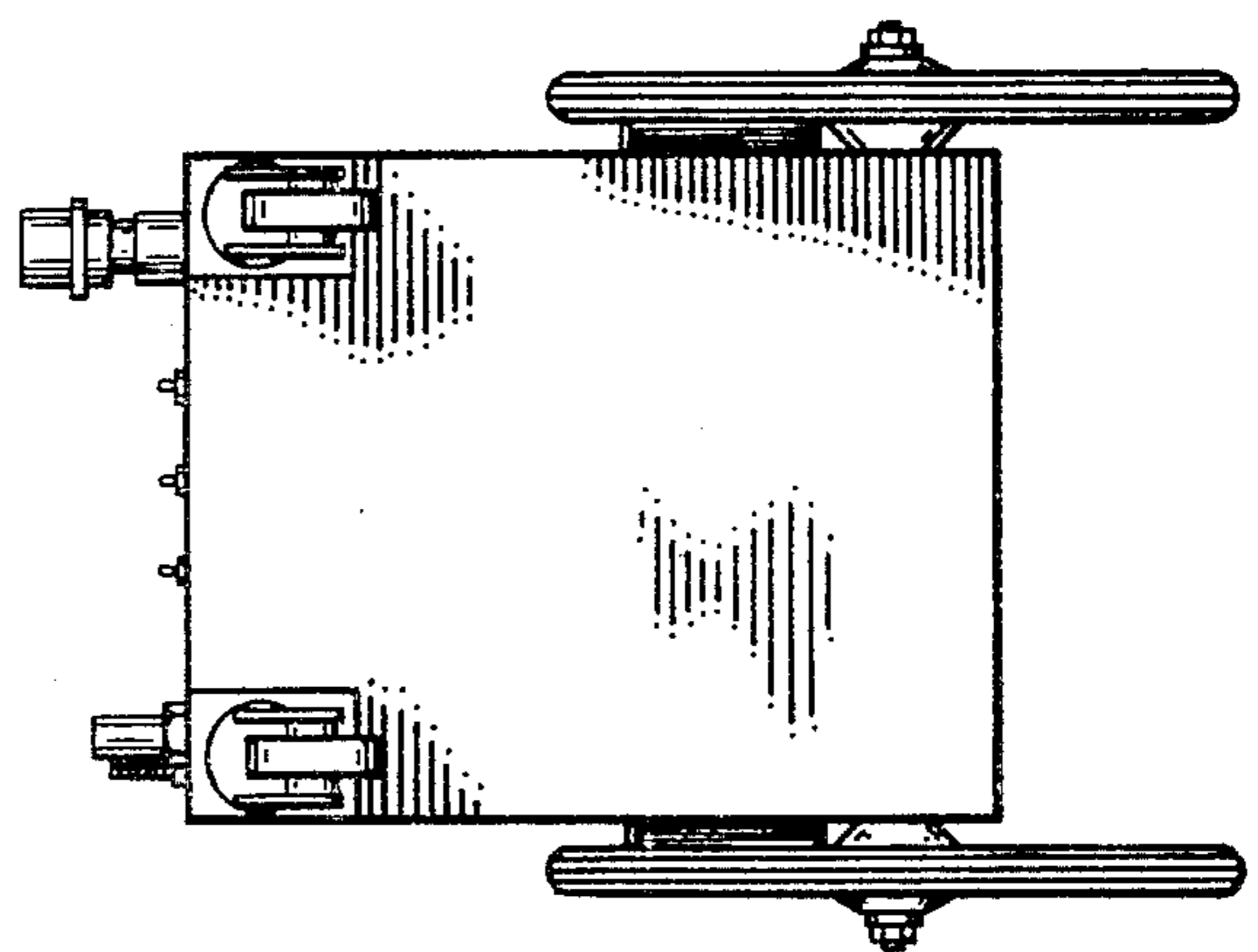


FIG. 3

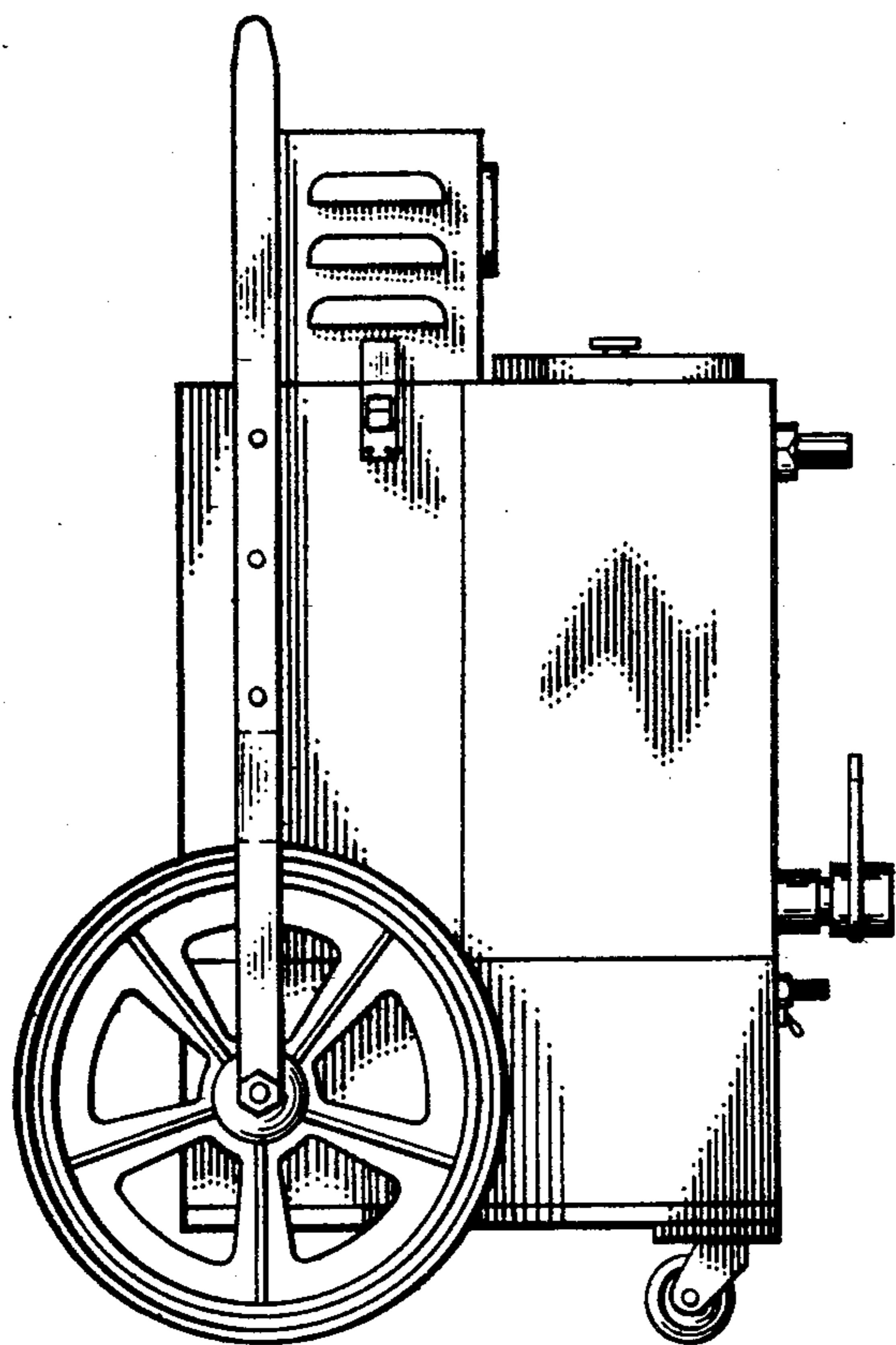


FIG. 4

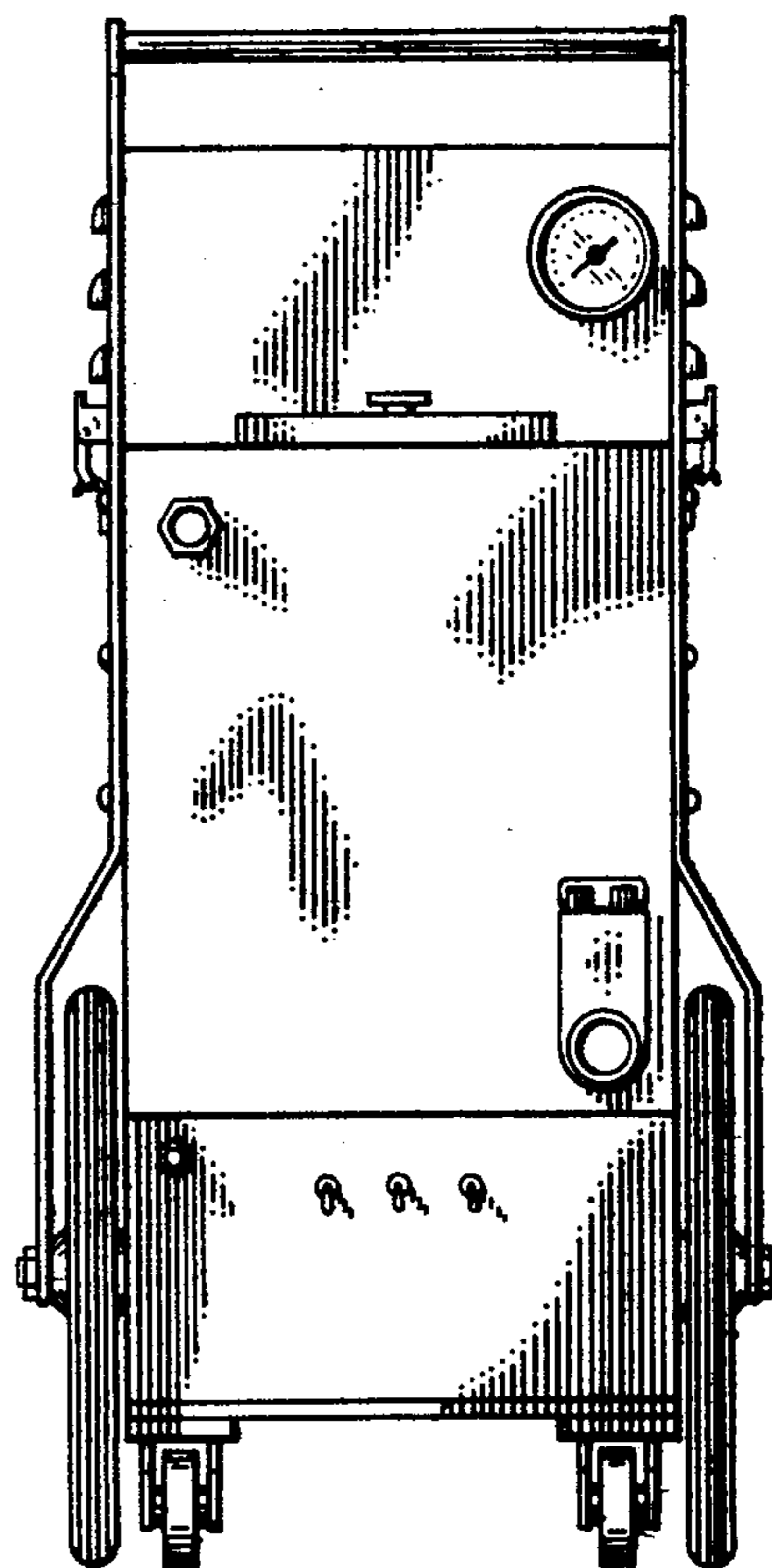


FIG. 5

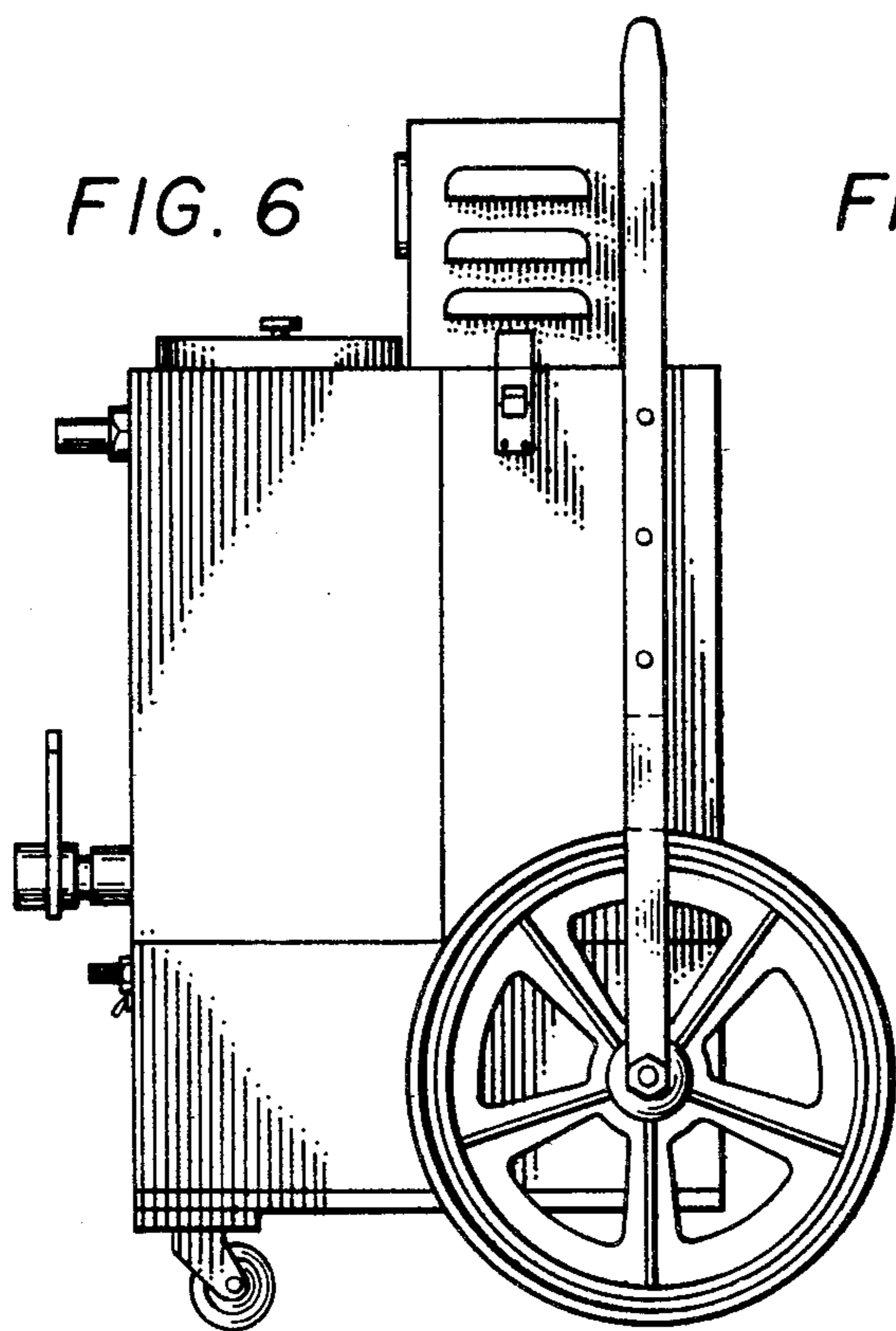


FIG. 6

FIG. 7

