

[54] SHIELD AND ATTRACTANT FOR HUMMINGBIRD FEEDER

[76] Inventor: John D. Mack, 14425 Dittmar Dr., Whittier, Calif. 90603

[**] Term: 14 Years

[21] Appl. No.: 569,333

[22] Filed: Jan. 9, 1984

[52] U.S. Cl. D30/14

[58] Field of Search D30/1-5, D30/13-18, 99, 33, 42; 119/59, 143

[56] References Cited

U.S. PATENT DOCUMENTS

3,049,093	8/1962	Oliver	D30/14 UX
3,185,133	5/1965	Bird	119/52 R X
4,328,765	5/1982	Kilham	119/51 R

Primary Examiner—Wallace R. Burke
Assistant Examiner—Brian N. Vinson
Attorney, Agent, or Firm—Edgar W. Averill, Jr.

[57] CLAIM

The ornamental design for a shield and attractant for a hummingbird feeder, as shown and described.

DESCRIPTION

FIG. 1 is a perspective view of a shield and attractant for a hummingbird feeder showing my new design, the broken-line showing of the feeder mechanism being for illustrative purposes only and forming no part of the claimed design;

FIG. 2 is a front elevation thereof;

FIG. 3 is a left side elevation thereof;

FIG. 4 is a top plan view thereof, the bottom being identical in appearance;

FIG. 5 is a rear elevation thereof; and

FIG. 6 is a right side elevation thereof.

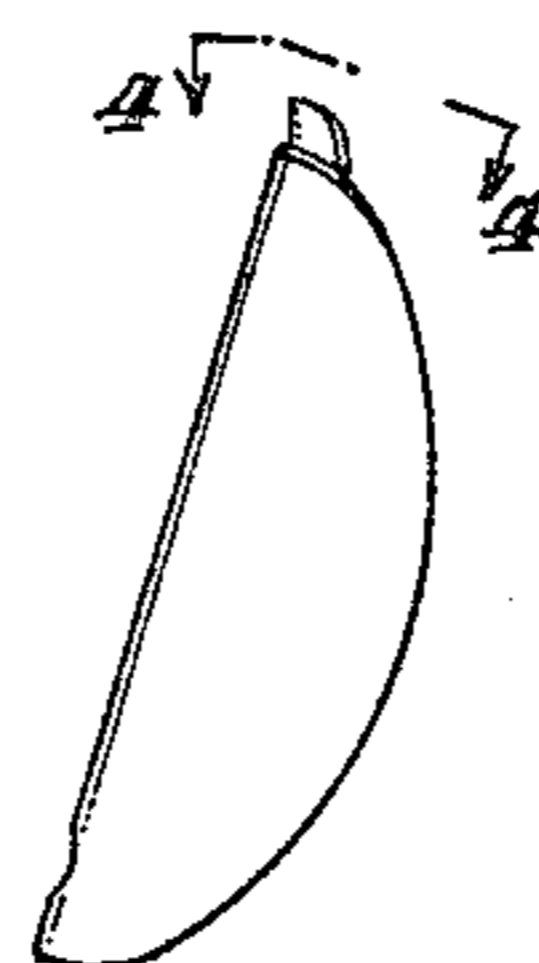
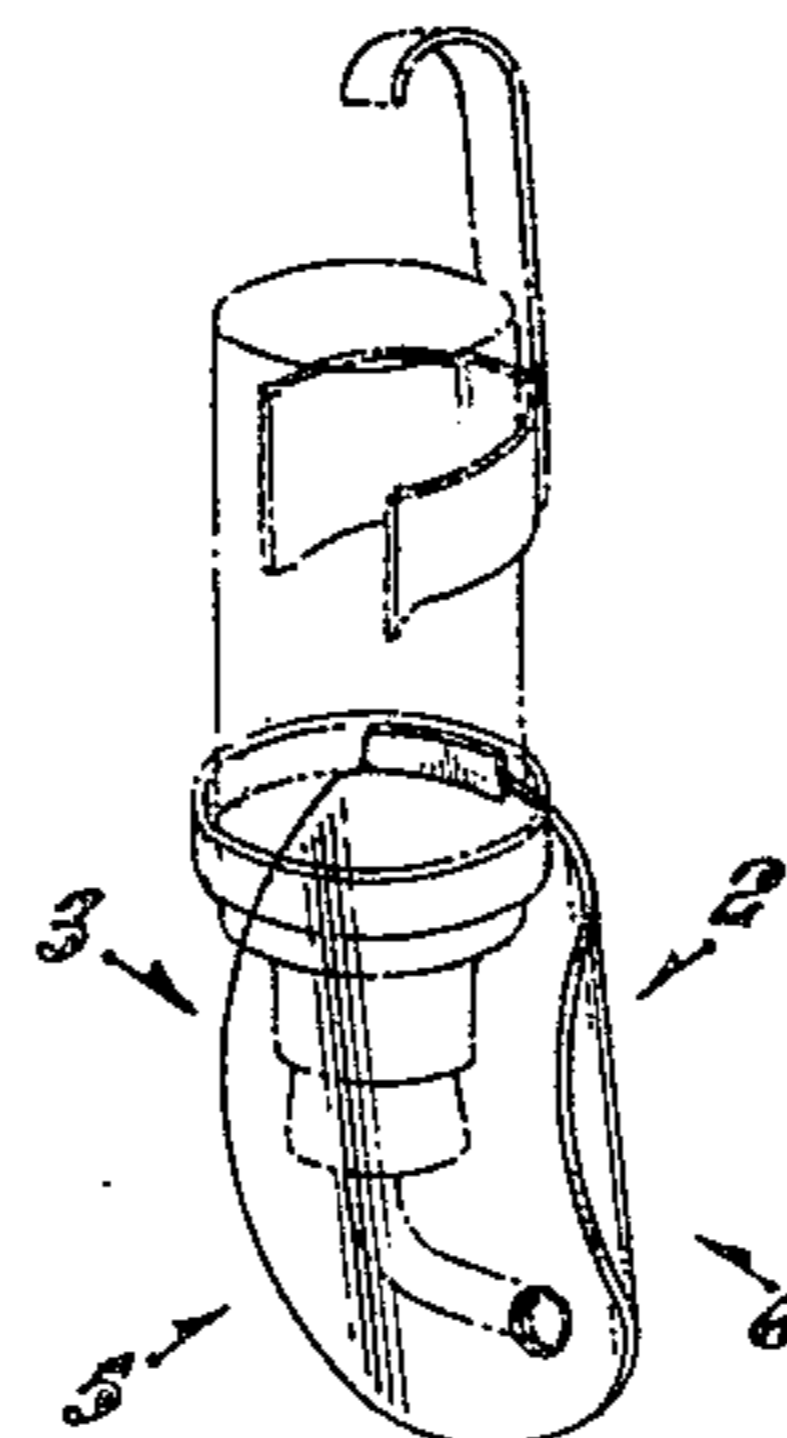


FIG. 1.

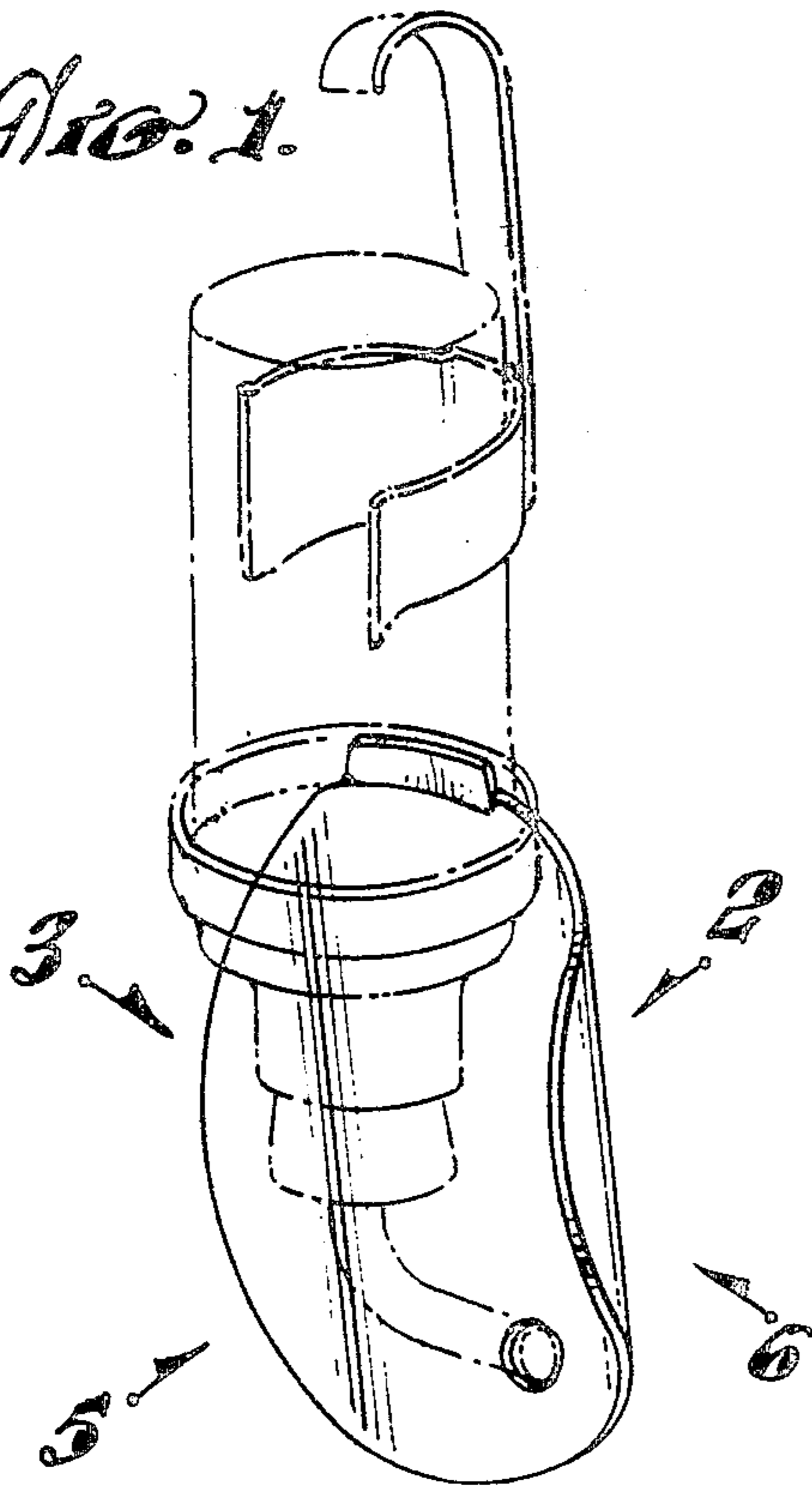


FIG. 4.

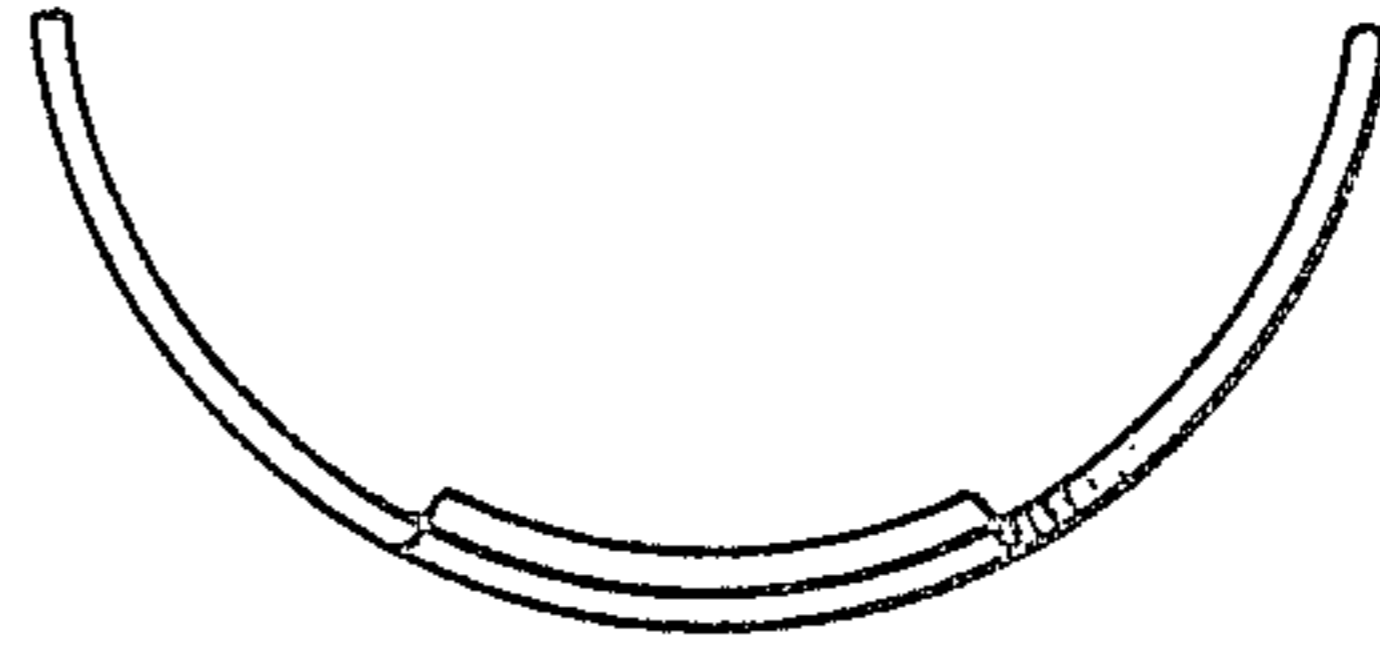


FIG. 2.

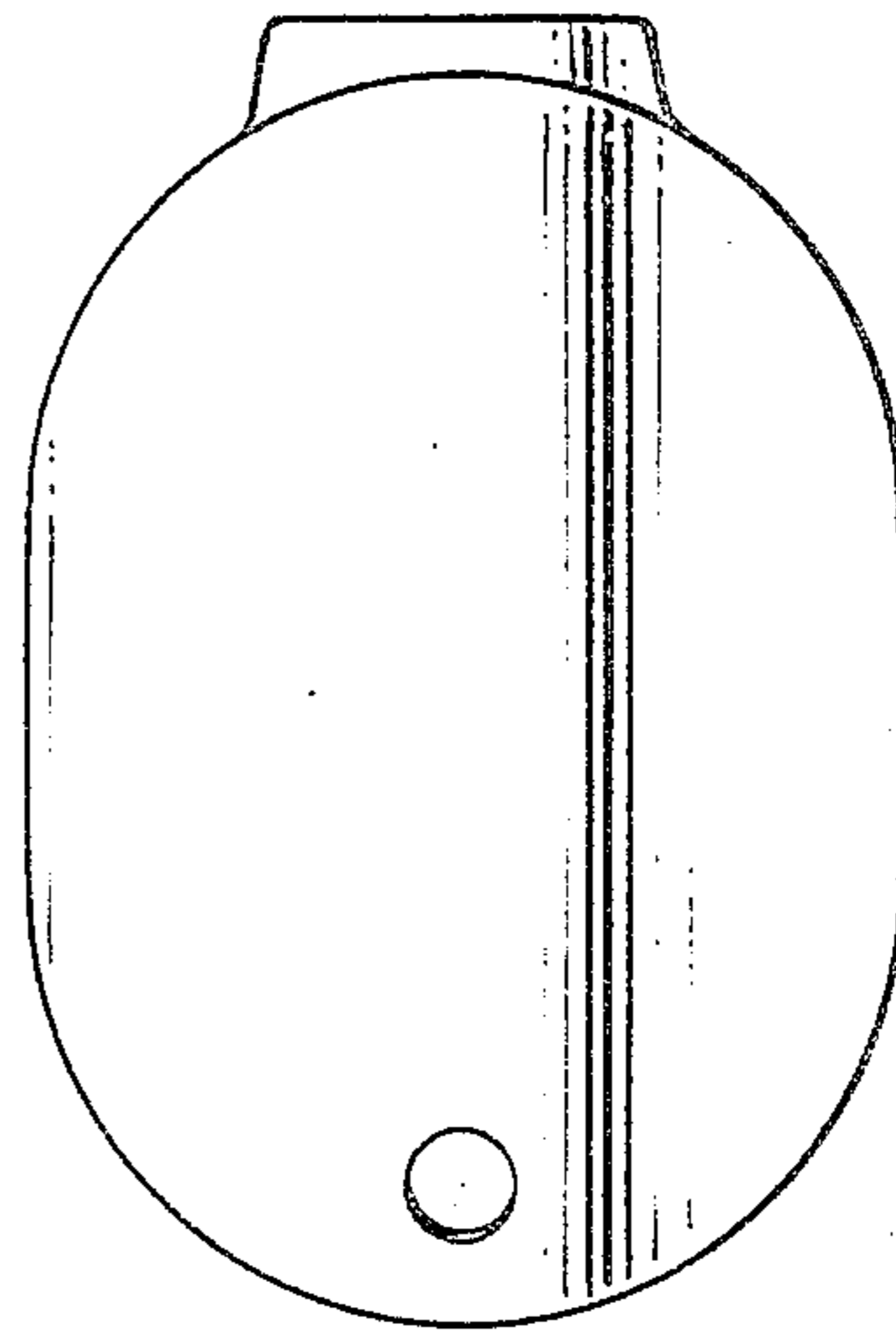


FIG. 3.

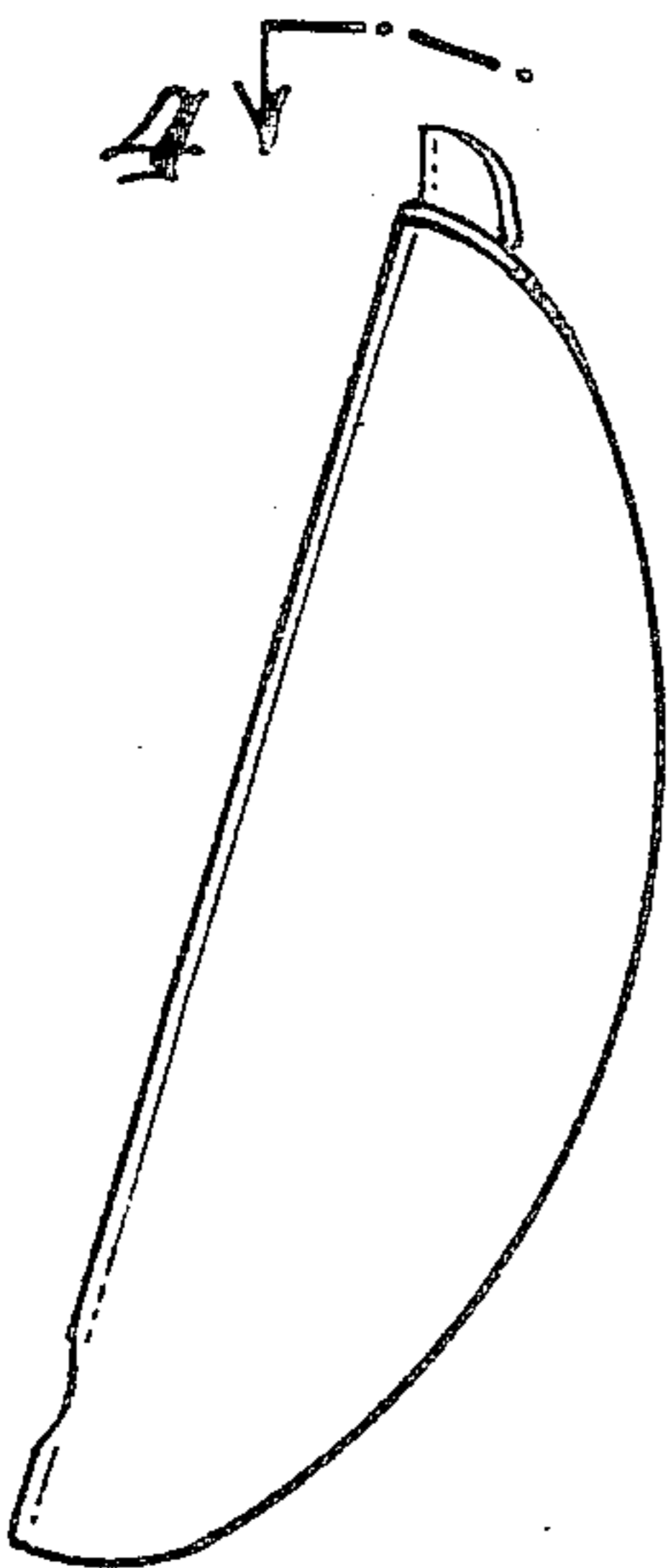


FIG. 5.

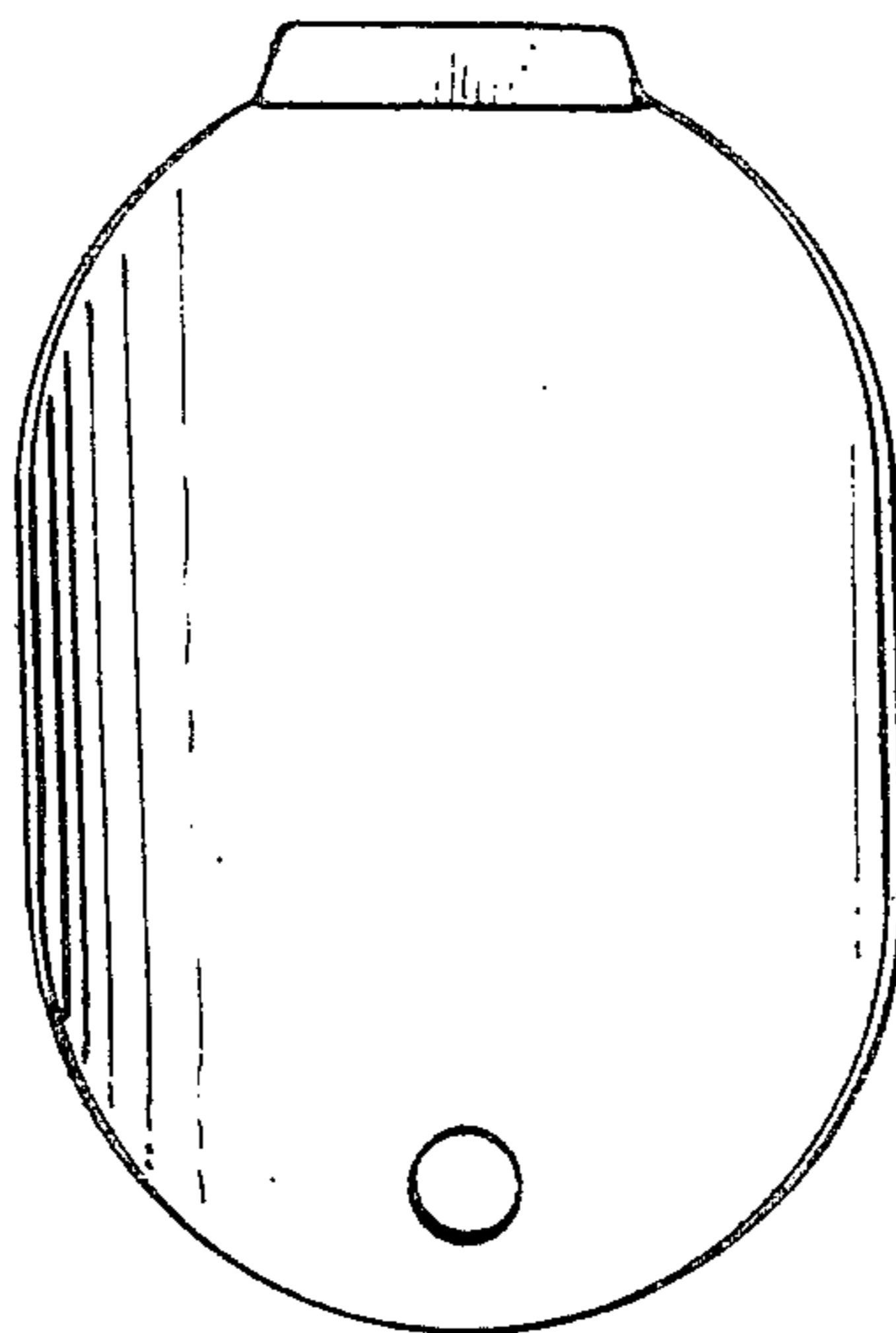


FIG. 6.

