

[54] ANIMAL FEEDER

[76] Inventor: John H. Scott, 5050 Maple Ave., St. Louis, Mo. 63113

[\*\*] Term: 14 Years

[21] Appl. No.: 673,598

[22] Filed: Nov. 21, 1984

[52] U.S. Cl. .... D30/13

[58] Field of Search ..... D30/13-18; 110/51 R, 51 FS, 52 R, 53, 58, 59, 60, 61, 63

[56] References Cited

U.S. PATENT DOCUMENTS

1,005,071	10/1911	Random	.....	D30/13 X
1,254,193	1/1918	Beach et al.	.....	119/51.5
1,372,371	3/1921	Ross	.....	119/51.5
1,391,824	9/1921	Foster	.....	119/51.5

3,811,412 5/1974 Murto et al. .... D30/13 X

Primary Examiner—Wallace R. Burke  
Assistant Examiner—Brian N. Vinson  
Attorney, Agent, or Firm—Kalish & Gilster

[57] CLAIM

The ornamental design for an animal feeder, as shown and described.

DESCRIPTION

FIG. 1 is a left side elevation of an animal feeder showing my new design, the right side being identical in appearance;

FIG. 2 is a front elevation thereof;

FIG. 3 is a rear elevation thereof;

FIG. 4 is a bottom plan view thereof;

FIG. 5 is a top plan view thereof; and

FIG. 6 is a top perspective view thereof.

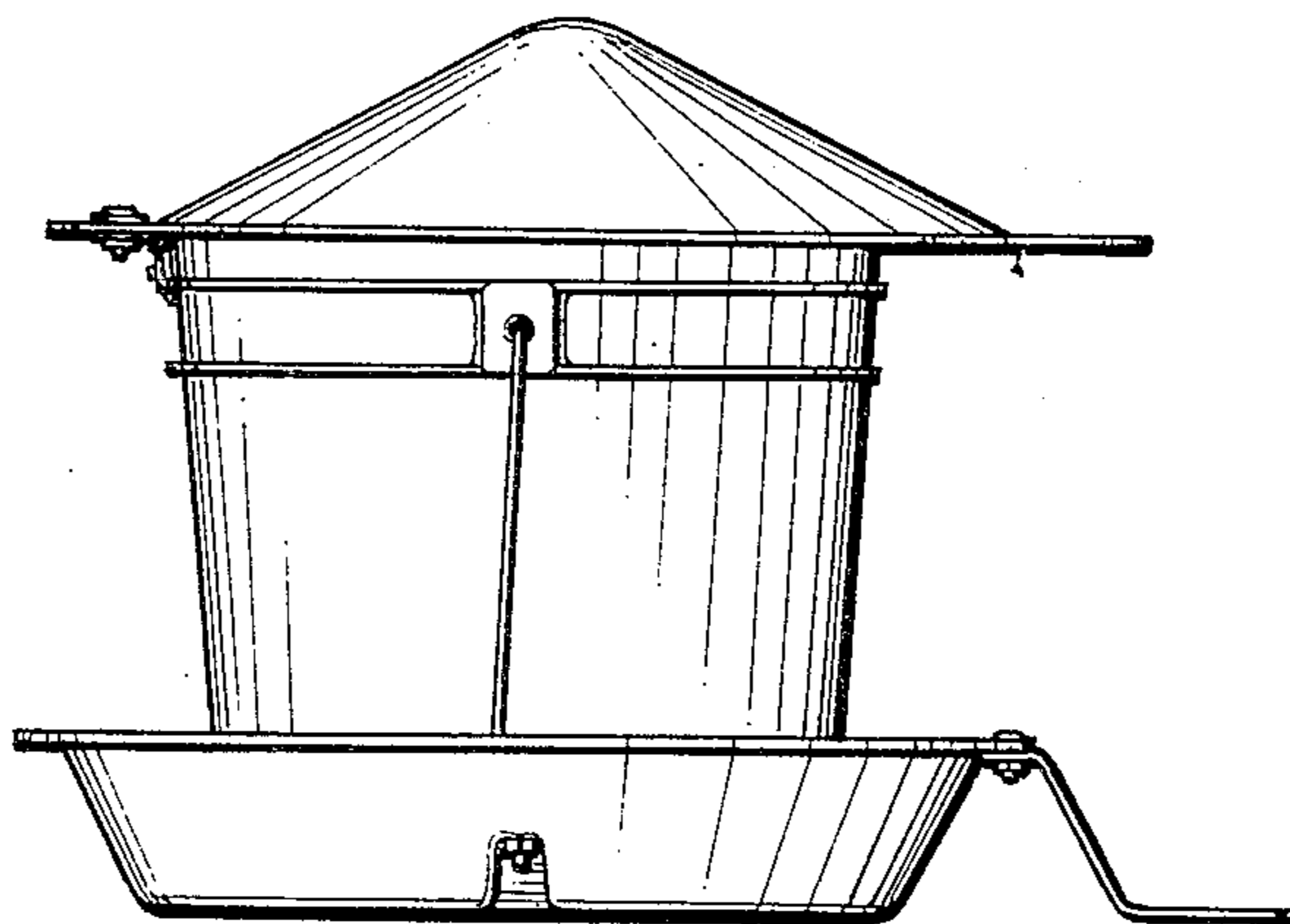


FIG. 1

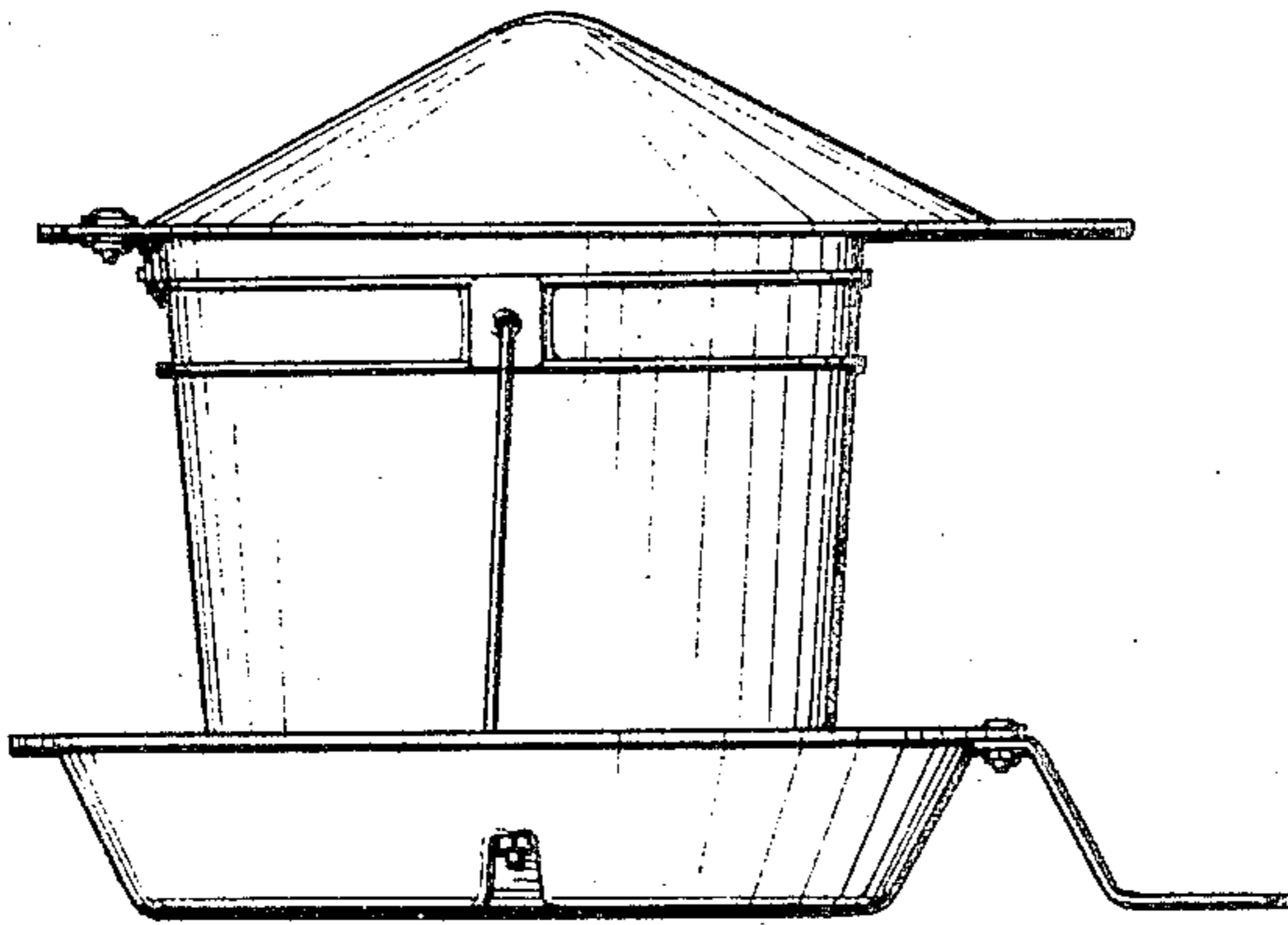


FIG. 2

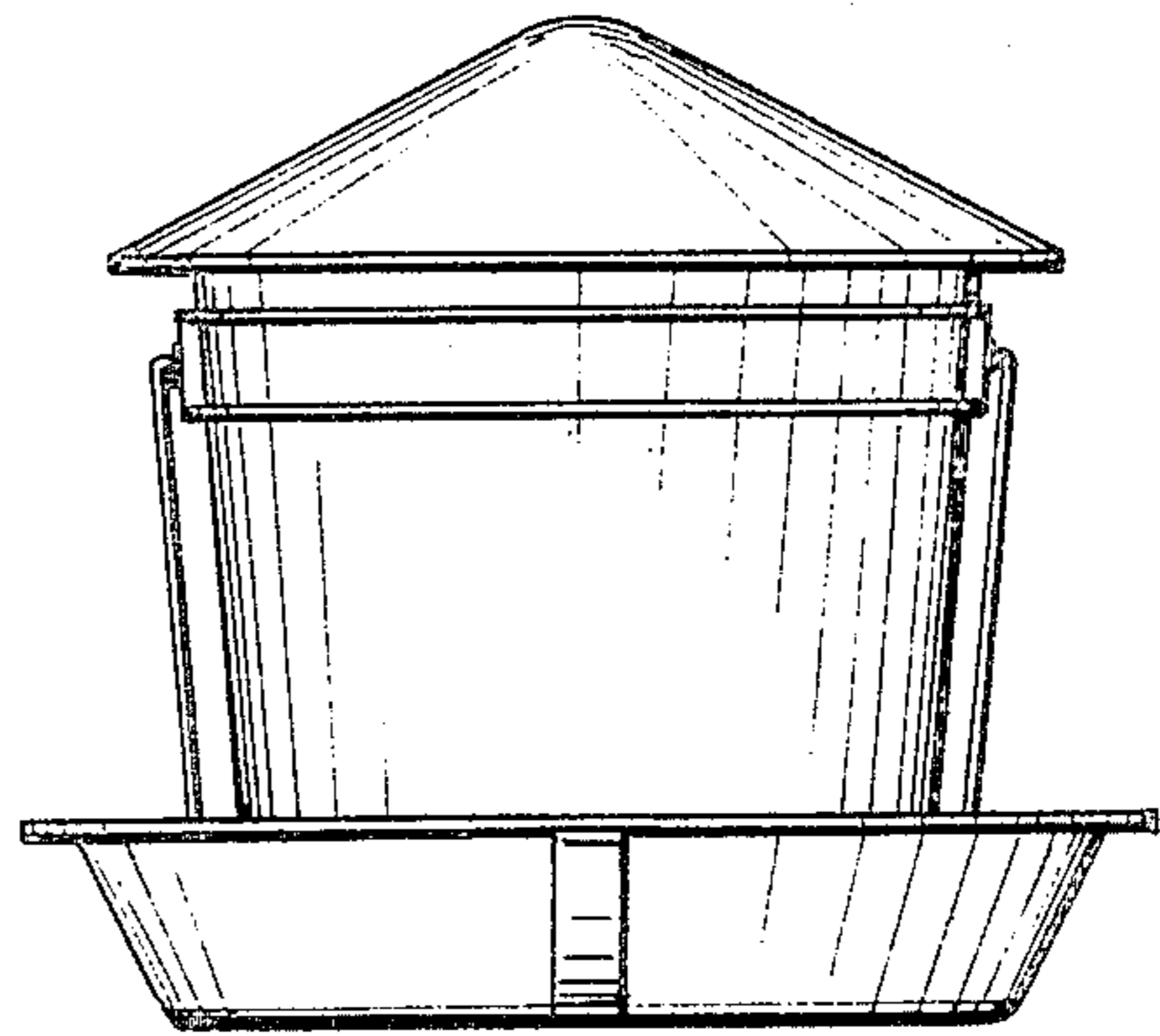


FIG. 3

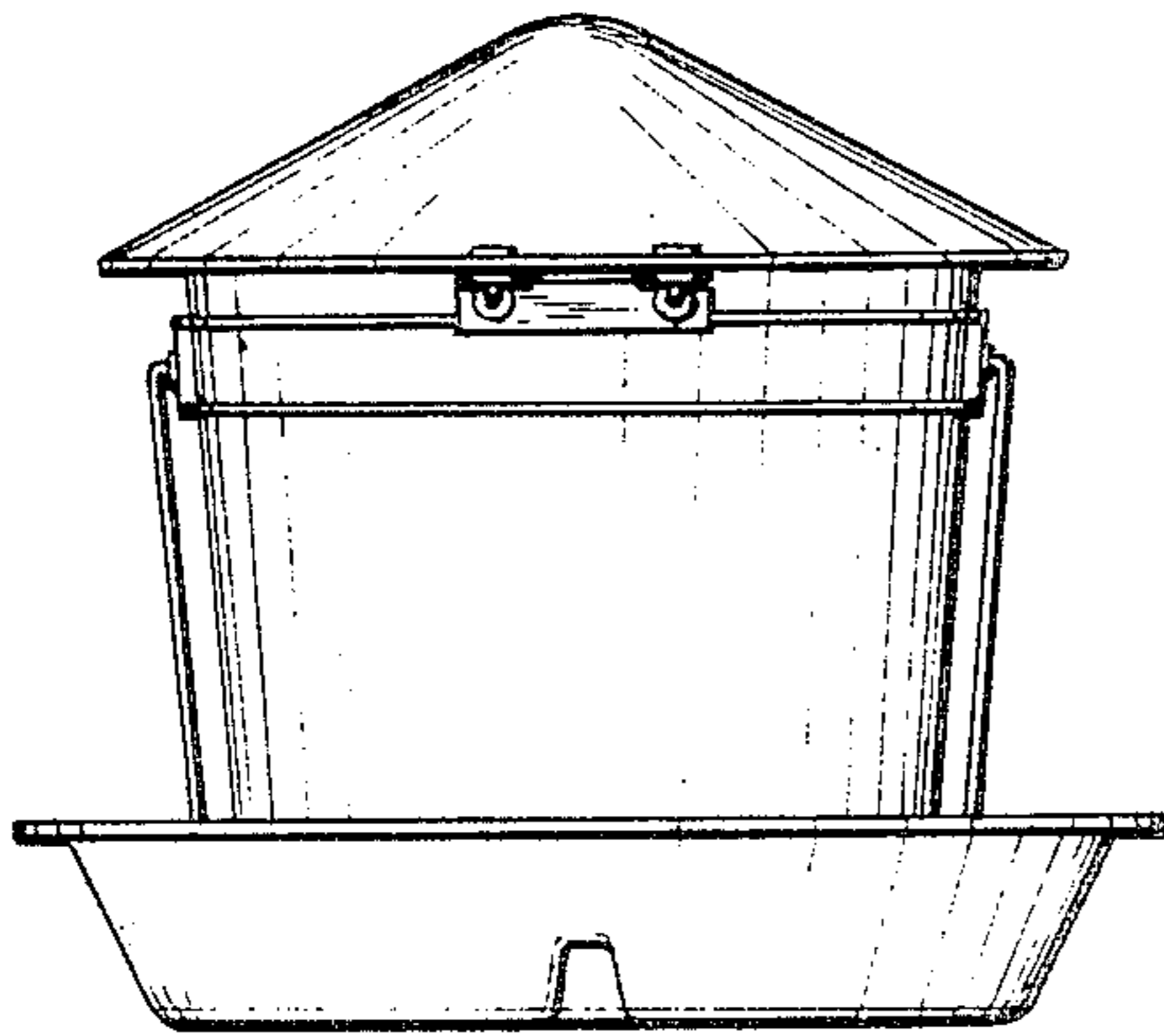


FIG. 4

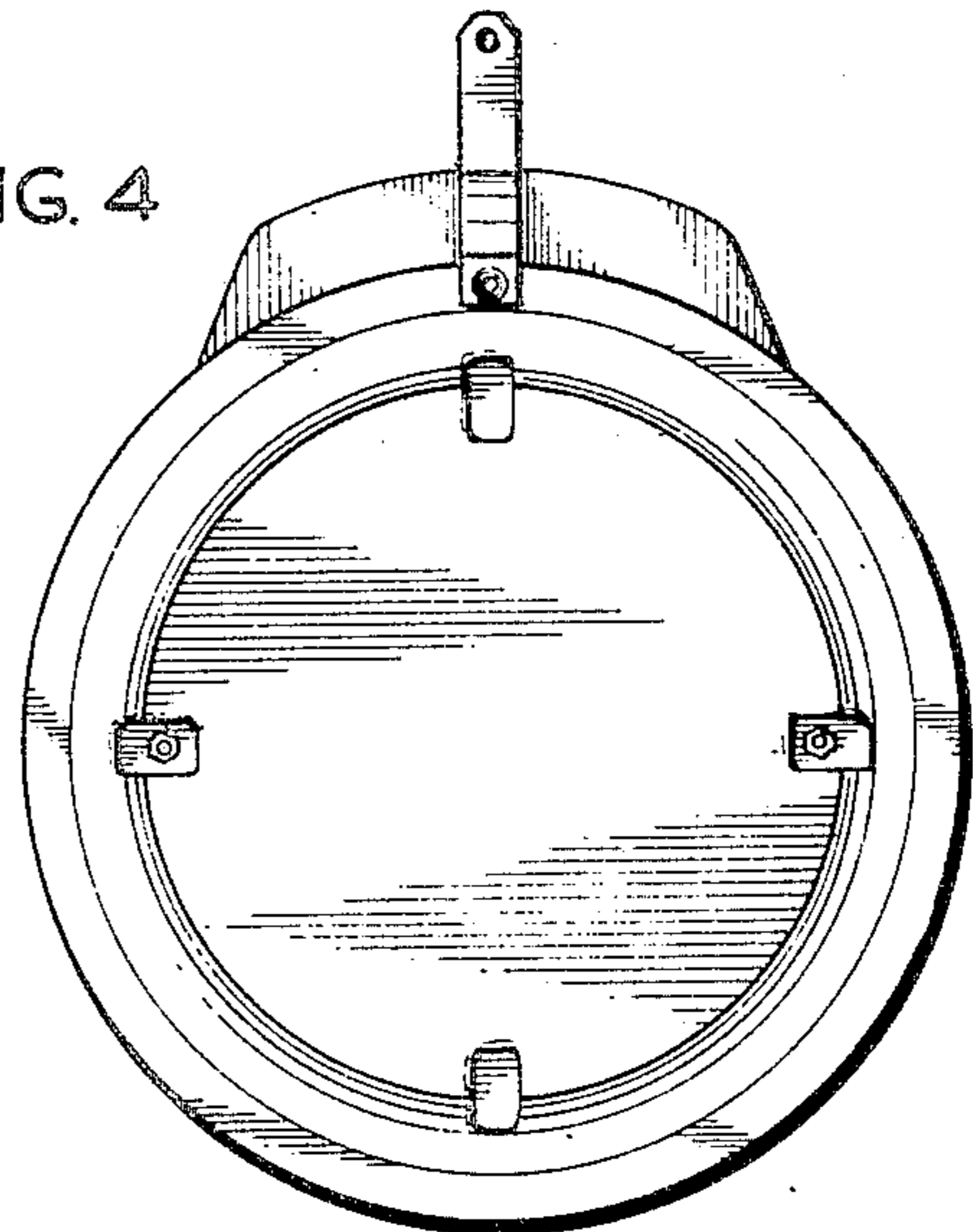
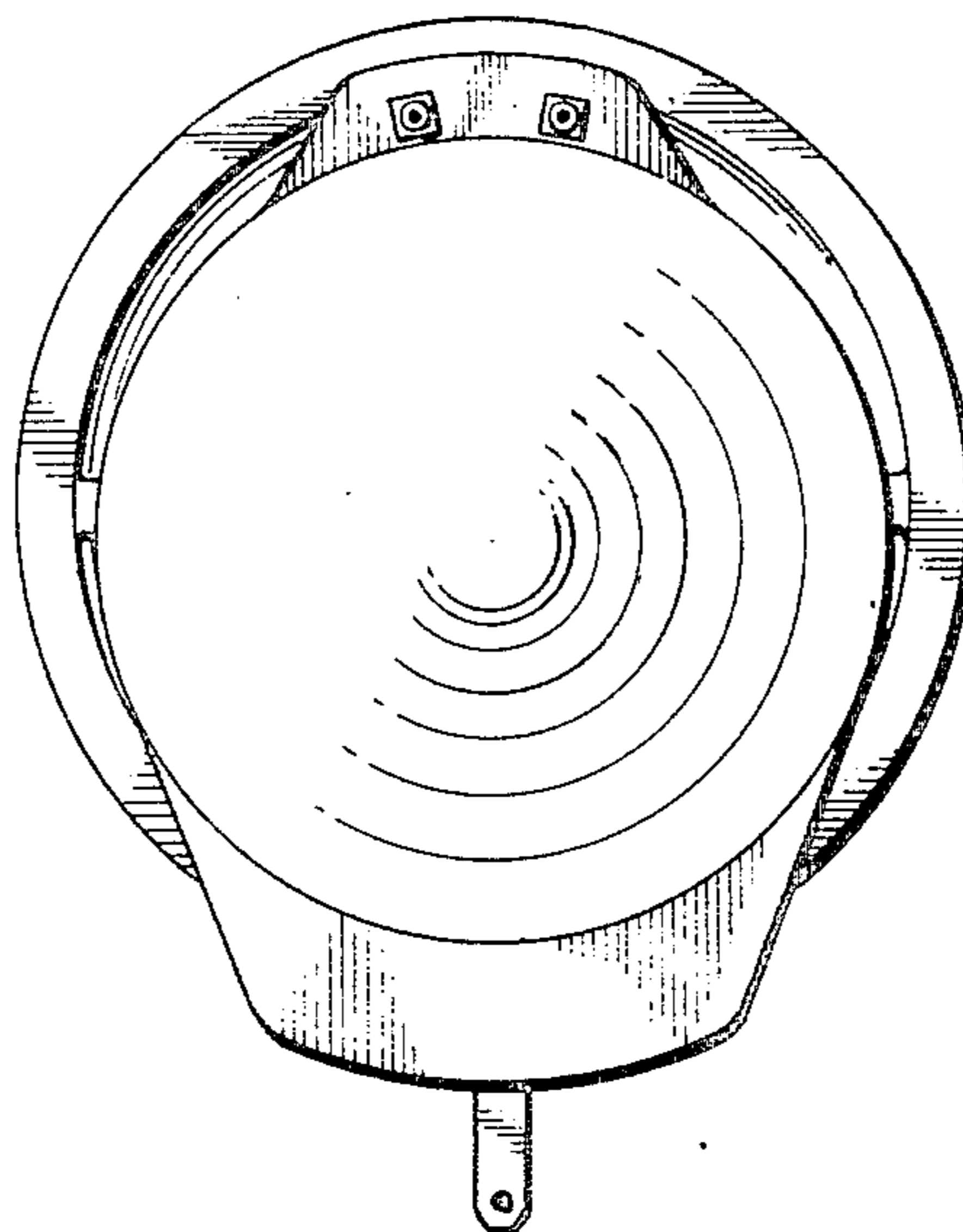


FIG. 5



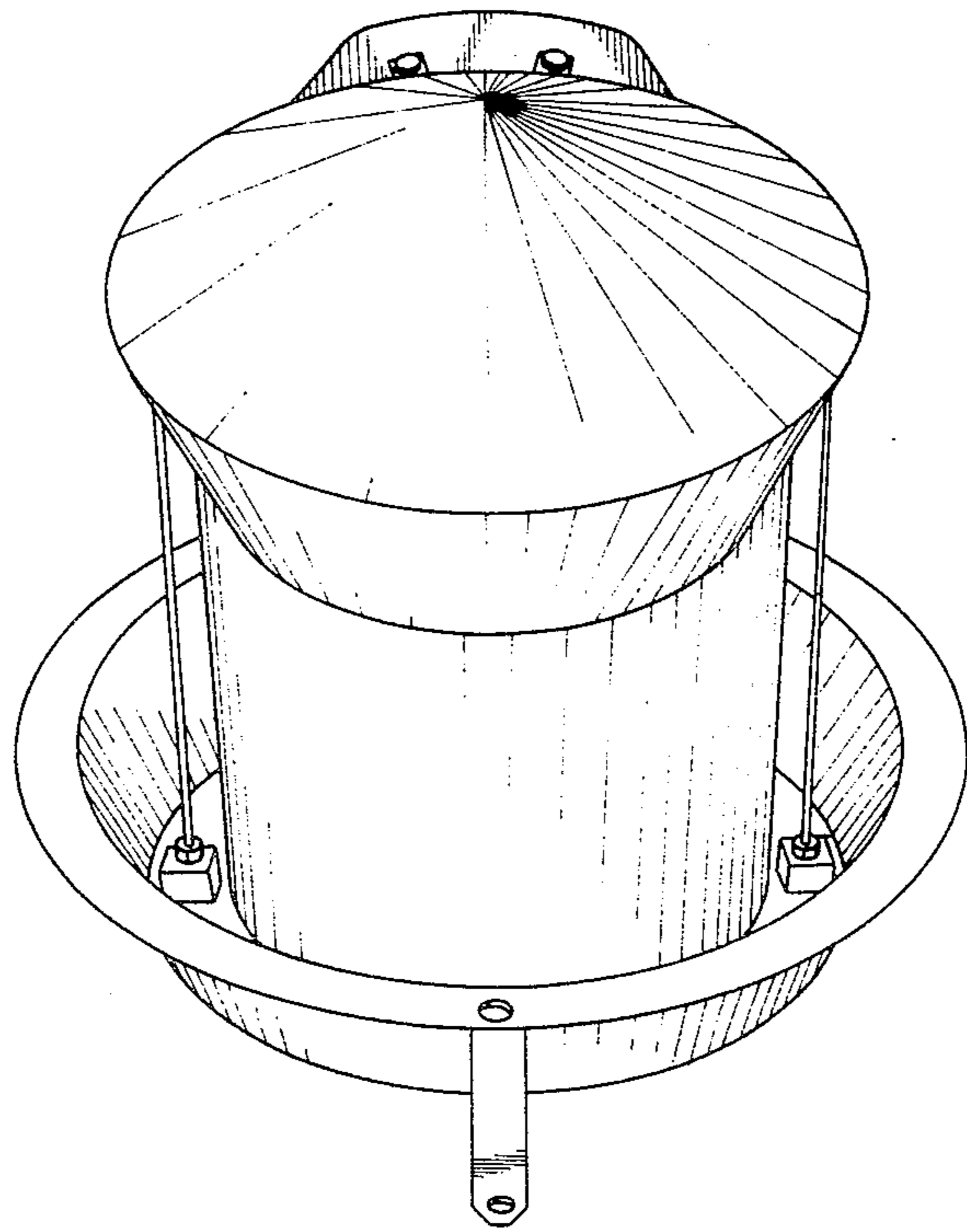


FIG. 6