

[54] RECHARGEABLE TASK LIGHT

[75] Inventor: Martin R. Gierke, Arnold, Md.

[73] Assignee: Black & Decker Inc., Newark, Del.

[**] Term: 14 Years

[21] Appl. No.: 581,609

[22] Filed: Feb. 21, 1984

[52] U.S. Cl. D26/60; D26/44; D26/63

[58] Field of Search D26/37-50, D26/60, 61, 63; 362/157, 158, 183-208, 396; D13/5, 6

[56] References Cited

U.S. PATENT DOCUMENTS

D. 272,476	1/1984	McClosky et al.	D26/46
1,743,936	1/1930	Segesser	362/191
3,183,891	5/1965	MacDonald	D13/6 X

4,298,913	11/1981	Lozar	362/396 X
4,400,763	8/1983	Kribs et al.	362/191 X

Primary Examiner—Susan J. Lucas
Attorney, Agent, or Firm—Finnegan, Henderson, Farabow, Garrett & Dunner

[57] CLAIM

The ornamental design for a rechargeable task light, as shown and described.

DESCRIPTION

FIG. 1 is a front elevational view of a rechargeable task light showing my new design; FIG. 2 is a bottom plan view thereof; FIG. 3 is a top plan view thereof; FIG. 4 is a side elevational view thereof; FIG. 5 is a opposite side elevational view thereof; FIG. 6 is a rear elevational view thereof; and FIG. 7 is a bottom, front perspective view thereof, shown in reduced scale.

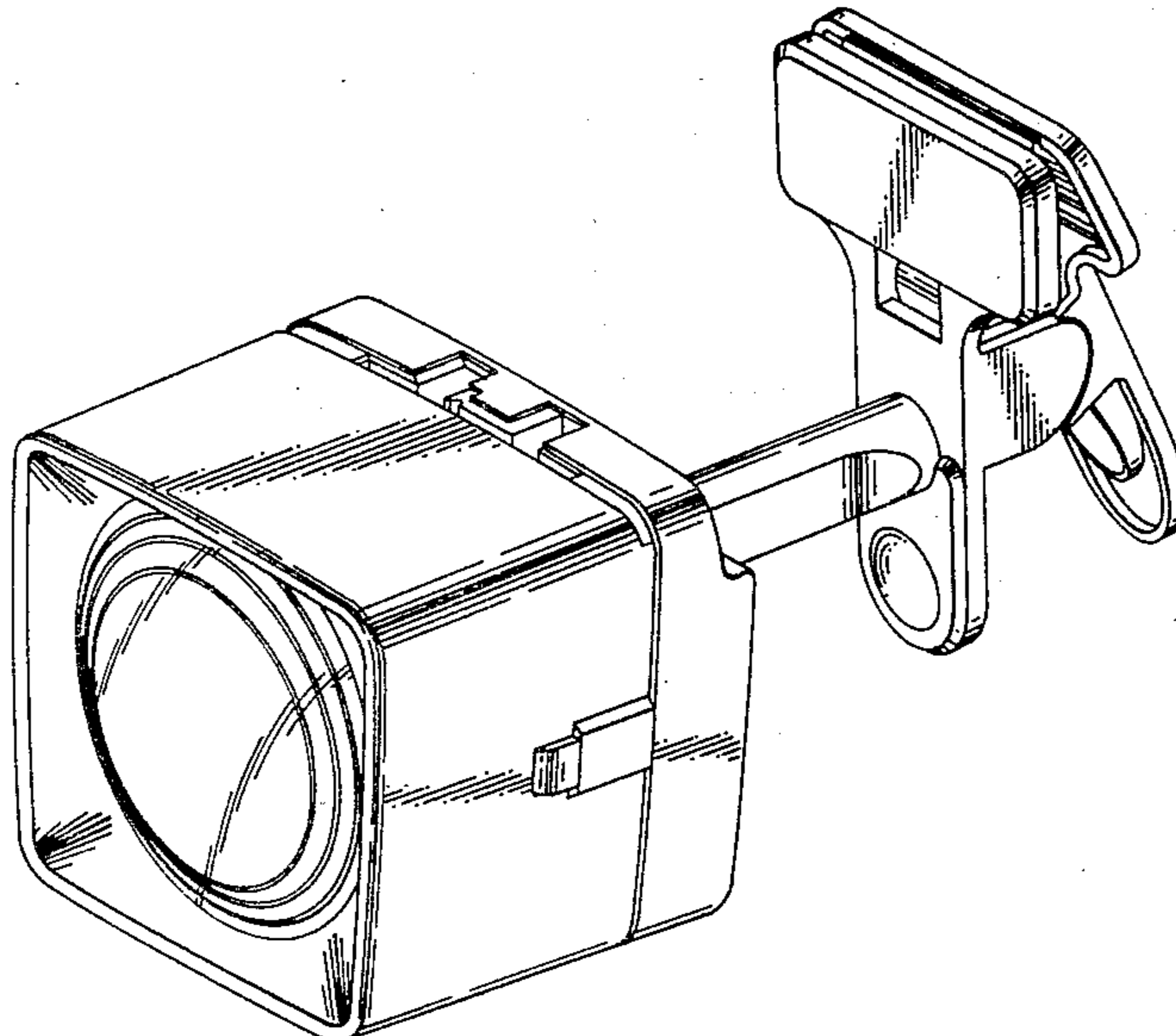


FIG. 1

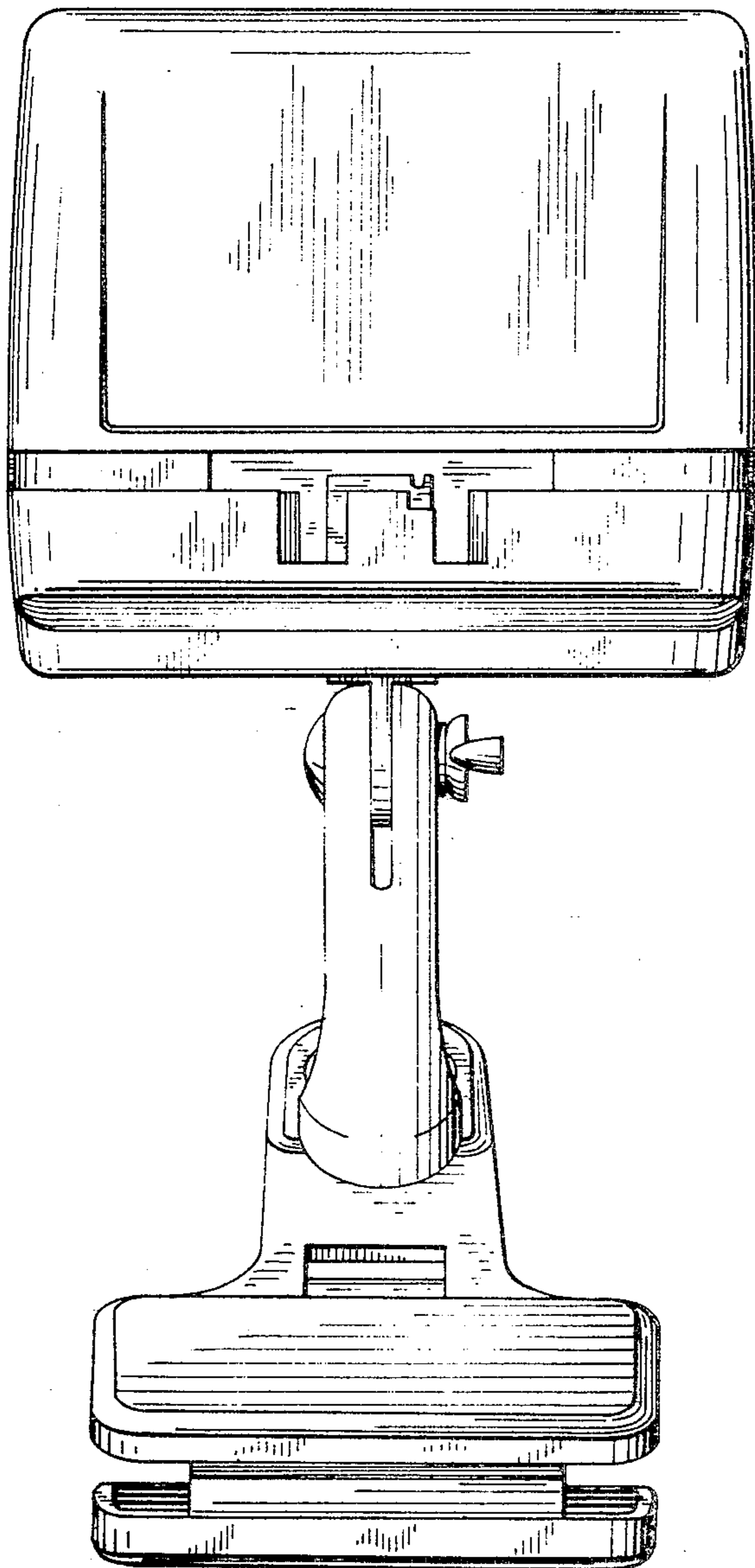
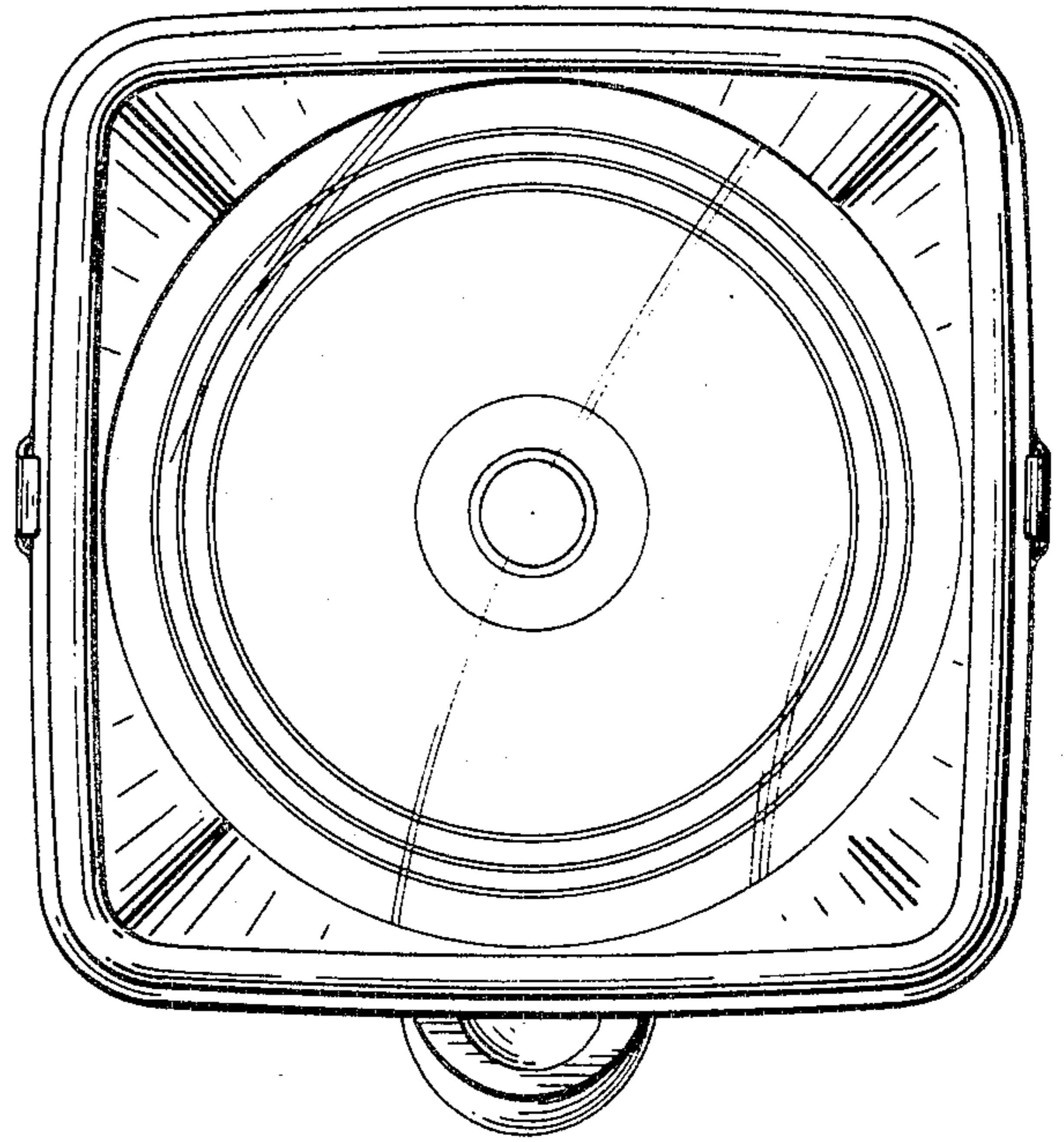
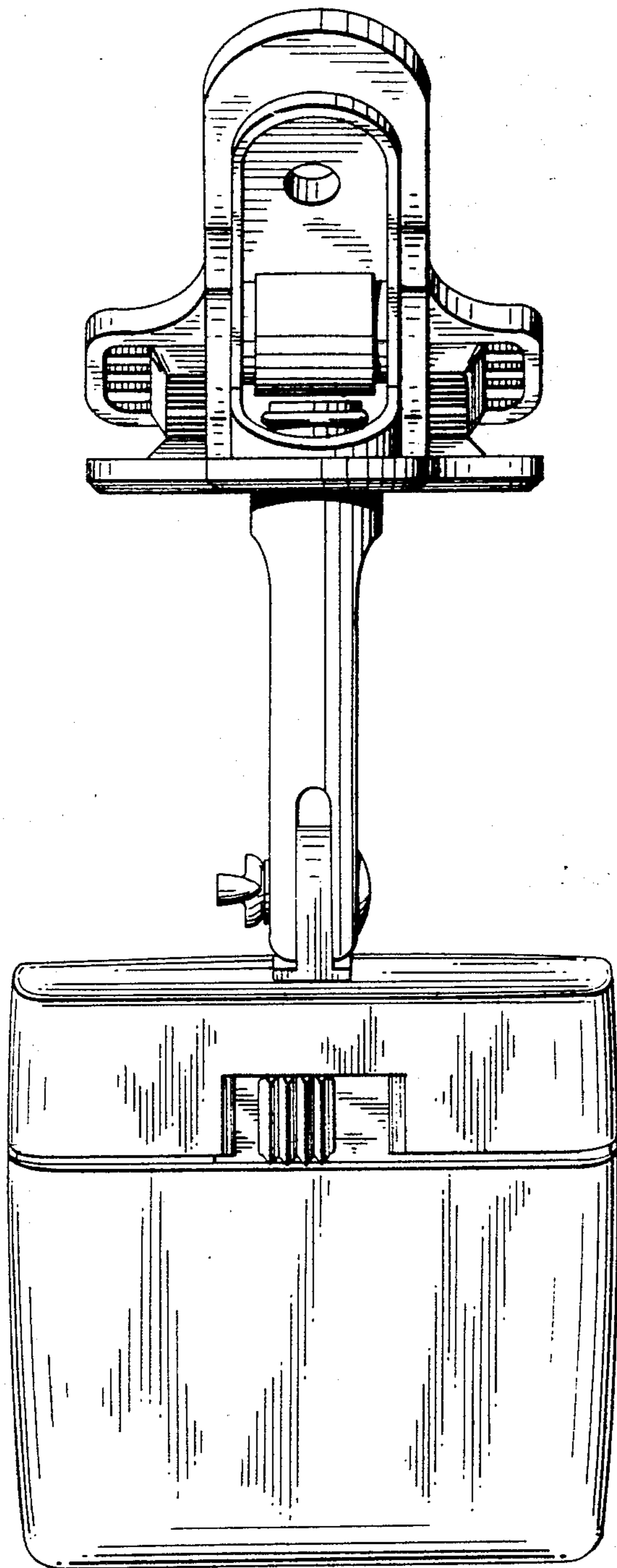


FIG. 2

FIG. 3



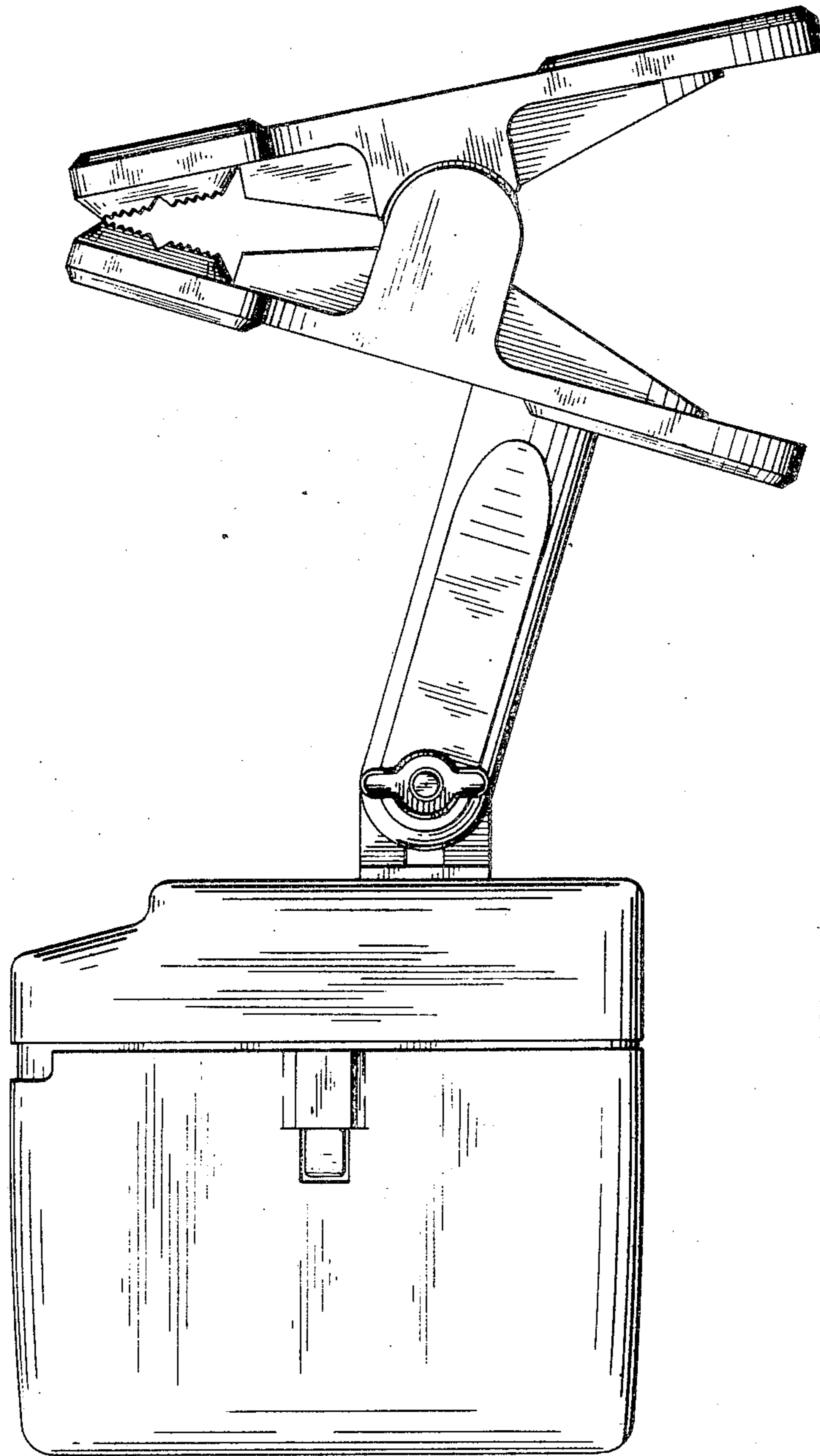


FIG. 4

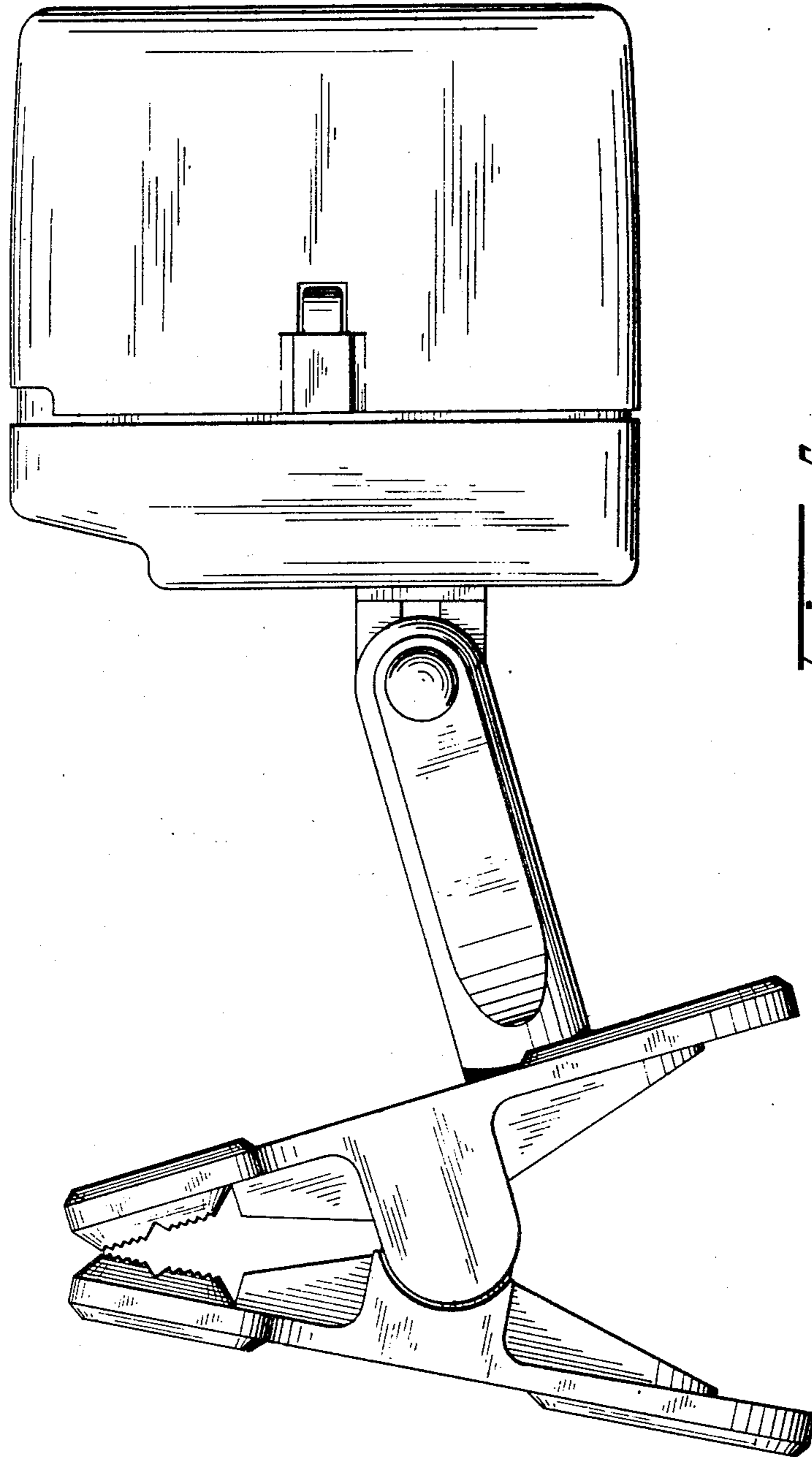
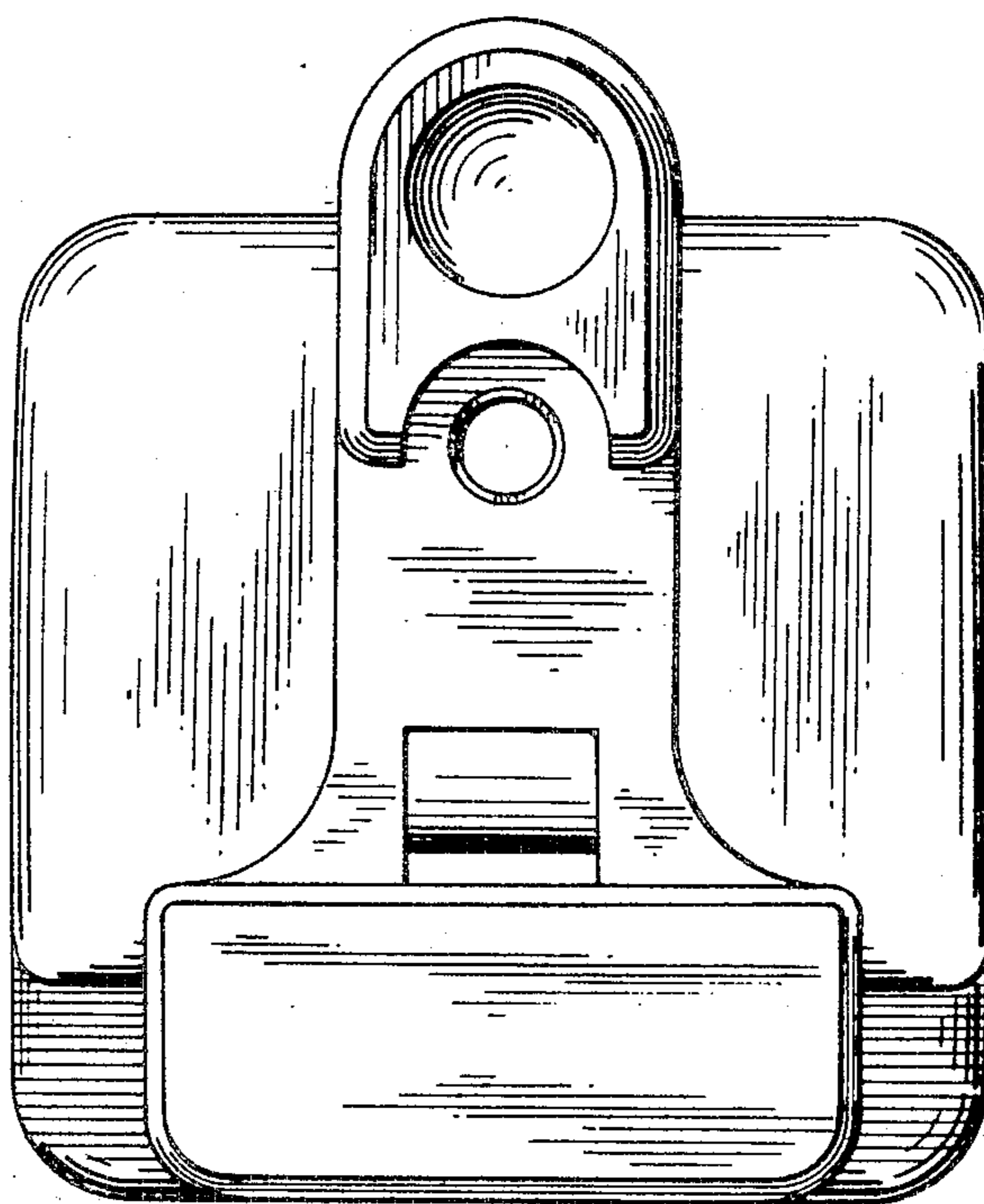


FIG. 5

FIG. 6



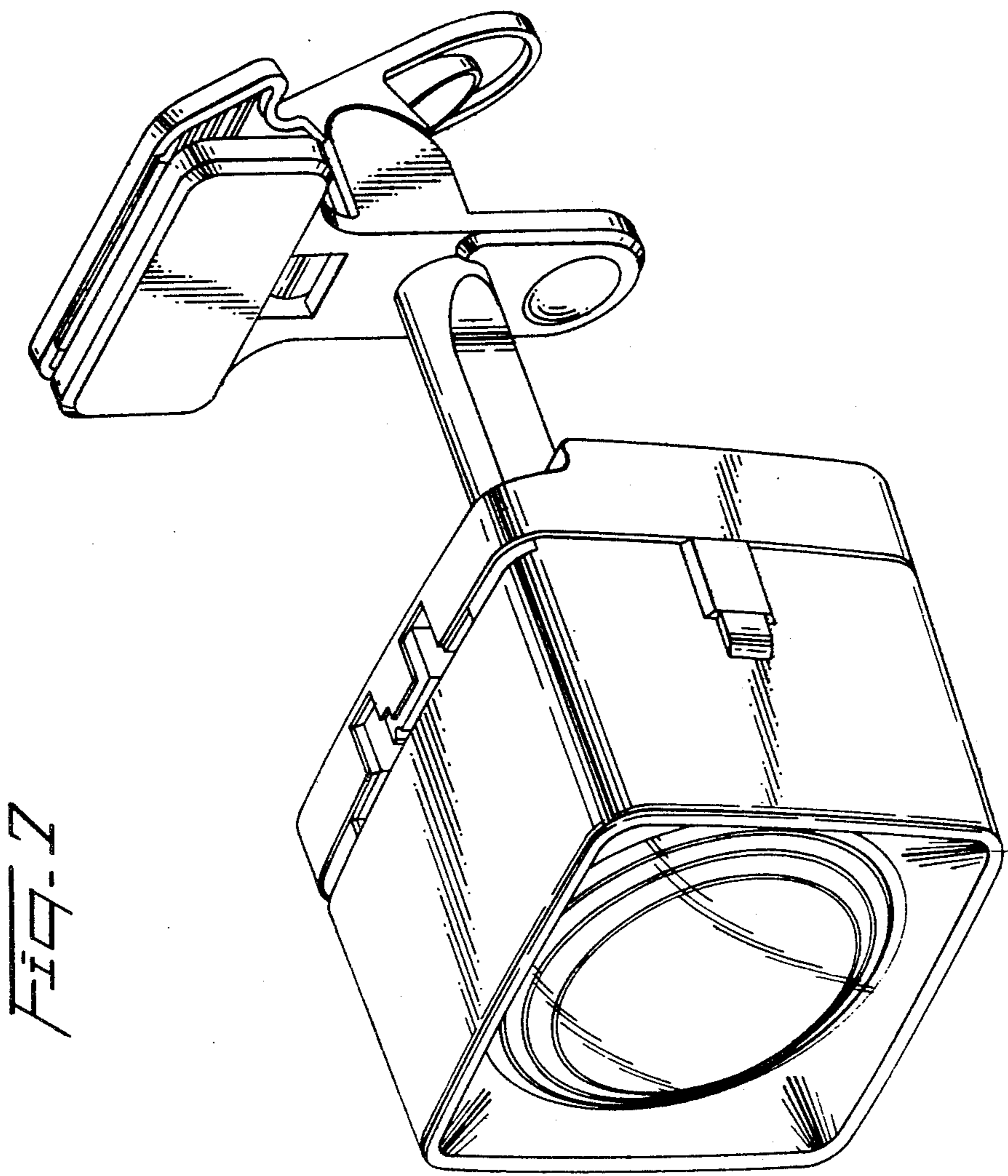


FIG. 2