

- [54] COMBINED PORTABLE FLUORESCENT LIGHT AND INCANDESCENT LANTERN
- [75] Inventor: Chung S. Leung, Tsuen Wan, Hong Kong
- [73] Assignee: Foster Industries Company Limited, Tsuen Wan, Hong Kong
- [**] Term: 14 Years
- [21] Appl. No.: 623,767
- [22] Filed: Jun. 20, 1984

- [30] Foreign Application Priority Data
- Apr. 21, 1984 [GB] United Kingdom 1019334
- [52] U.S. Cl. D26/42
- [58] Field of Search D26/37-50; 362/157, 158, 183-208

- [56] References Cited
- U.S. PATENT DOCUMENTS
- D. 226,448 3/1973 May et al. D26/42
- D. 234,001 12/1974 Strowe et al. D26/48
- D. 236,023 7/1975 Zelina D26/39
- D. 247,690 4/1978 Zelina D26/39

FOREIGN PATENT DOCUMENTS

823904 12/1951 Fed. Rep. of Germany 362/191

Primary Examiner—Susan J. Lucas
Attorney, Agent, or Firm—Wenderoth, Lind & Ponack

[57] CLAIM

The ornamental design for combined portable fluorescent light and incandescent lantern, substantially as shown and described.

DESCRIPTION

FIG. 1 is a front perspective view from above of the combined portable fluorescent light and incandescent lantern of my invention;

FIG. 2 is a rear perspective view thereof from above;

FIG. 3 is a right side elevational view thereof;

FIG. 4 is a left side elevational view thereof;

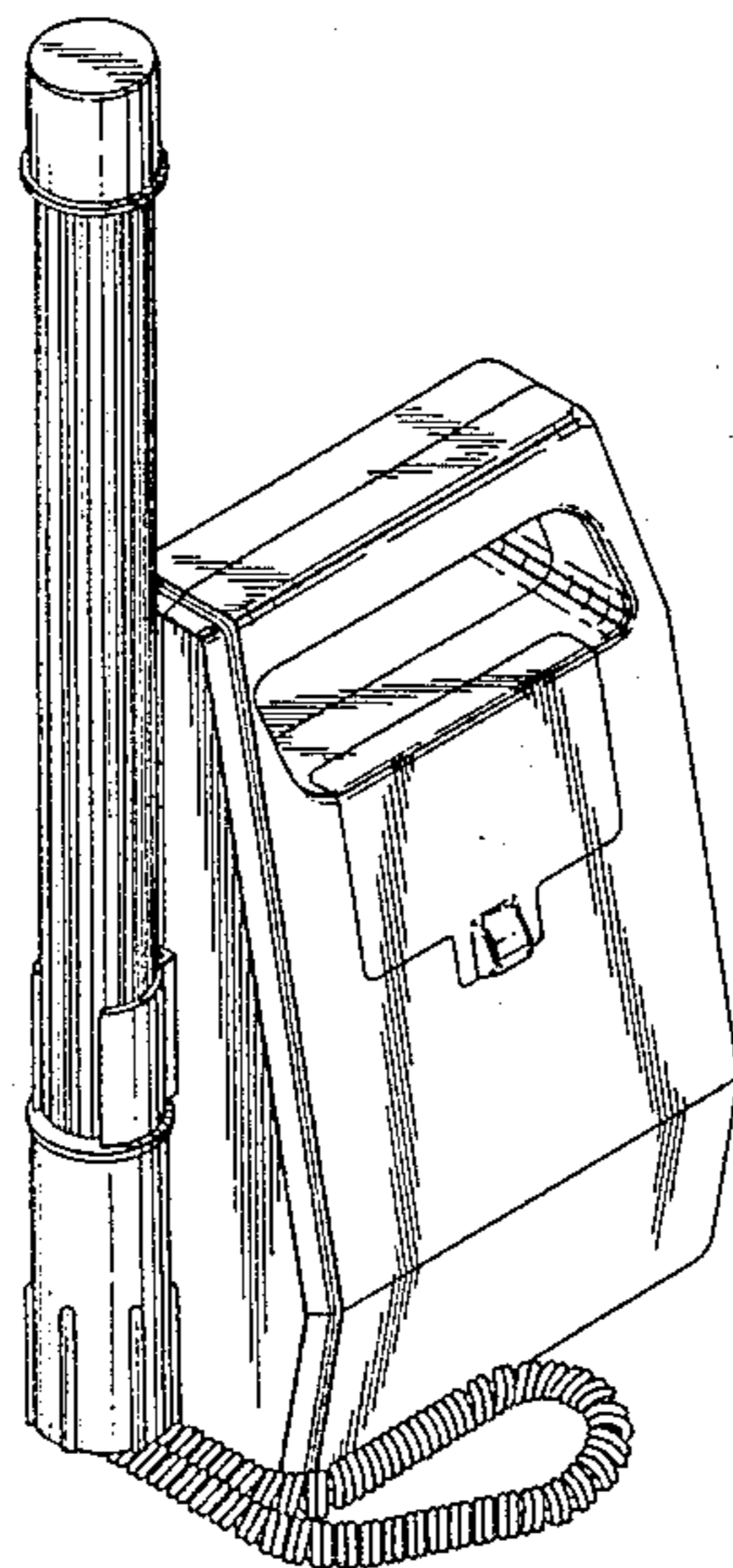
FIG. 5 is a front elevational view thereof;

FIG. 6 is a rear elevational view thereof;

FIG. 7 is a top plan view thereof; and

FIG. 8 is an underneath plan view thereof.

The cylindrical diffuser is shaded with oblique lines to indicate a slight translucency, the light lines indicating fluting on the interior surface of the diffuser cylinder.



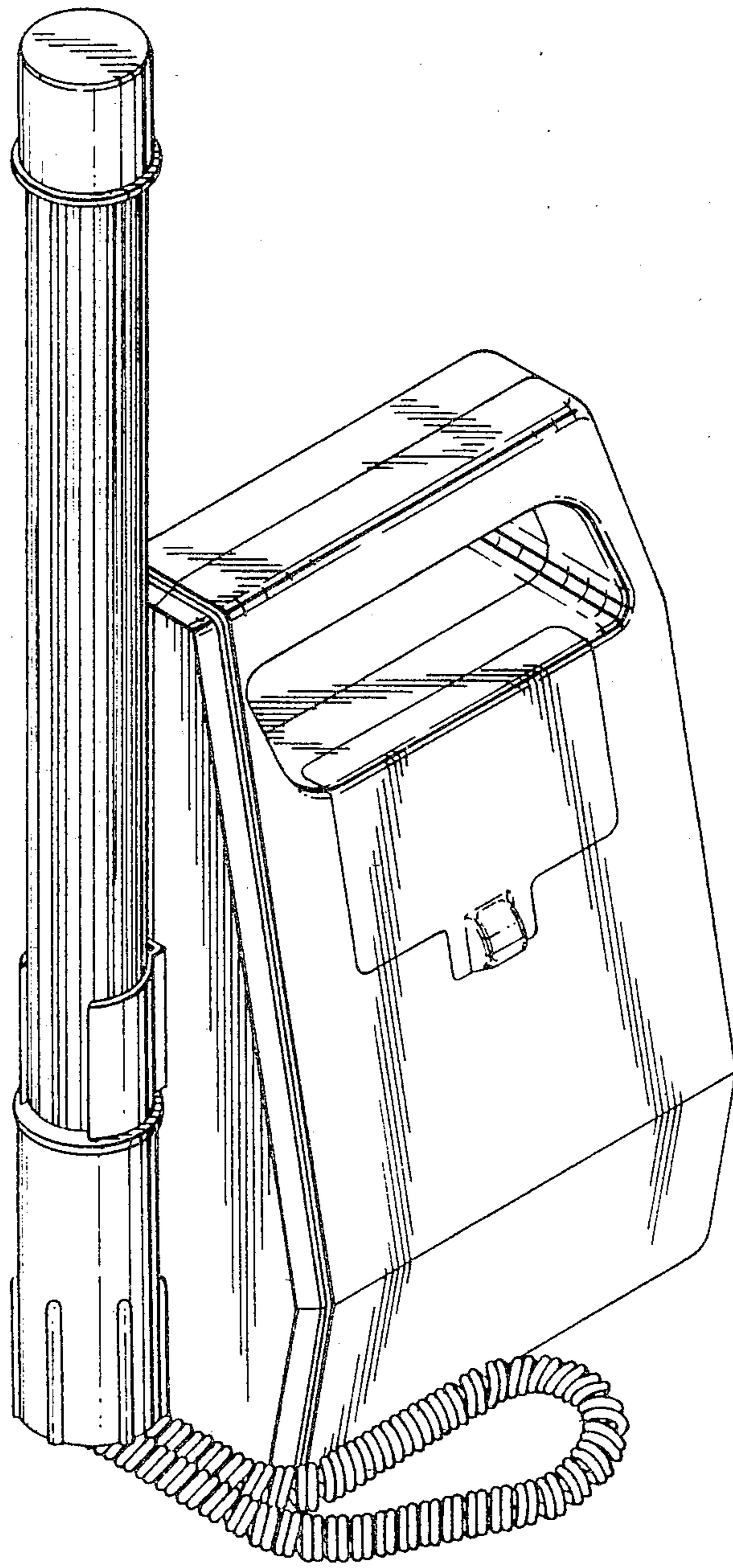


FIG. 1

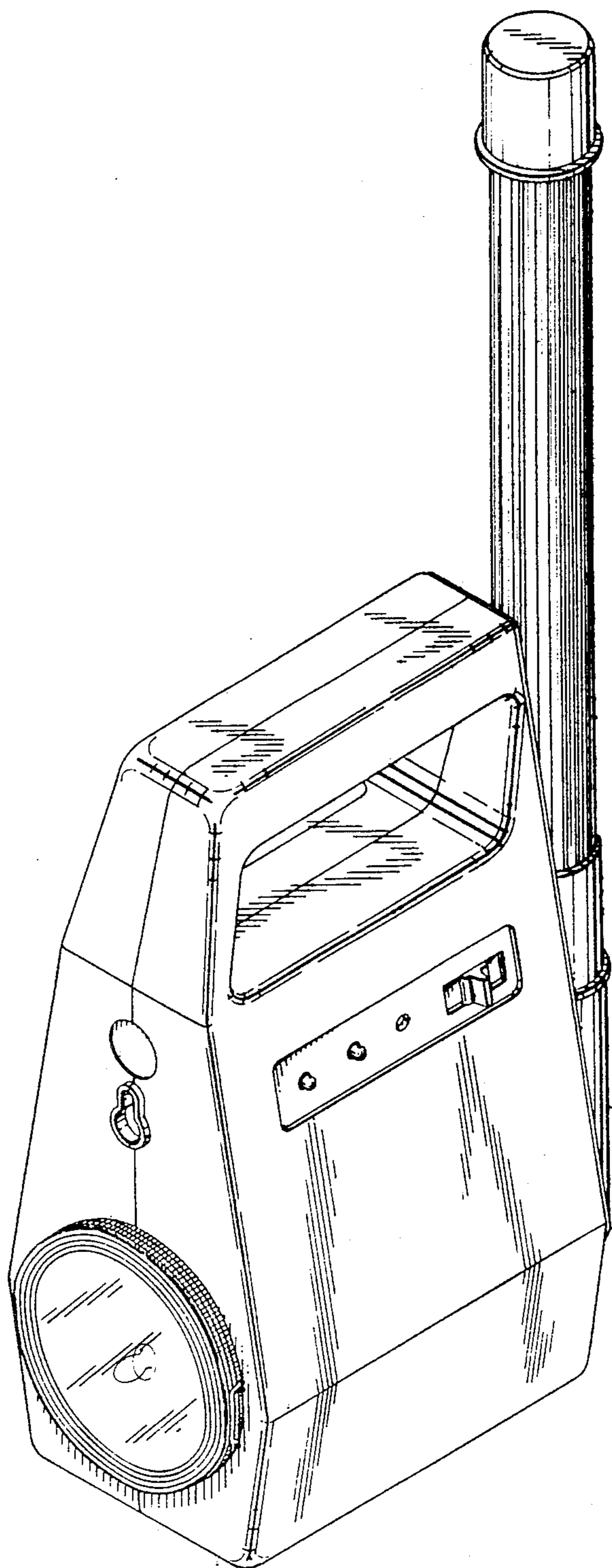


FIG. 2

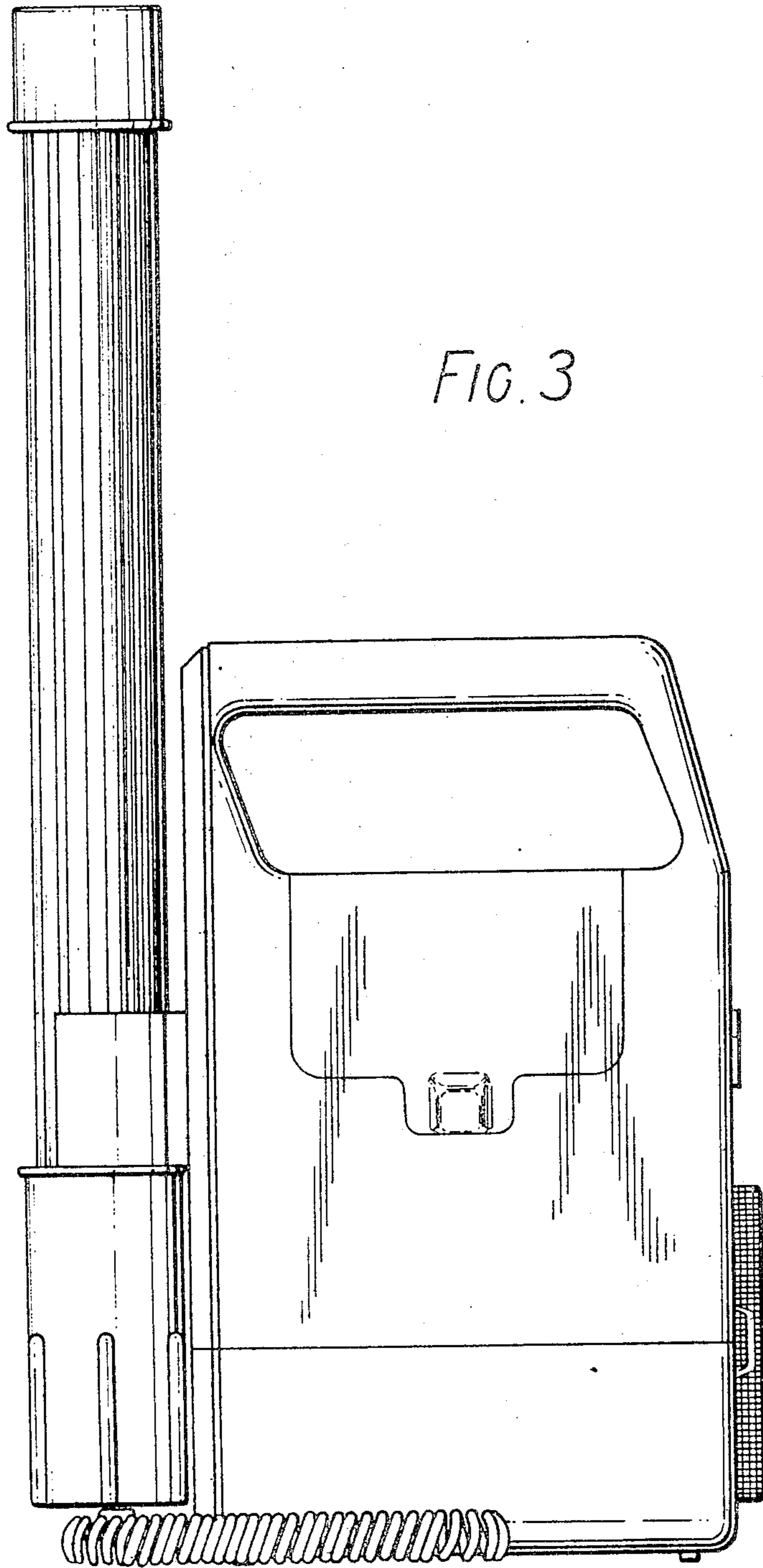
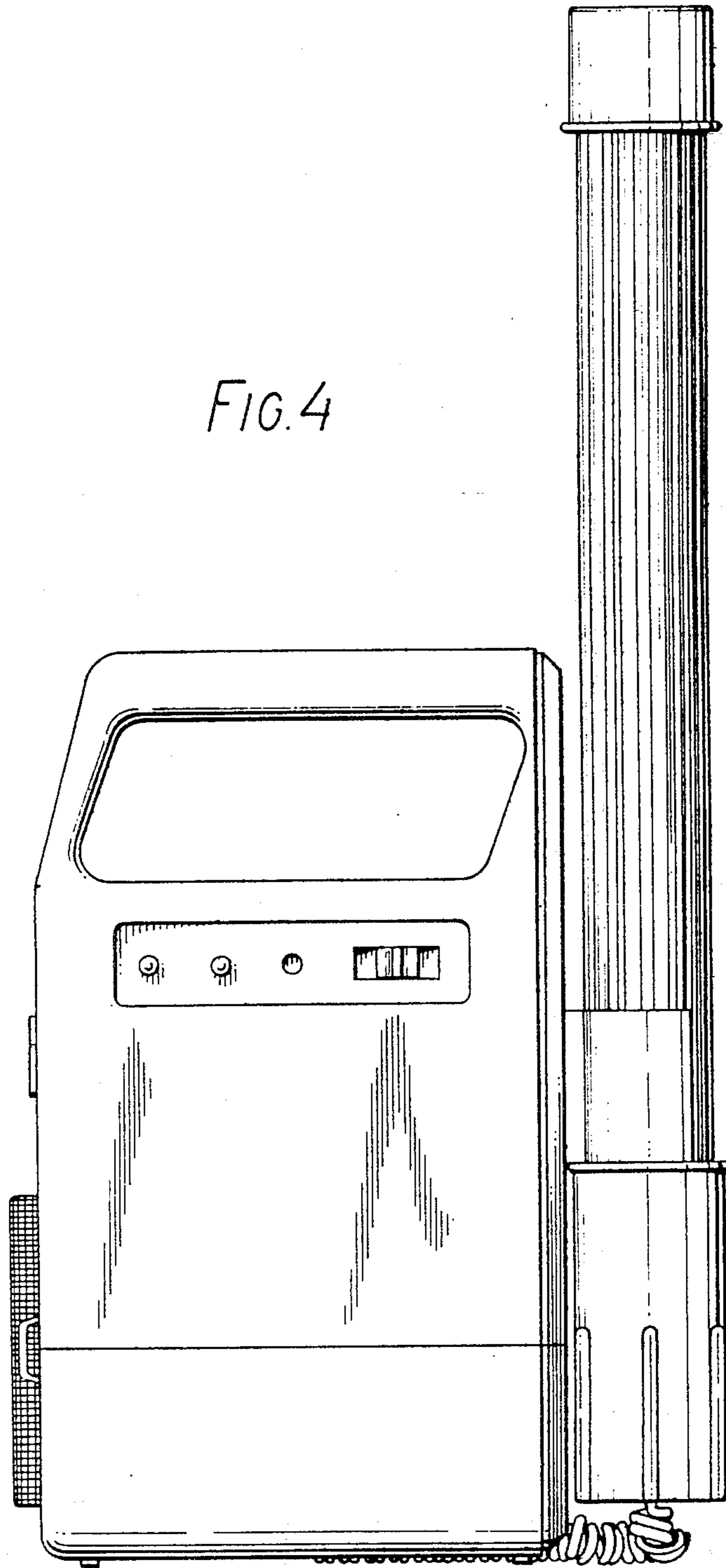
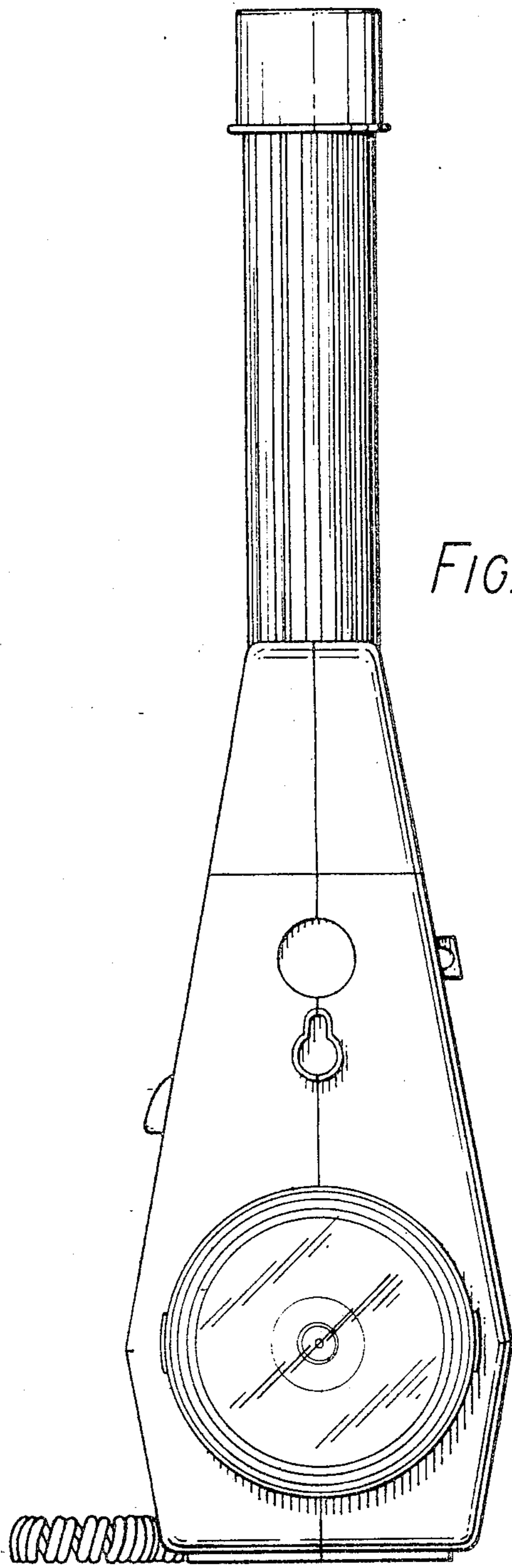
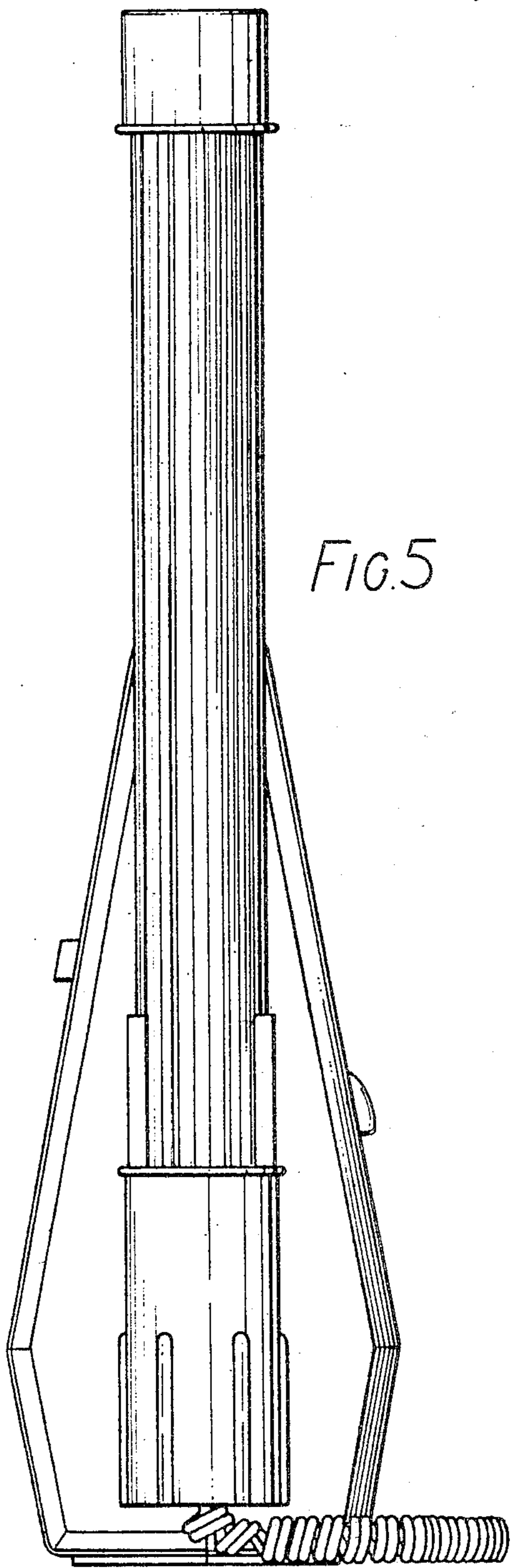


FIG. 3

FIG. 4





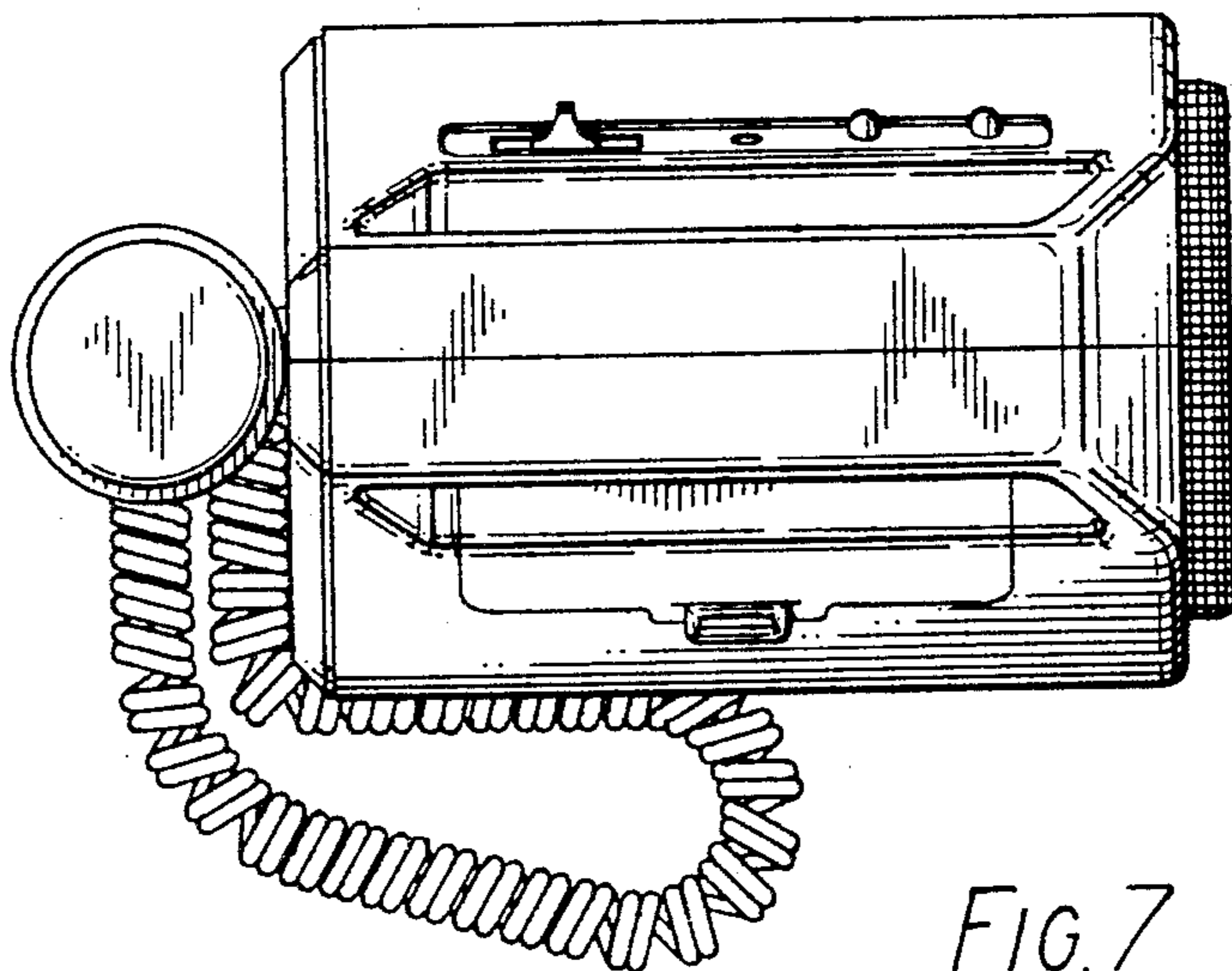


FIG. 7

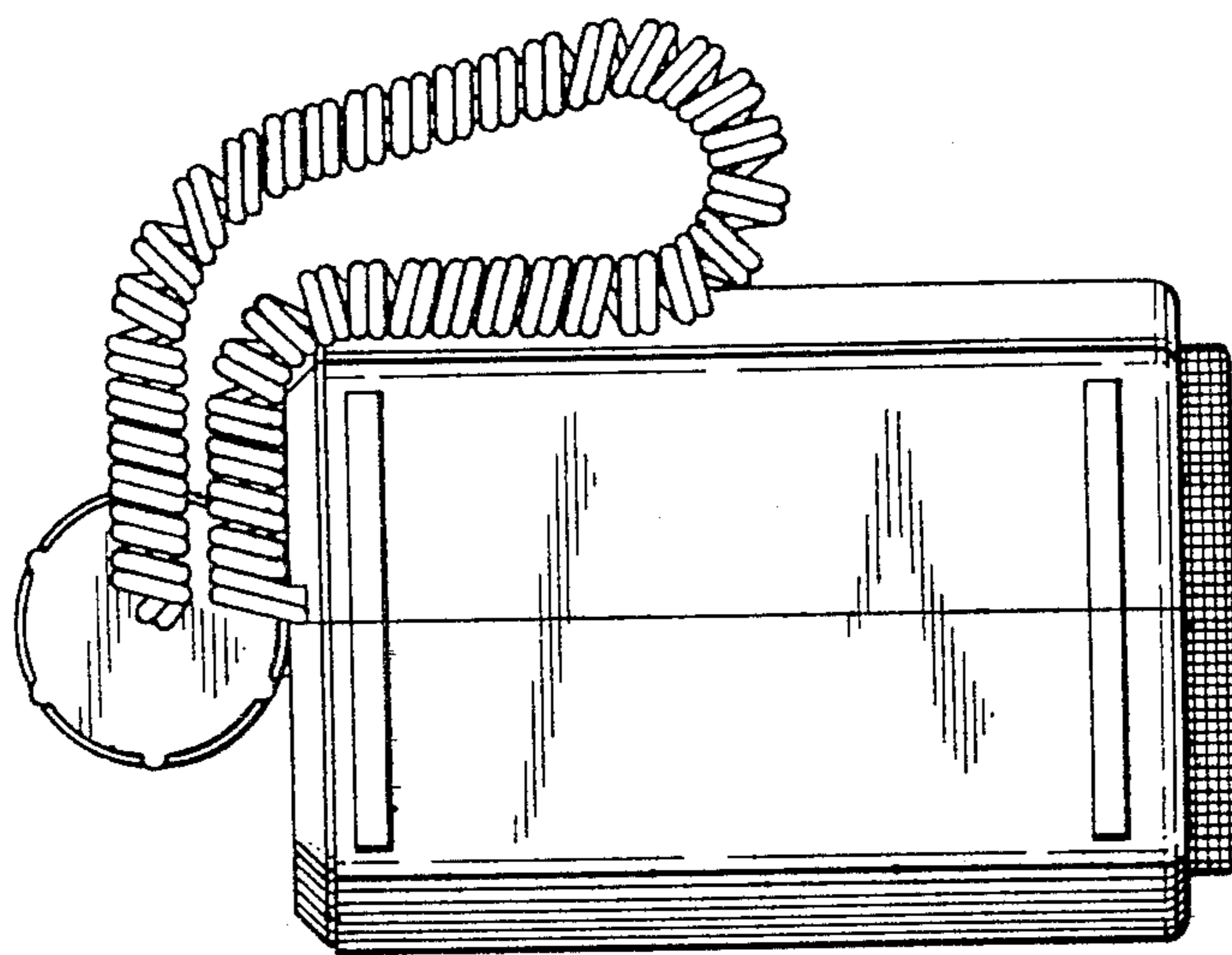


FIG. 8