

[54] CAROUSEL FOR CHEMICAL ANALYZER OR THE LIKE

[75] Inventors: Robert C. Hollar, Wildwood; Tung M. Huang, Elk Grove Village, both of Ill.

[73] Assignee: Abbott Laboratories, North Chicago, Ill.

[\*\*] Term: 14 Years

[21] Appl. No.: 618,642

[22] Filed: Jun. 8, 1984

[52] U.S. Cl. .... D24/31

[58] Field of Search ..... D24/8, 22, 29, 31, 32, D24/99, 56; 422/64, 67, 68, 72, 73, 102, 104; 356/246, 440; 250/576; 436/45, 47, 809; 211/71, 72, 73, 74

[56] References Cited

U.S. PATENT DOCUMENTS

D. 248,407	7/1978	Bassett et al. ....	D24/22
D. 277,891	3/1985	Uffenheimer .....	D24/31
4,035,156	7/1977	Shumate .....	250/576 X
4,126,418	11/1978	Krasnow .....	356/246 X
4,287,155	9/1981	Tersteeg et al. ....	422/104 X
4,314,970	2/1982	Stein et al. ....	356/246 X
4,360,360	11/1982	Chiknas .....	422/72 X
4,519,981	5/1985	Guigan .....	356/246 X

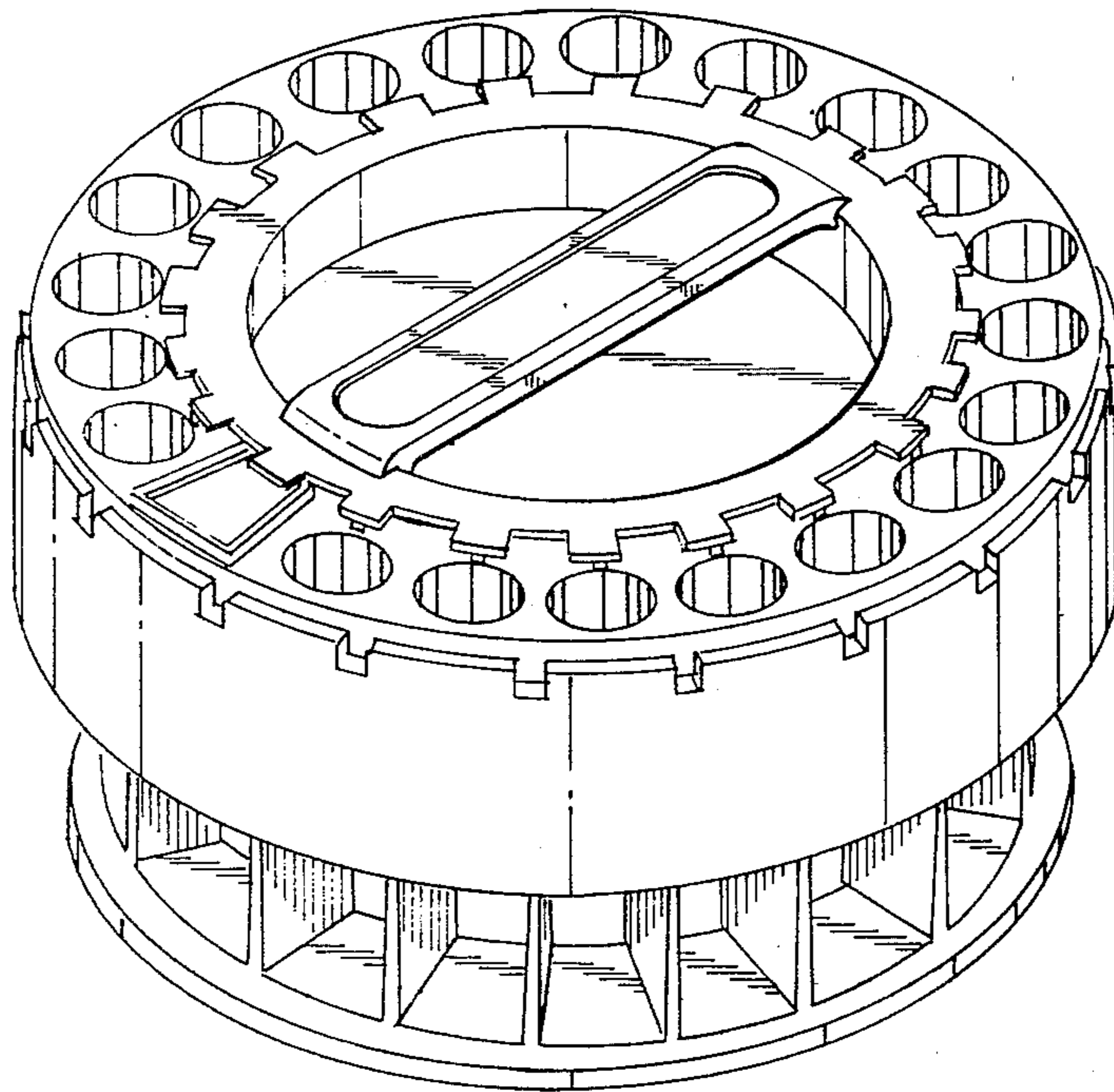
Primary Examiner—Catherine E. Kemper  
Attorney, Agent, or Firm—James L. Wilcox

[57] CLAIM

The ornamental design of a carousel for chemical analyzer or the like, substantially as shown and described.

DESCRIPTION

FIG. 1 is a top front perspective view of a carousel for chemical analyzer or the like, showing our new design; FIG. 2 is a top plan view thereof; FIG. 3 is a side elevational view thereof; and FIG. 4 is a bottom plan view thereof.



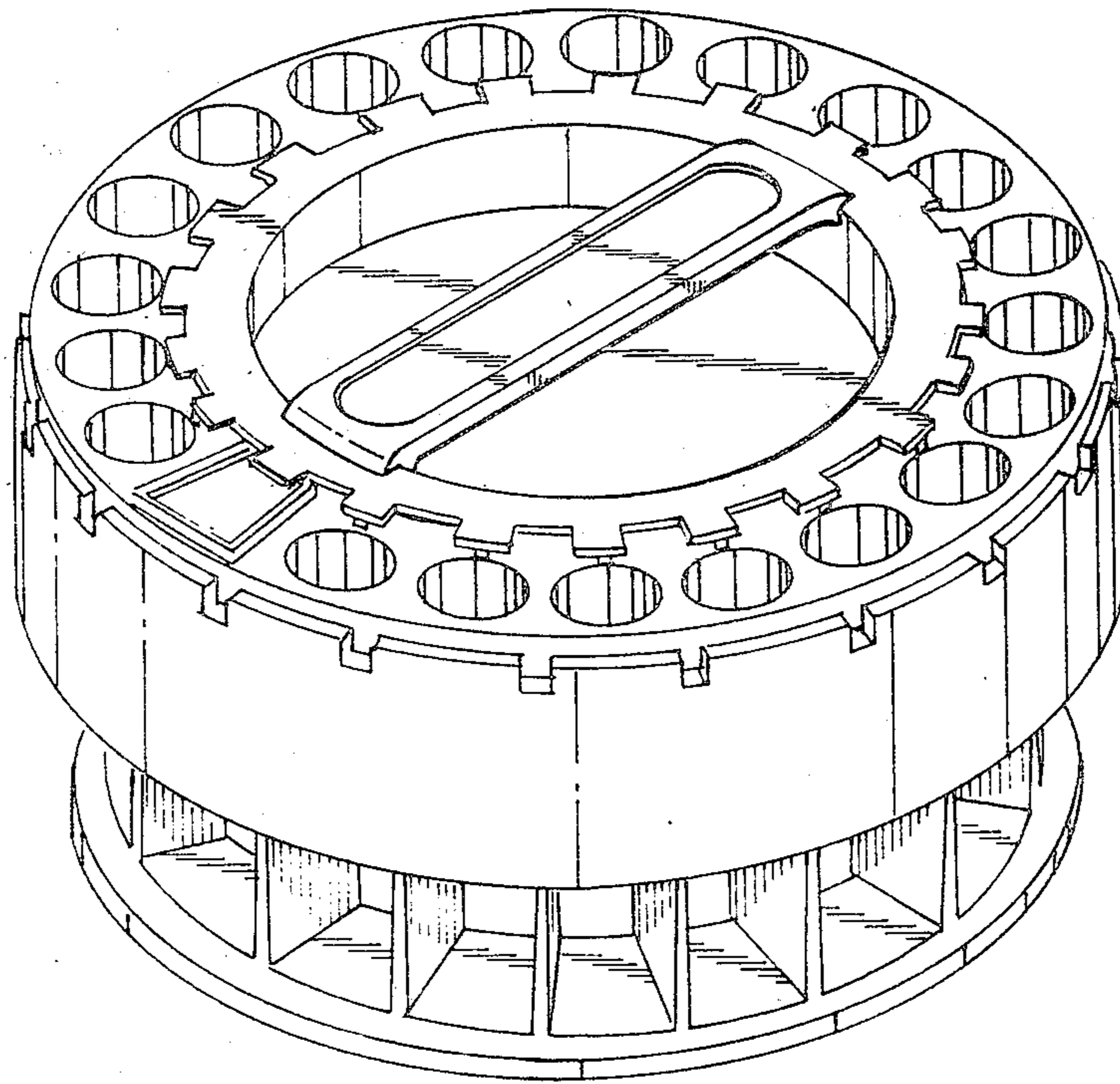


FIG. 1

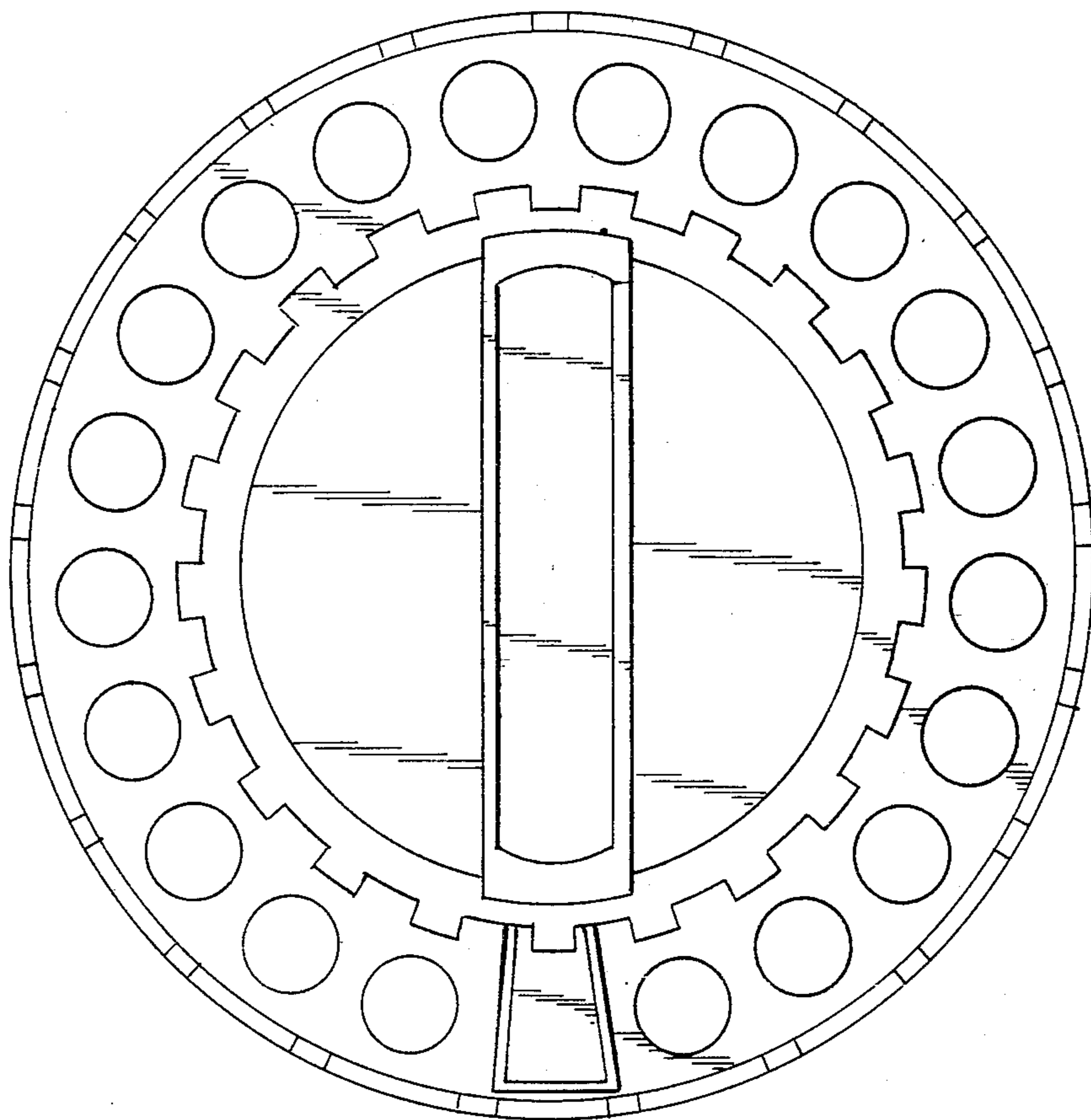


FIG. 2

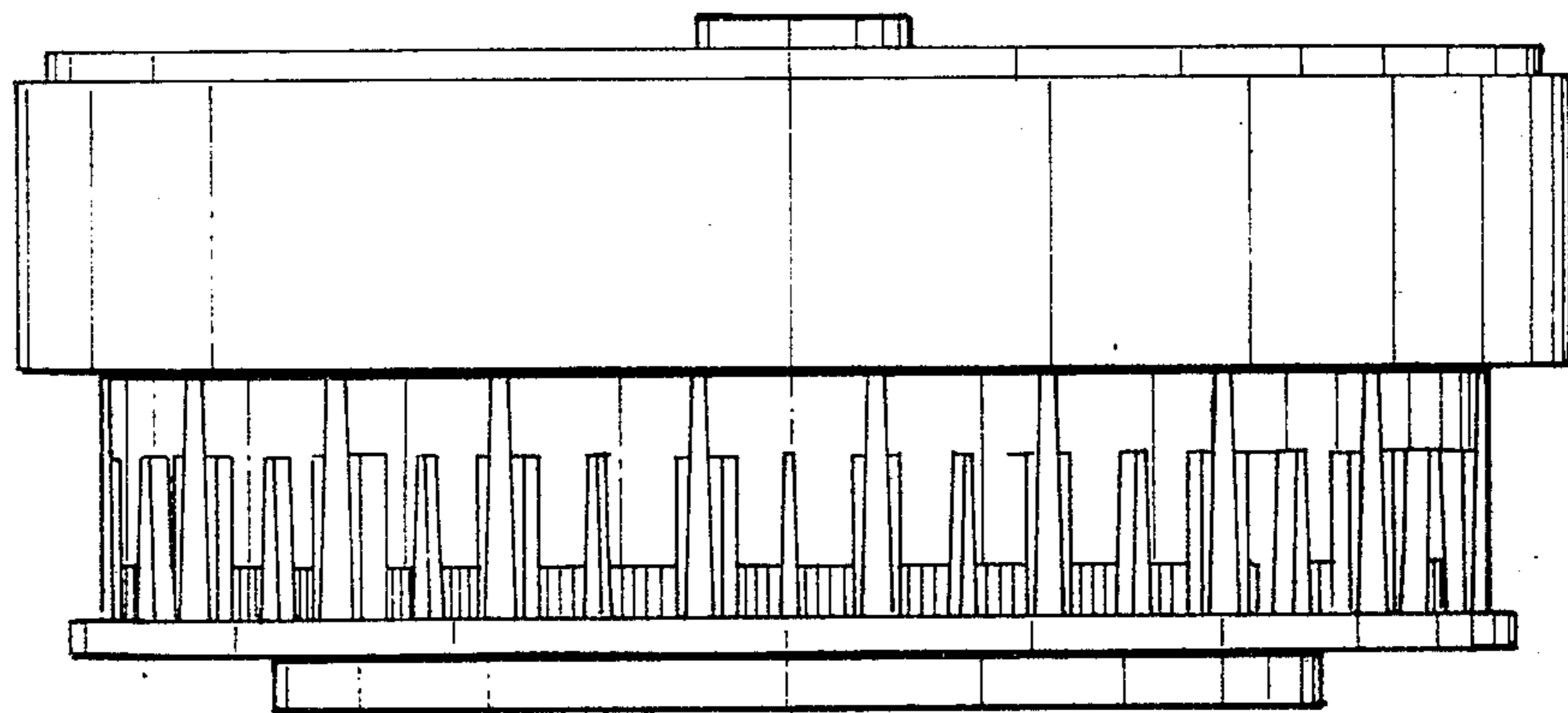


FIG. 3

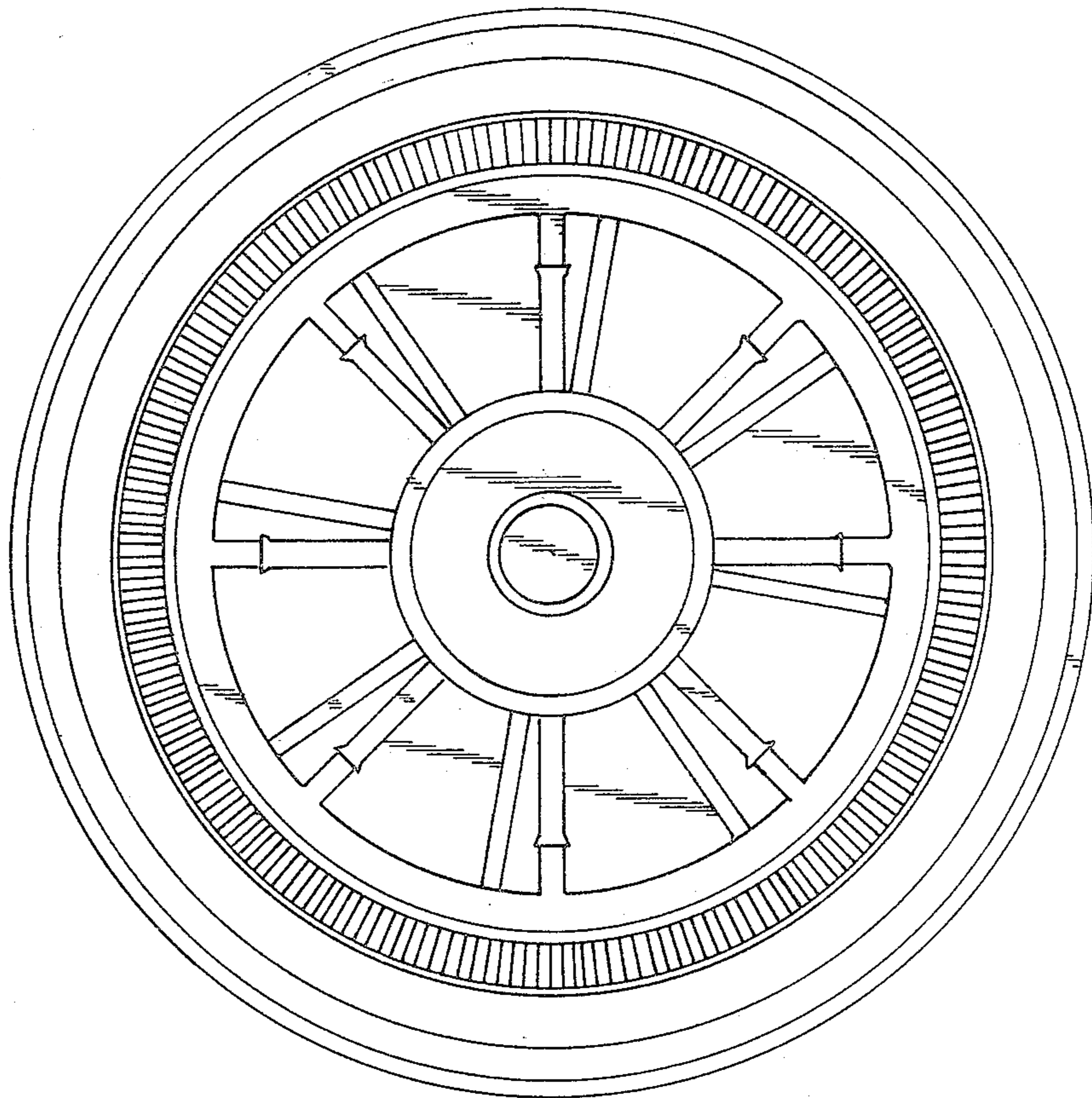


FIG. 4