

[54] **FLUID CONTAINER FOR CHEMICAL ANALYZER OR THE LIKE**

[75] **Inventor: Larry W. Moore, Plano, Tex.**

[73] **Assignee: Abbott Laboratories, North Chicago, Ill.**

[**] **Term: 14 Years**

[21] **Appl. No.: 618,643**

[22] **Filed: Jun. 8, 1984**

[52] **U.S. Cl. D24/29**

[58] **Field of Search D24/8, 22, 29, 31, 32, D24/99, 56; 422/64, 67, 68, 72, 73, 102, 104; 356/440, 246; 250/576; 436/45, 47, 809**

[56] **References Cited**

U.S. PATENT DOCUMENTS

D. 240,744 7/1976 Reisdorf D24/29

D. 257,175 9/1980 Terk D24/29
D. 271,619 11/1983 Herrmann D24/29

Primary Examiner—Catherine E. Kemper
Attorney, Agent, or Firm—James L. Wilcox

[57] **CLAIM**

The ornamental design for a fluid container for chemical analyzer or the like, substantially as shown and described.

DESCRIPTION

FIG. 1 is a top front perspective view of a fluid container for chemical analyzer or the like, showing my new design;

FIG. 2 is a top plan view thereof;

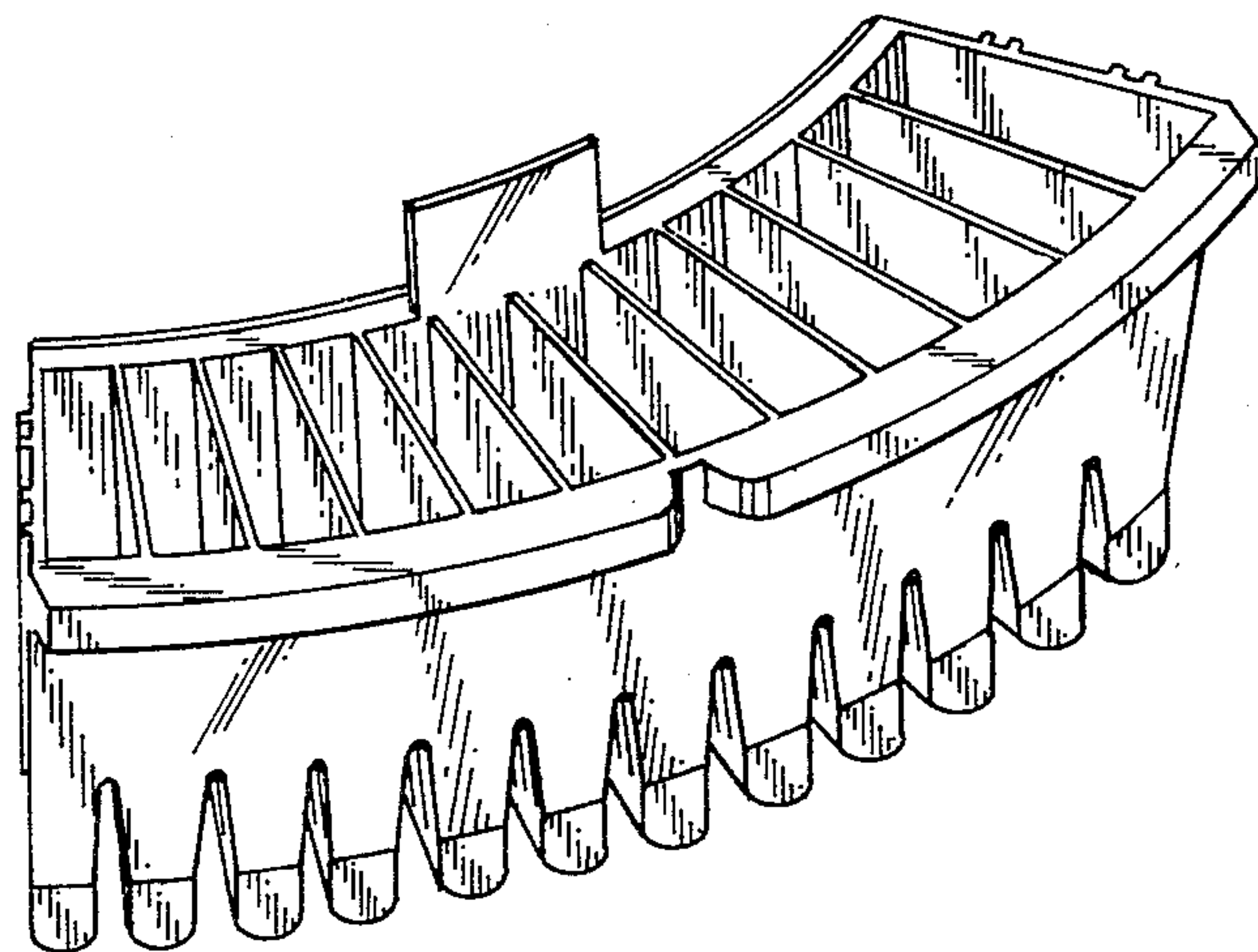
FIG. 3 is a front elevational view thereof;

FIG. 4 is a bottom plan view thereof;

FIG. 5 is a rear elevational view thereof;

FIG. 6 is a left side elevational view thereof; and

FIG. 7 is a right side elevational view thereof.



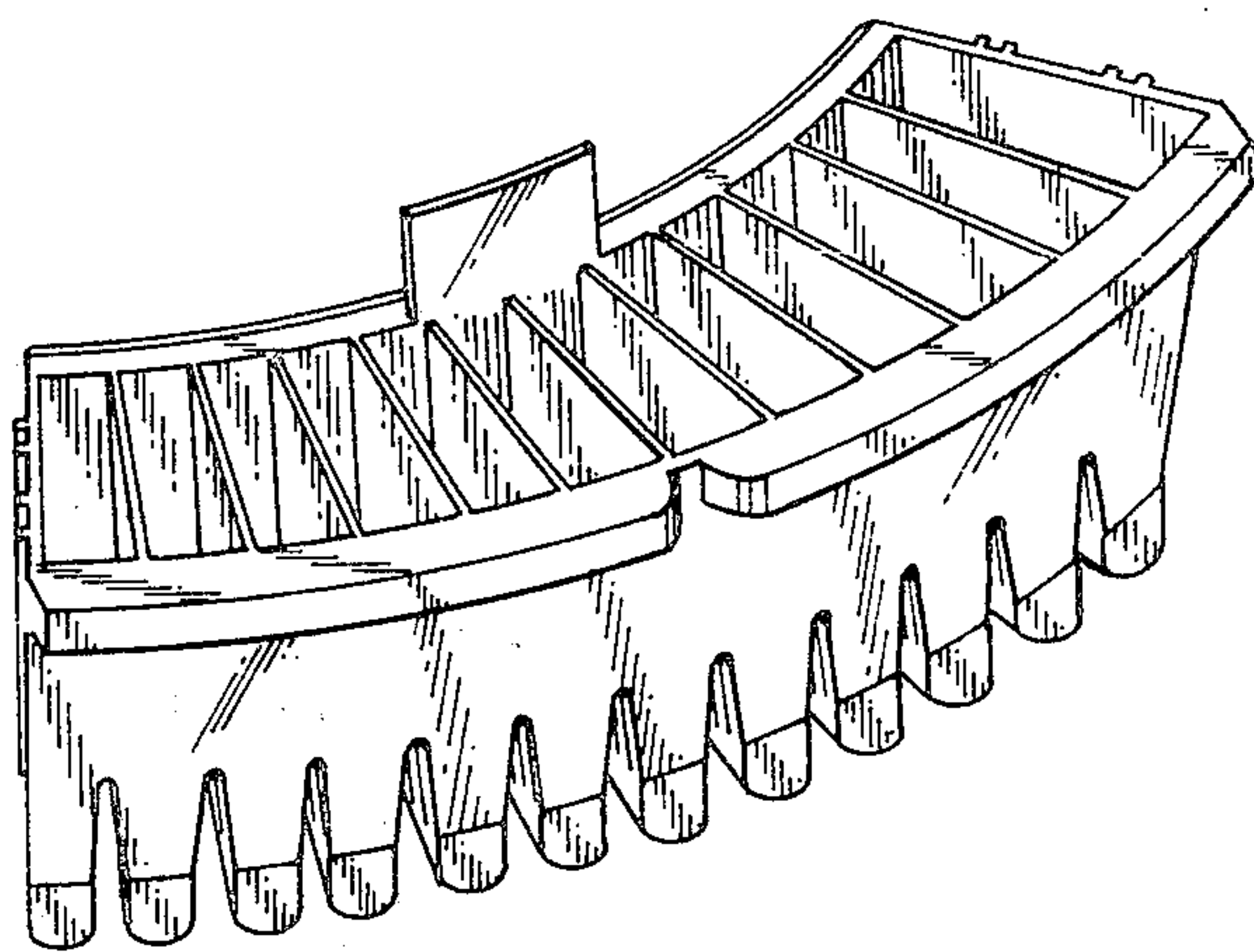


FIG. 1

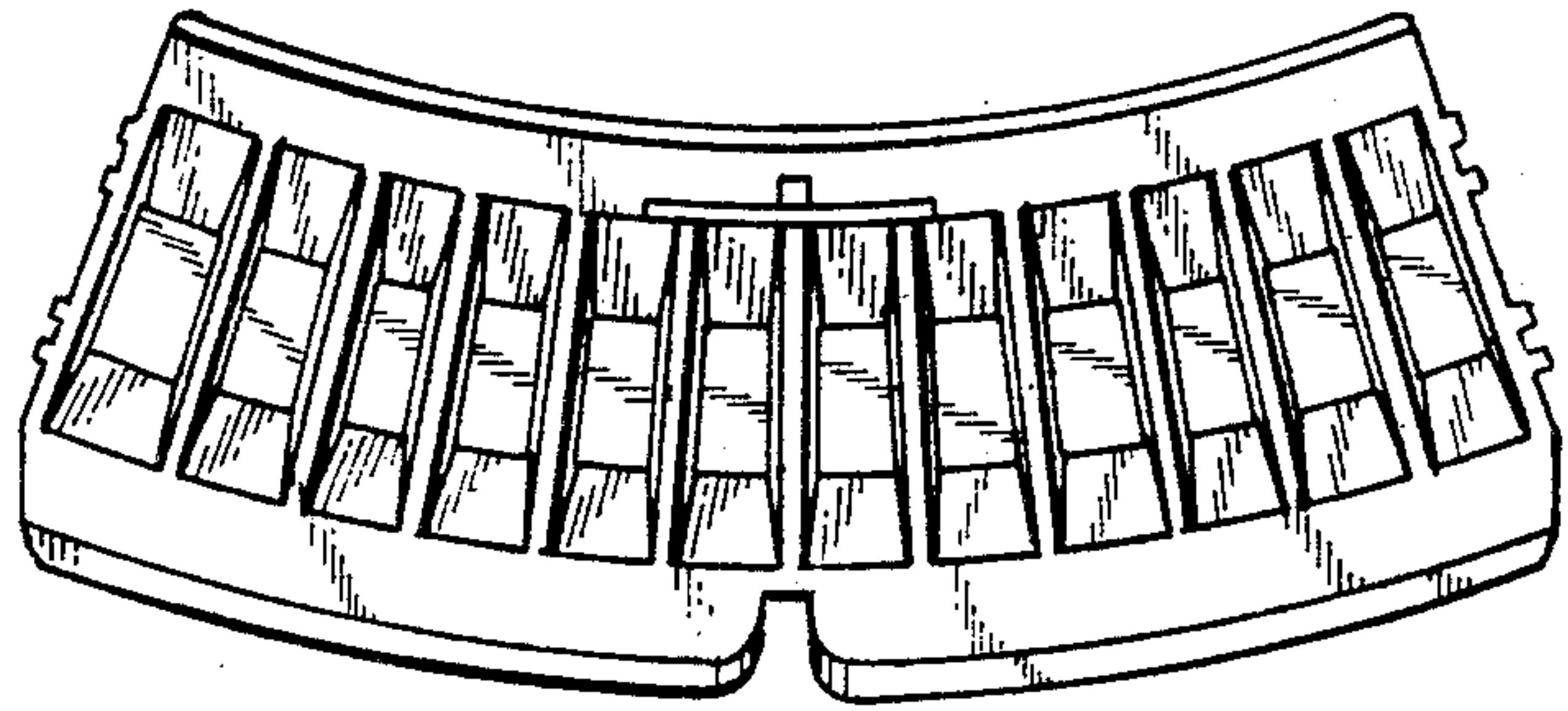


FIG. 2

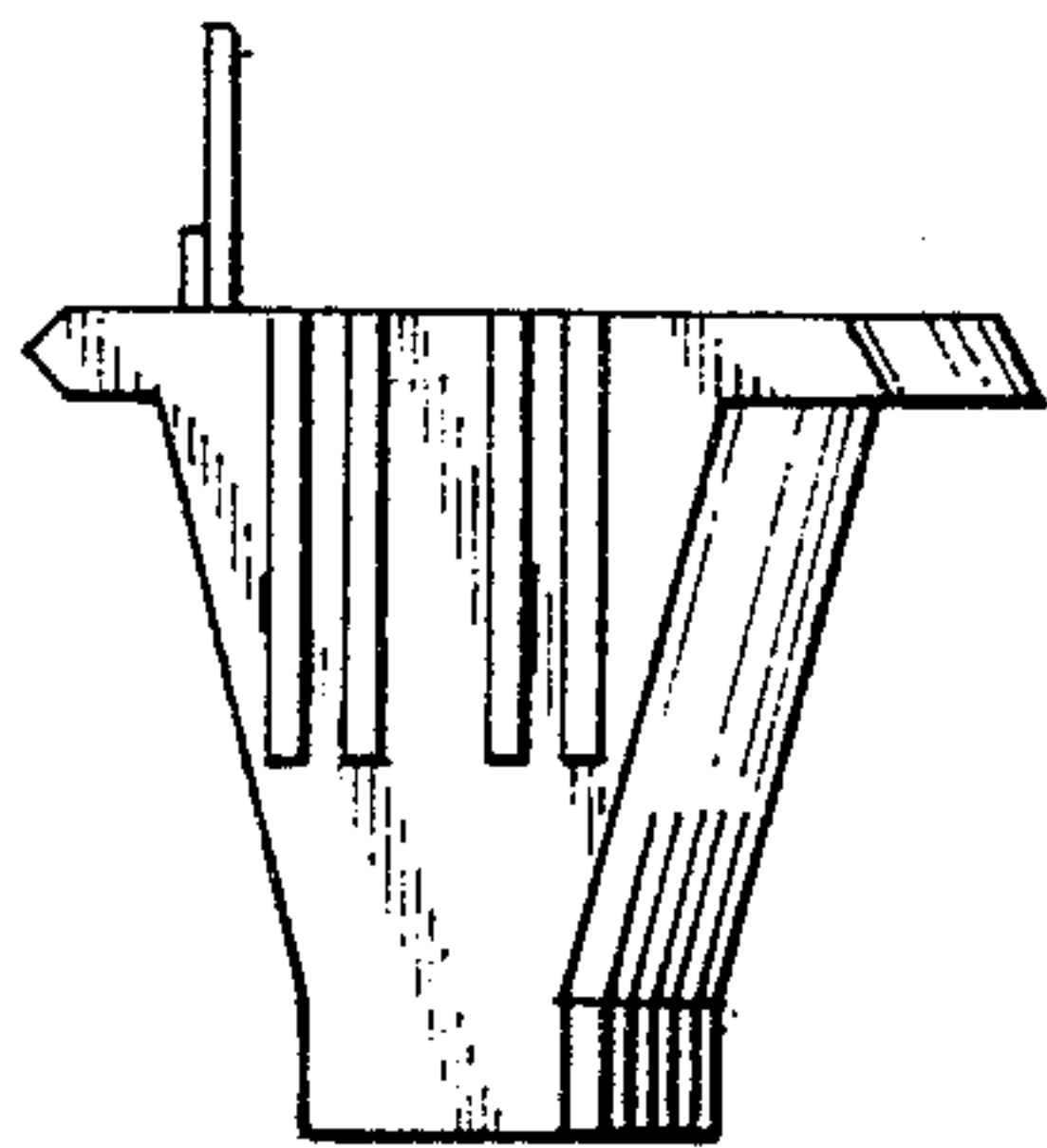


FIG. 6

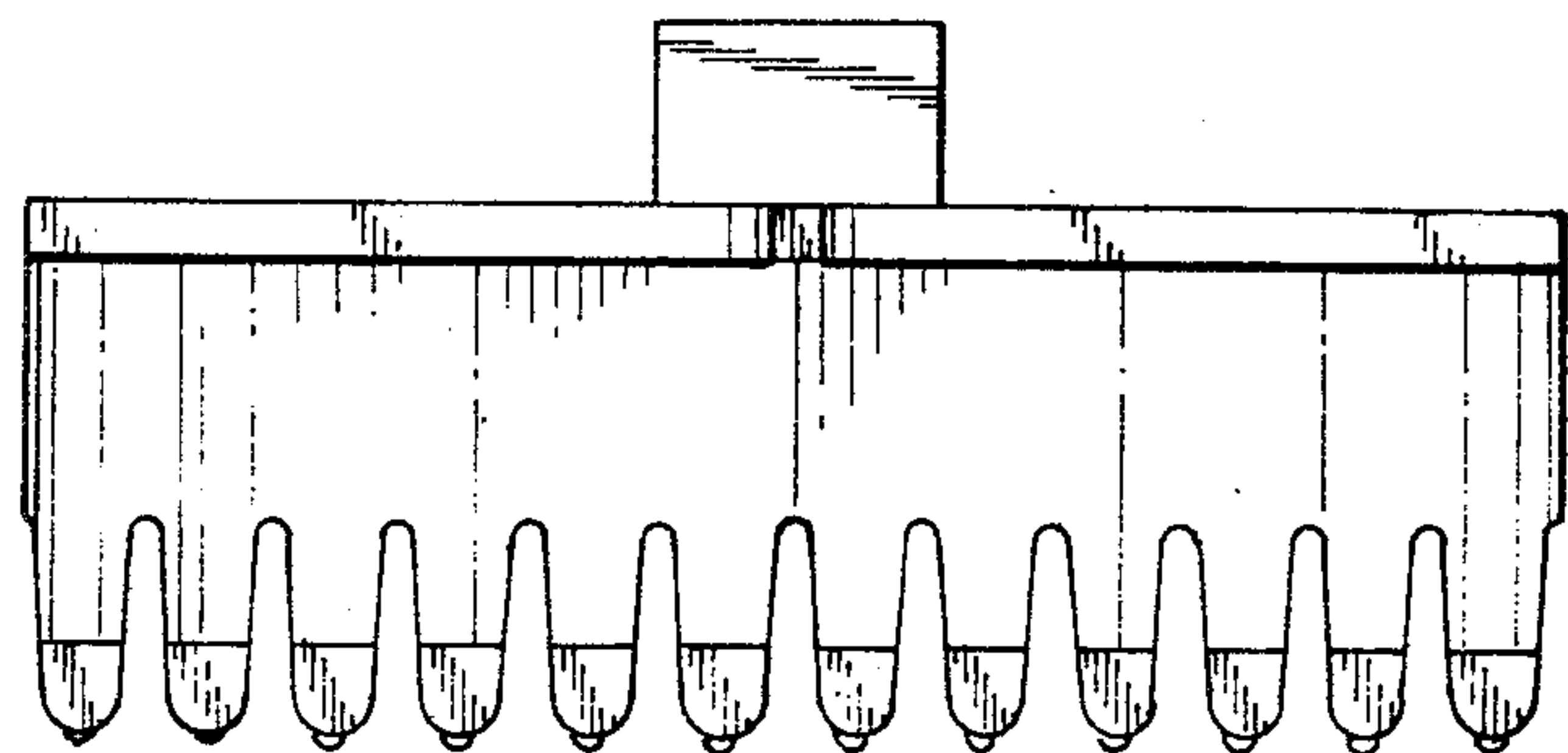


FIG. 3

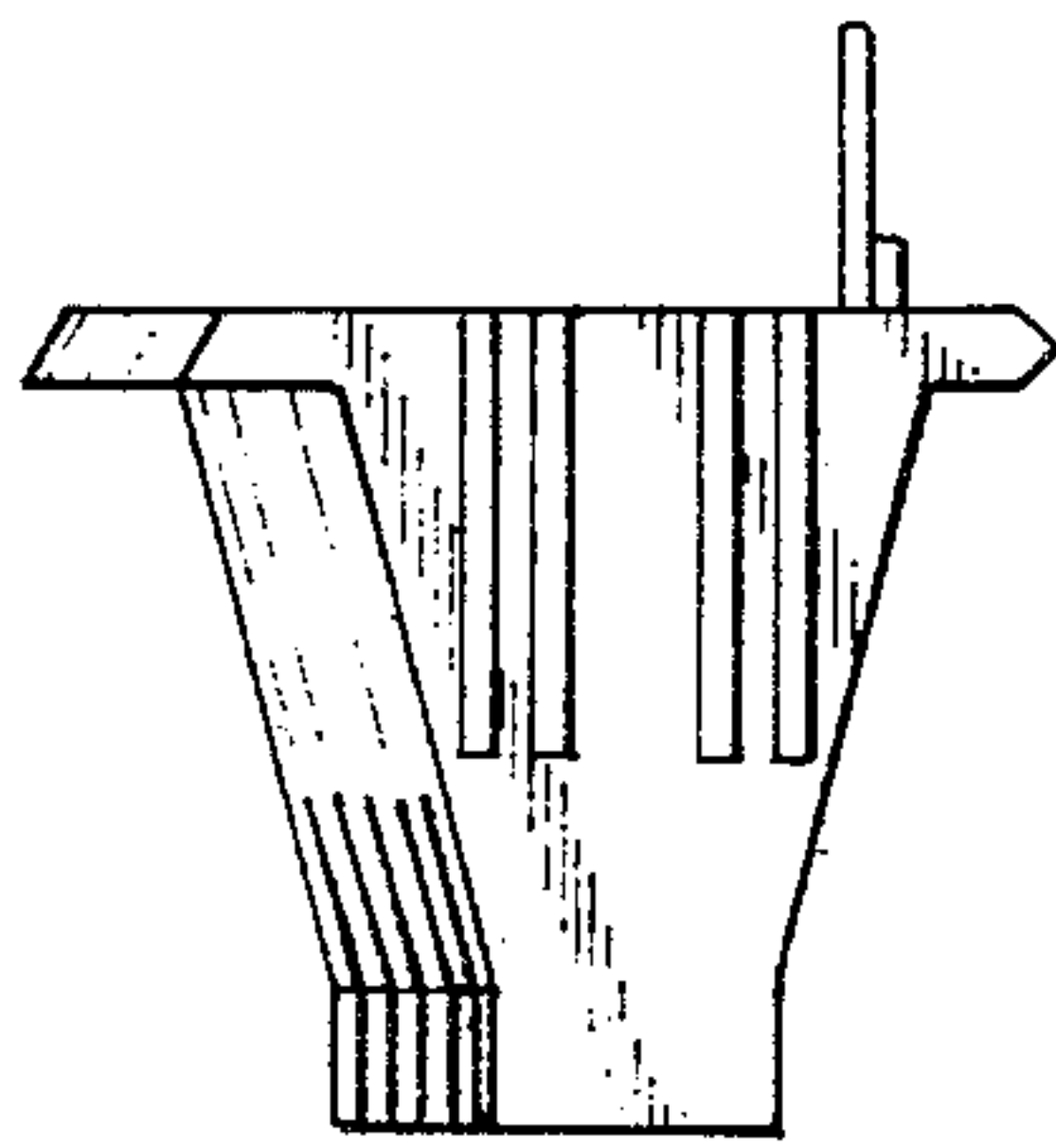


FIG. 7

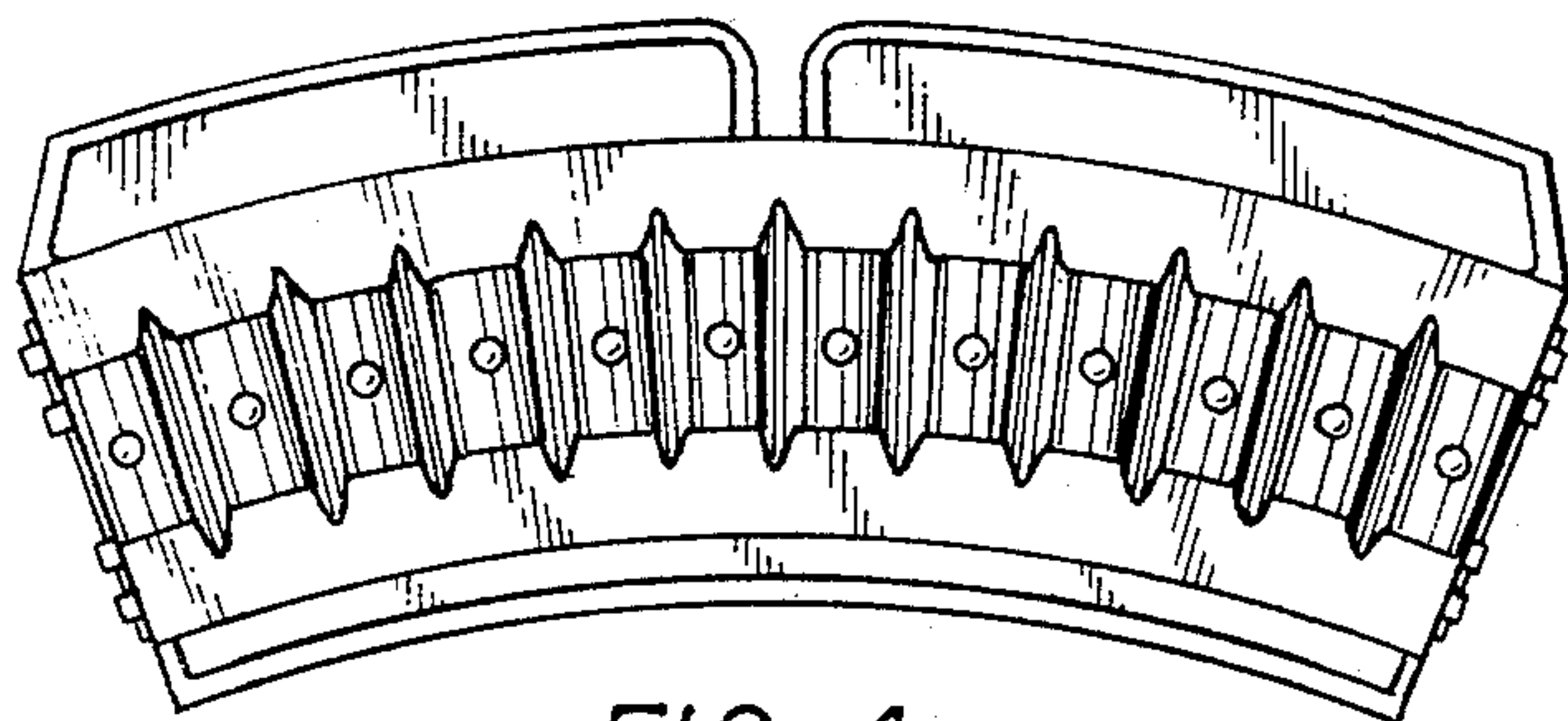


FIG. 4

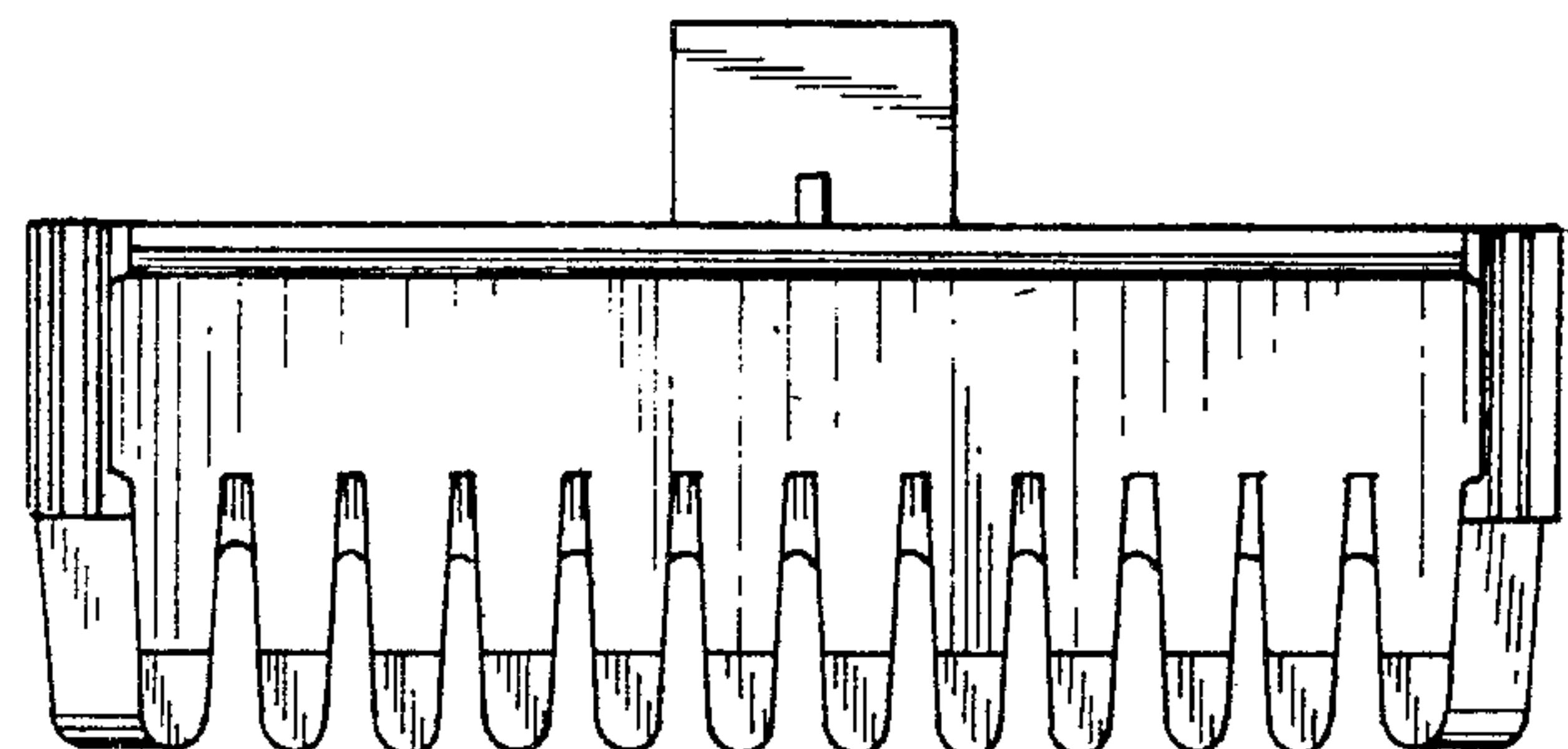


FIG. 5