

[54] OPTICAL COUPLER FOR AN ARTHOSCOPE OR SIMILAR ARTICLE

[75] Inventors: Richard E. Feinbloom; Melvin Levine, both of New York; Lung T. Yee, Brooklyn; Kai Leung, New York, all of

[73] Assignee: Designs for Vision, Inc., Ronkonkoma, N.Y.

[**] Term: 14 Years

[21] Appl. No.: 605,264

[22] Filed: Apr. 30, 1984

[52] U.S. Cl. D24/17; D16/130

[58] Field of Search D24/8, 17, 29; D16/134, D16/136, 130, 38; 128/4-9, 303.15, 329; 350/96.15; 358/98; 354/62, 79; 403/342

[56]

References Cited

U.S. PATENT DOCUMENTS

D. 272,849	2/1984	Bel et al.	D24/17 X
D. 276,532	11/1984	Feinbloom	D16/130
D. 276,533	11/1984	Feinbloom	D16/130
3,138,060	6/1964	Eggert et al.	D16/134 X
3,900,021	8/1975	Makepeace et al.	128/4
4,241,729	12/1980	Aoshiro	128/4
4,277,197	7/1981	Bingham	403/342 X

Primary Examiner—A. Hugo Word
Assistant Examiner—Stella M. Reid
Attorney, Agent, or Firm—Arthur L. Plevy

[57]

CLAIM

The ornamental design for an optical coupler for an arthroscope or similar article, substantially as shown and described.

DESCRIPTION

FIG. 1 is a perspective view of an optical coupler for an arthroscope or similar article showing our new design; FIG. 2 is a side elevational view thereof; FIG. 3 is a front elevational view thereof; FIG. 4 is a rear elevational view thereof.

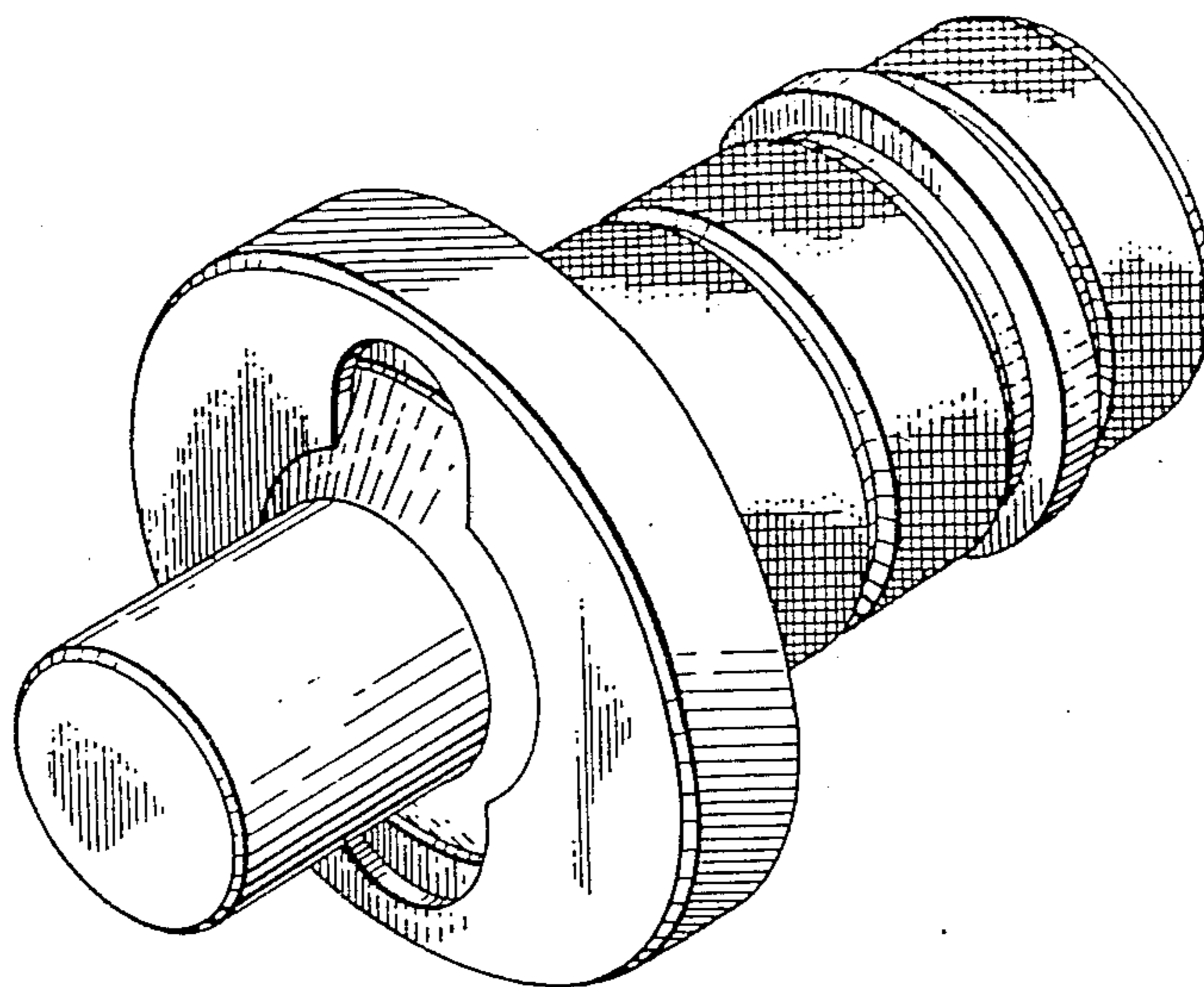


FIG. 1

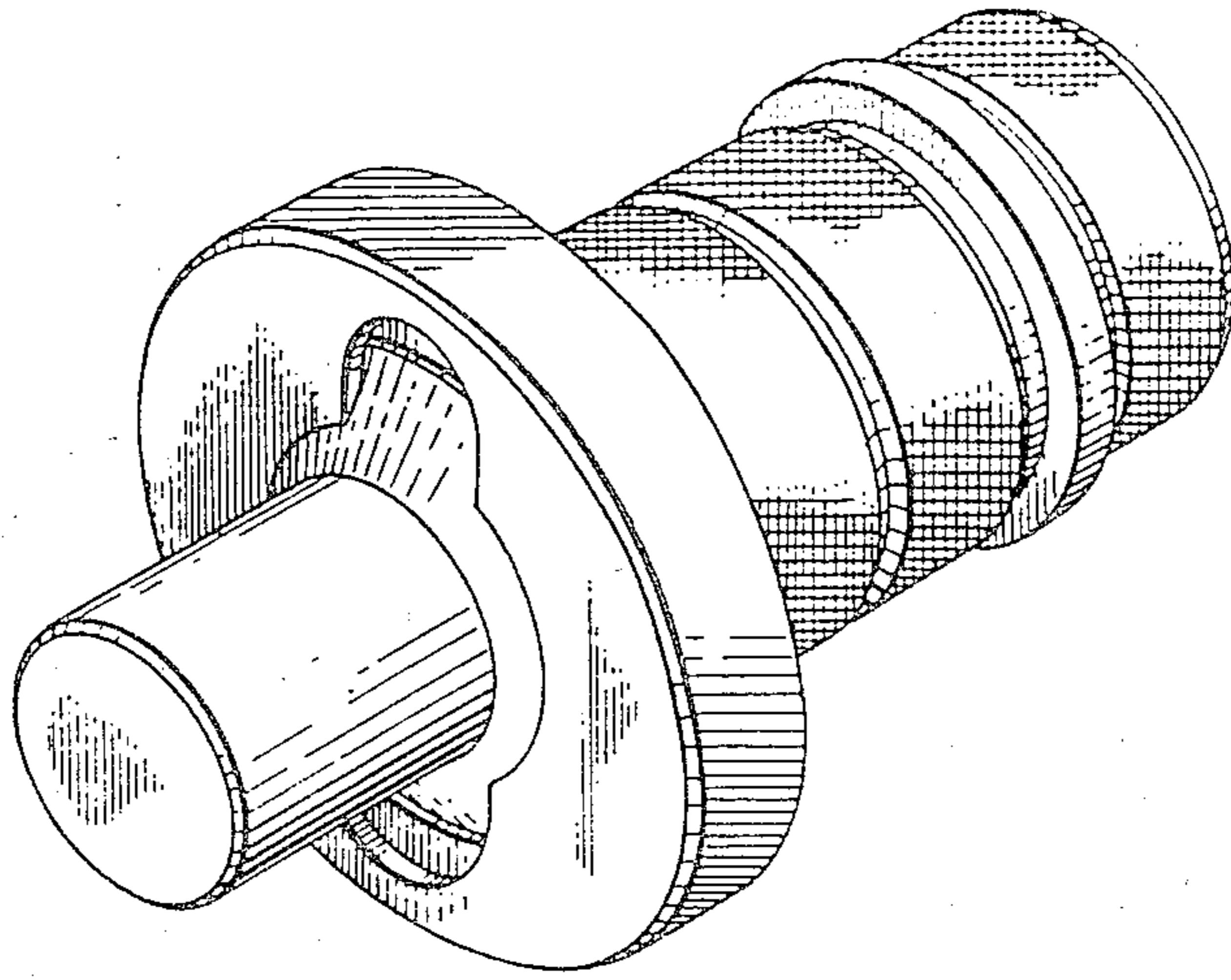


FIG. 2

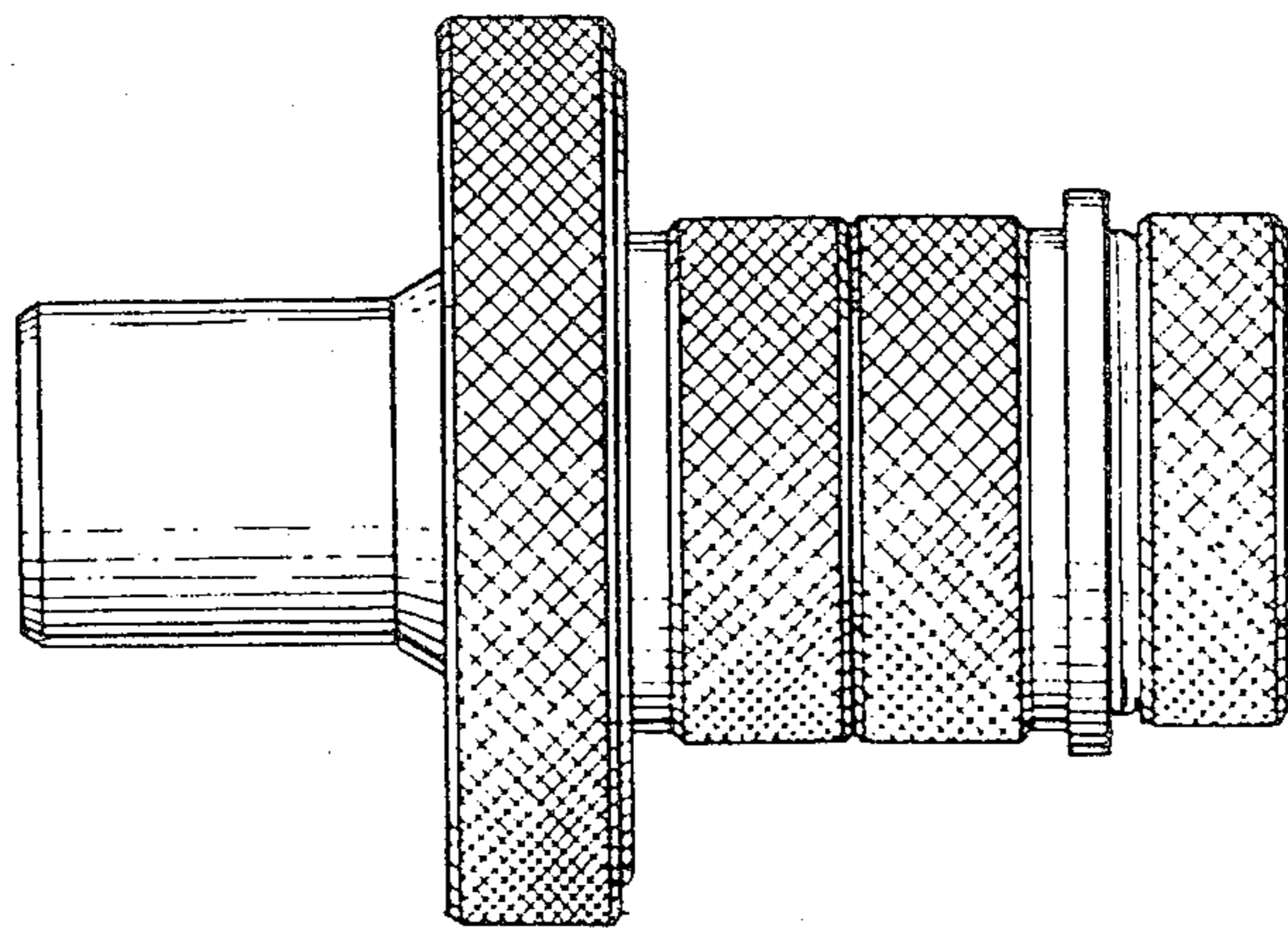


FIG. 3

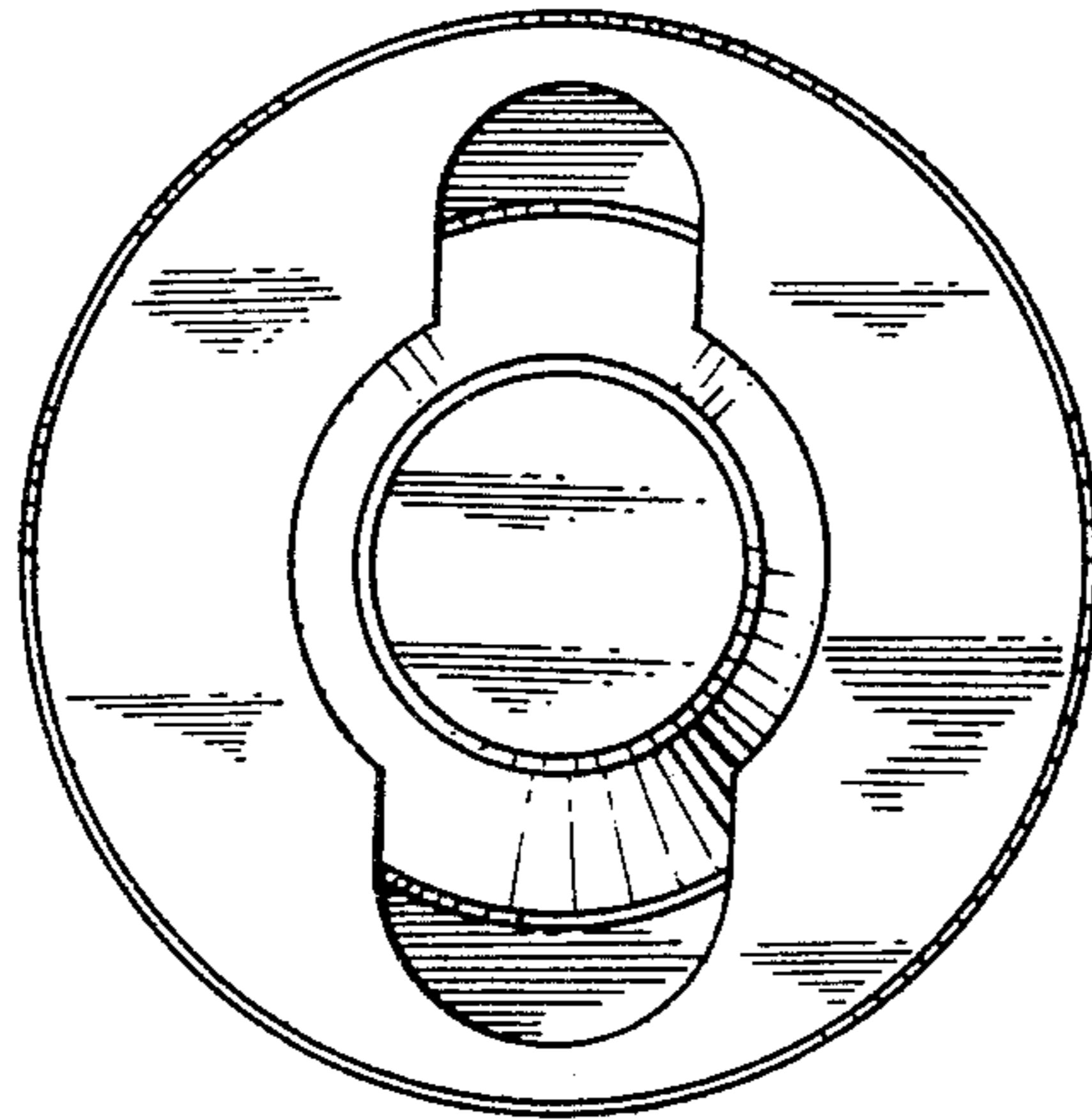


FIG. 4

