

[54] **OPERATING TABLE**

[75] **Inventors:** John L. Wilson, N. Hollywood;
Nolan M. Maples, Burbank, both of Calif.

[73] **Assignee:** Cal-Surgical, Inc., Sun Valley, Calif.

[**] **Term:** 14 Years

[21] **Appl. No.:** 605,423

[22] **Filed:** Apr. 30, 1984

[52] **U.S. Cl.** D24/3

[58] **Field of Search** D24/1.1, 3;
269/322-328

[56] **References Cited**

U.S. PATENT DOCUMENTS

2,609,261 9/1952 Parker 269/327
3,540,719 11/1970 Romney et al. 269/324

4,045,011 8/1977 Ford 269/328

FOREIGN PATENT DOCUMENTS

2088216 6/1982 United Kingdom 269/323

Primary Examiner—Catherine E. Kemper
Attorney, Agent, or Firm—Kelly, Bauersfeld & Lowry

[57] **CLAIM**

The ornamental design for an operating table, substantially as shown.

DESCRIPTION

FIG. 1 is a perspective view of an operating table showing our new design;

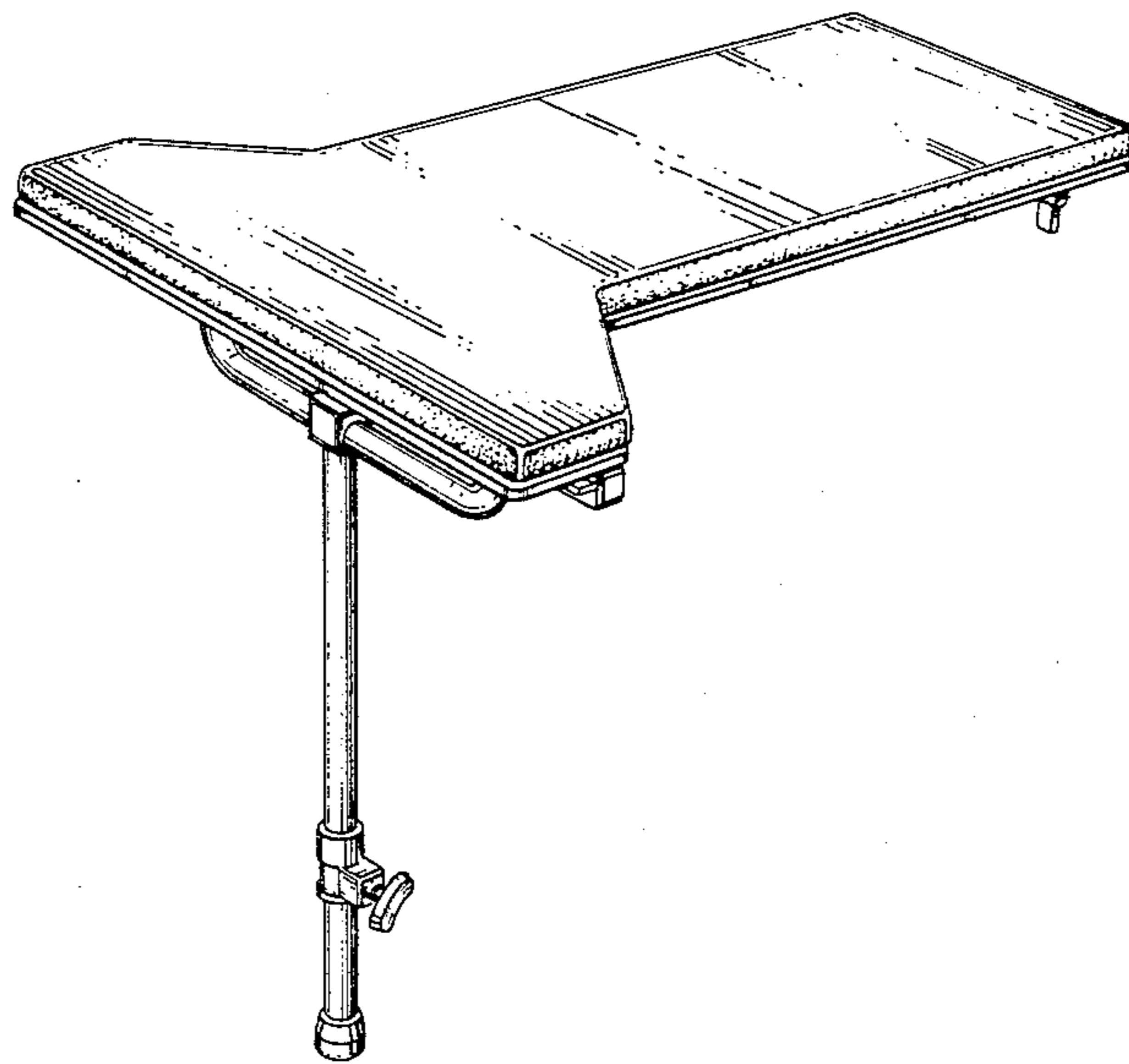
FIG. 2 is a rear elevational view thereof;

FIG. 3 is a side elevational view thereof;

FIG. 4 is a top plan view thereof;

FIG. 5 is a bottom plan view thereof;

FIG. 6 is a front elevational view thereof.



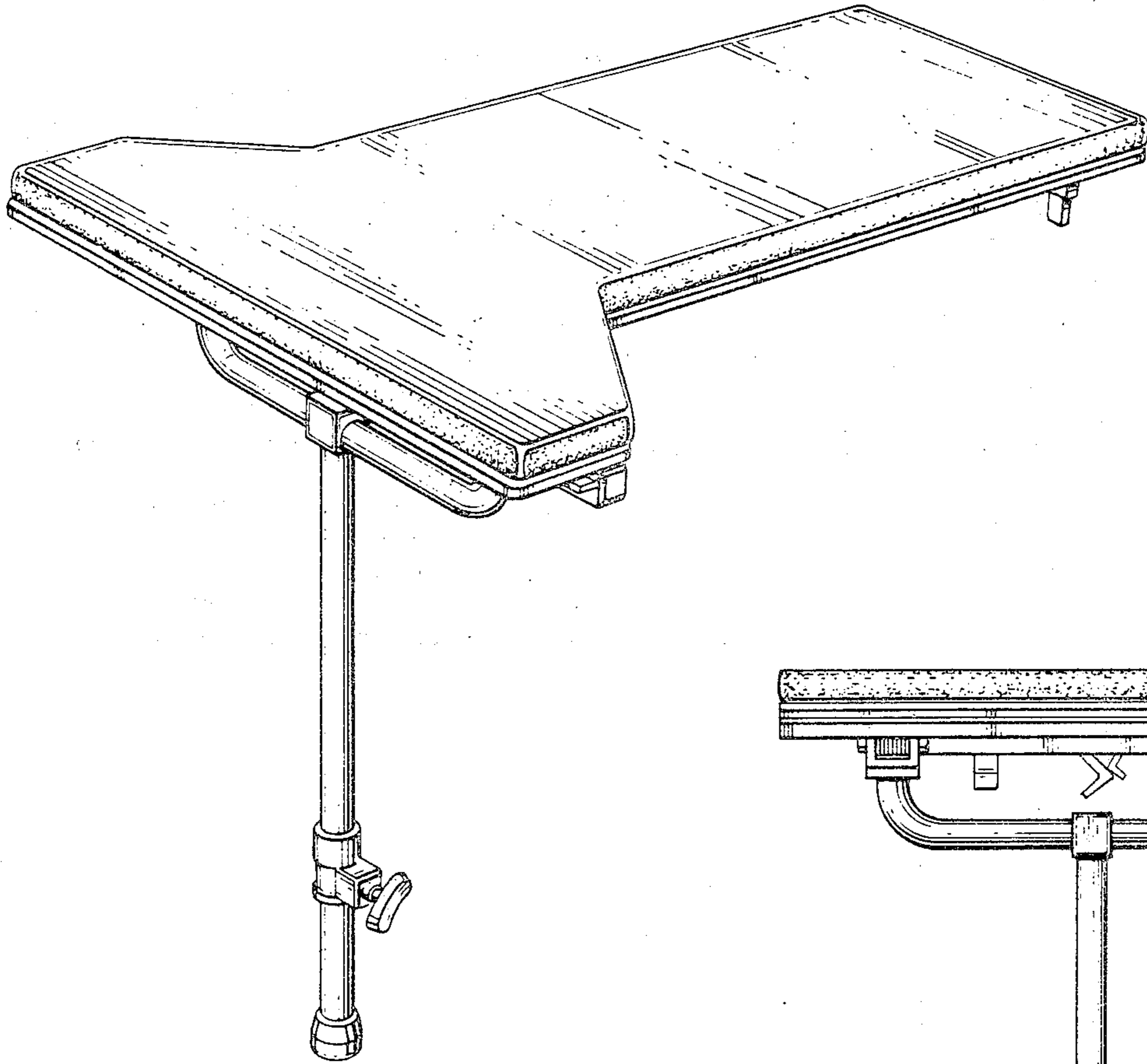


FIG. 1

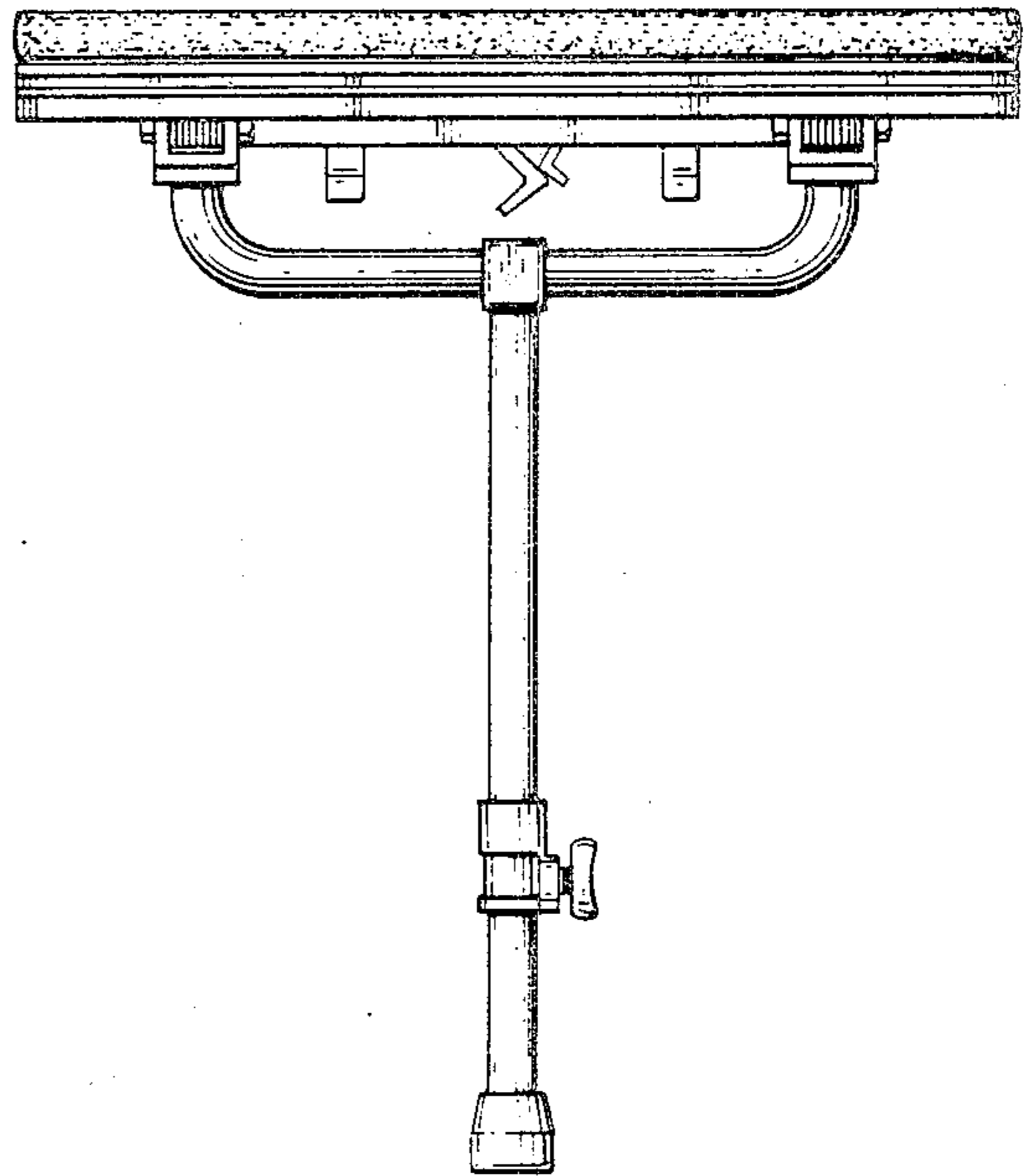


FIG. 2

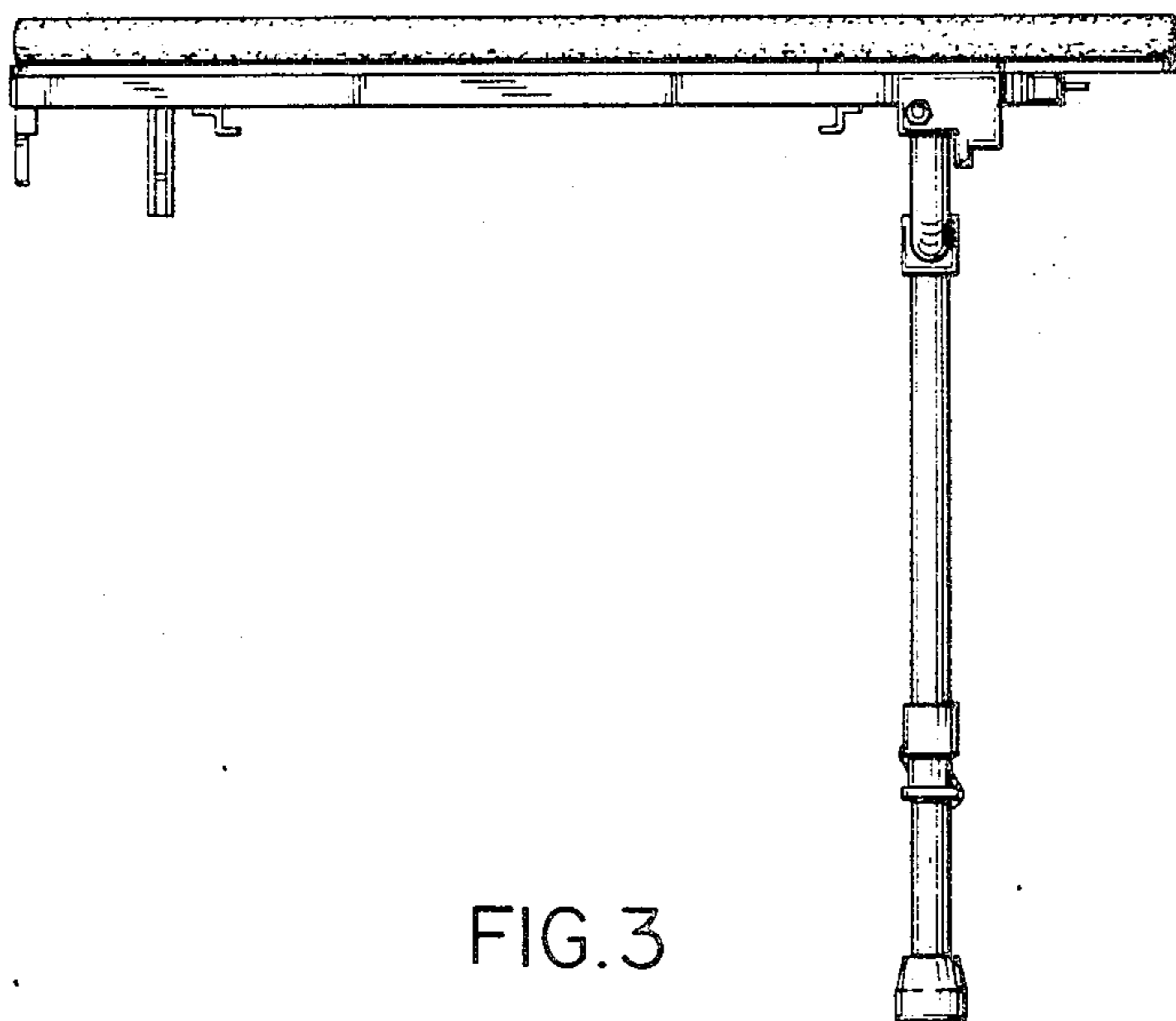


FIG. 3

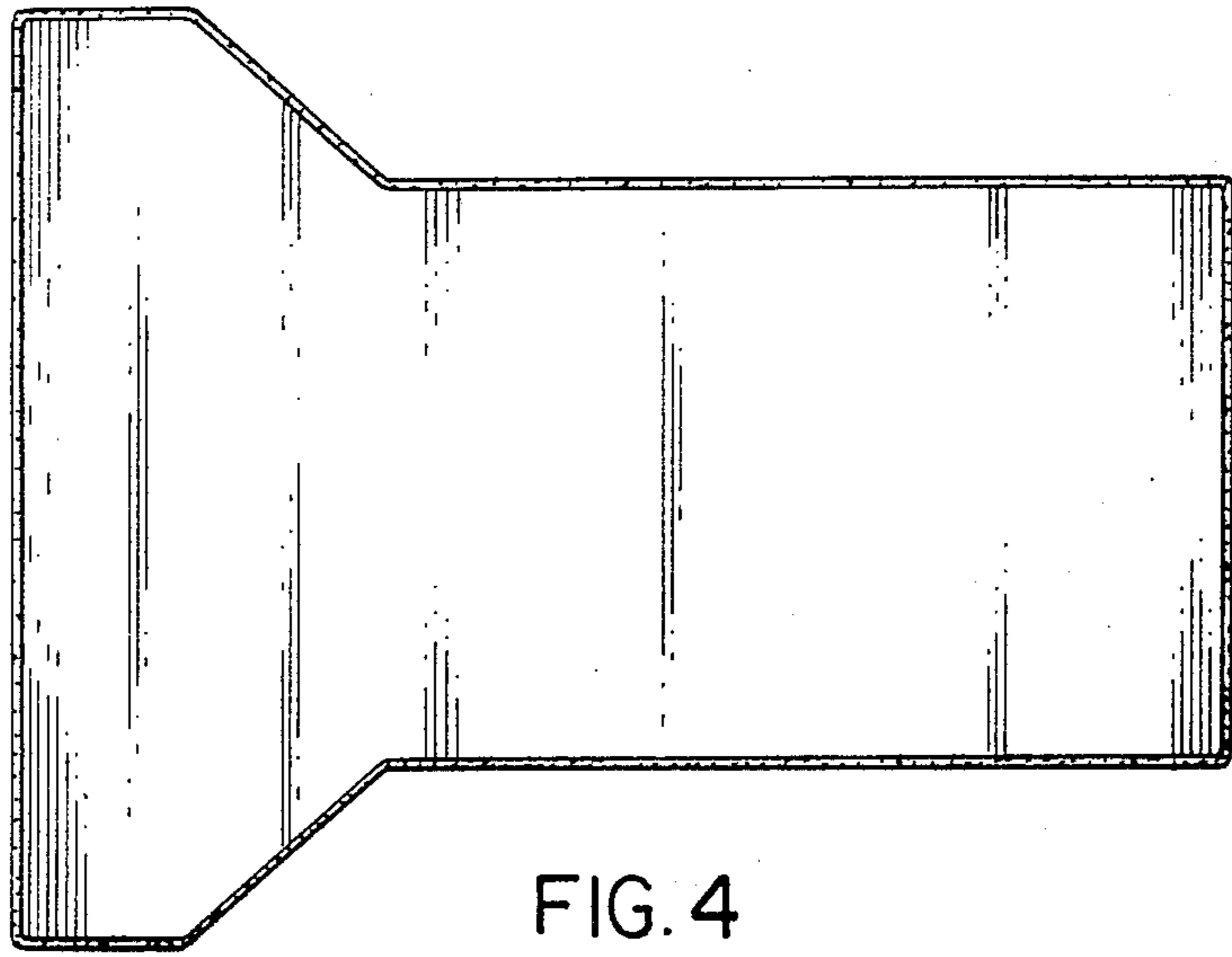


FIG. 4

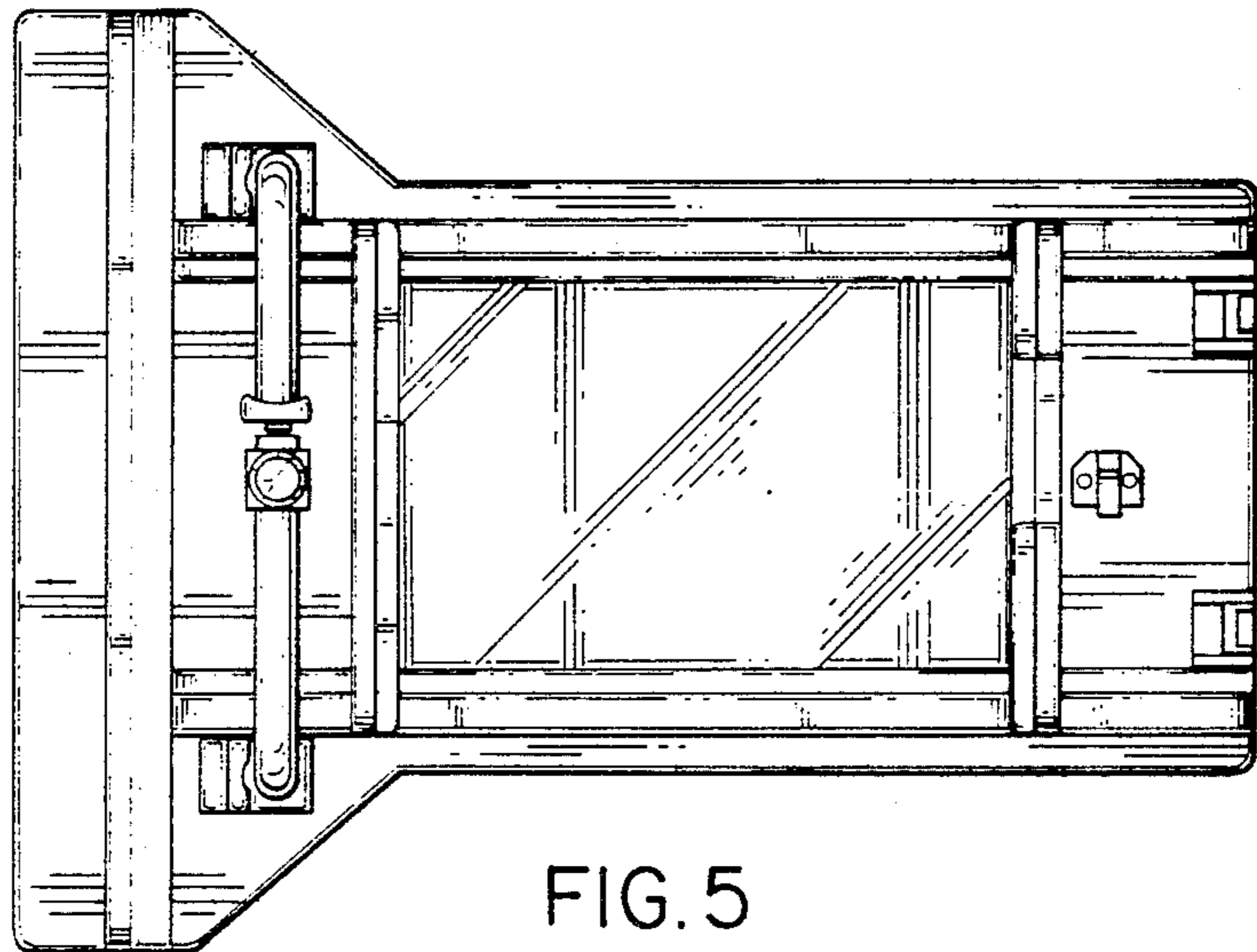


FIG. 5

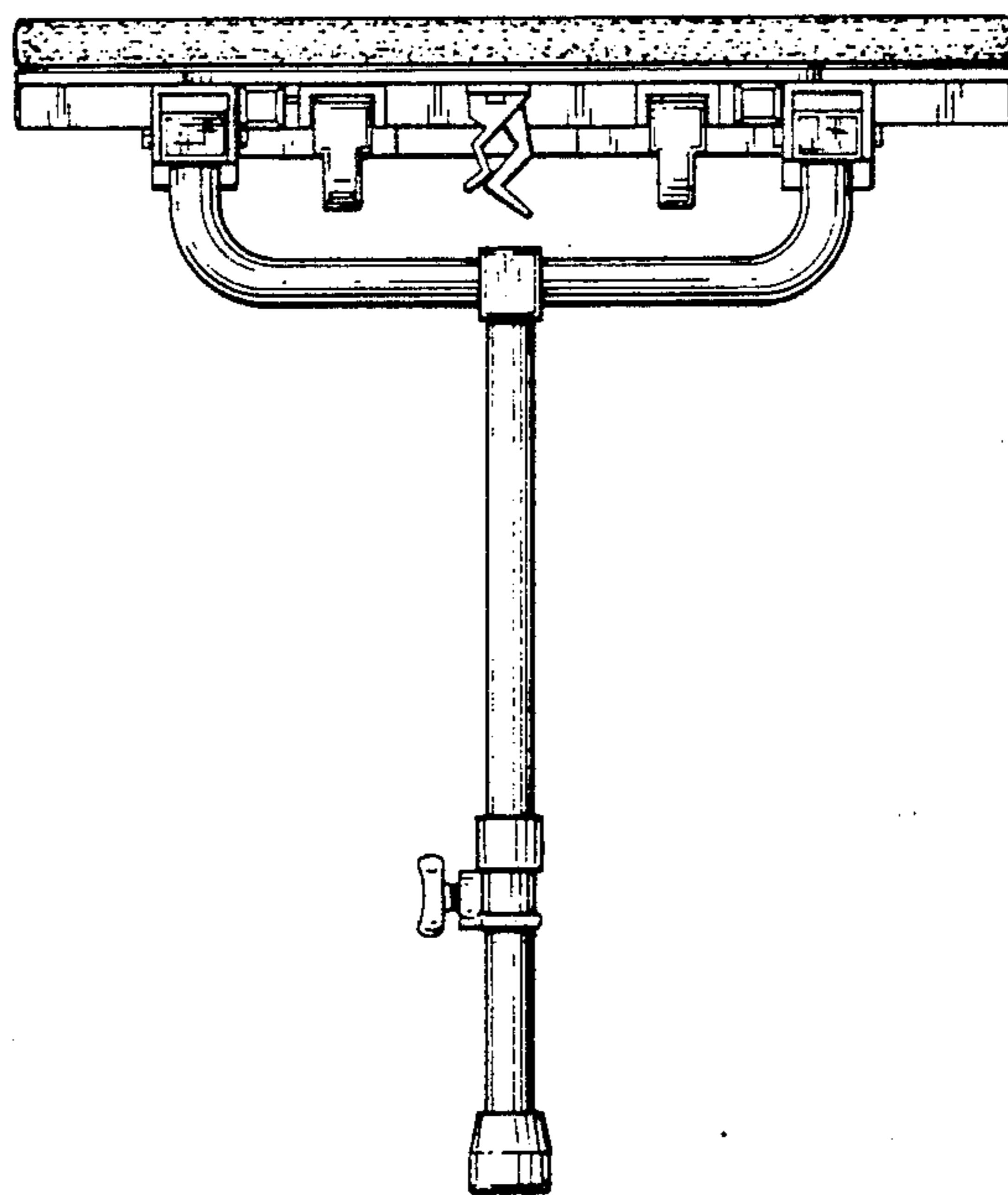


FIG. 6