

[54] ORTHOPEDIC TABLE

[75] Inventors: Thomas Brendgord; Ward L. Sanders; Dennis C. Coon, all of Erie, Pa.

[73] Assignee: American Sterilizer Company, Erie, Pa.

[**] Term: 14 Years

[21] Appl. No.: 586,667

[22] Filed: Mar. 6, 1984

[52] U.S. Cl. D24/3; D24/1.1

[58] Field of Search D24/3, 1.1; 128/33, 128/68, 70, 72-75; D6/361

[56] References Cited

U.S. PATENT DOCUMENTS

D. 243,285	2/1977	Langren	D24/3
D. 260,172	8/1981	Kyle	D24/3
2,244,758	6/1941	Bell	128/70
3,741,200	6/1973	Morin	128/71
3,766,912	10/1973	Daniels	128/71
4,144,880	3/1979	Daniels	128/74 X

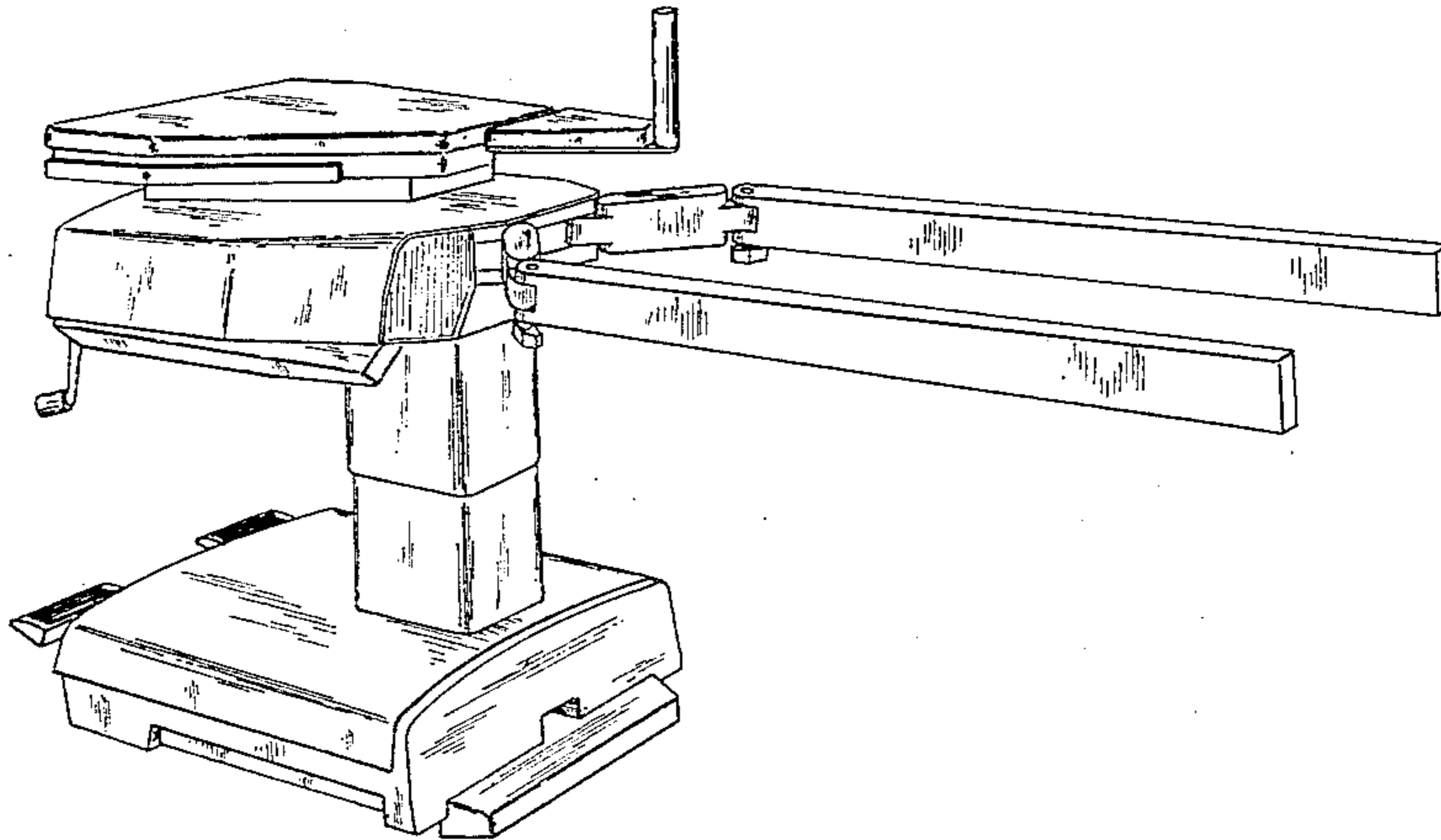
Primary Examiner—A. Hugo Word
Assistant Examiner—Stella M. Reid
Attorney, Agent, or Firm—Robert D. Yeager

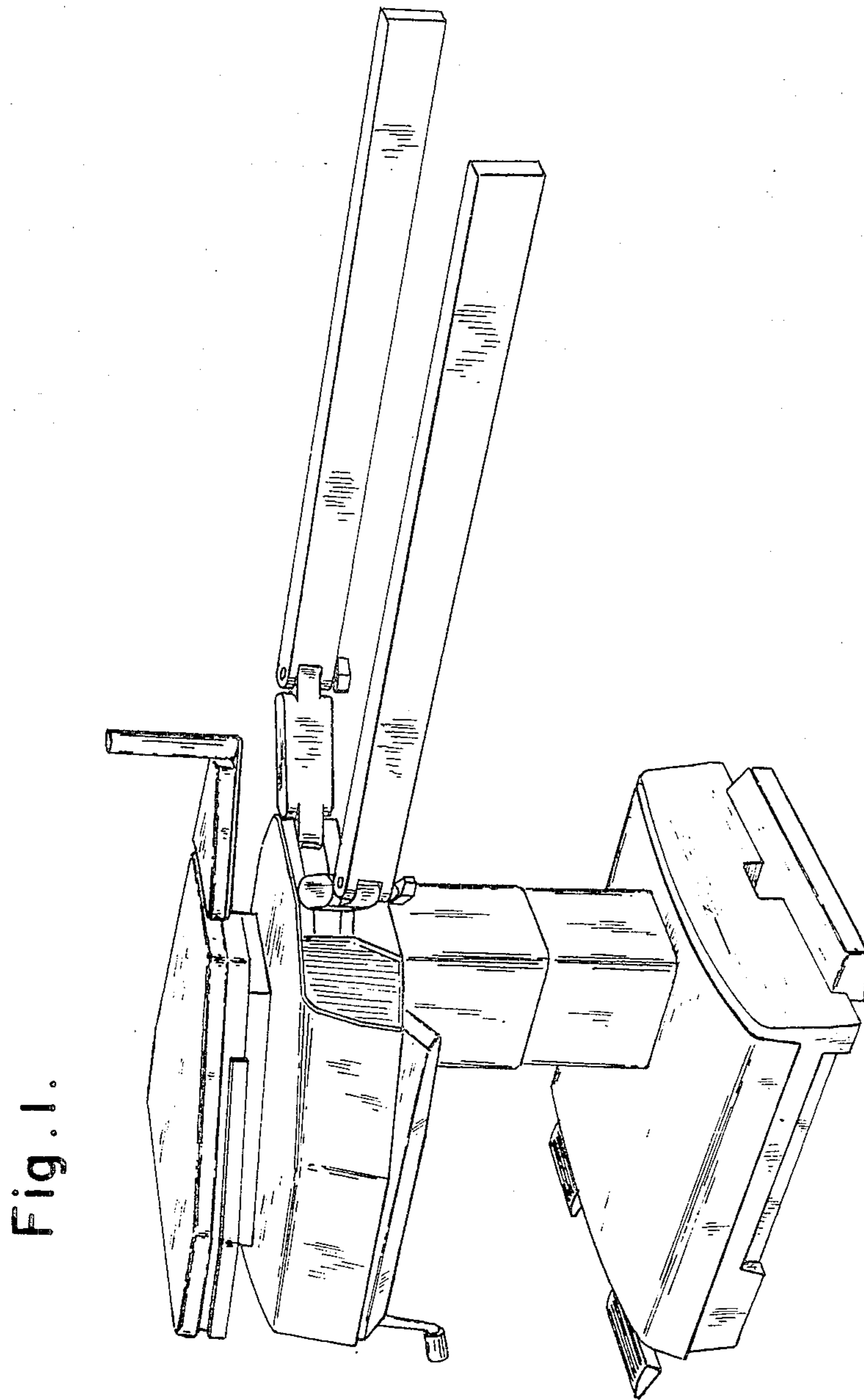
[57] CLAIM

The ornamental design for an orthopedic table, substantially as shown.

DESCRIPTION

FIG. 1 is a perspective view of an orthopedic table embodying the present design;
FIG. 2 is another perspective view of the table shown in FIG. 1;
FIG. 3 is a rear elevational view of the orthopedic table shown in FIG. 1;
FIG. 4 is a front elevational view of the orthopedic table shown in FIG. 1;
FIG. 5 is a top plan view of the orthopedic table shown in FIG. 1;
FIG. 6 is a right side elevational view of the orthopedic table shown in FIG. 1; and
FIG. 7 is a left side elevational view of the orthopedic table shown in FIG. 1.





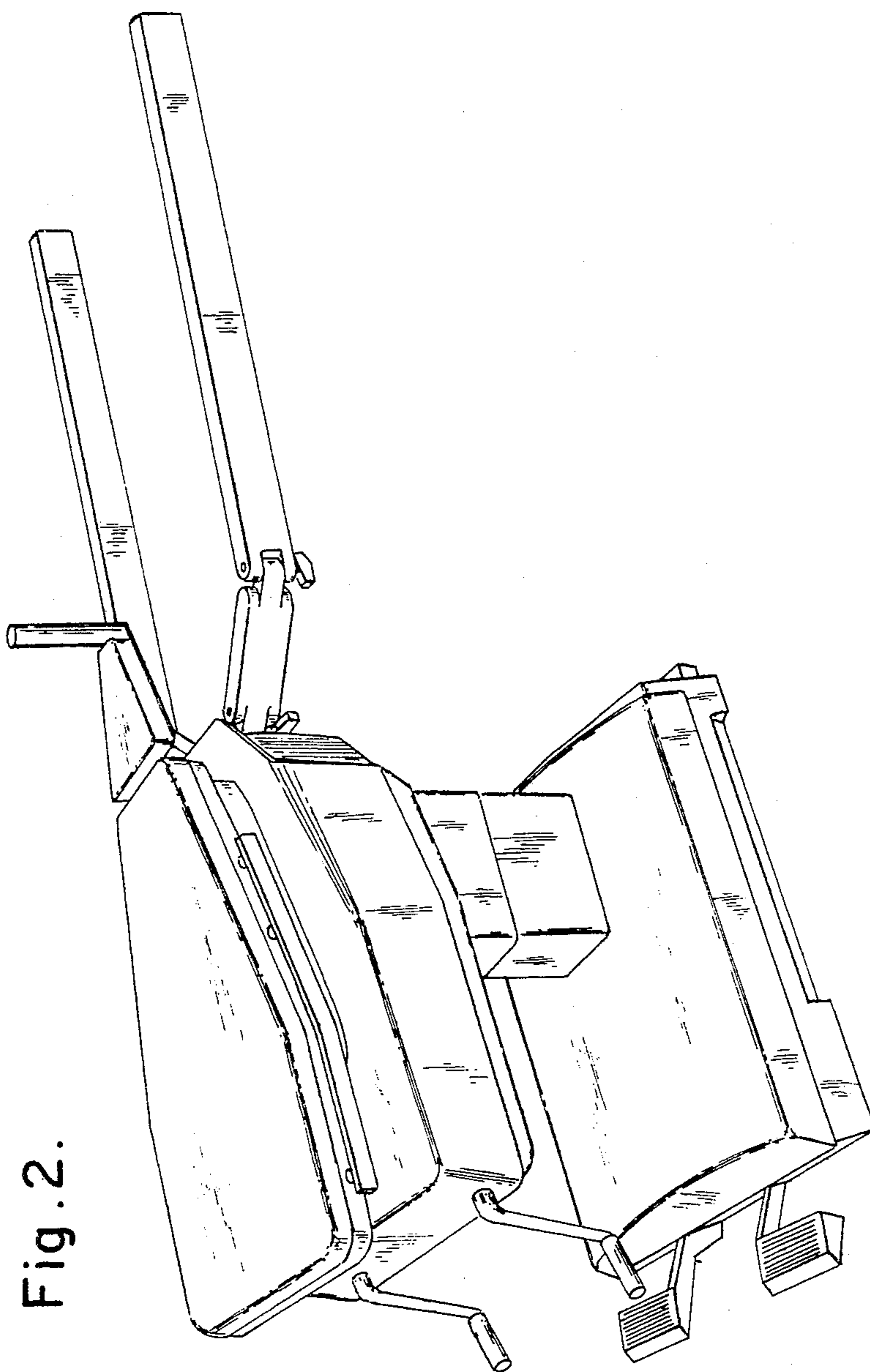


Fig. 2.

Fig. 3.

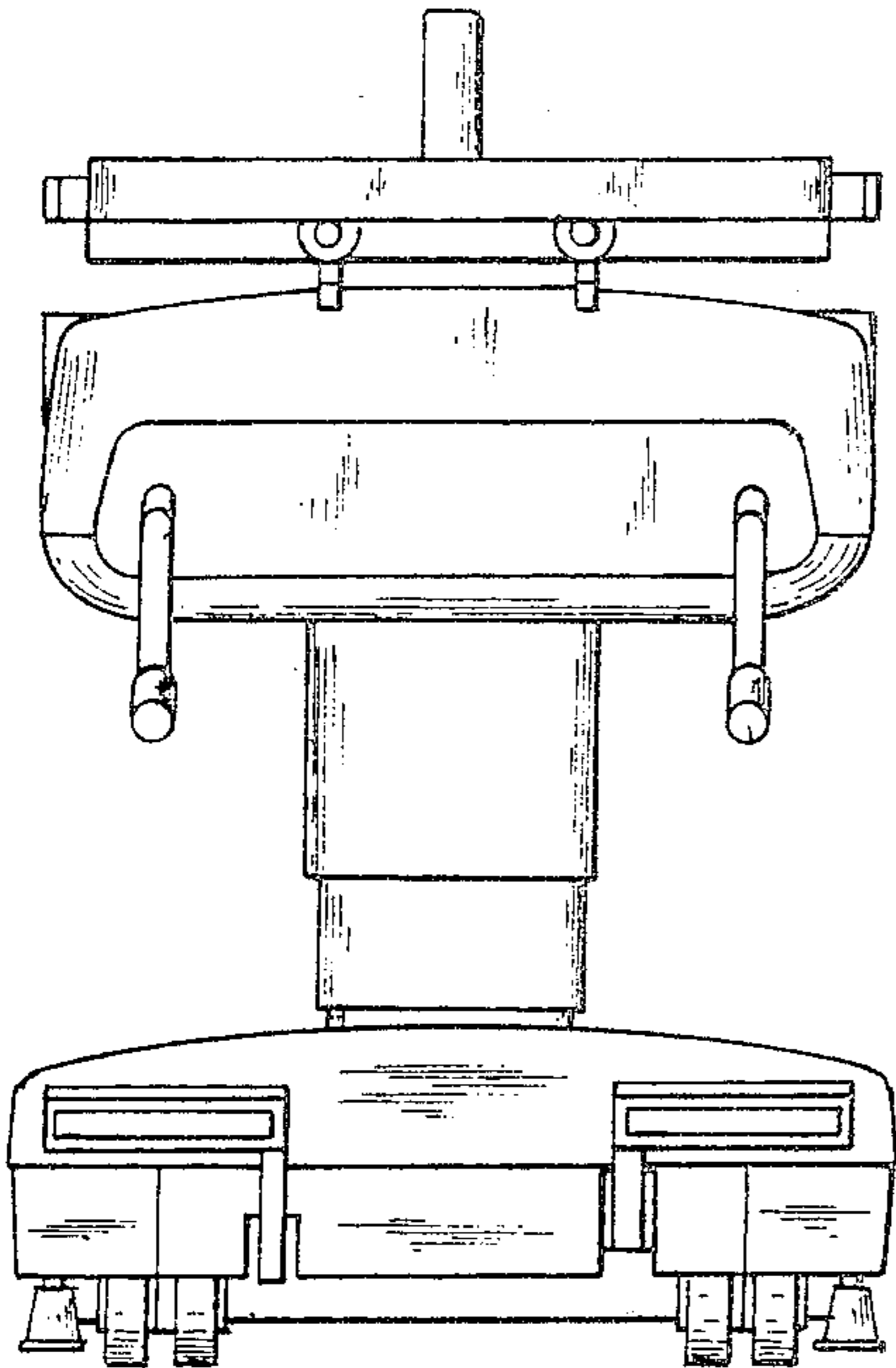


Fig. 4.

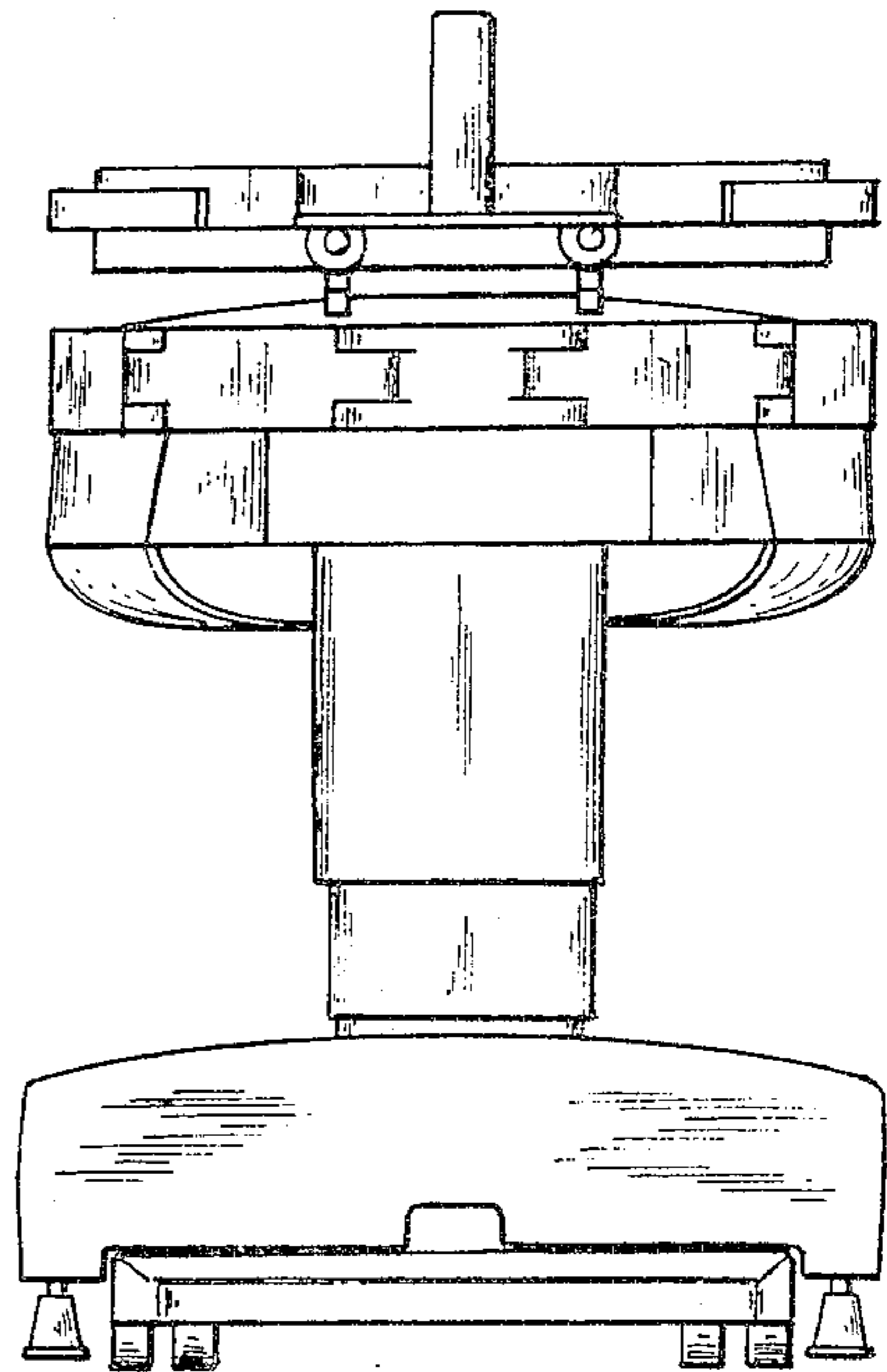


Fig. 5.

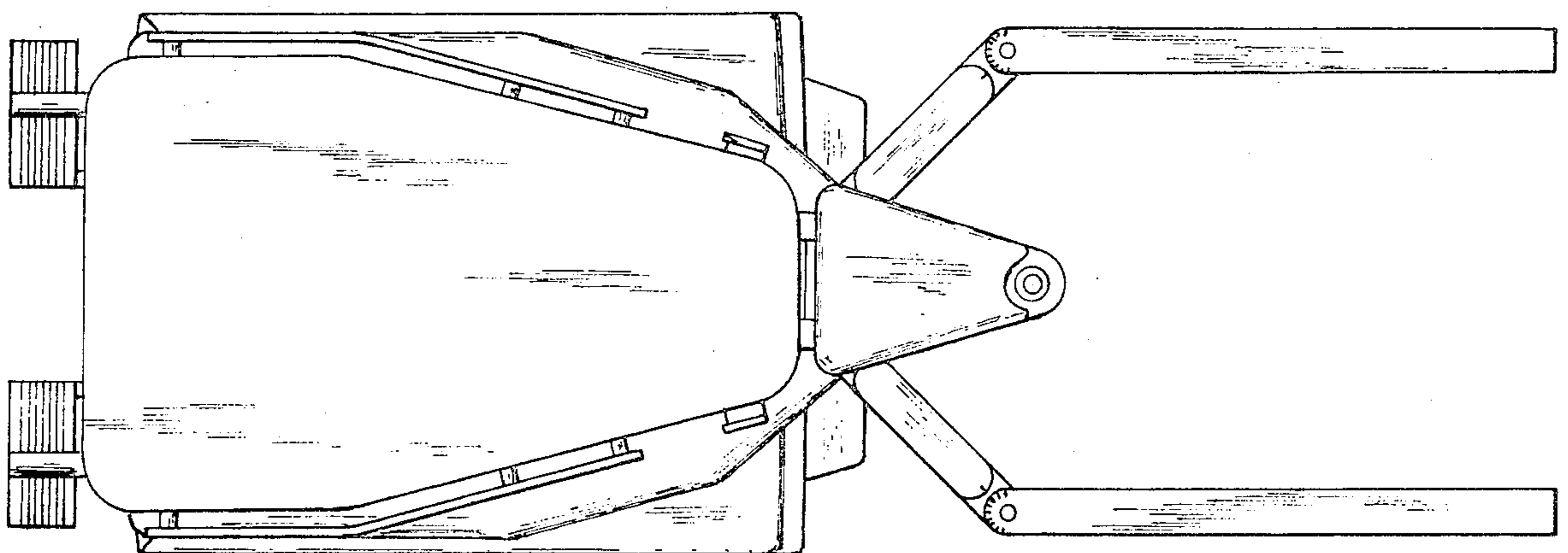


Fig. 6.

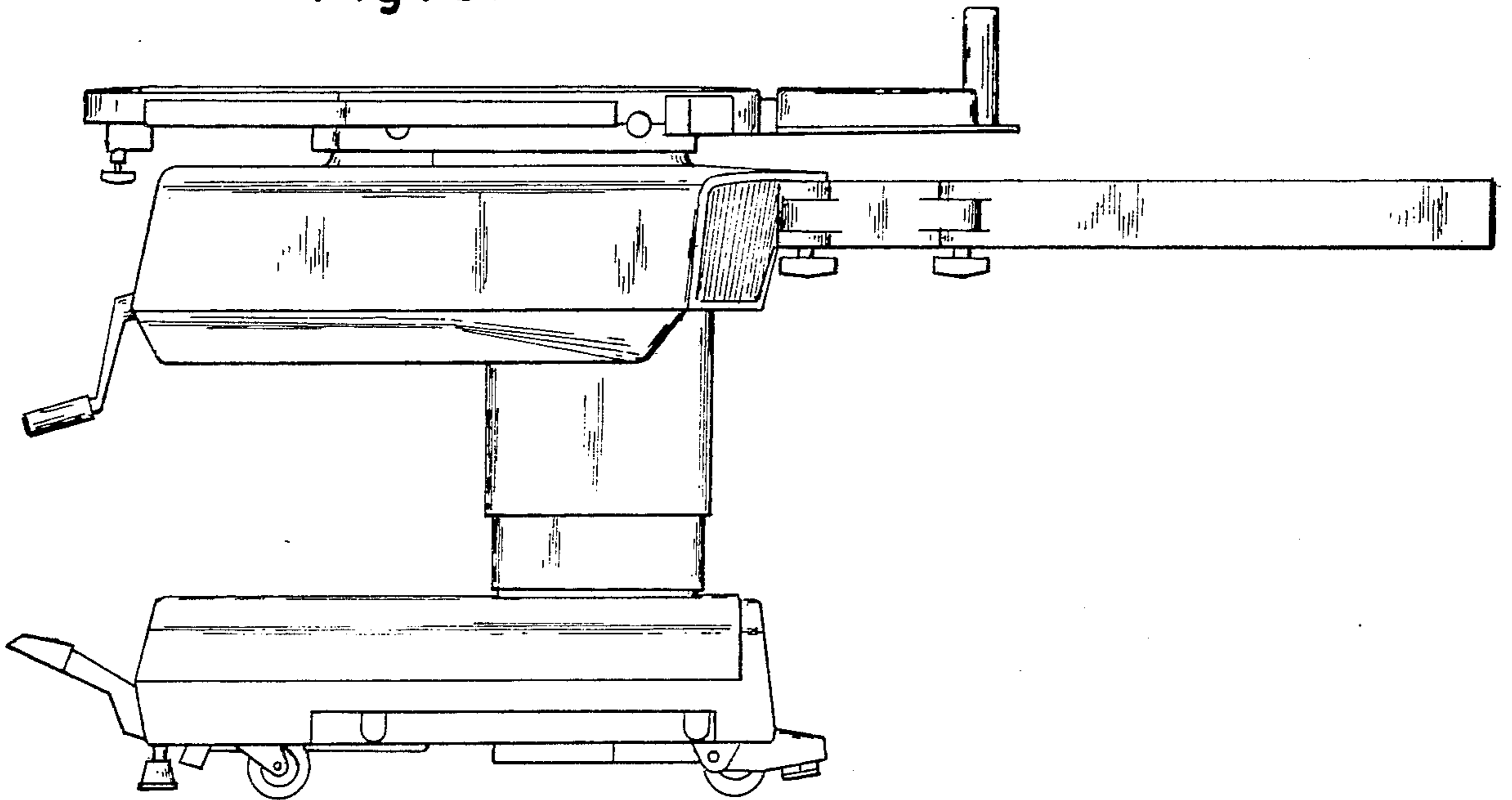


Fig. 7.

