

[54] HYDROTHERAPY POOL

[76] Inventor: Jean-Claude Delepine, 23, rue Clapeyron, 75008 Paris, France

[\*\*] Term: 14 Years

[21] Appl. No.: 564,485

[22] Filed: Dec. 22, 1983

[30] Foreign Application Priority Data

Jun. 27, 1983 [FR] France ..... 83 2392

[52] U.S. Cl. .... D24/38

[58] Field of Search ..... D23/55, 56; D24/38; 4/538, 541-544, 559, 571, 573-579, 584, 589, 590, 592, 594

[56] References Cited

U.S. PATENT DOCUMENTS

D. 240,084 5/1976 Melchior ..... D23/55 X

D. 260,429	8/1981	Myers	.....	D24/38
D. 264,505	5/1982	Reineman	.....	D24/38
D. 267,198	12/1982	Auguet	.....	D24/38
D. 267,271	12/1982	Kingsley et al.	.....	D24/38
D. 277,985	3/1985	Kingsley	.....	D24/38
4,339,833	7/1982	Mandell	.....	4/542
4,466,141	8/1984	Starkey	.....	4/542

Primary Examiner—James R. Largen  
Attorney, Agent, or Firm—Fisher, Christen & Sabol

[57] CLAIM

The ornamental design for a hydrotherapy pool, as shown.

DESCRIPTION

FIG. 1 is a top plan view of a hydrotherapy pool showing my new design;  
FIG. 2 is a cross sectional view taken on line 2—2 of FIG. 1;  
FIG. 3 is a top perspective view thereof; and  
FIG. 4 is another top perspective view thereof.

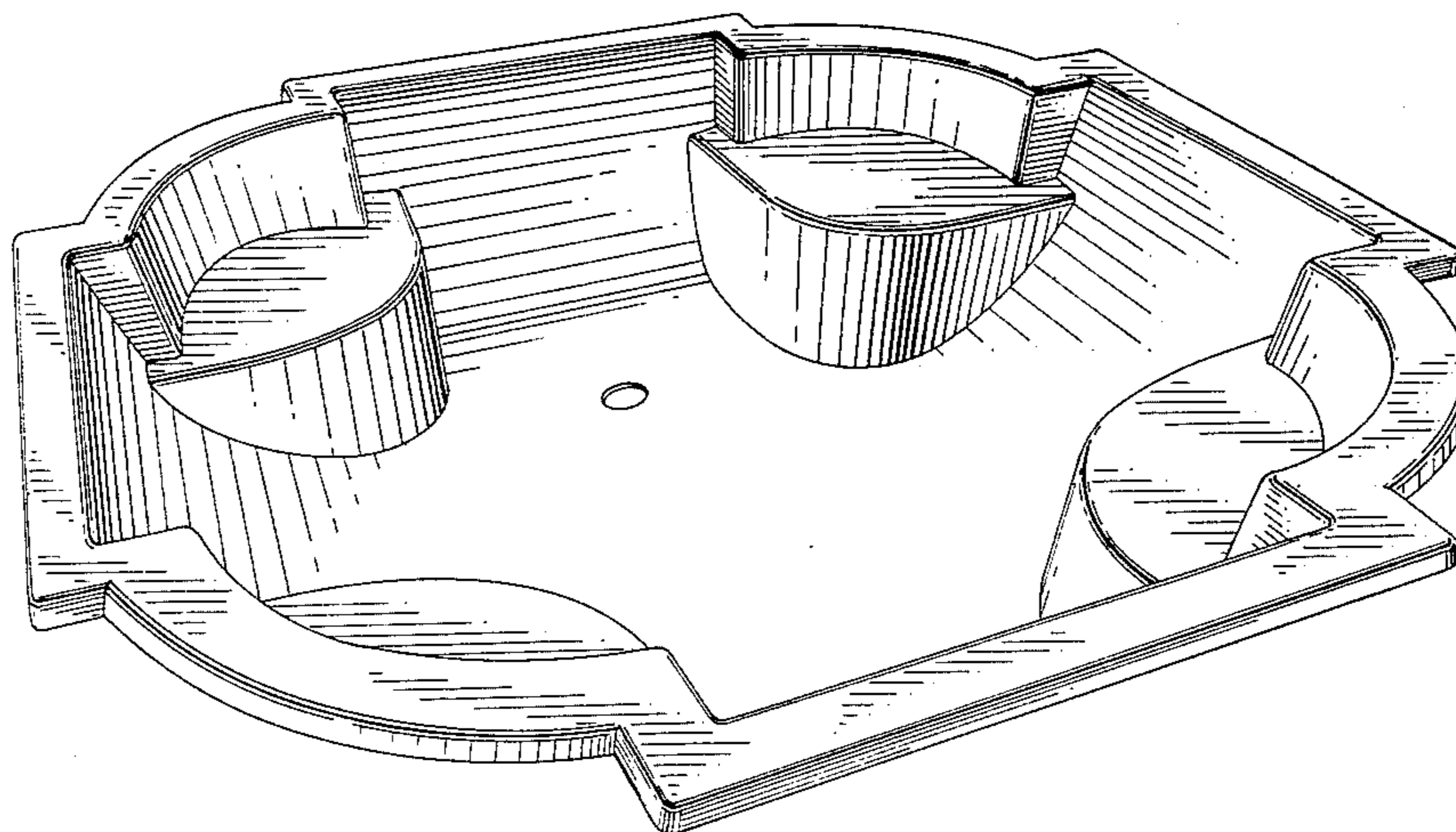


FIG. 1

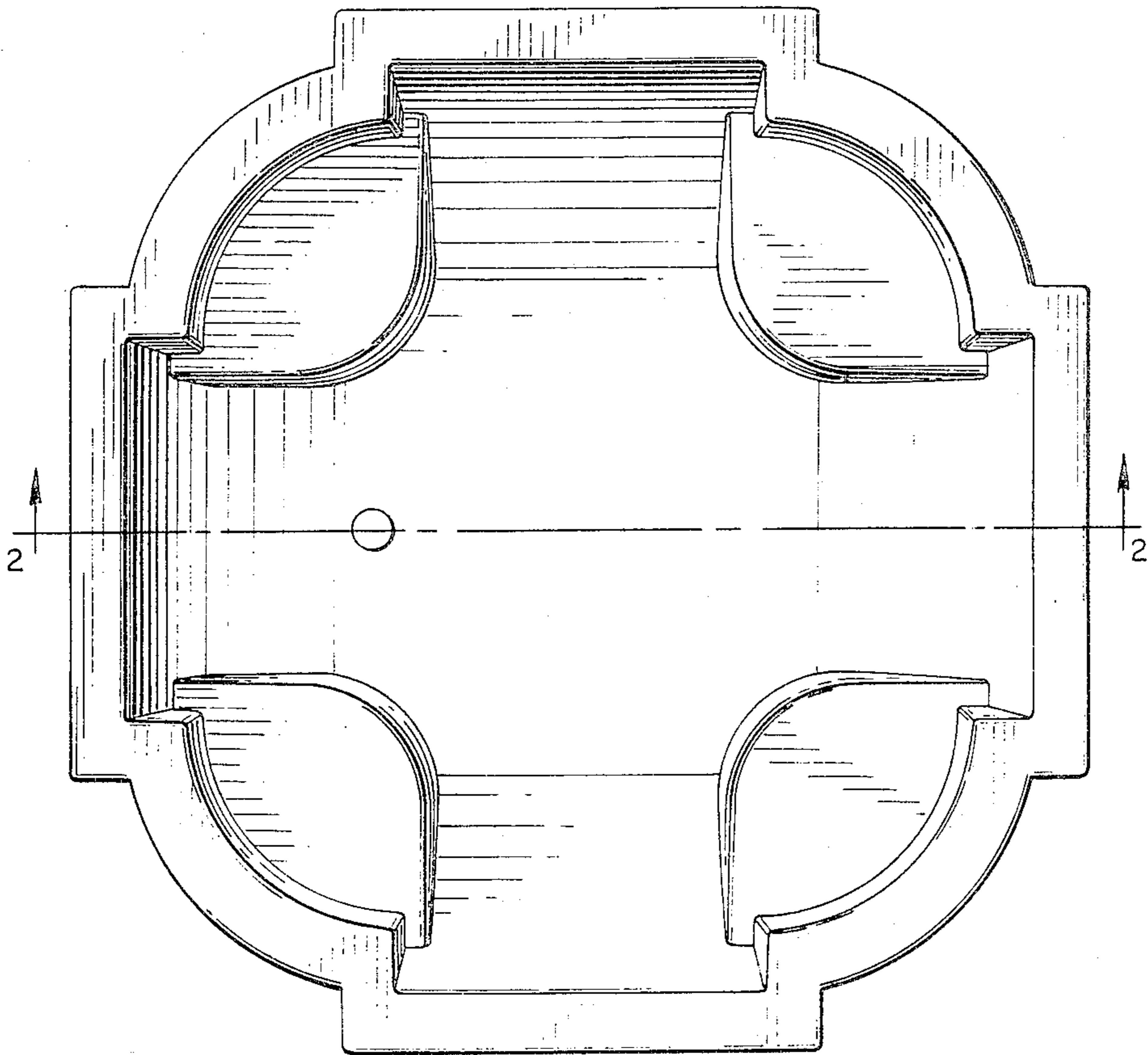


FIG. 2

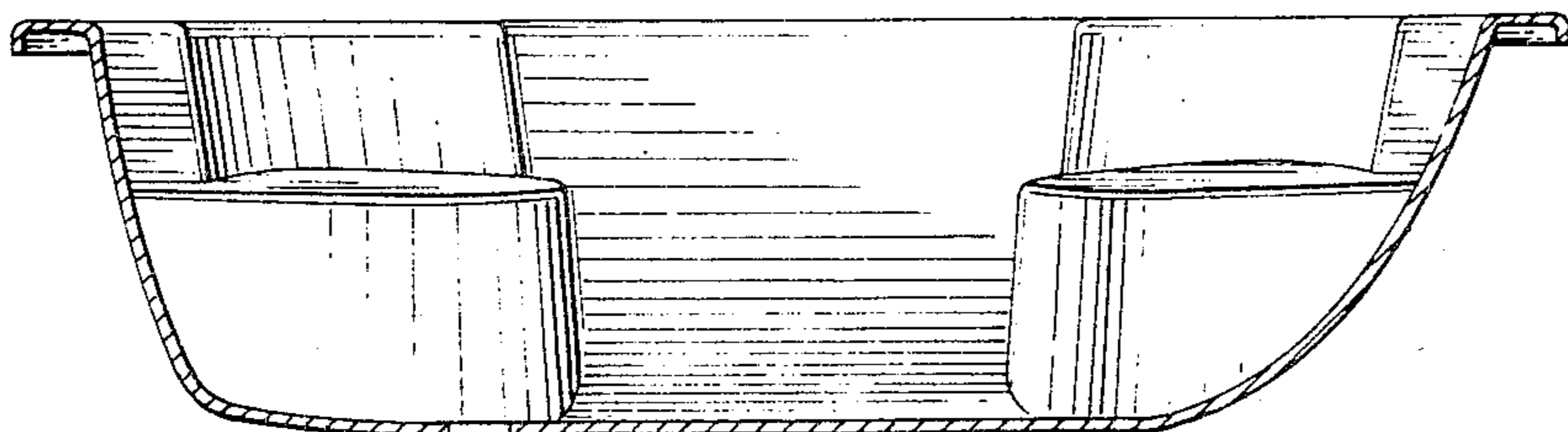


FIG. 3

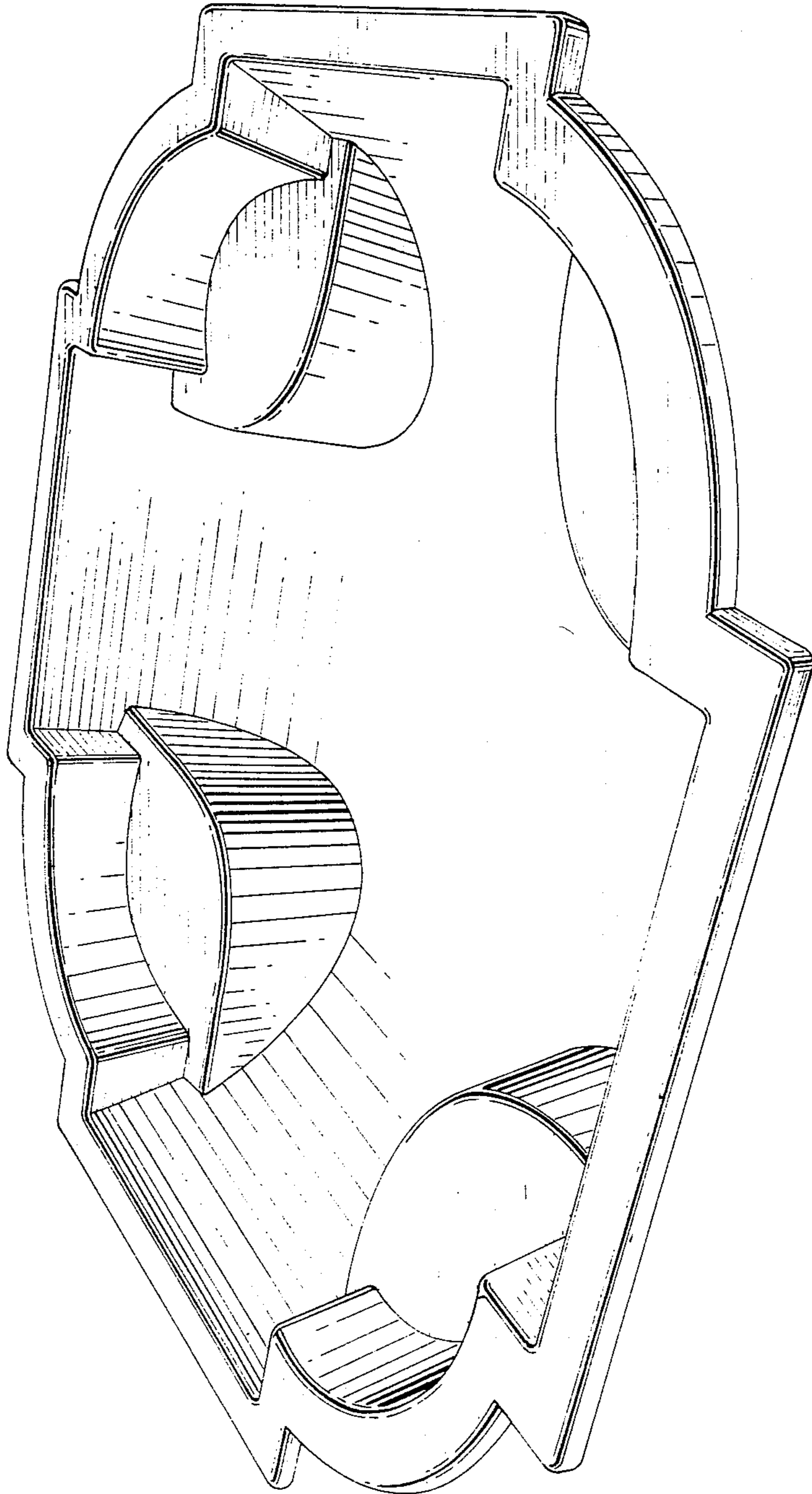




FIG. 4

