

[54] FIREWOOD HOLDER RACK, OR SIMILAR ARTICLE

[76] Inventor: Ralph L. Henderson, 1856 S. Santa Fe, Wichita, Kans. 67211

[**] Term: 14 Years

[21] Appl. No.: 719,984

[22] Filed: Apr. 4, 1985

[52] U.S. Cl. D23/138.5

[58] Field of Search D23/138.4, 138.5; 211/49.1, 60.1; 126/152, 153, 163, 164, 165, 298, 283

[56] References Cited

U.S. PATENT DOCUMENTS

3,021,011 2/1962 Visneski 211/49.1

FOREIGN PATENT DOCUMENTS

2380498 10/1978 France 126/164

Primary Examiner—Catherine E. Kemper

[57] CLAIM

The ornamental design for a firewood holder rack or similar article, as shown.

DESCRIPTION

FIG. 1 is a top perspective view of a firewood holder rack, showing my new design; FIG. 2 is a side elevational view thereof; FIG. 3 is a bottom plan view thereof; FIG. 4 is an end elevational view thereof; FIG. 5 is a top plan view thereof; FIG. 6 is a second embodiment of a firewood holder rack.

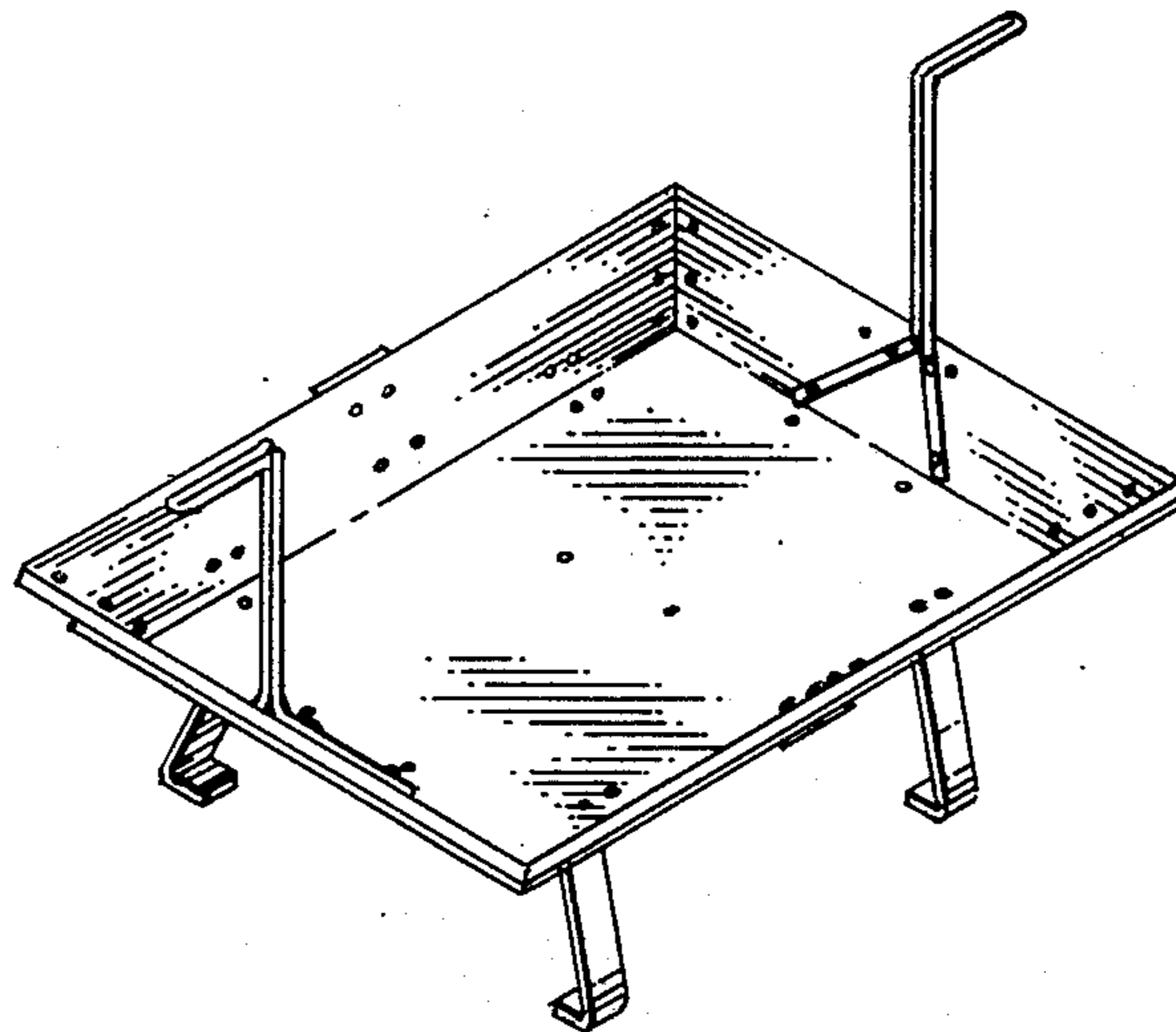


FIG. 1

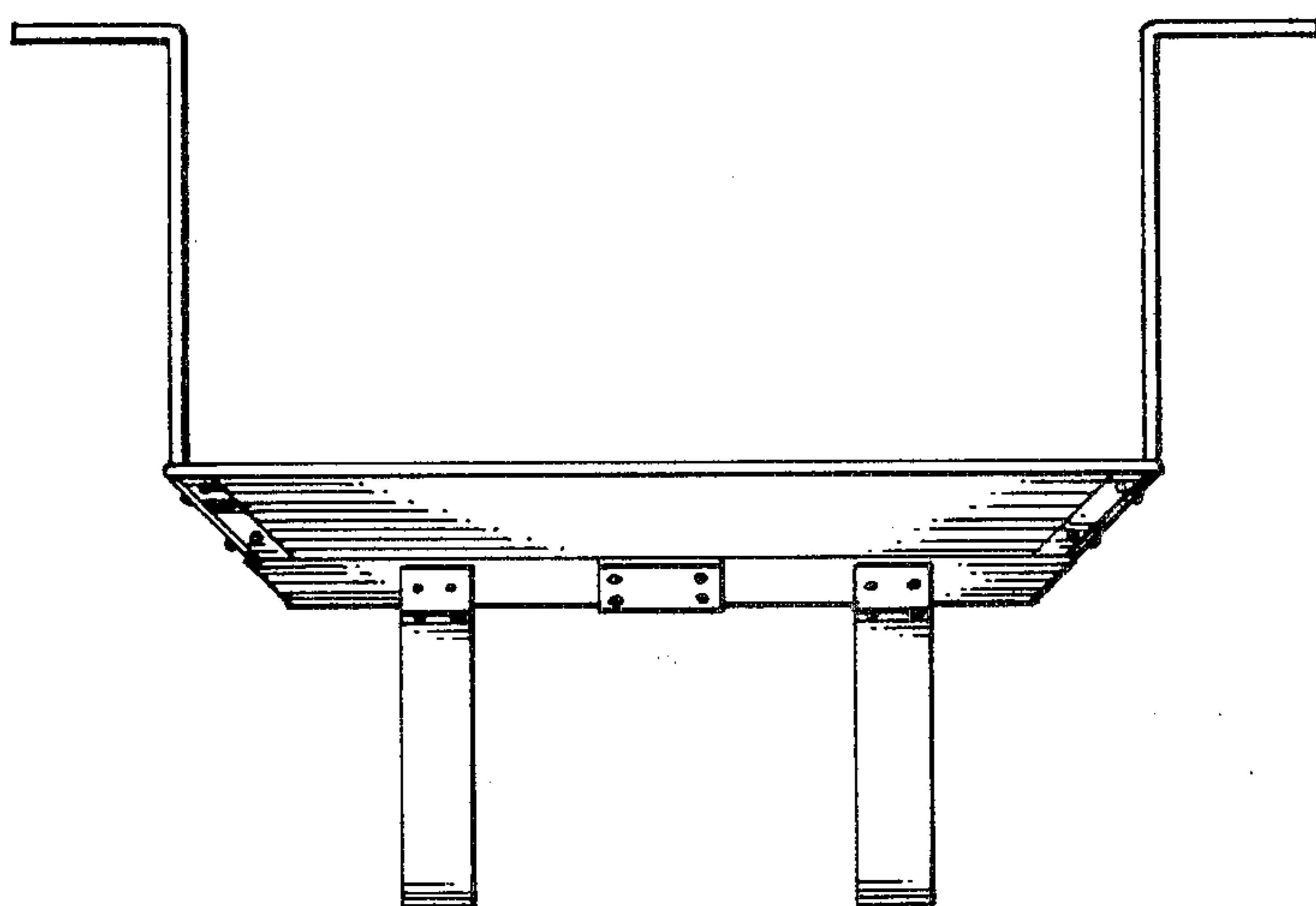
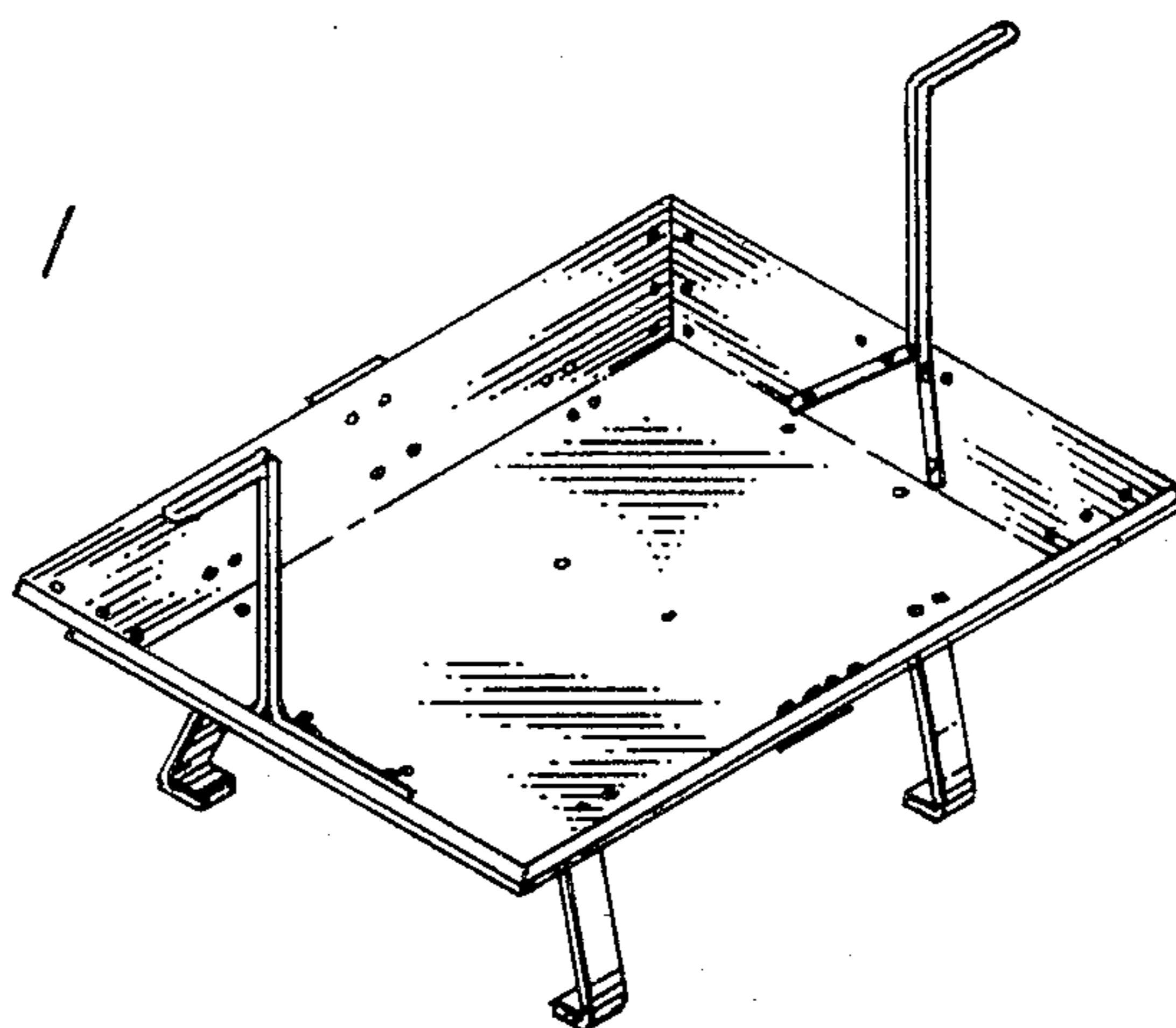


FIG. 2

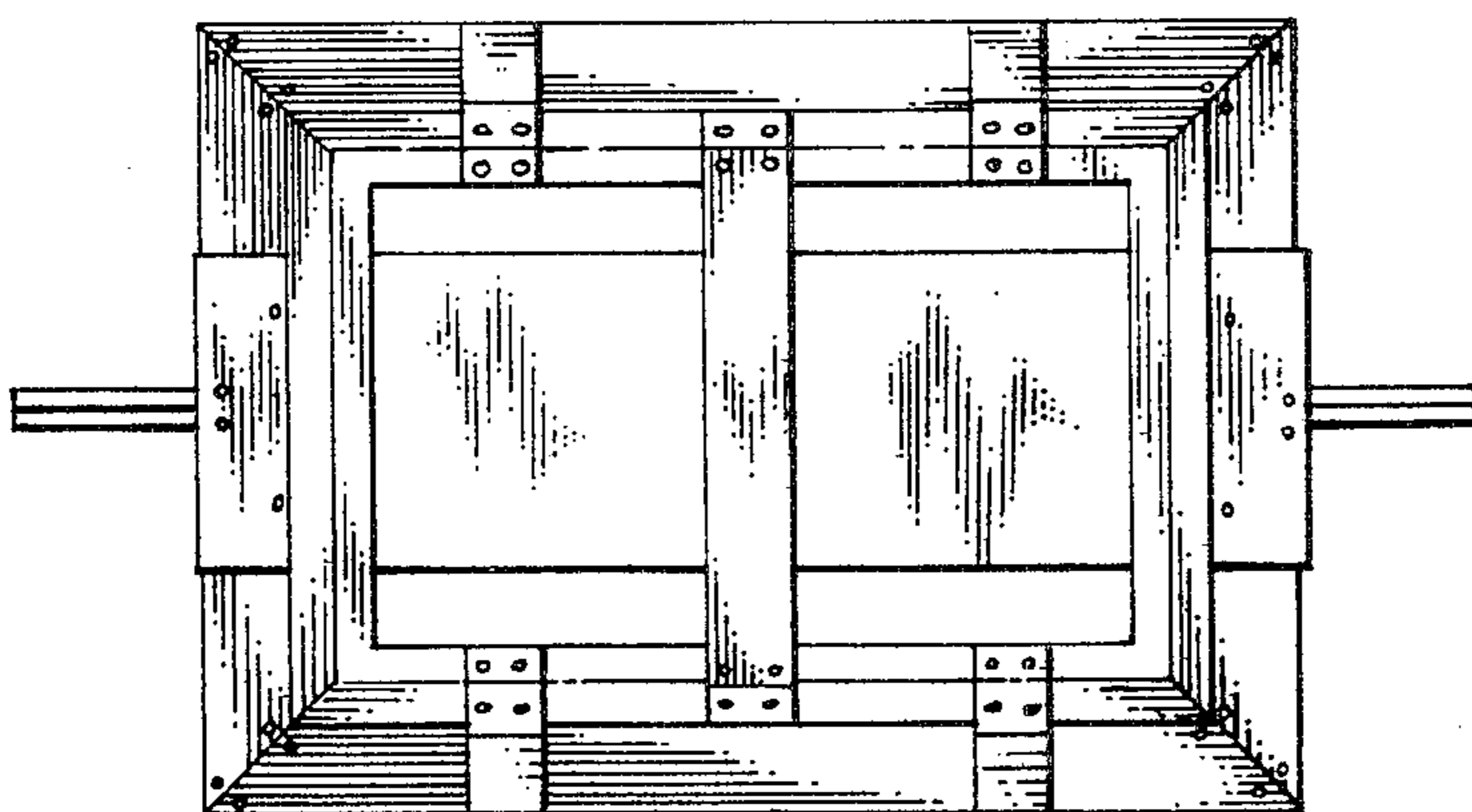


FIG. 3

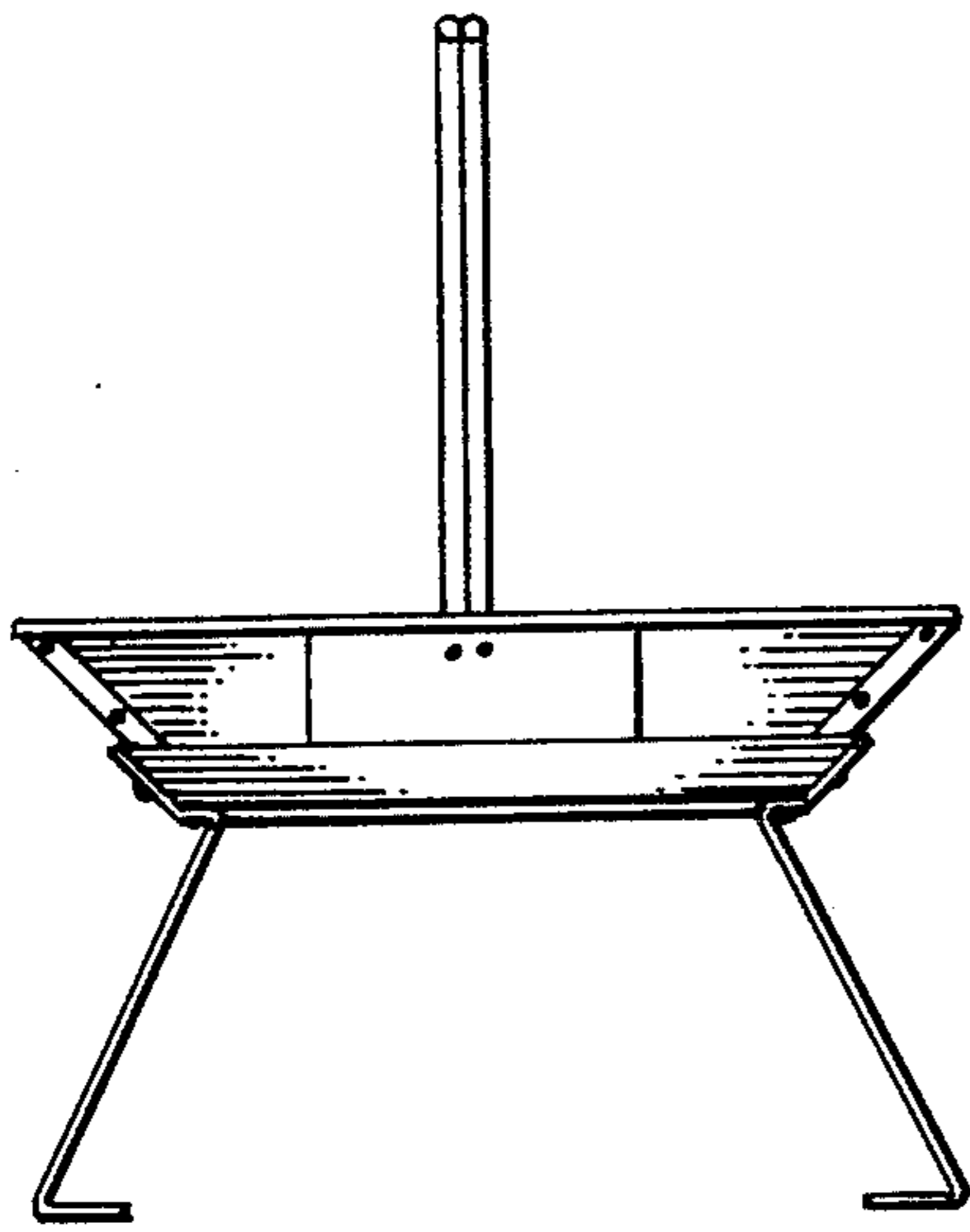


FIG. 4

FIG. 5

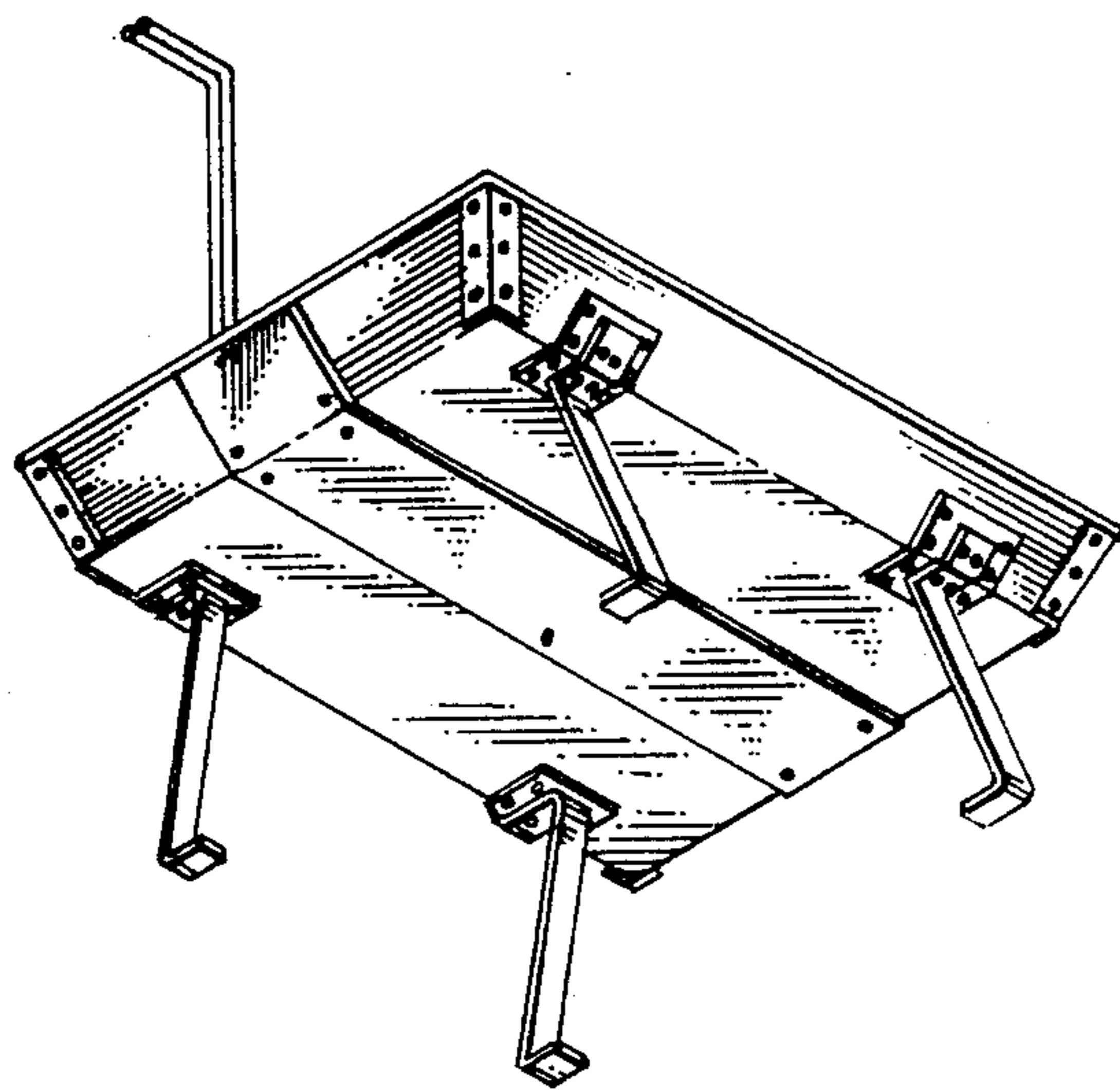
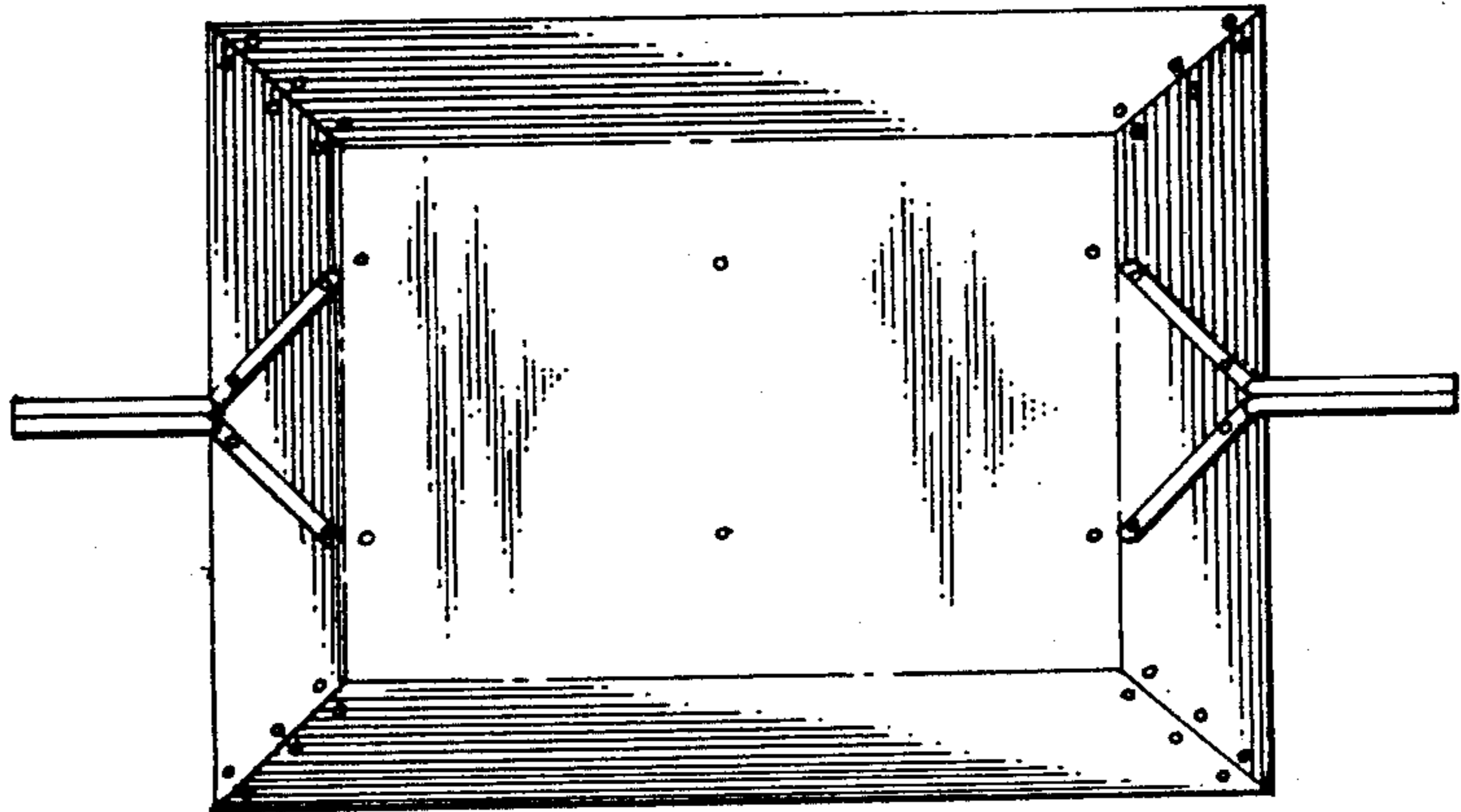


FIG. 6