

[54] **ELECTRIC RADIANT HEATER**
[75] **Inventor: Kazuharu Nakamura, Nagoya, Japan**
[73] **Assignee: Toyotomi Kogyo Co., Ltd., Aichi, Japan**
[**] **Term: 14 Years**
[21] **Appl. No.: 606,098**
[22] **Filed: May 2, 1984**

Related U.S. Application Data

[63] Continuation-in-part of Ser. No. 549,710, Nov. 8, 1983.

[30] **Foreign Application Priority Data**

May 19, 1983 [JP] Japan 58-21237
[52] **U.S. Cl. D23/123**
[58] **Field of Search D23/72, 92, 93, 109-111, D23/112, 117, 118, 122-124; 219/342, 343, 347, 354**

[56] **References Cited**

U.S. PATENT DOCUMENTS

D. 225,851 1/1973 Cowan D23/122
D. 259,892 7/1981 Boekamp D23/122
D. 267,424 12/1982 Boldt et al. D23/122
D. 267,971 2/1983 Harrison D23/123

D. 268,953 5/1983 Kerchner, Jr. D23/123
D. 271,132 10/1983 Boldt et al. D23/123
D. 276,258 11/1984 Glucksman D23/123
3,867,948 2/1975 Kallenborn 219/354 X

FOREIGN PATENT DOCUMENTS

57-3474 3/1982 Japan .
604275 7/1983 Japan .
604312 7/1983 Japan .
604464 7/1983 Japan .

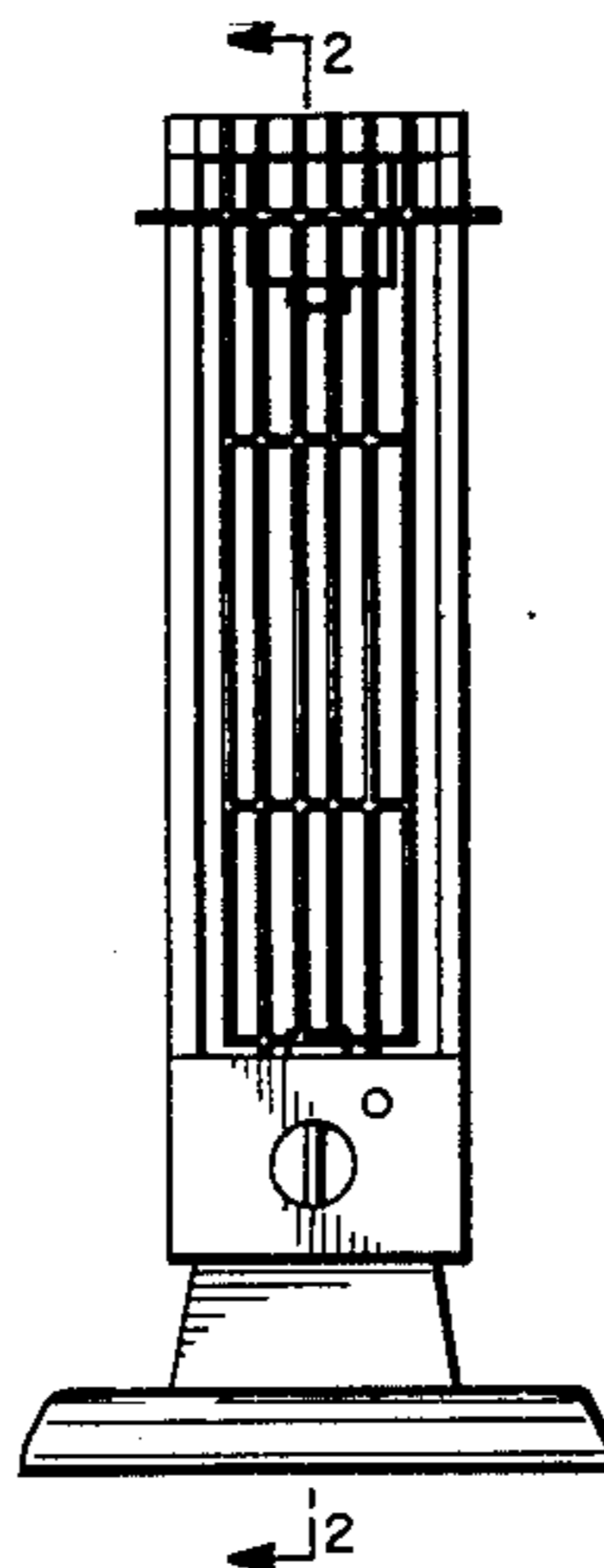
Primary Examiner—Catherine E. Kemper
Attorney, Agent, or Firm—Pollock, Vande Sande & Priddy

[57] **CLAIM**

The ornamental design for an electric radiant heater, substantially as shown and described.

DESCRIPTION

FIG. 1 is a front elevational view of an electric radiant heater, showing my new design;
FIG. 2 is a cross sectional view thereof, taken along line 2—2 of FIG. 1;
FIG. 3 is a left side elevational view, the right side being a mirror image thereof.
FIG. 4 is a rear elevational view thereof; and
FIG. 5 is a top plan view thereof.
The bottom surface of the electric radiant heater is substantially planar and unornamental.



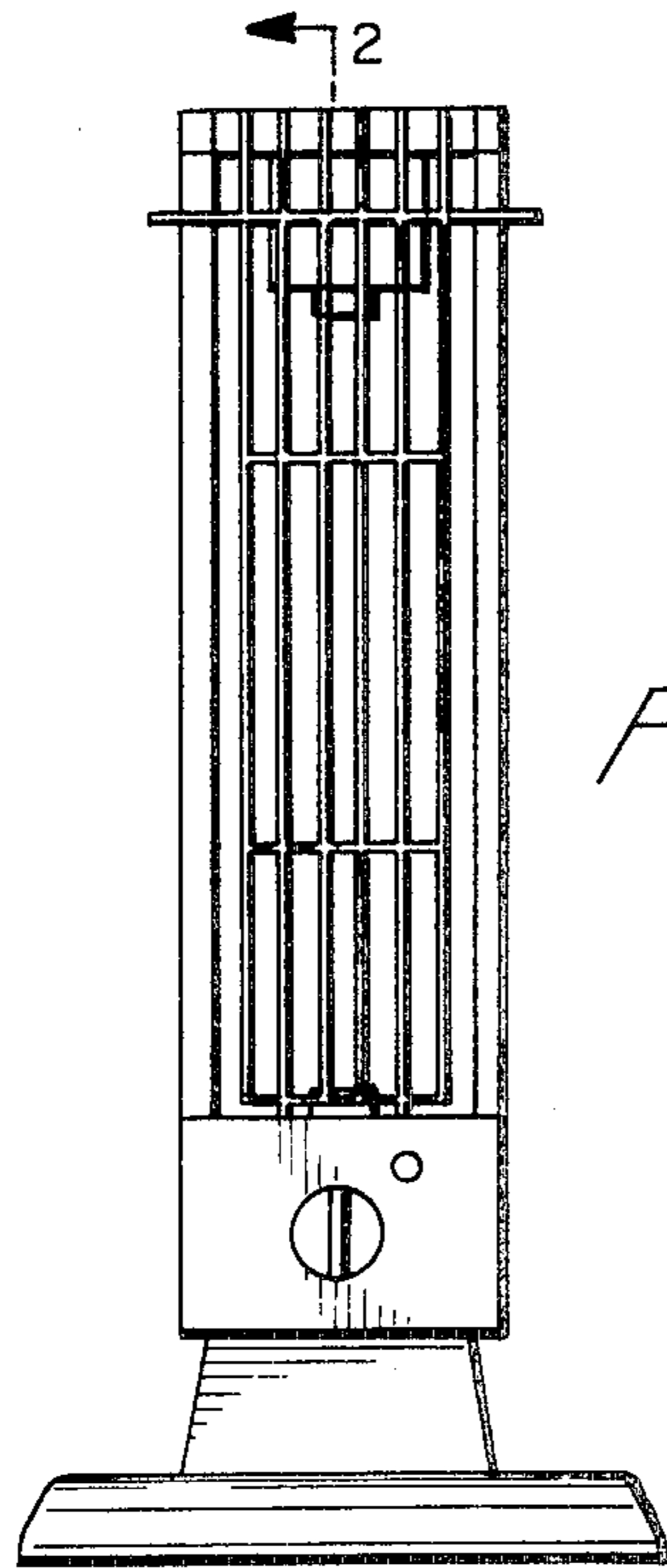


FIG 1

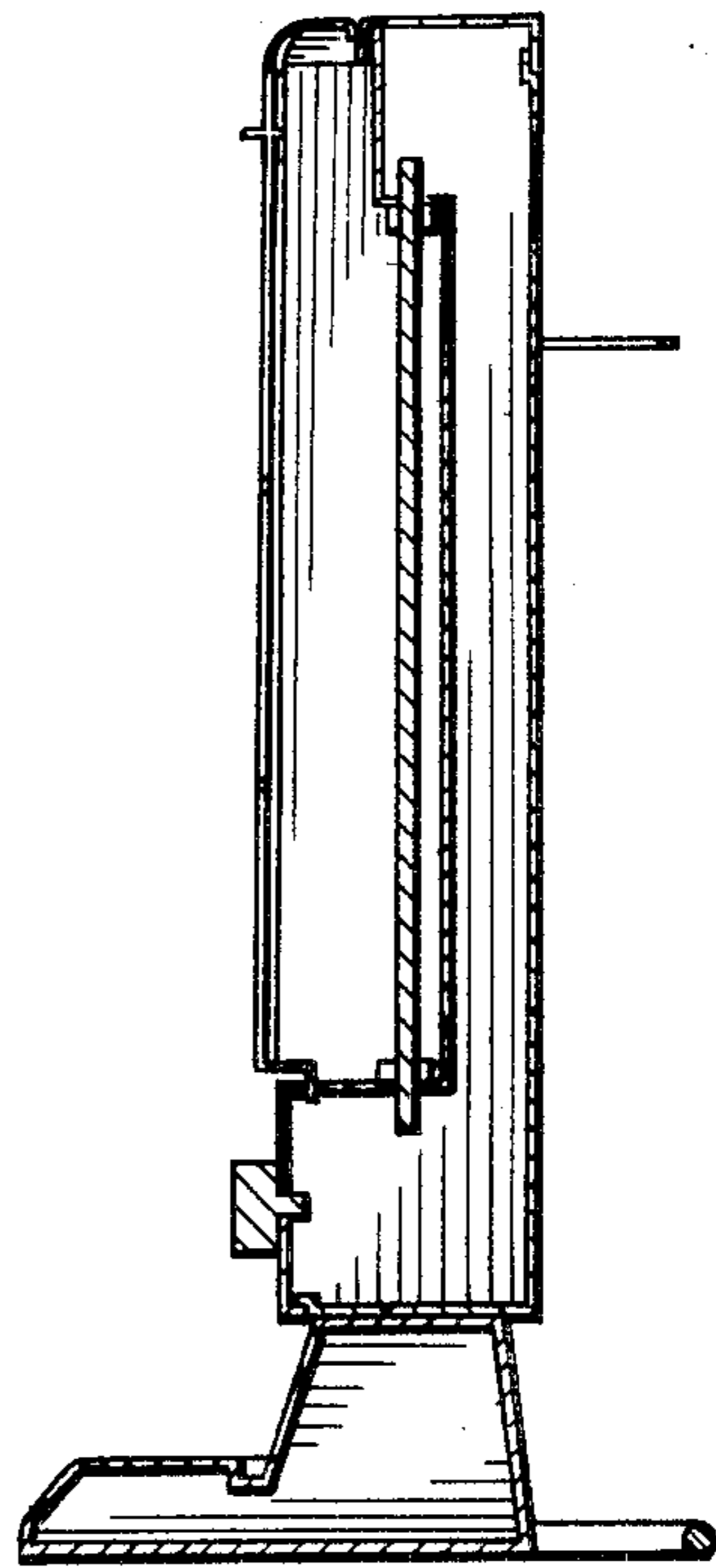


FIG 2

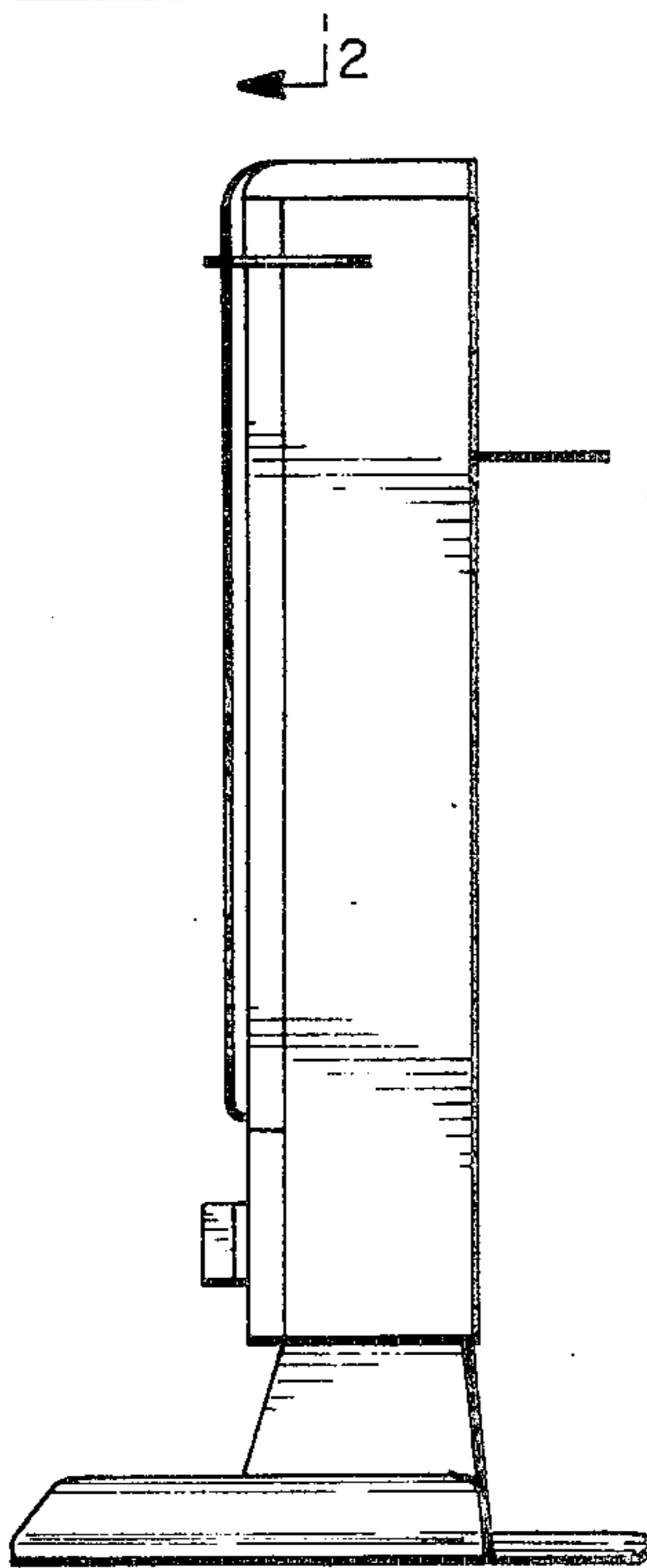


FIG 3

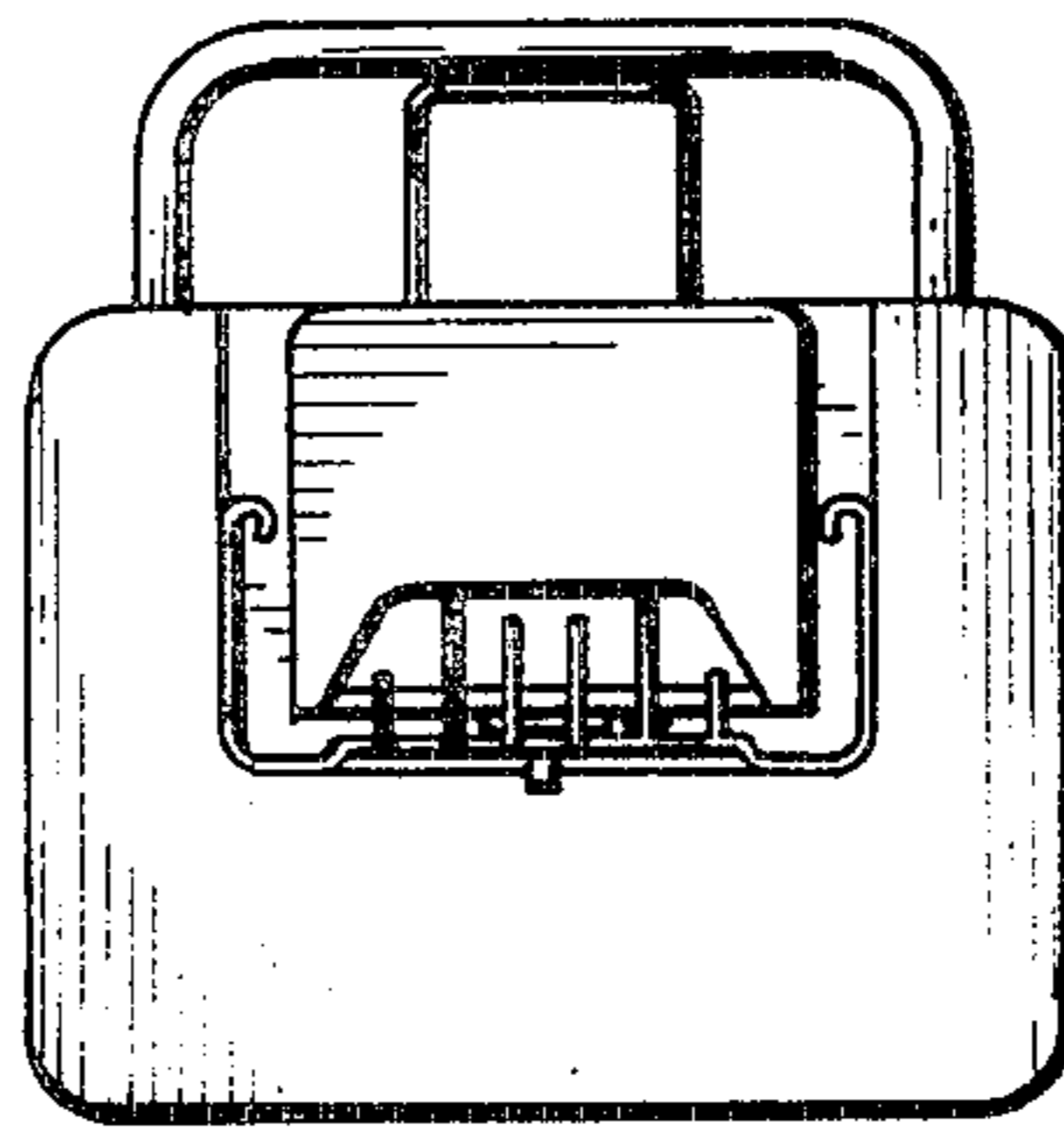


FIG 5

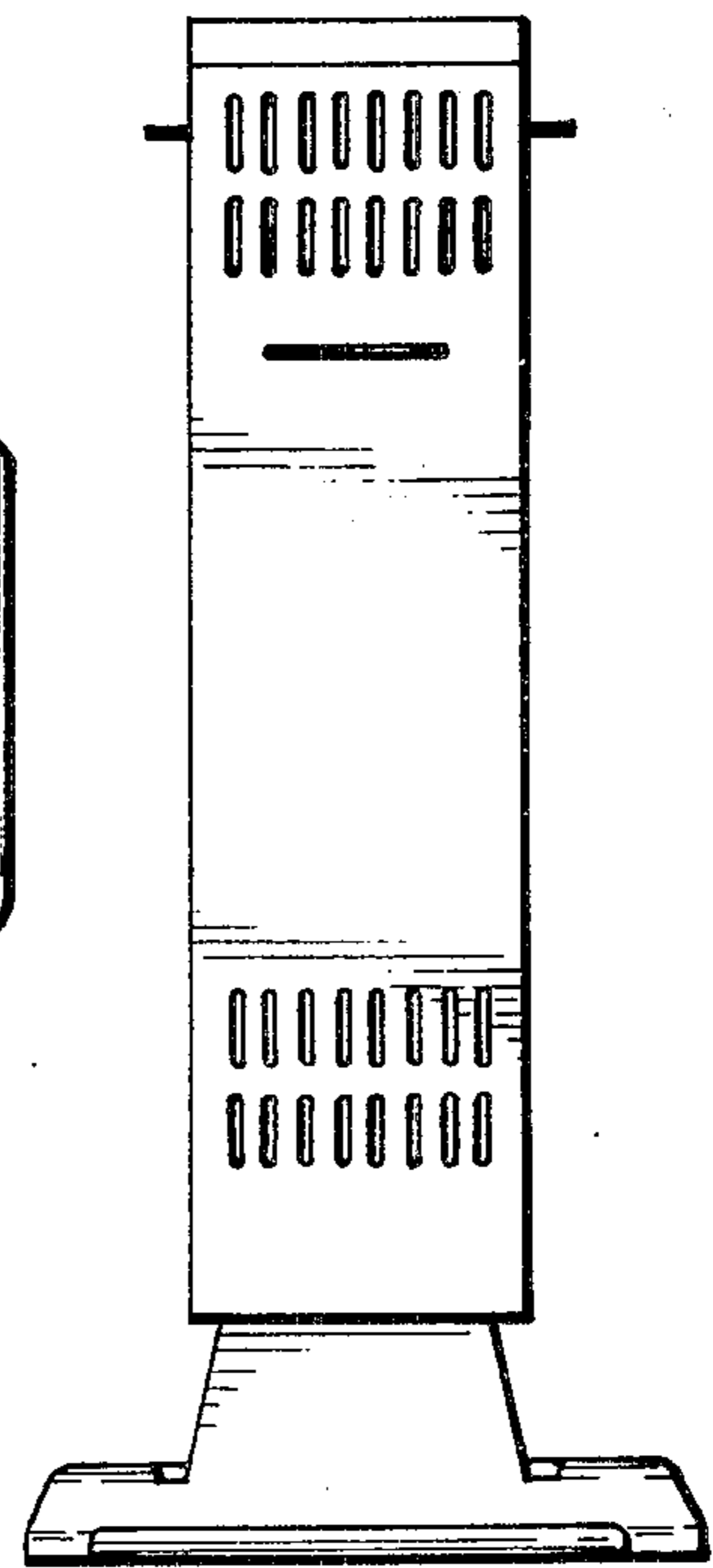


FIG 4