

[54] **TOILET SEAT LIFTER, OR THE LIKE**

[76] Inventor: **William S. Marcomb, 35871 Ash, Ingleside, Ill. 60041**

[**] Term: **14 Years**

[21] Appl. No.: **553,795**

[22] Filed: **Nov. 21, 1983**

[52] U.S. Cl. **D23/71; 4/251**

[58] Field of Search **D23/1, 69, 70, 71; 4/251**

3,417,411 12/1968 Greenwood 4/251
3,516,095 6/1970 Clifton et al. 4/251

FOREIGN PATENT DOCUMENTS

658023 10/1951 United Kingdom 4/251

Primary Examiner—James R. Largen
Attorney, Agent, or Firm—Welsh & Katz, Ltd.

[57] **CLAIM**

The ornamental design for a toilet seat lifter, or the like, substantially as shown and described.

DESCRIPTION

FIG. 1 is a perspective view taken from the top, front and right side of a toilet seat lifter or the like showing my new design;

FIG. 2 is a right side elevational view thereof;

FIG. 3 is a top plan view thereof;

FIG. 4 is a front elevational view thereof;

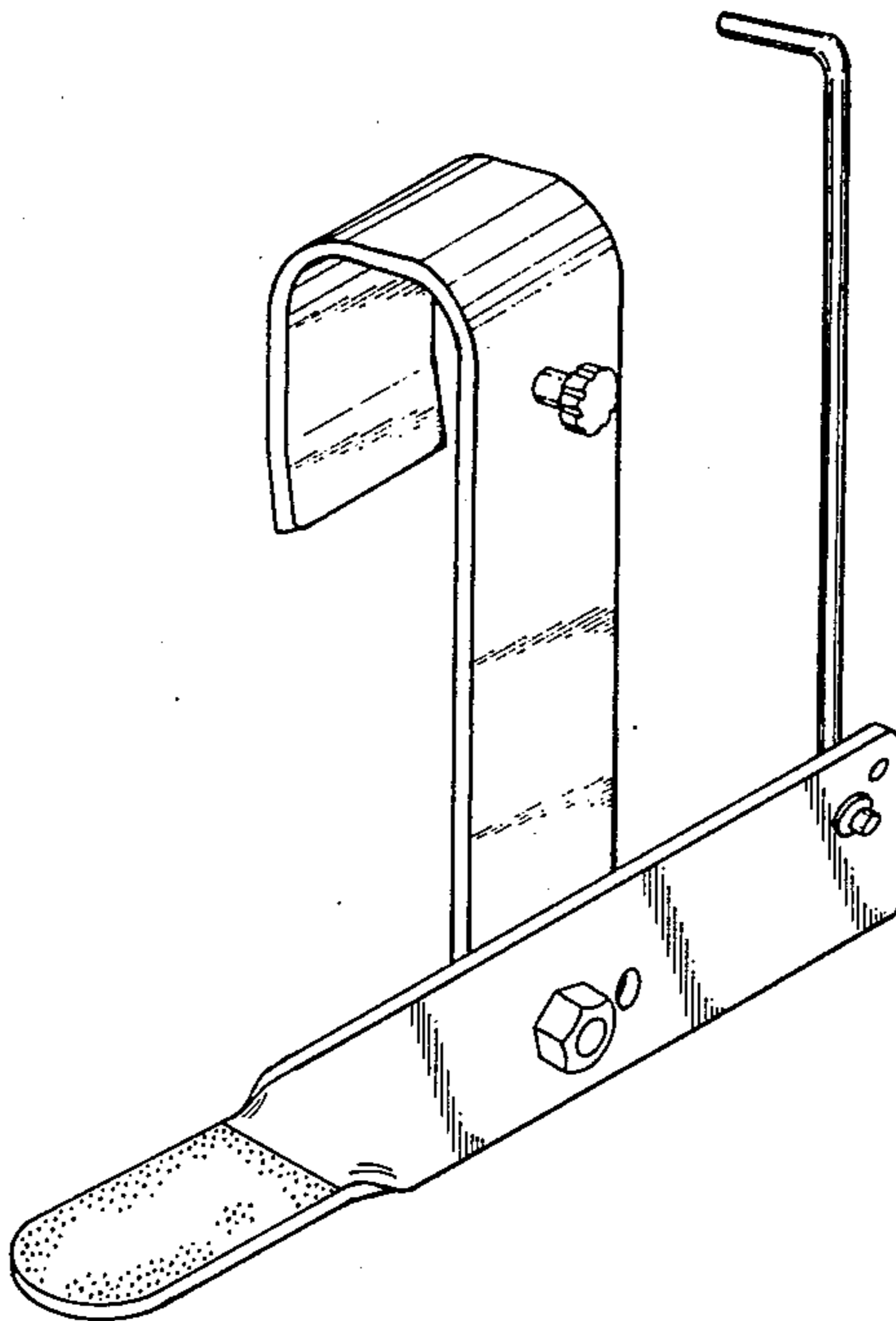
FIG. 5 is a left side elevational view thereof; and

FIG. 6 is a rear elevational view thereof.

[56] **References Cited**

U.S. PATENT DOCUMENTS

D. 245,095	7/1977	Murray	D23/71
1,792,811	2/1931	Bustin	4/251
1,999,070	4/1935	Svedelius	4/251
2,232,895	2/1941	White	4/251
2,236,576	4/1941	Loebner	4/251
2,776,440	1/1957	Miller	4/251
3,055,016	9/1962	Kemp	4/251



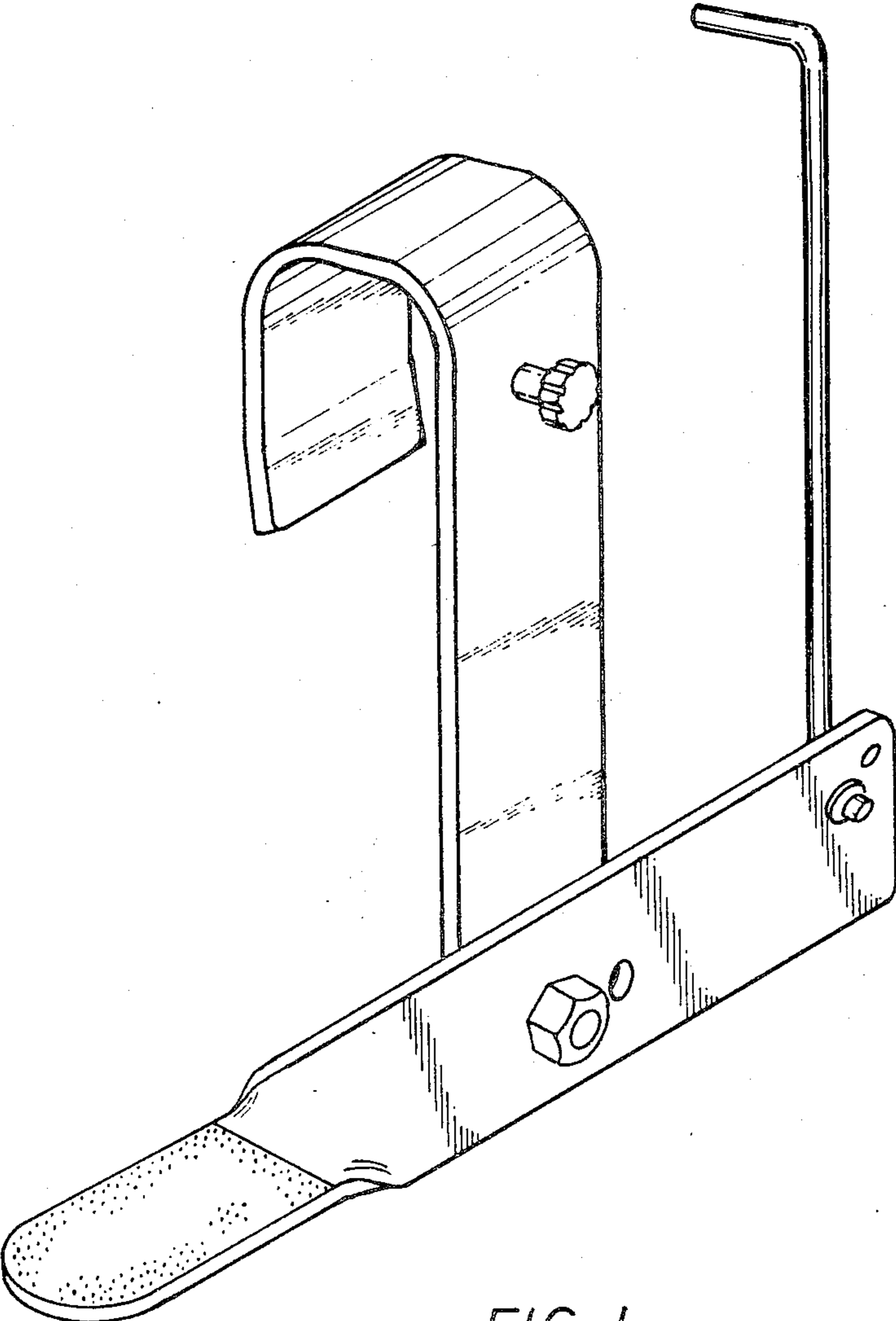


FIG. 1

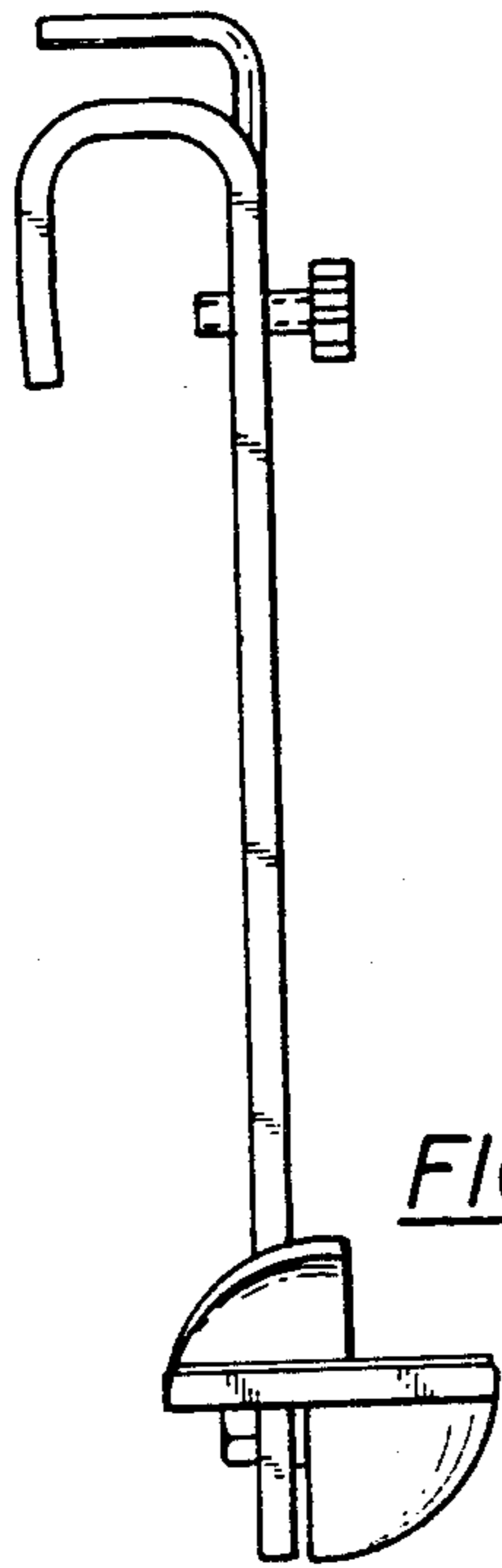


FIG. 4

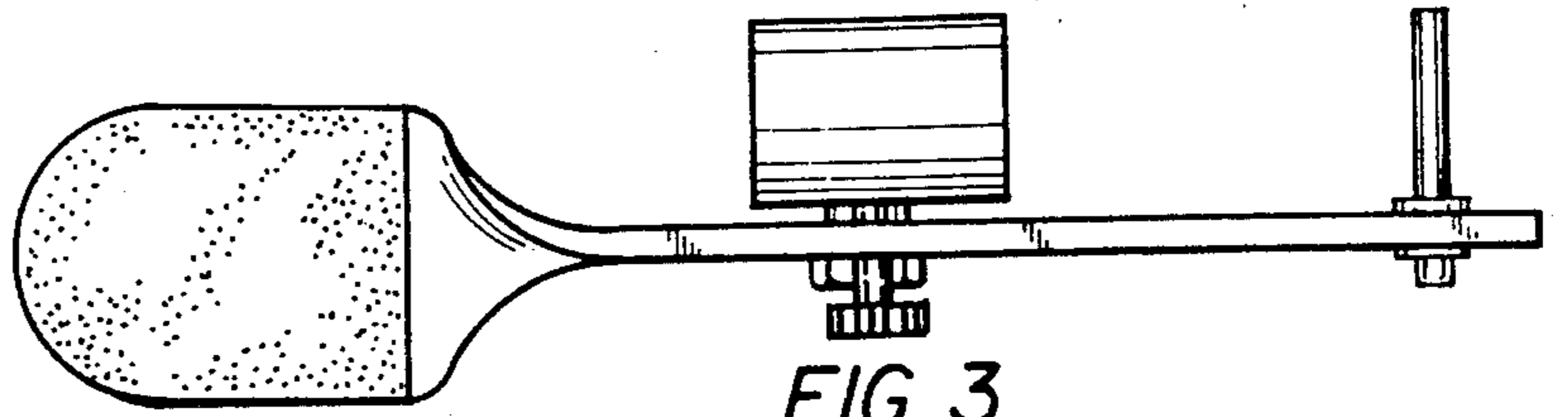


FIG. 3

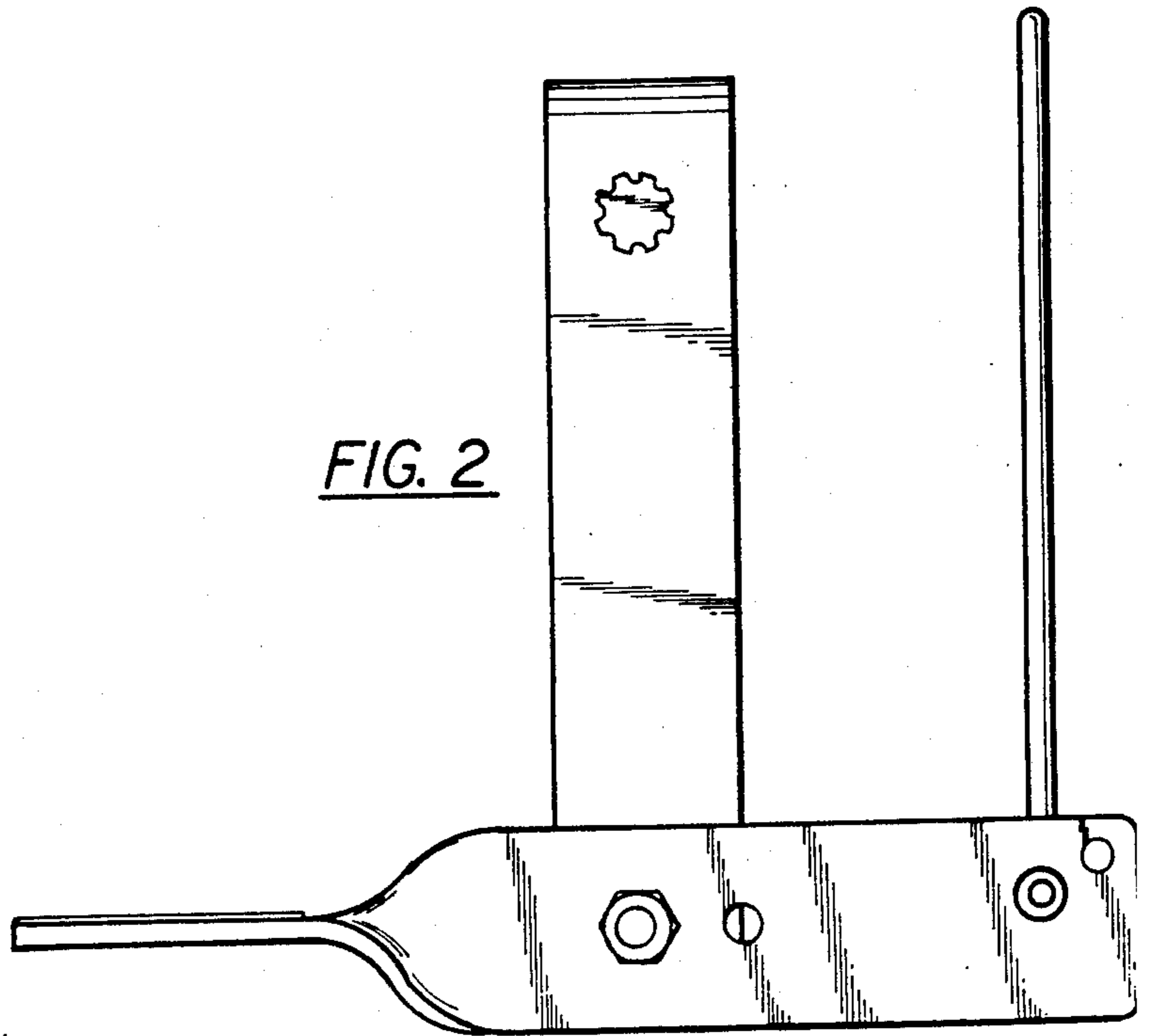


FIG. 2

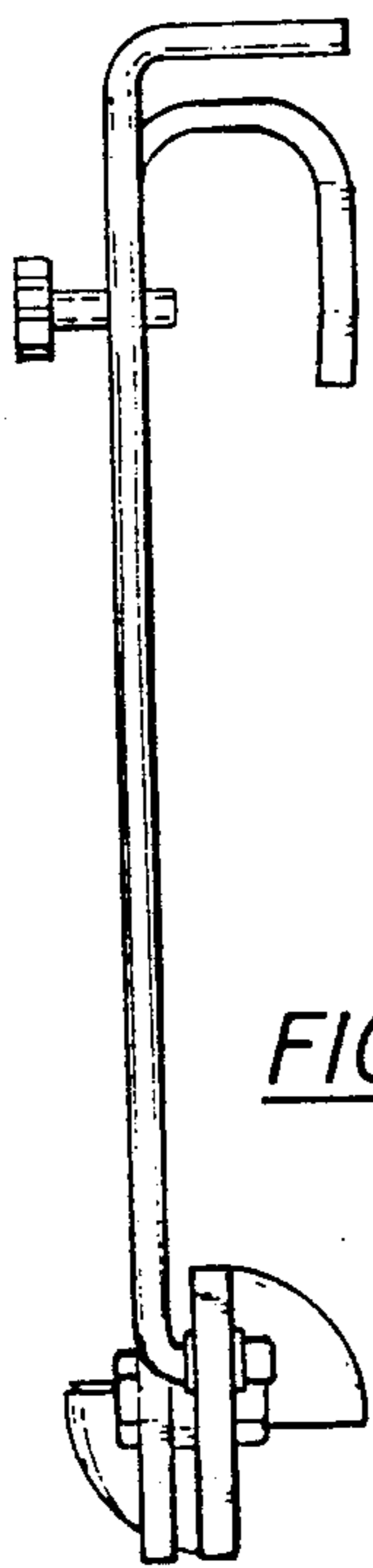


FIG. 6

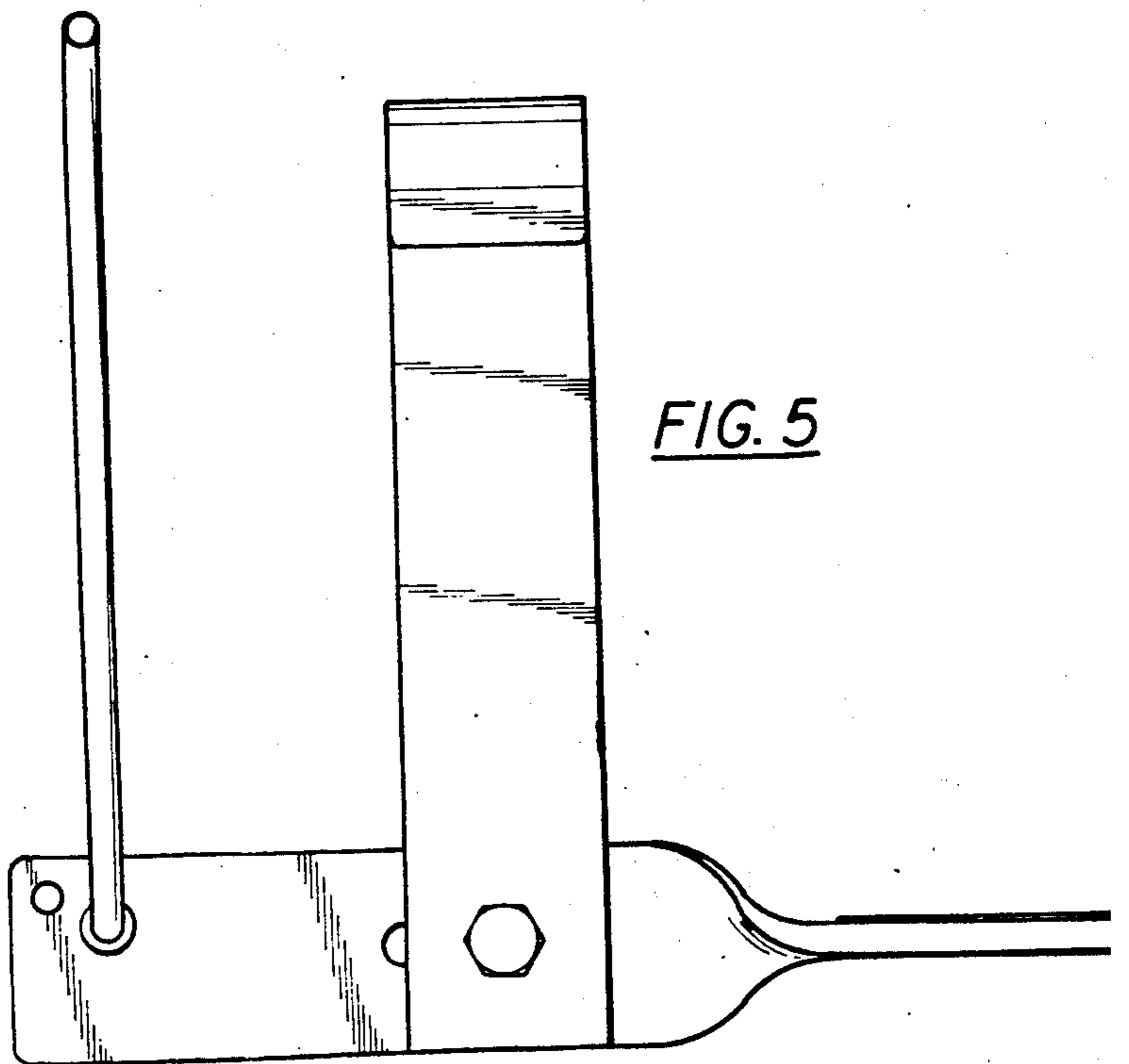


FIG. 5