

[54] TARGET

[76] Inventor: Kenneth J. Mosser, P.O. Box 242, Clarissa, Minn. 56440

[**] Term: 14 Years

[21] Appl. No.: 607,519

[22] Filed: May 7, 1984

[52] U.S. Cl. D22/113

[58] Field of Search 273/409, 407; D22/15

[56] References Cited

U.S. PATENT DOCUMENTS

3,413,003 11/1968 Bell 273/409 X

FOREIGN PATENT DOCUMENTS

285179 12/1952 Switzerland 273/407

OTHER PUBLICATIONS

American Rifleman, Jun. 1967, p. 53, Target illustrations at left and right center of page.

Primary Examiner—A. Hugo Word

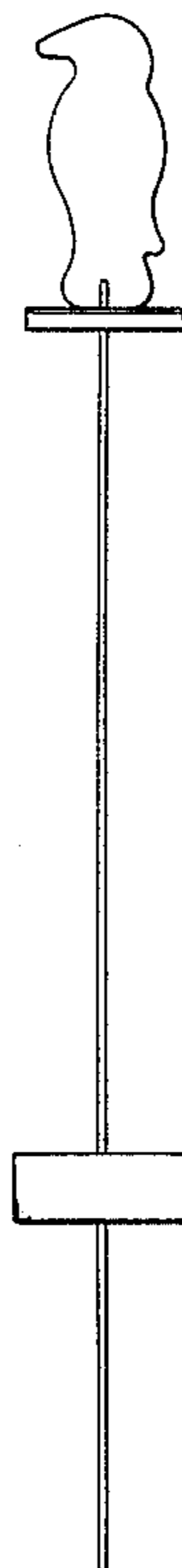
Attorney, Agent, or Firm—Burd, Bartz & Gutenkauf

[57] CLAIM

The ornamental design for a target, substantially as shown and described.

DESCRIPTION

FIG. 1 is a front view of the target of my design; FIG. 2 is a right side view thereof; FIG. 3 is a left side view thereof; FIG. 4 is a rear view thereof; FIG. 5 is a top view thereof; FIG. 6 is a bottom view thereof; FIG. 7 is a foreshortened front view of a first modification of the target of my new design; FIG. 8 is a foreshortened right side view of FIG. 7; FIG. 9 is a foreshortened left side view of FIG. 7; FIG. 10 is a foreshortened rear view of FIG. 7; FIG. 11 is a top view of FIG. 7; FIG. 12 is a bottom view of FIG. 7; FIG. 13 is a front view of a second modification of the target of my new design; FIG. 14 is a side view of FIG. 13, the opposite side being a mirror image thereof; FIG. 15 is a rear view of FIG. 13; FIG. 16 is a top view of FIG. 13; and FIG. 17 is a bottom view of FIG. 13.



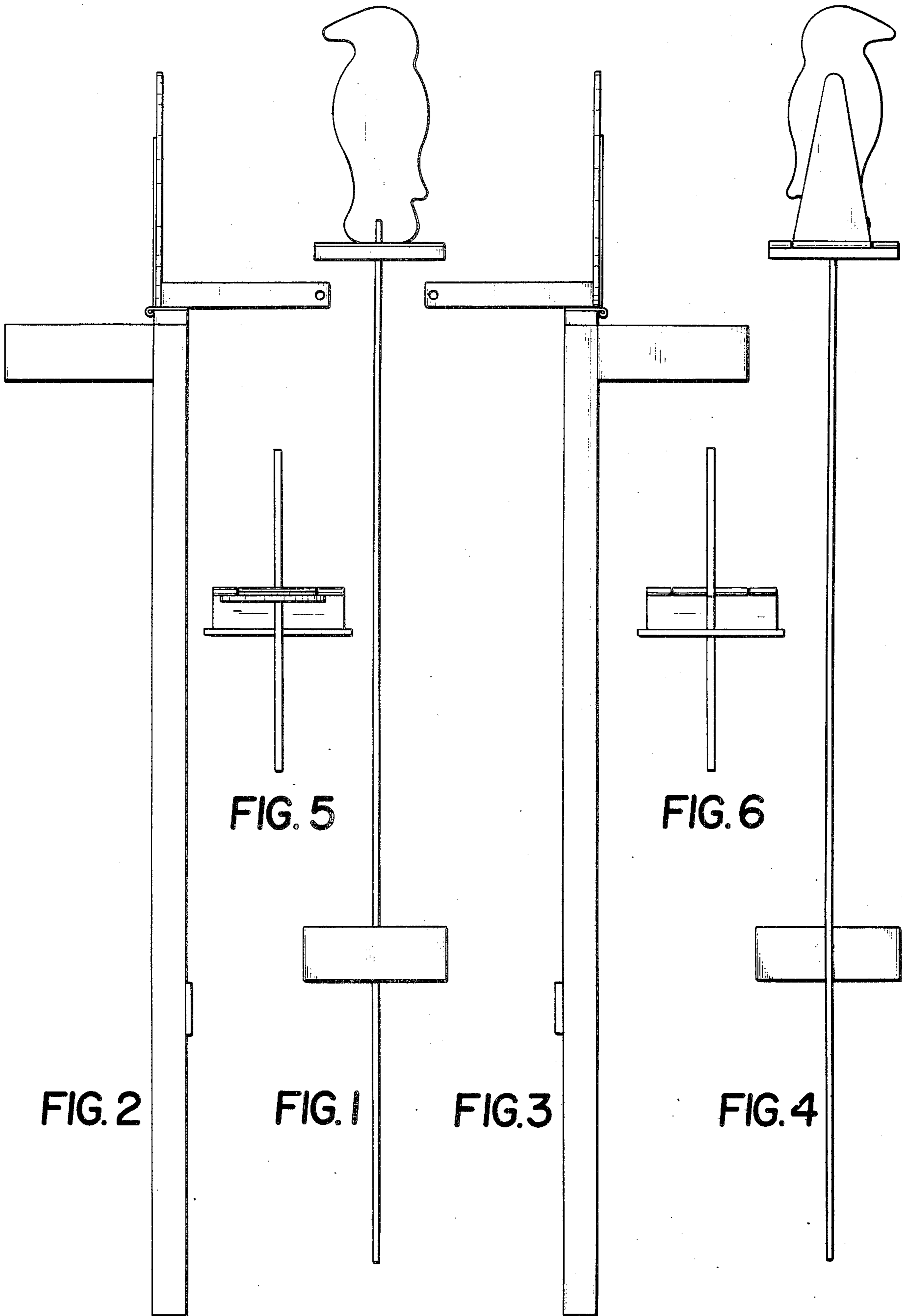


FIG. 2

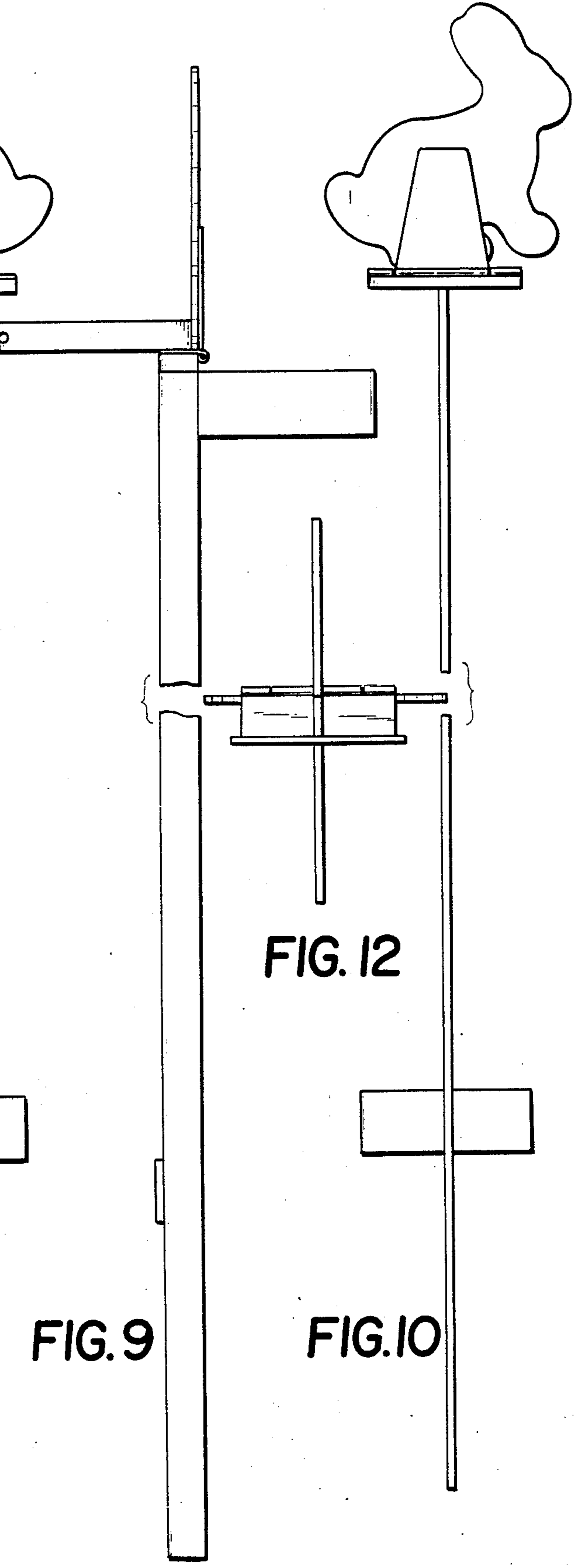
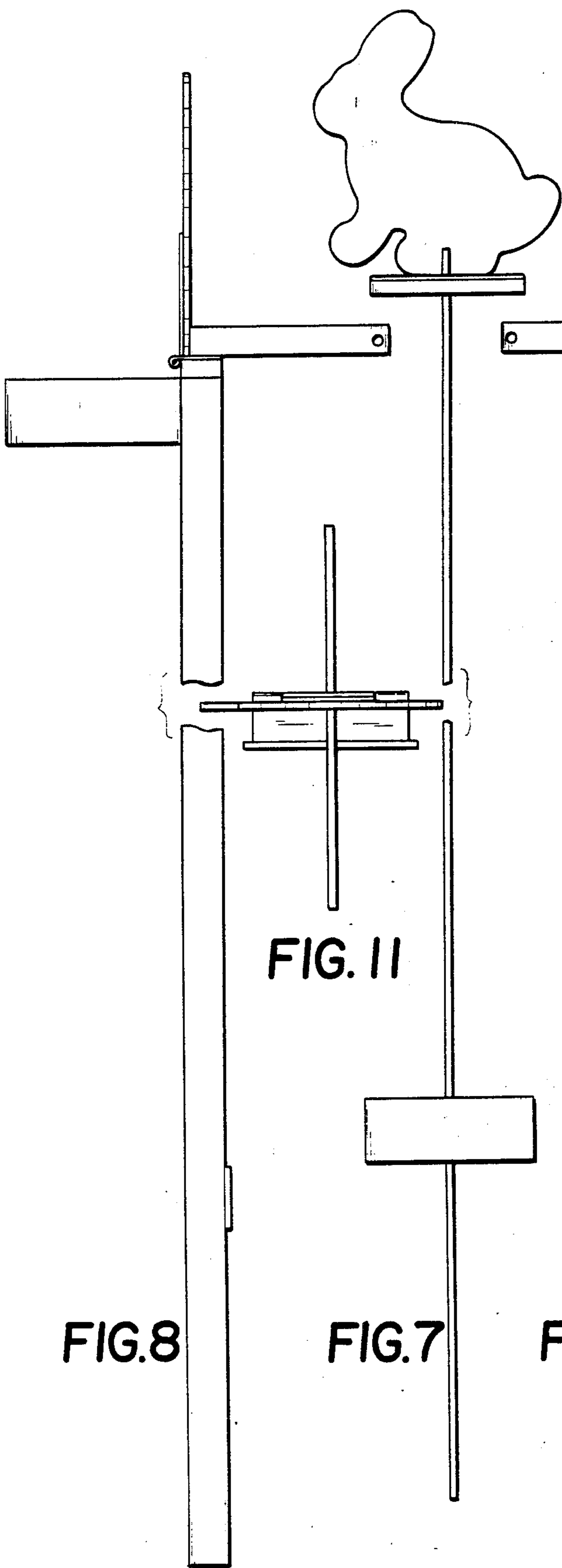
FIG. 1

FIG. 3

FIG. 4

FIG. 5

FIG. 6



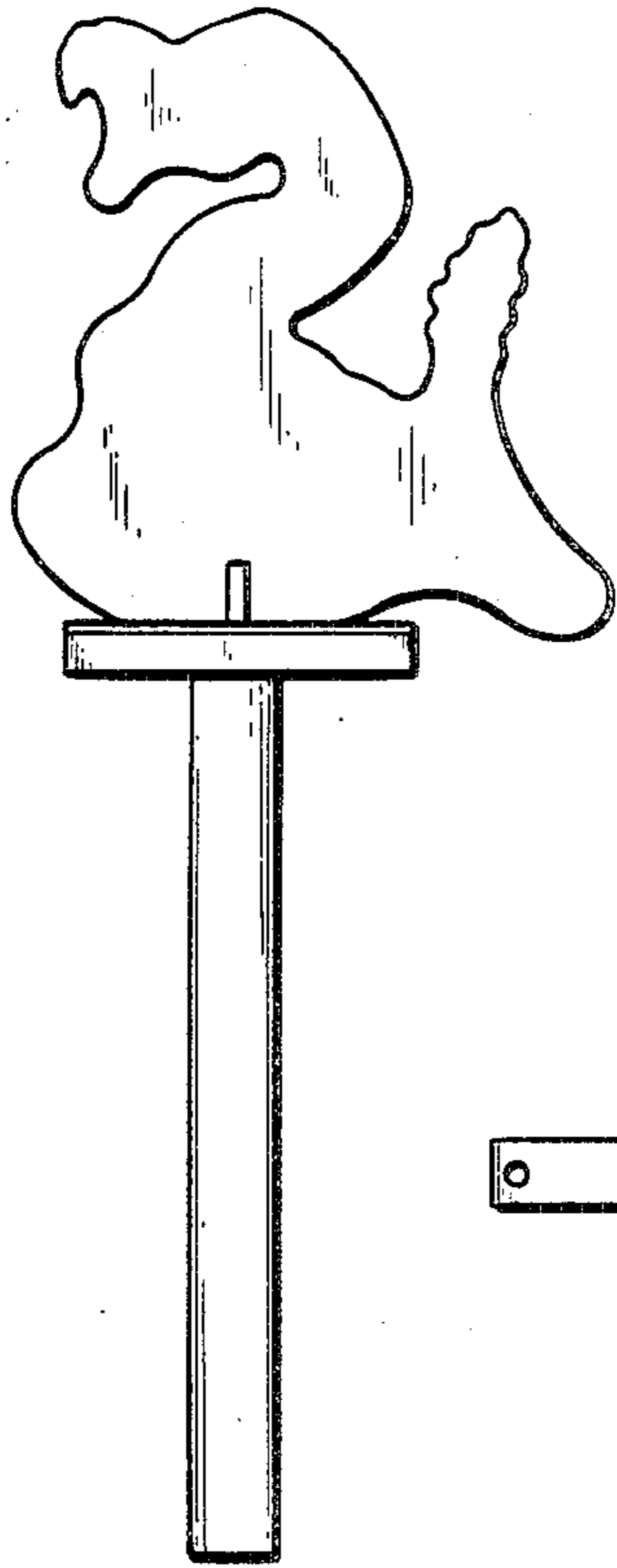


FIG. 13

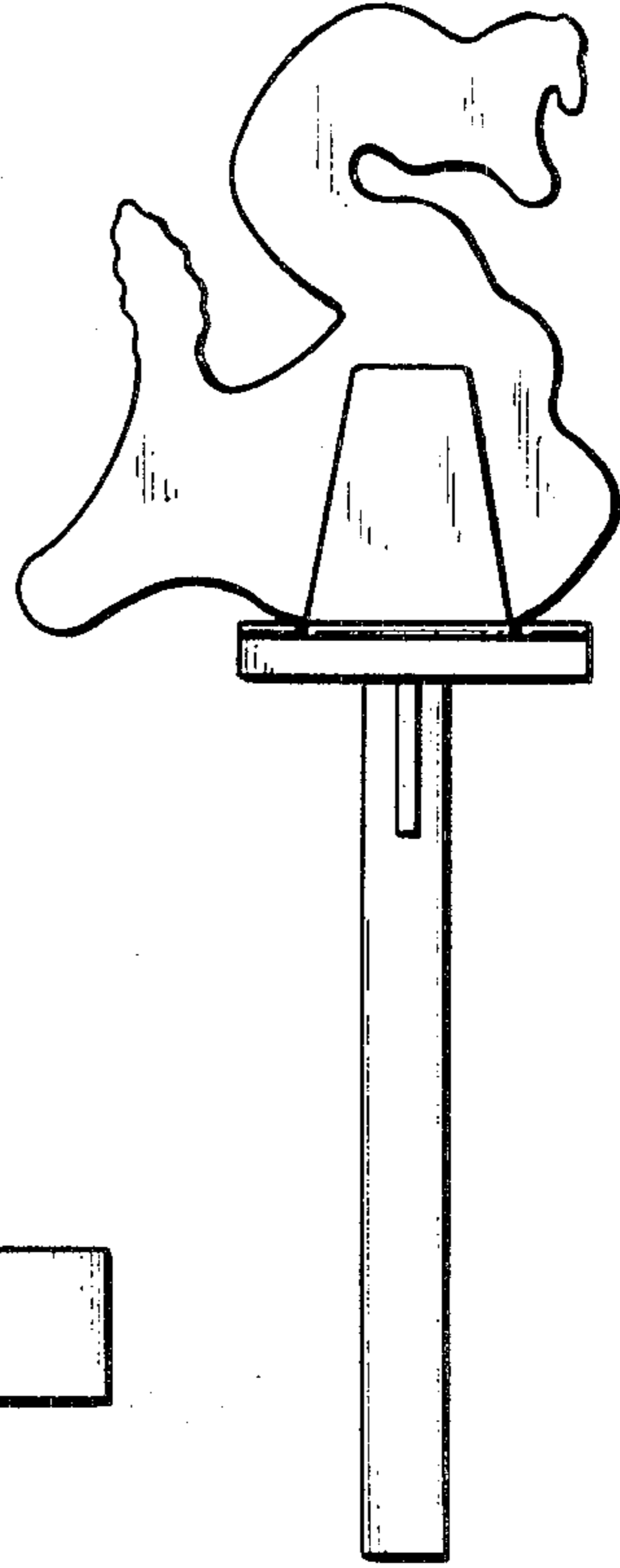


FIG. 15

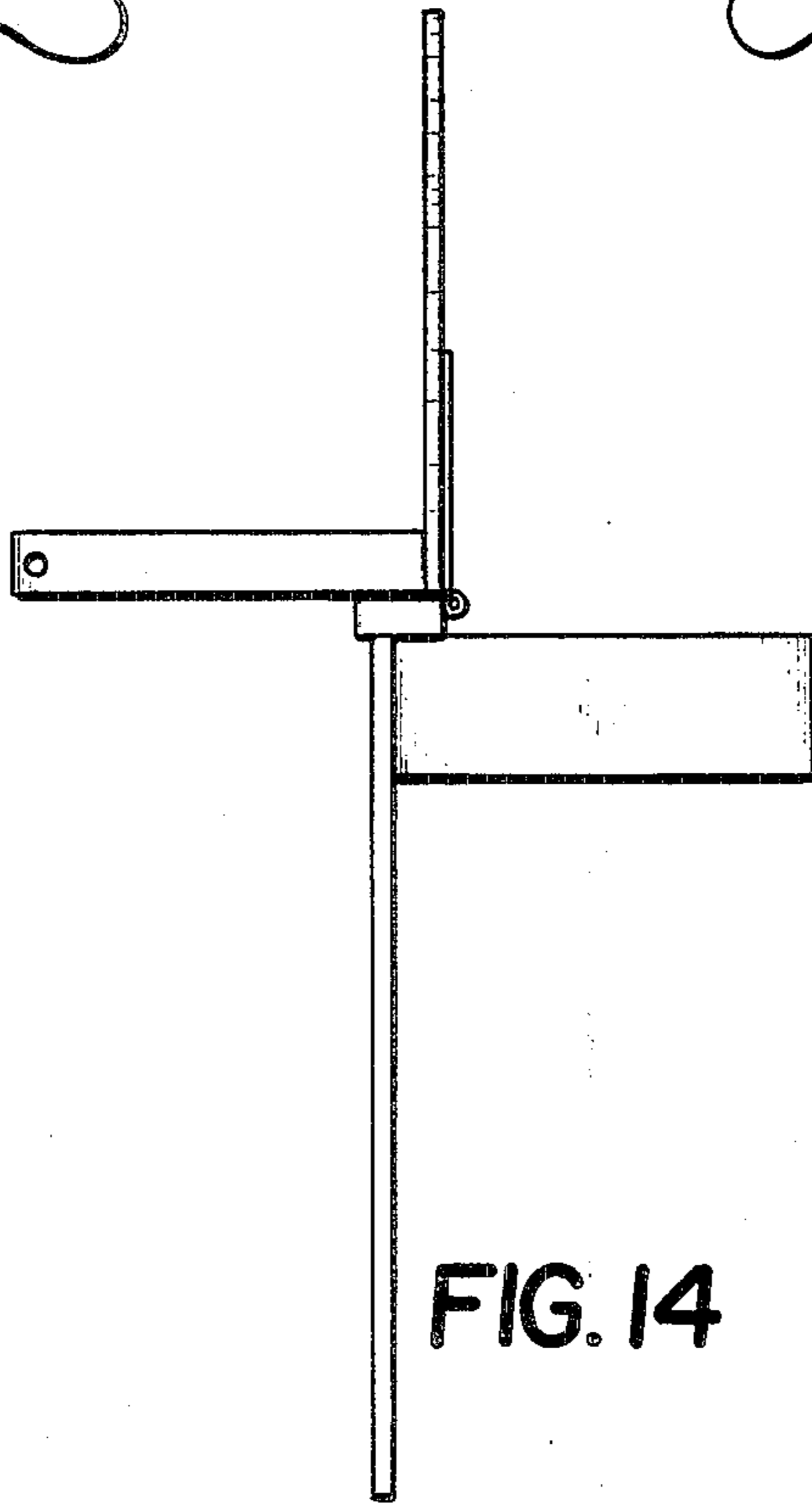


FIG. 14

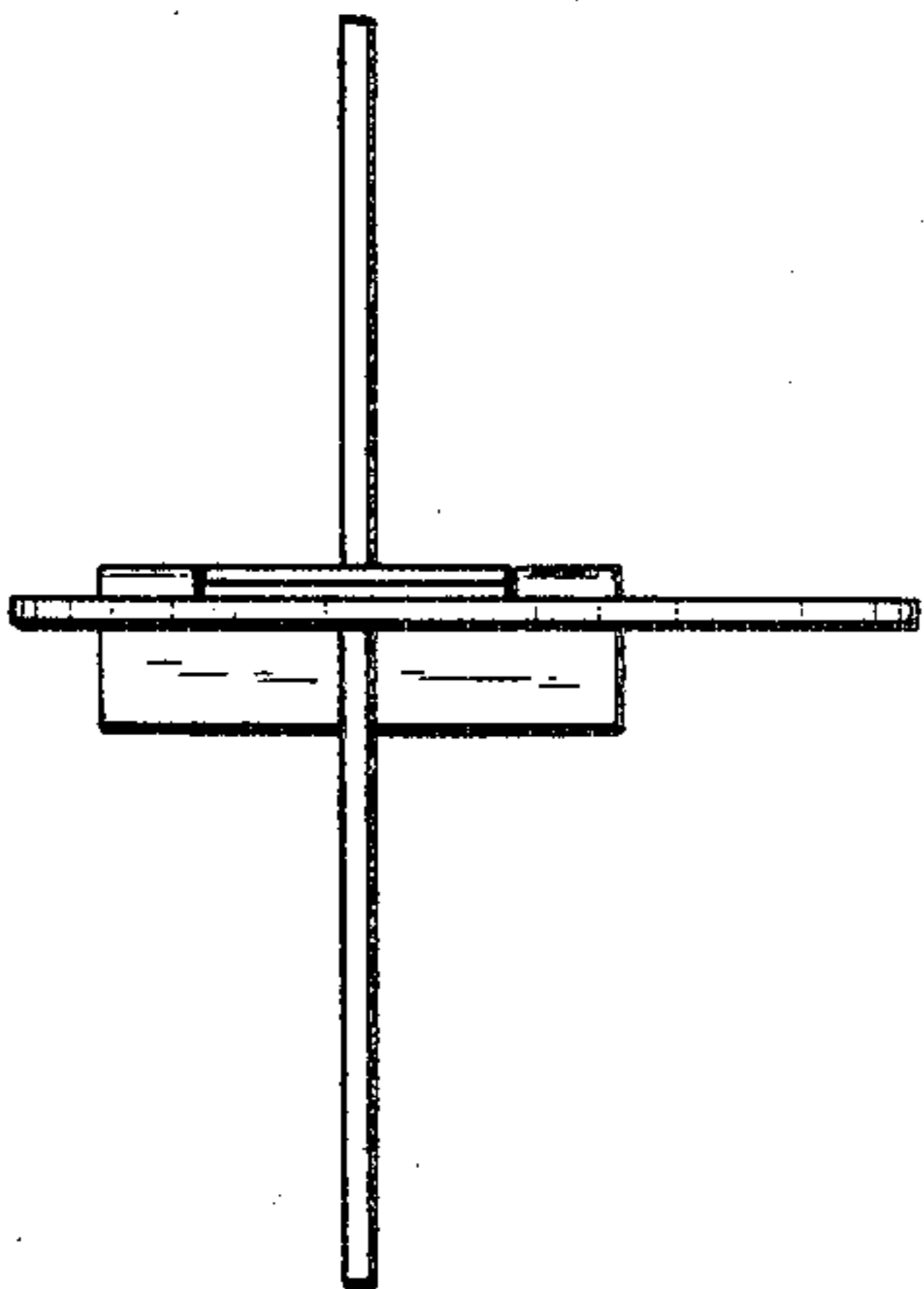


FIG. 16

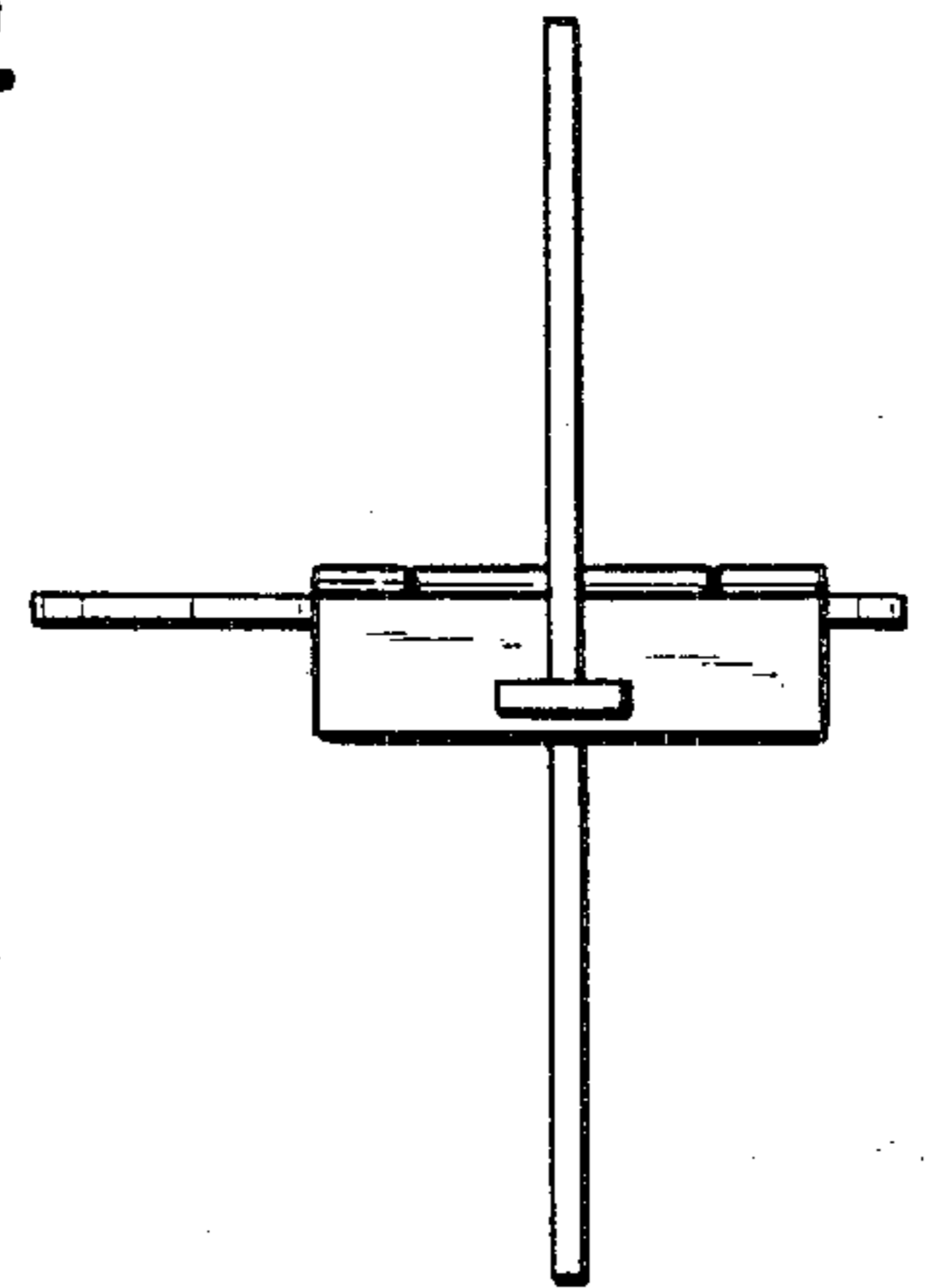


FIG. 17