

[54] **RAIL ELEMENT FOR A TOY RAILWAY**

[75] **Inventor: Nils A. I. Petersson, Killeberg, Sweden**

[73] **Assignee: Brio Toy AB, Osby, Sweden**

[**] **Term: 14 Years**

[21] **Appl. No.: 707,244**

[22] **Filed: Mar. 1, 1985**

Related U.S. Application Data

[62] **Division of Ser. No. 397,076, Jul. 14, 1982, Pat. No. Des. 280,919.**

[30] **Foreign Application Priority Data**

Jan. 22, 1982 [SE] Sweden 820129

[52] **U.S. Cl. D21/143**

[58] **Field of Search D21/143; 446/168; 104/DIG. 1; 238/10 A**

[56] **References Cited**

U.S. PATENT DOCUMENTS

D. 190,088 4/1961 Tilli D21/143
D. 266,529 10/1982 Aoki D21/143
2,231,089 2/1941 Rorer .

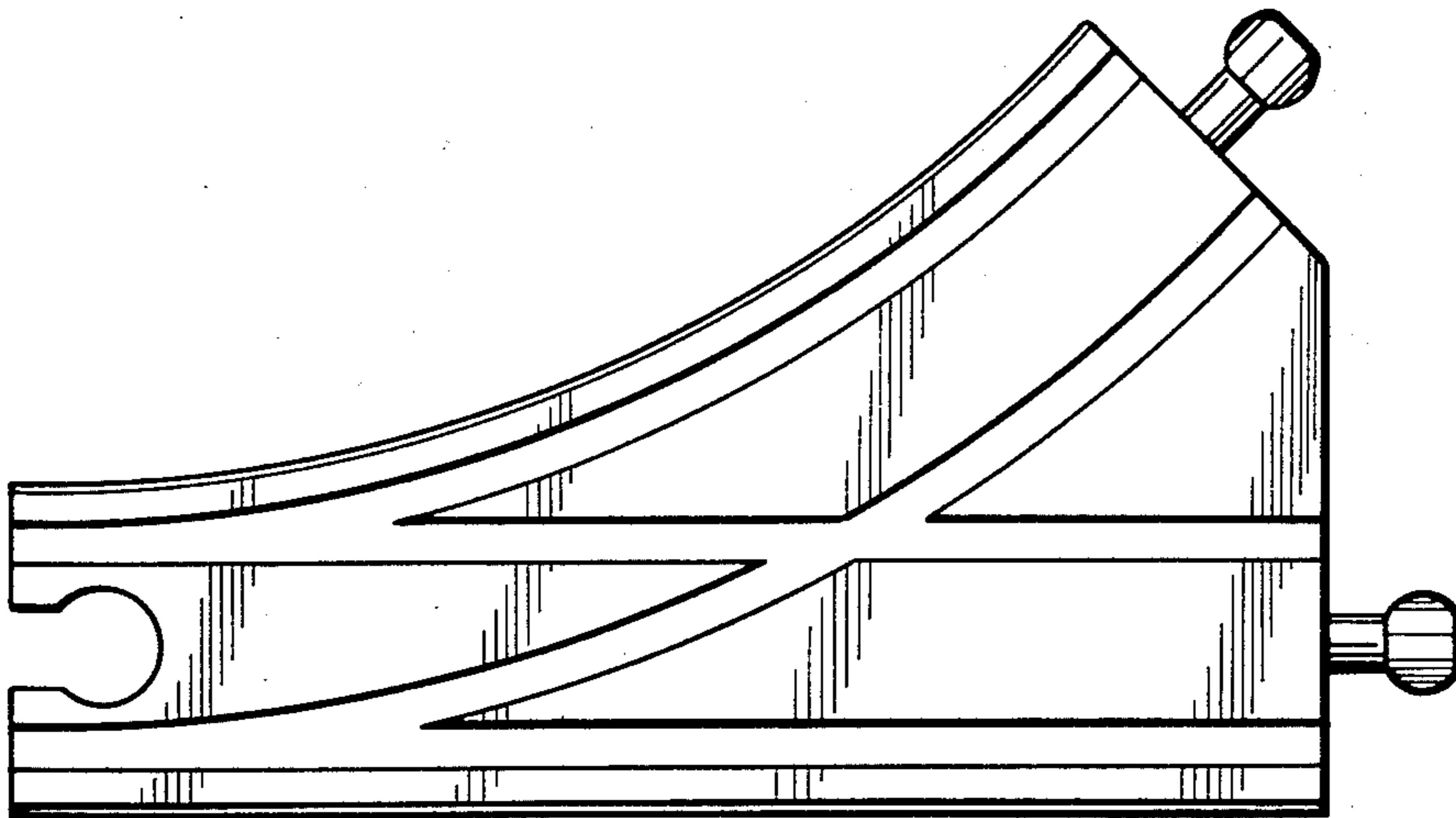
Primary Examiner—Charles A. Rademaker
Attorney, Agent, or Firm—Barnes, Kisselle, Raisch, Choate, Whittemore & Hulbert

[57] **CLAIM**

The ornamental design for a rail element for a toy railway, as shown and described.

DESCRIPTION

FIG. 1 is a top plan view of a rail element for a toy railway showing my new design;
FIG. 2 is a bottom plan view thereof;
FIG. 3 is a left side elevational view thereof;
FIG. 4 is a right side elevational view thereof;
FIG. 5 is a rear elevational view thereof;
FIG. 6 is a front elevational view thereof.



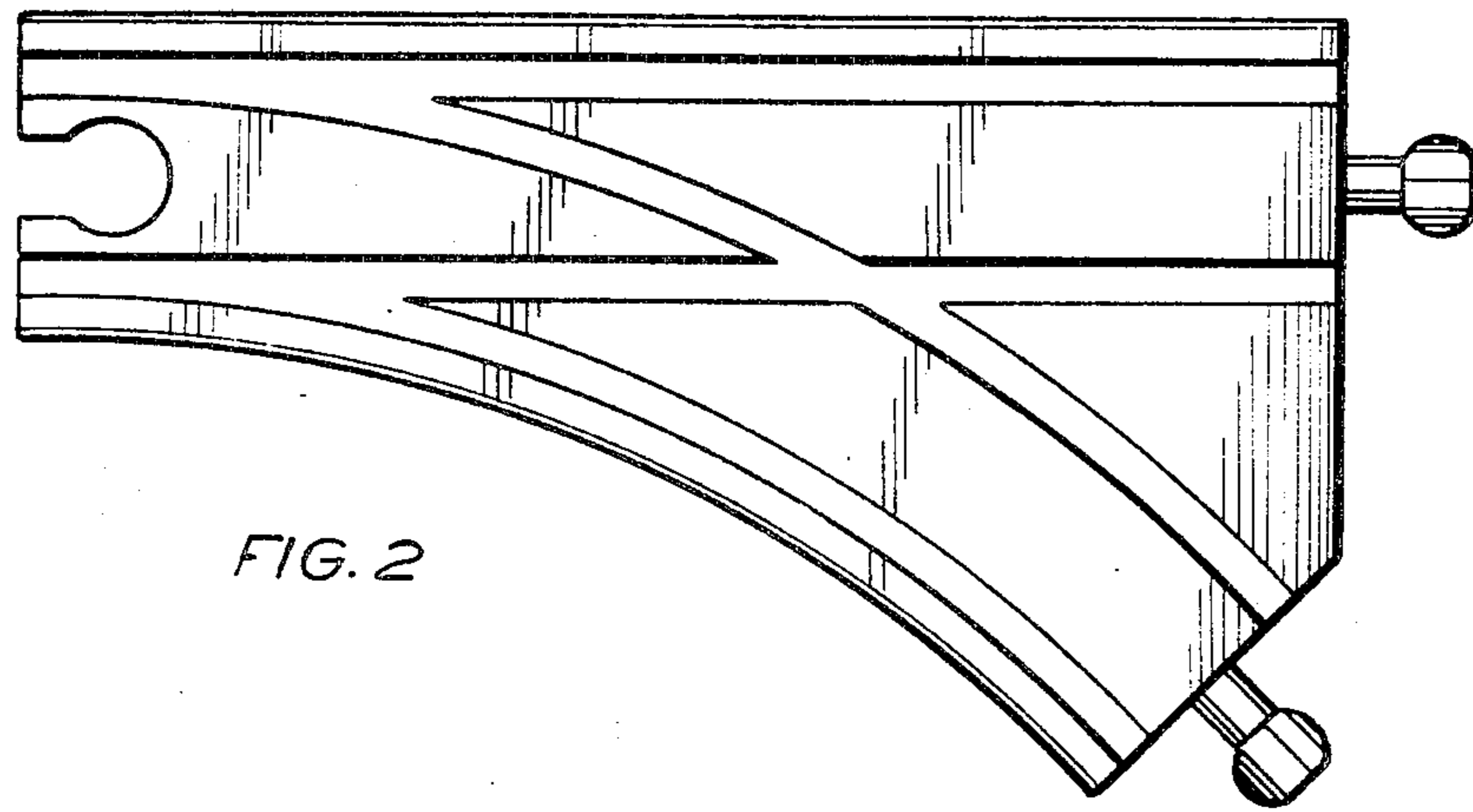
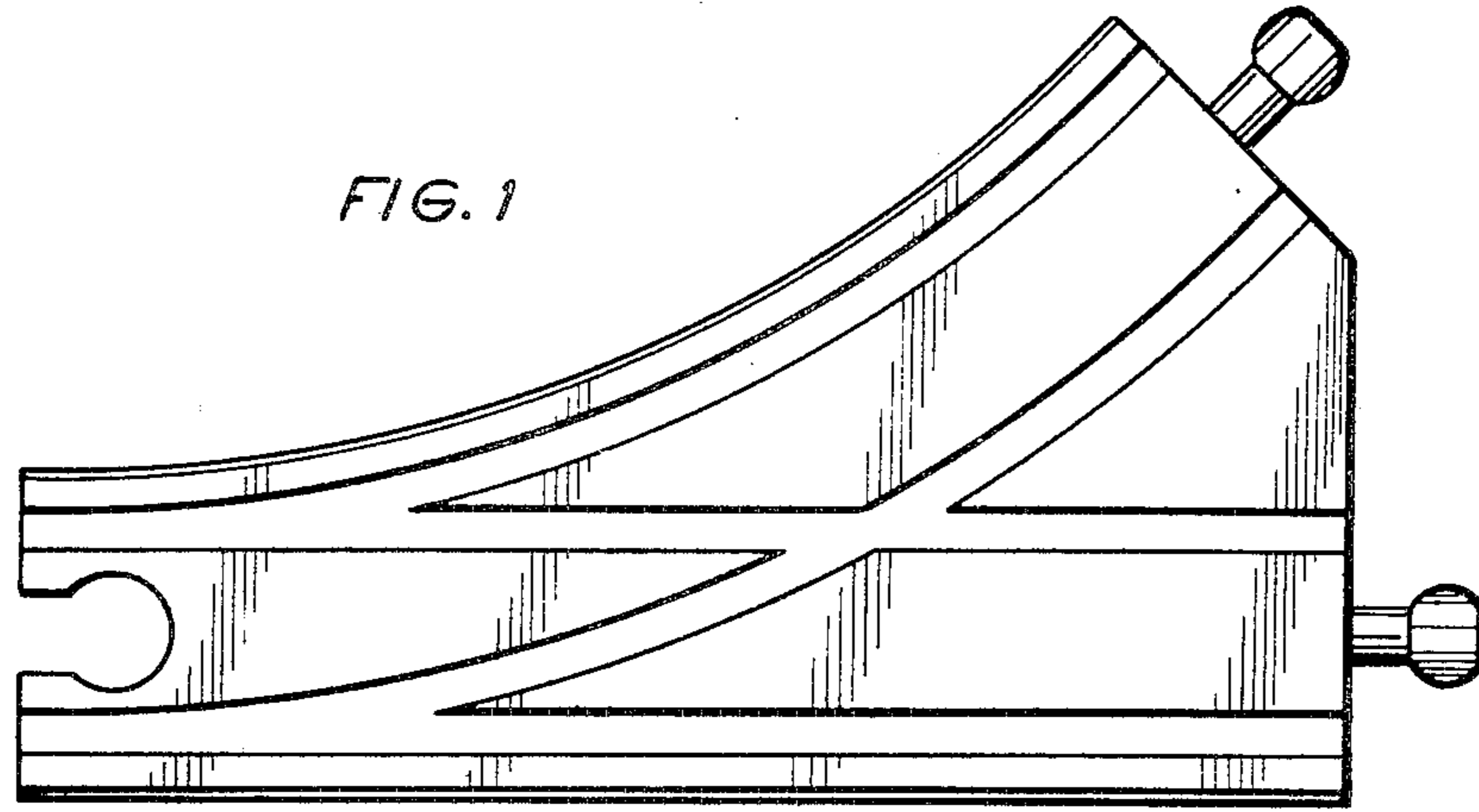


FIG. 3

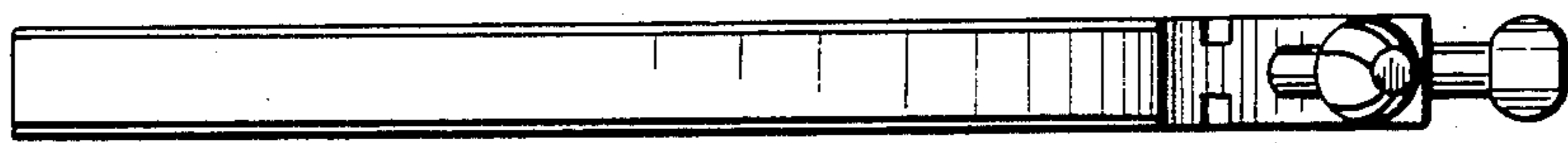


FIG. 4

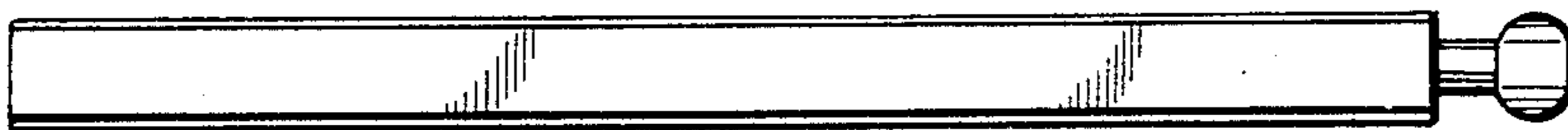


FIG. 5

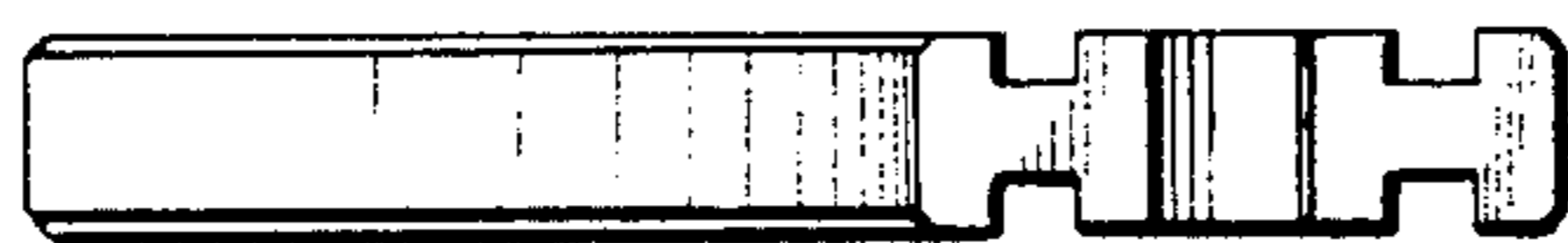


FIG. 6

