

[54] **RECONFIGURABLE TOY LOCK**

[75] **Inventor: Masaki Maruyama, Tokyo, Japan**

[73] **Assignee: Takara Co., Ltd., Tokyo, Japan**

[**] **Term: 14 Years**

[21] **Appl. No.: 641,373**

[22] **Filed: Aug. 16, 1984**

[30] **Foreign Application Priority Data**

May 22, 1984 [JP] Japan 59-20707
[52] U.S. Cl. D21/109; D8/334;
D21/150; D21/166
[58] **Field of Search** D21/59, 109, 150, 166;
D8/334; 446/72, 71, 146, 376, 390, 487

[56] **References Cited**

U.S. PATENT DOCUMENTS

D. 262,390 12/1981 Pippus D21/109
D. 281,087 10/1985 Ohno D21/166
4,571,201 2/1986 Matsuda 446/487

OTHER PUBLICATIONS

Greyhound Gift House Catalog, ©1974, p. 38, Travel Lock.

Primary Examiner—Charles A. Rademaker
Attorney, Agent, or Firm—Price, Gess & Ubell

[57] **CLAIM**

The ornamental design for a reconfigurable toy lock, as shown and described.

DESCRIPTION

FIG. 1 is a front perspective view of a reconfigurable toy lock showing my new design;
FIG. 2 is a front elevational view thereof;
FIG. 3 is a right side elevational view thereof;
FIG. 4 is a top plan view thereof;
FIG. 5 is a bottom plan view thereof;
FIG. 6 is a rear elevational view thereof;
FIG. 7 is a left side elevational view thereof;
FIG. 8 is a front elevational view of the design shown in FIGS. 1 through 8 in a humanoid robot configuration;
FIG. 9 is a front elevational view thereof;
FIG. 10 is a right side elevational view thereof;
FIG. 11 is a top plan view thereof;
FIG. 12 is a bottom plan view thereof;
FIG. 13 is a left side elevational view thereof; and,
FIG. 14 is a rear elevational view thereof.

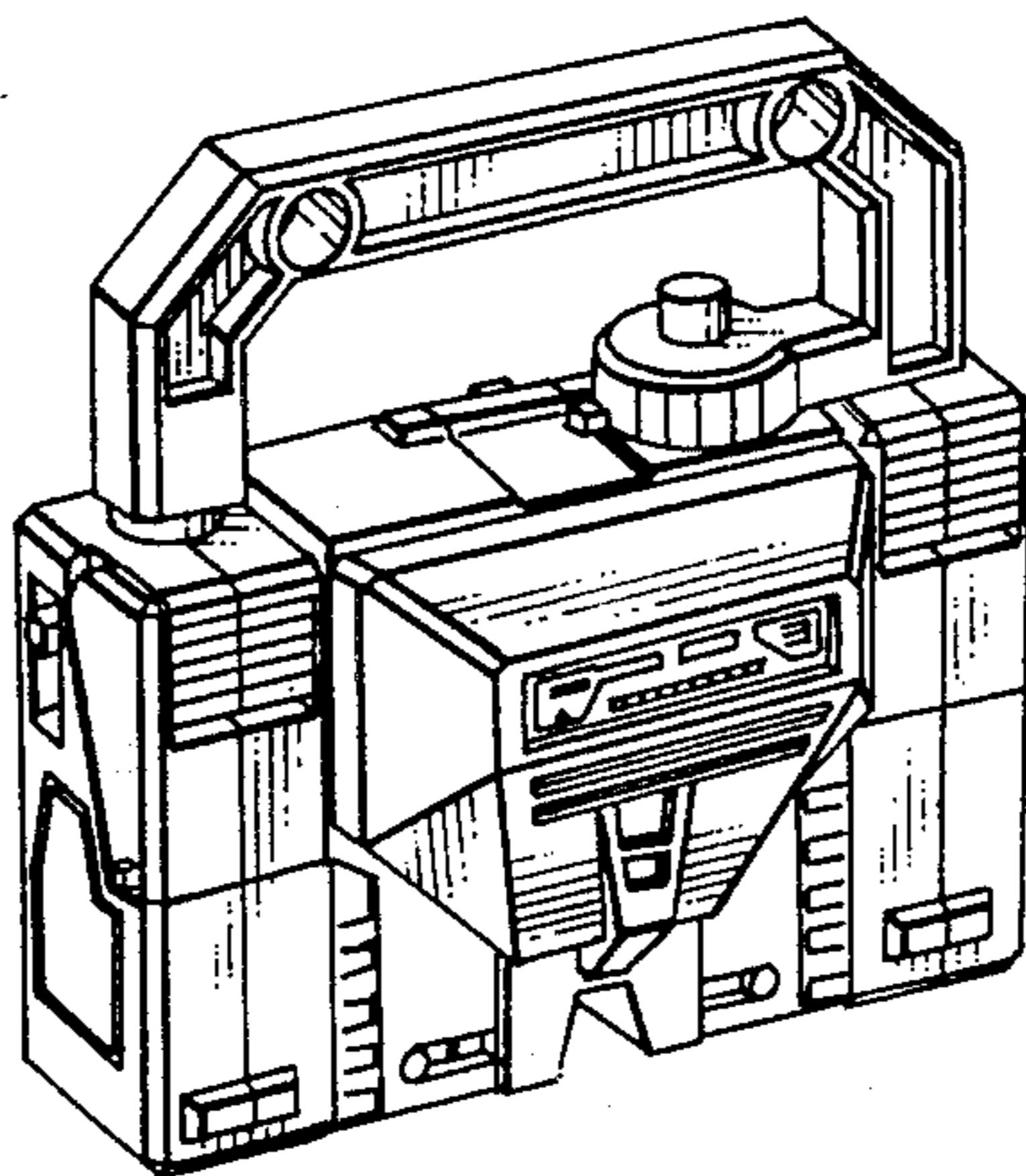


FIG.1

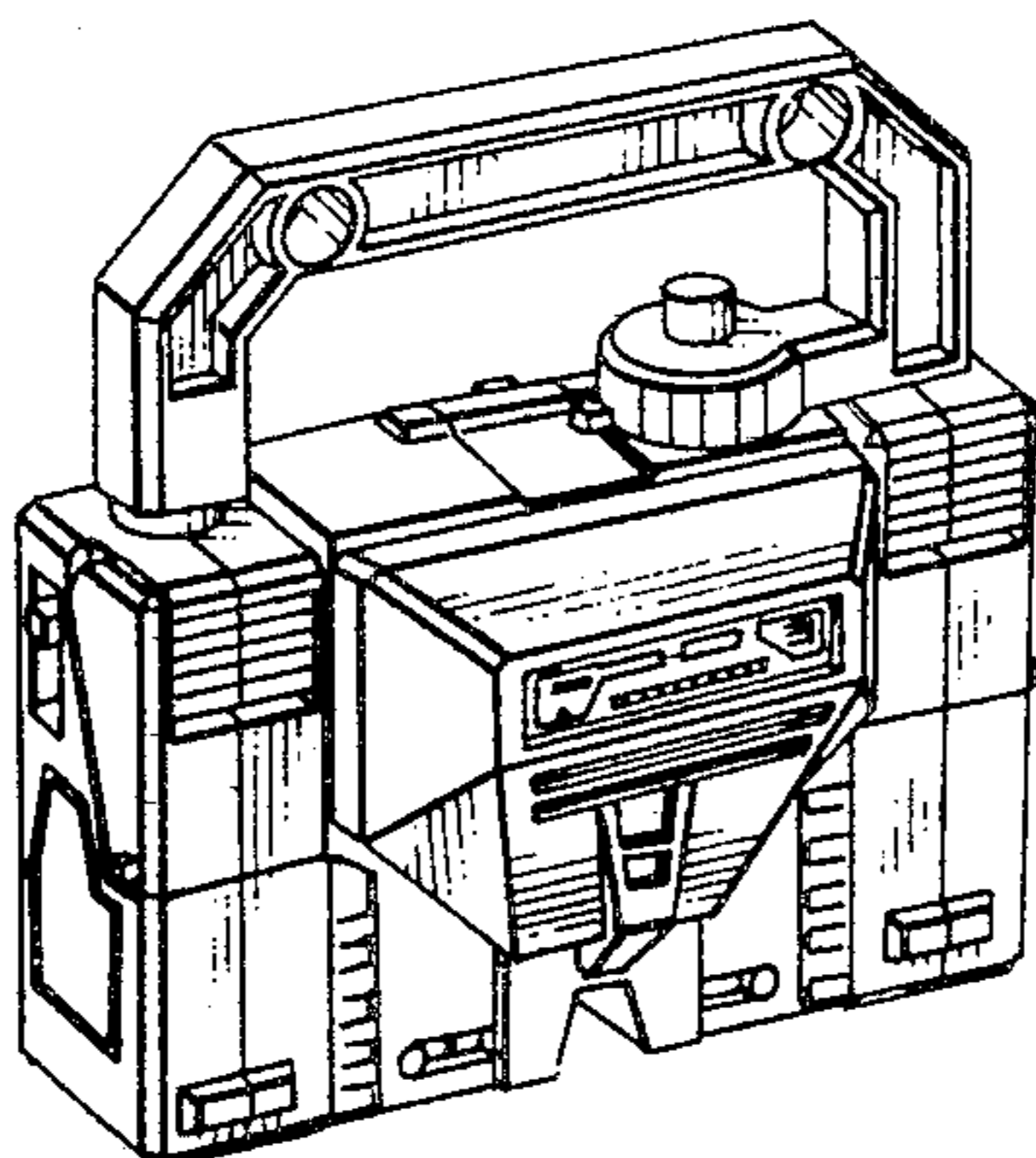


FIG.2

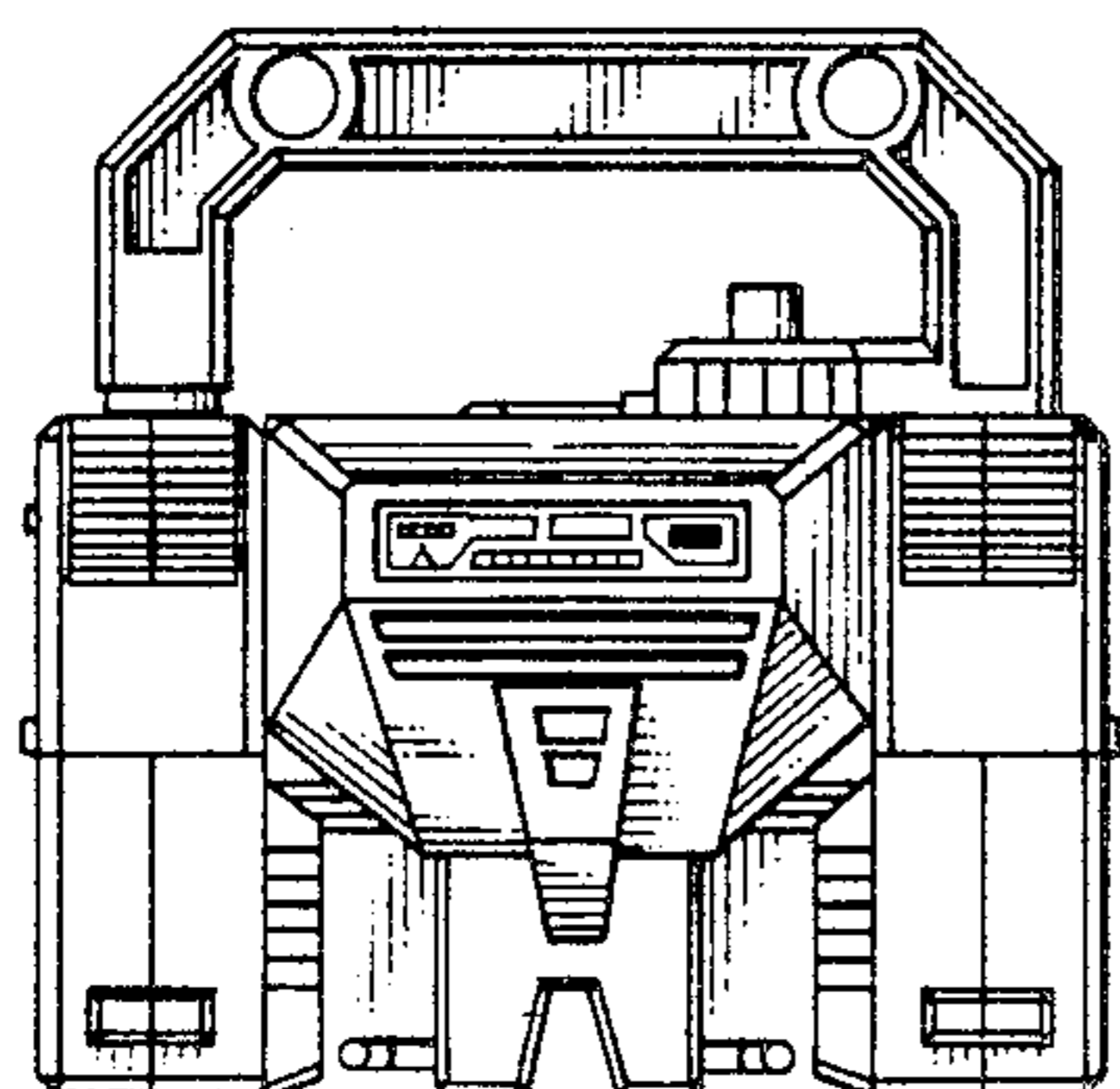


FIG.3

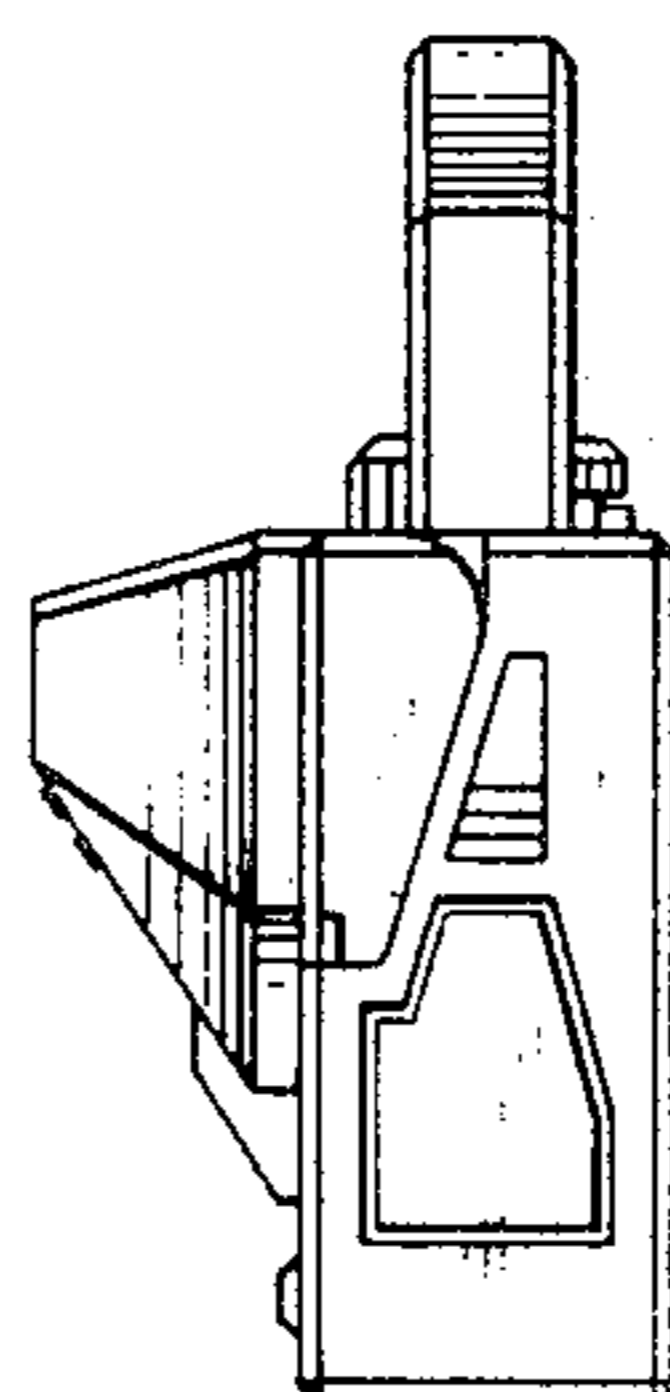


FIG.4

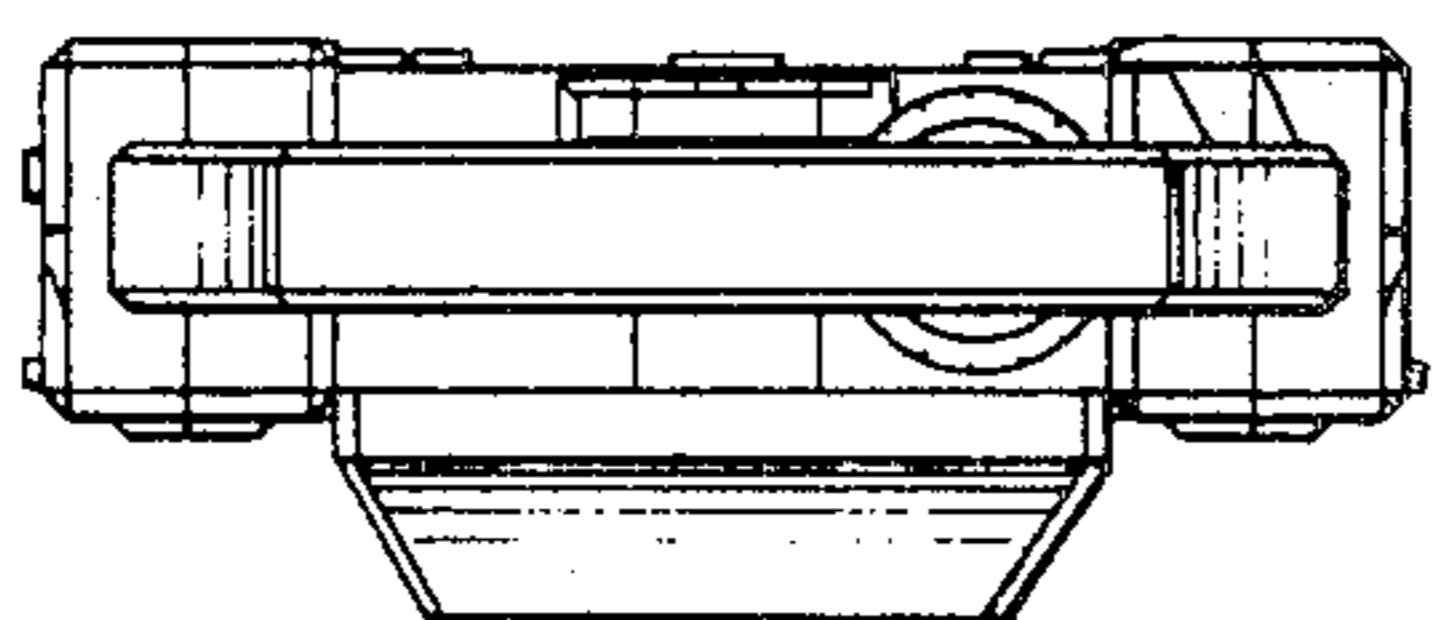


FIG.5

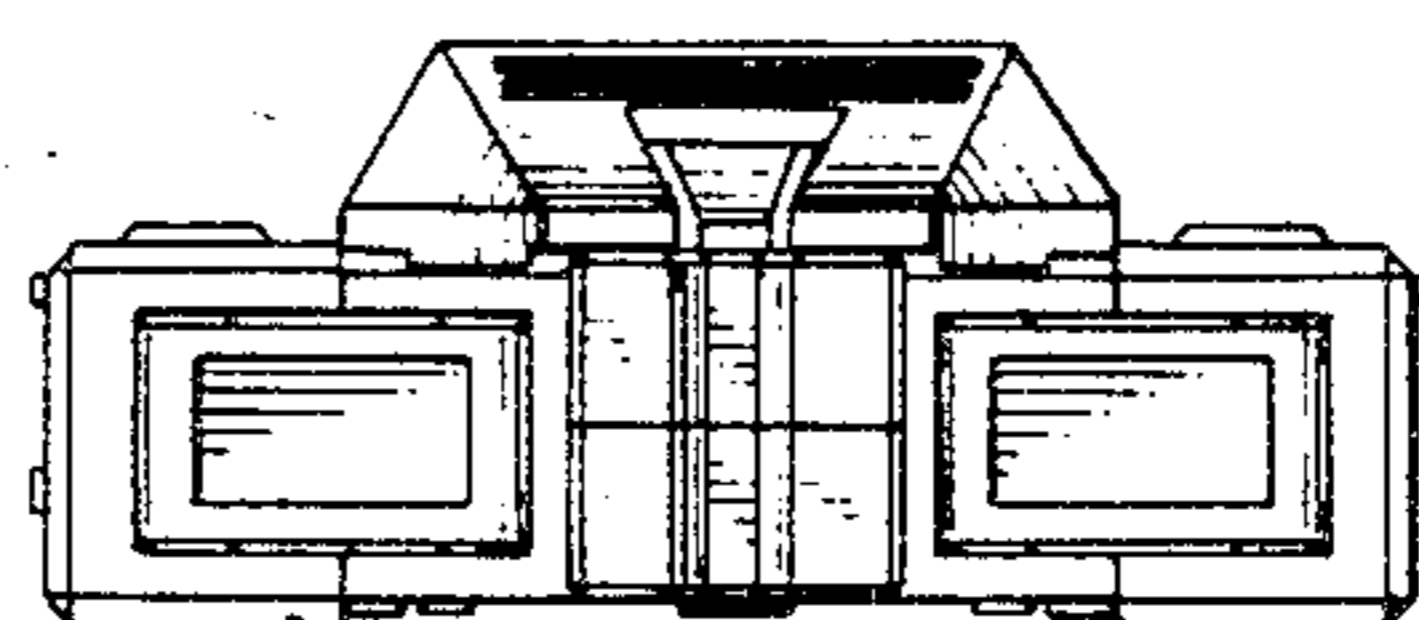


FIG. 6

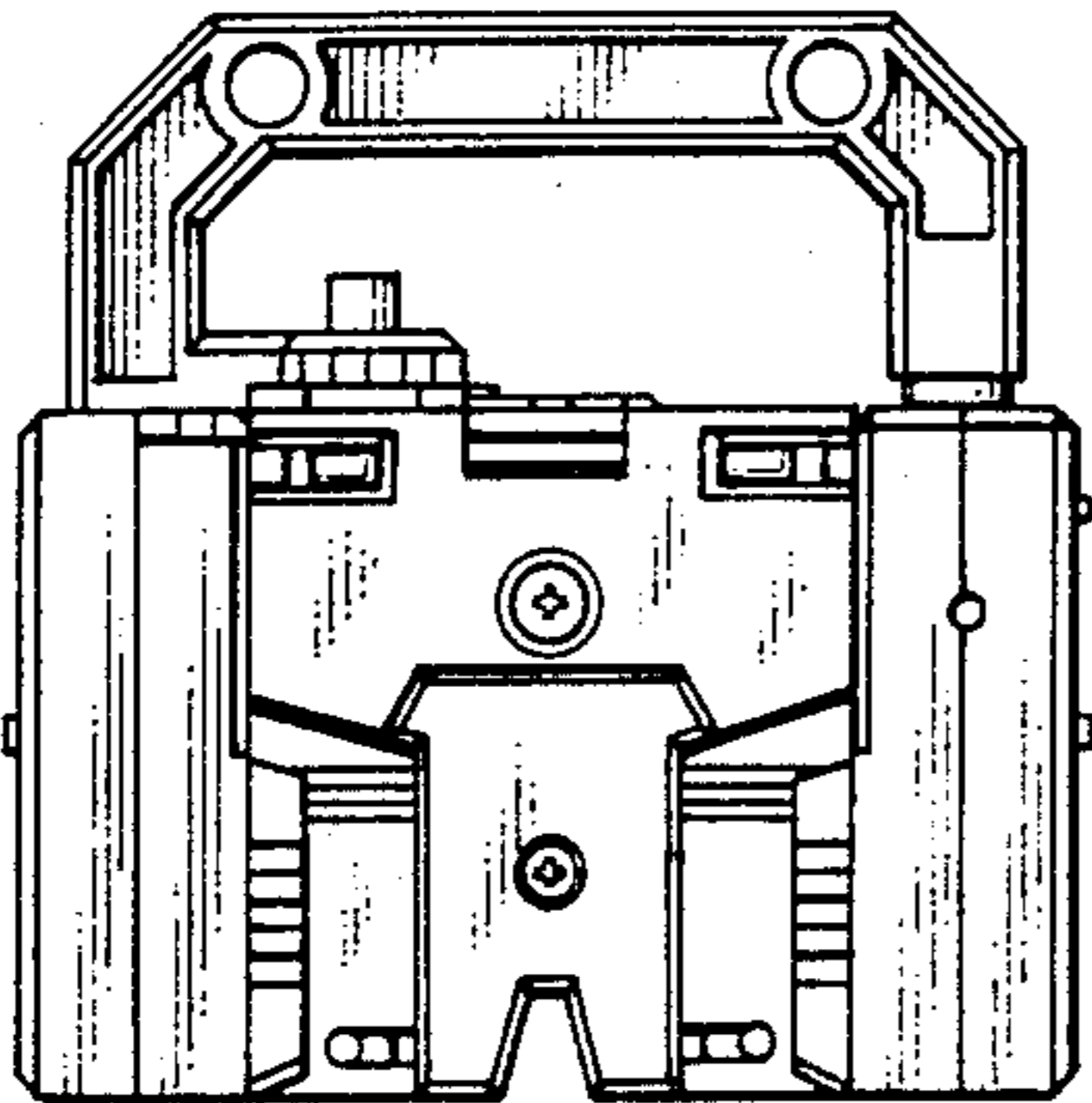


FIG. 7

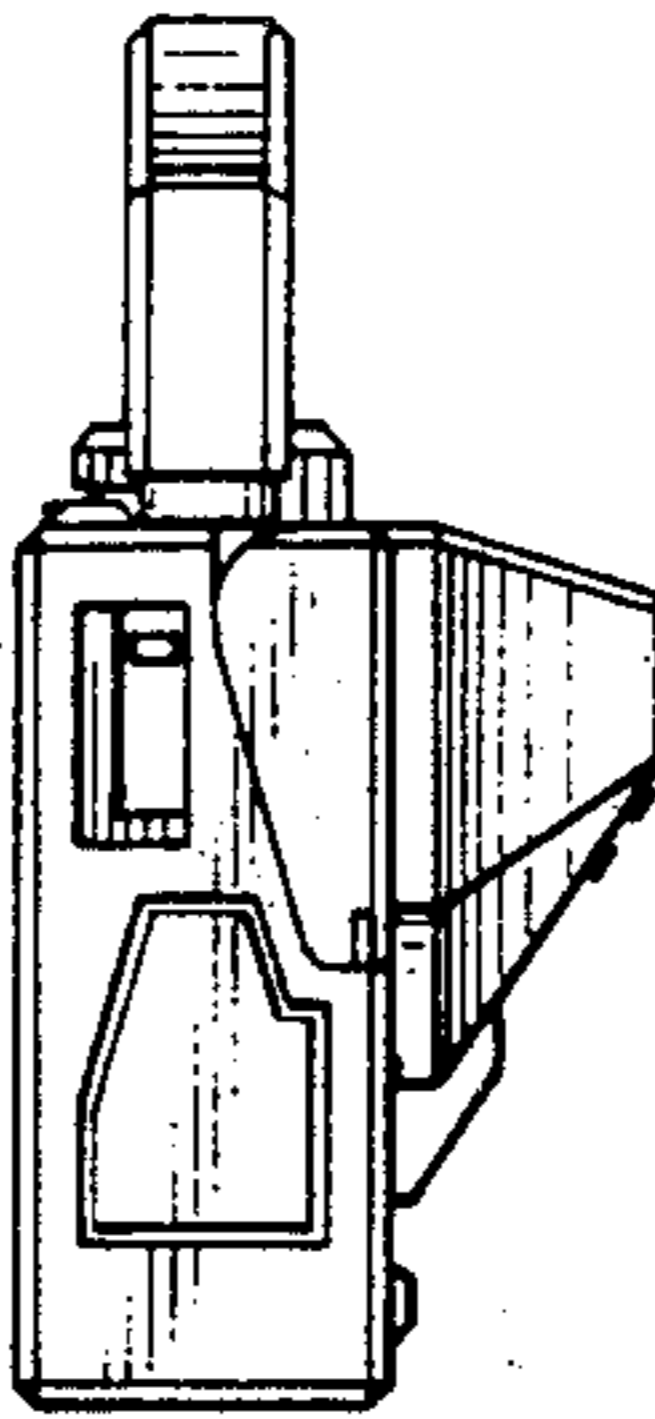


FIG. 8

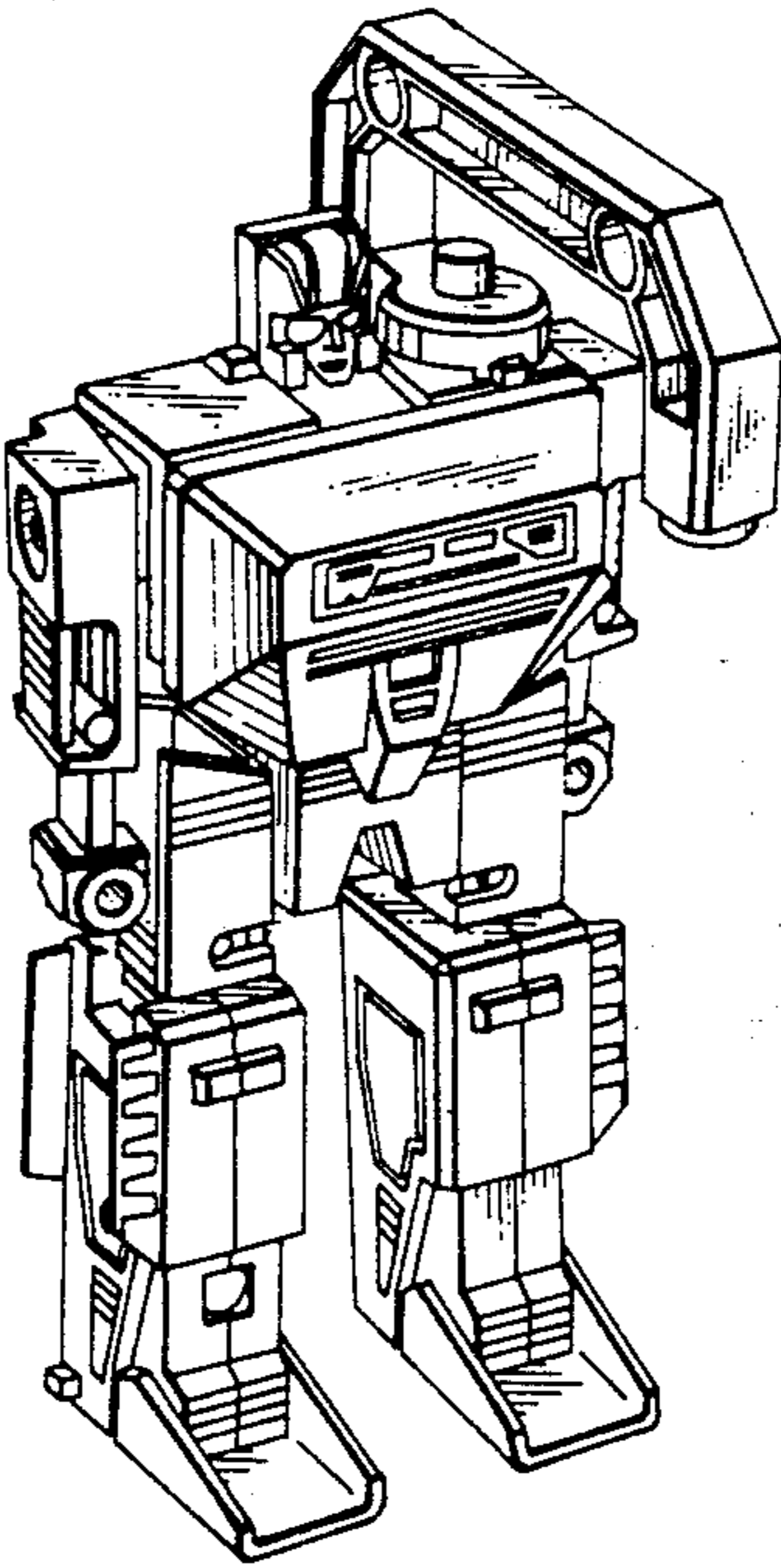


FIG.9

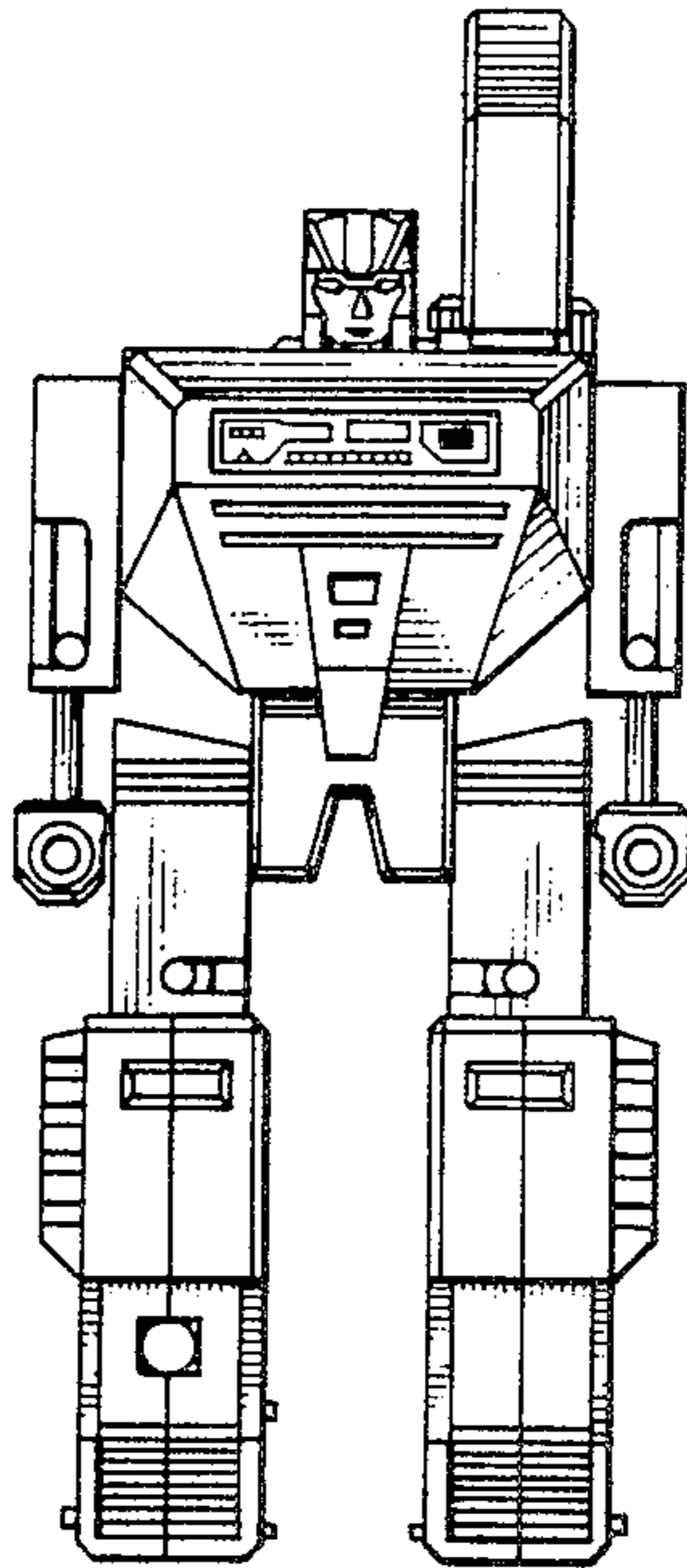


FIG.10

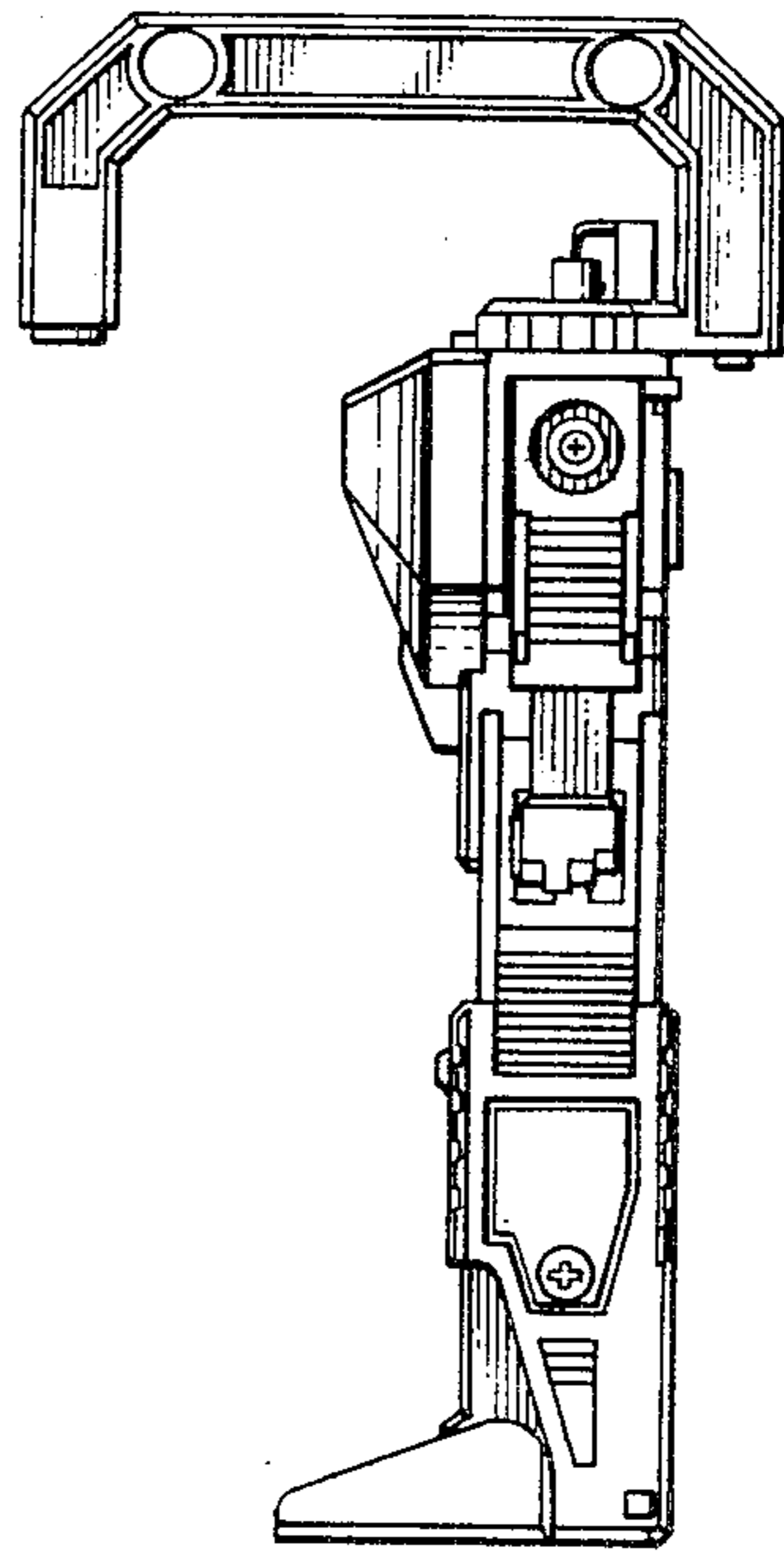


FIG.11

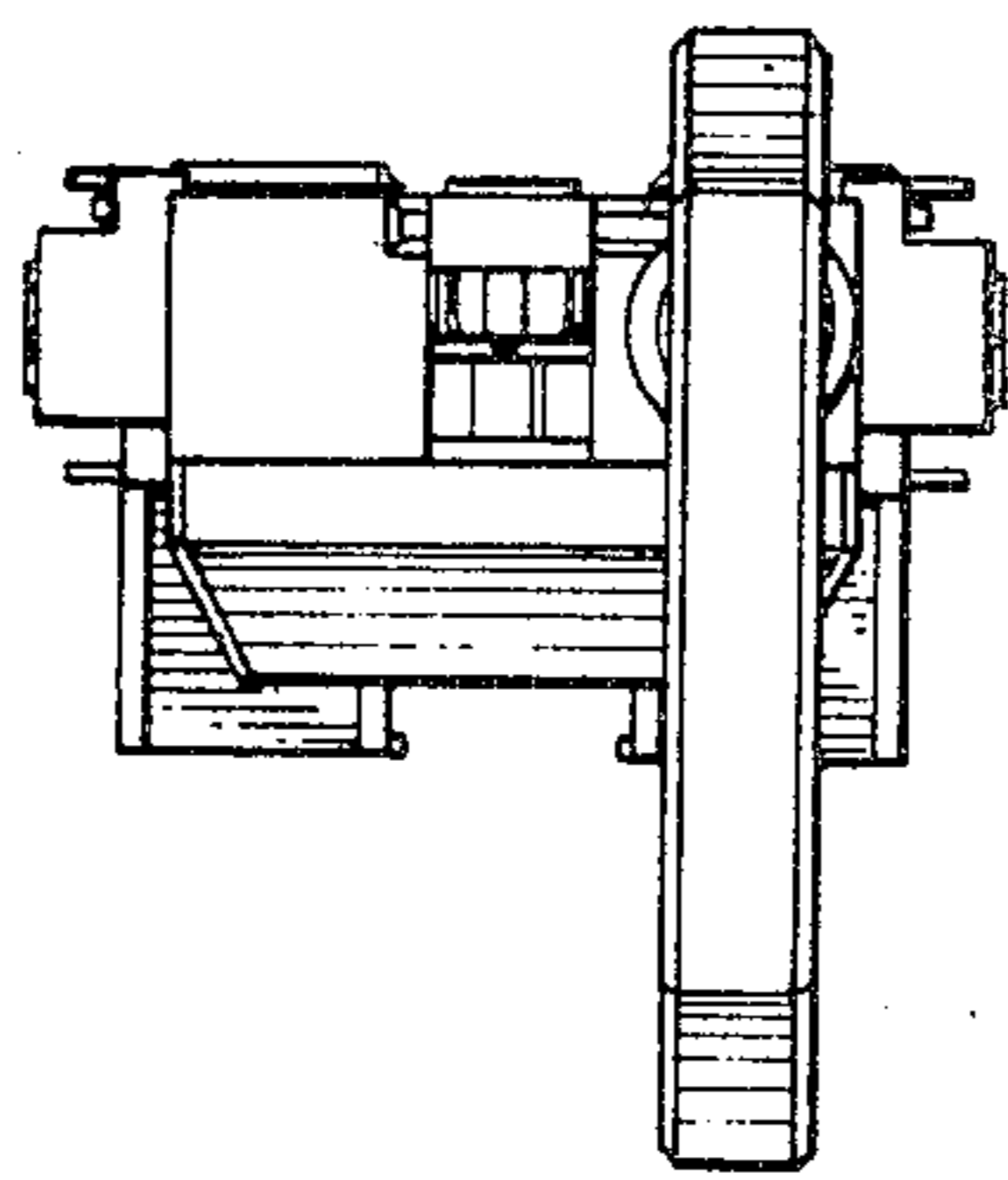


FIG.12

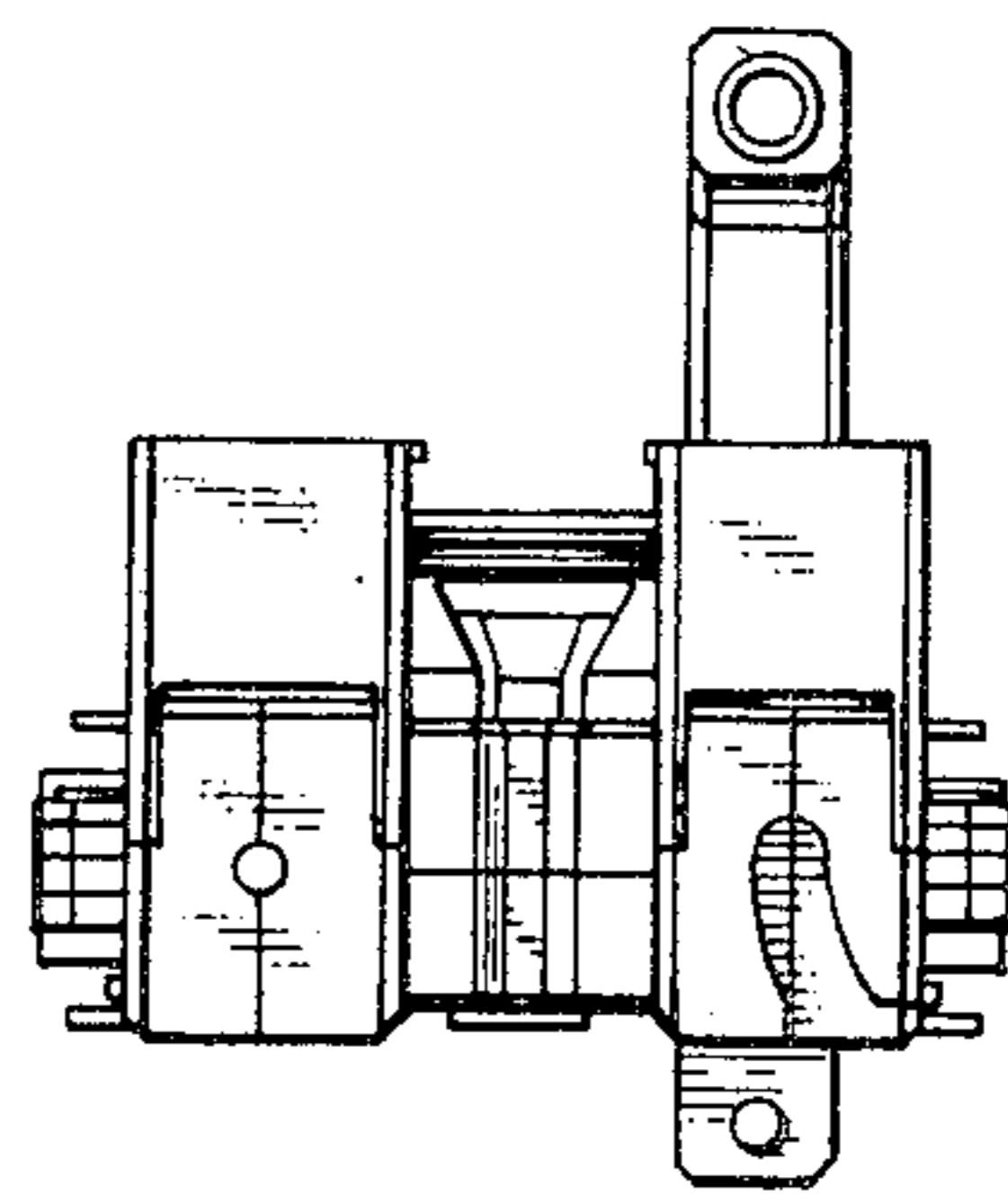


FIG.13

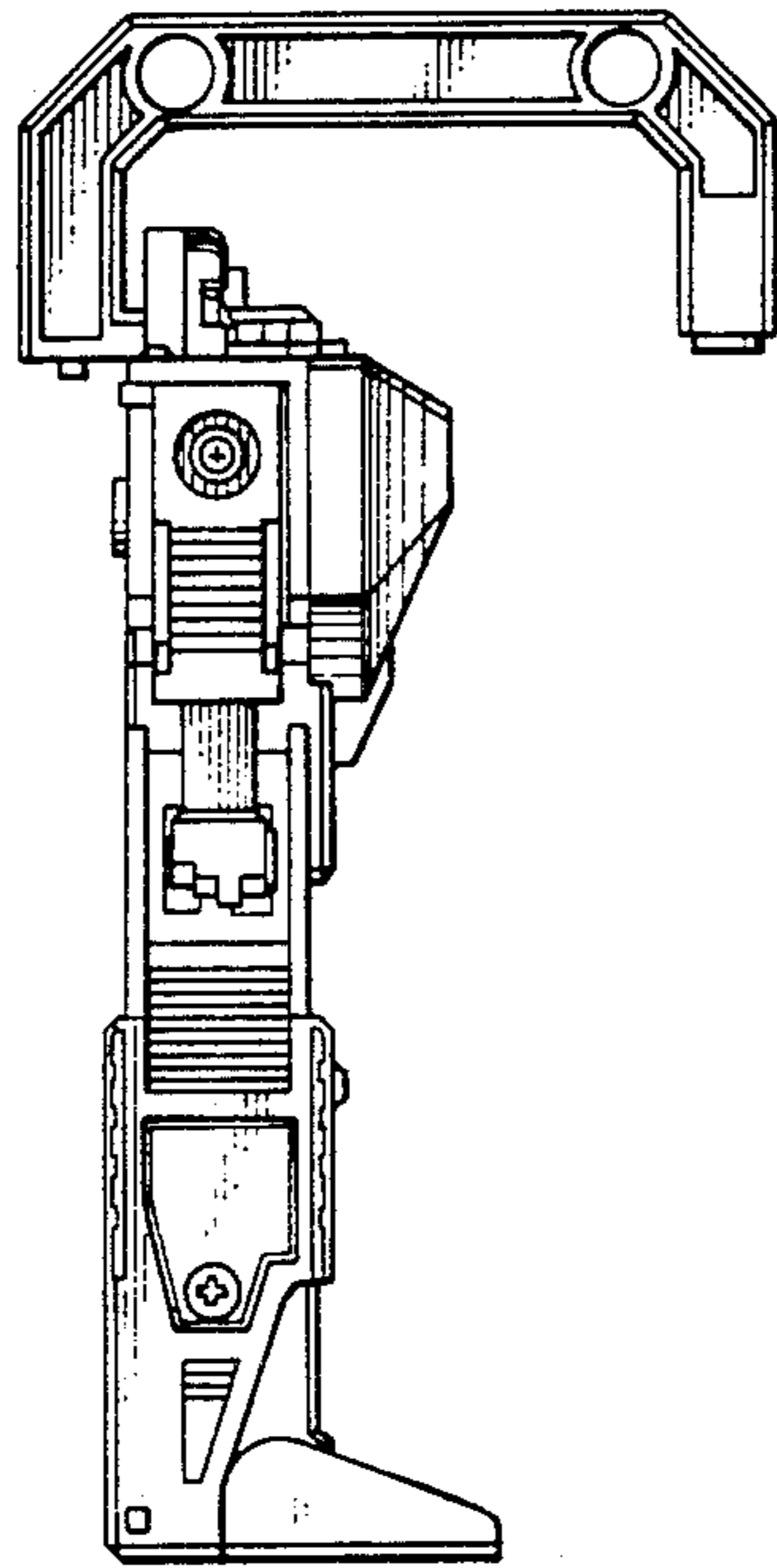


FIG.14

