

[54] **COMBINED BOOK HOLDER AND LIGHT ASSEMBLY**

[76] **Inventor: Bruce W. Creed, 4379 S. Dye Rd., Swartz Creek, Mich. 48473**

[**] **Term: 14 Years**

[21] **Appl. No.: 602,918**

[22] **Filed: Apr. 23, 1984**

[52] **U.S. Cl. D19/91; D19/36; D26/51**

[58] **Field of Search D19/88, 91, 52, 36; D26/51, 56; 362/98; 248/442.2, 447.2, 441.1**

[56] **References Cited**

U.S. PATENT DOCUMENTS

D. 217,830	6/1970	Heller	D26/51
D. 239,531	4/1976	Clowe	D19/91
D. 256,072	7/1980	Parker	D26/51
D. 271,501	11/1983	Manning et al.	D19/91

D. 279,482	7/1985	Ermanski	D19/91
4,021,013	5/1977	Wiersma	362/98

Primary Examiner—George P. Word
Attorney, Agent, or Firm—Harry R. Dumont

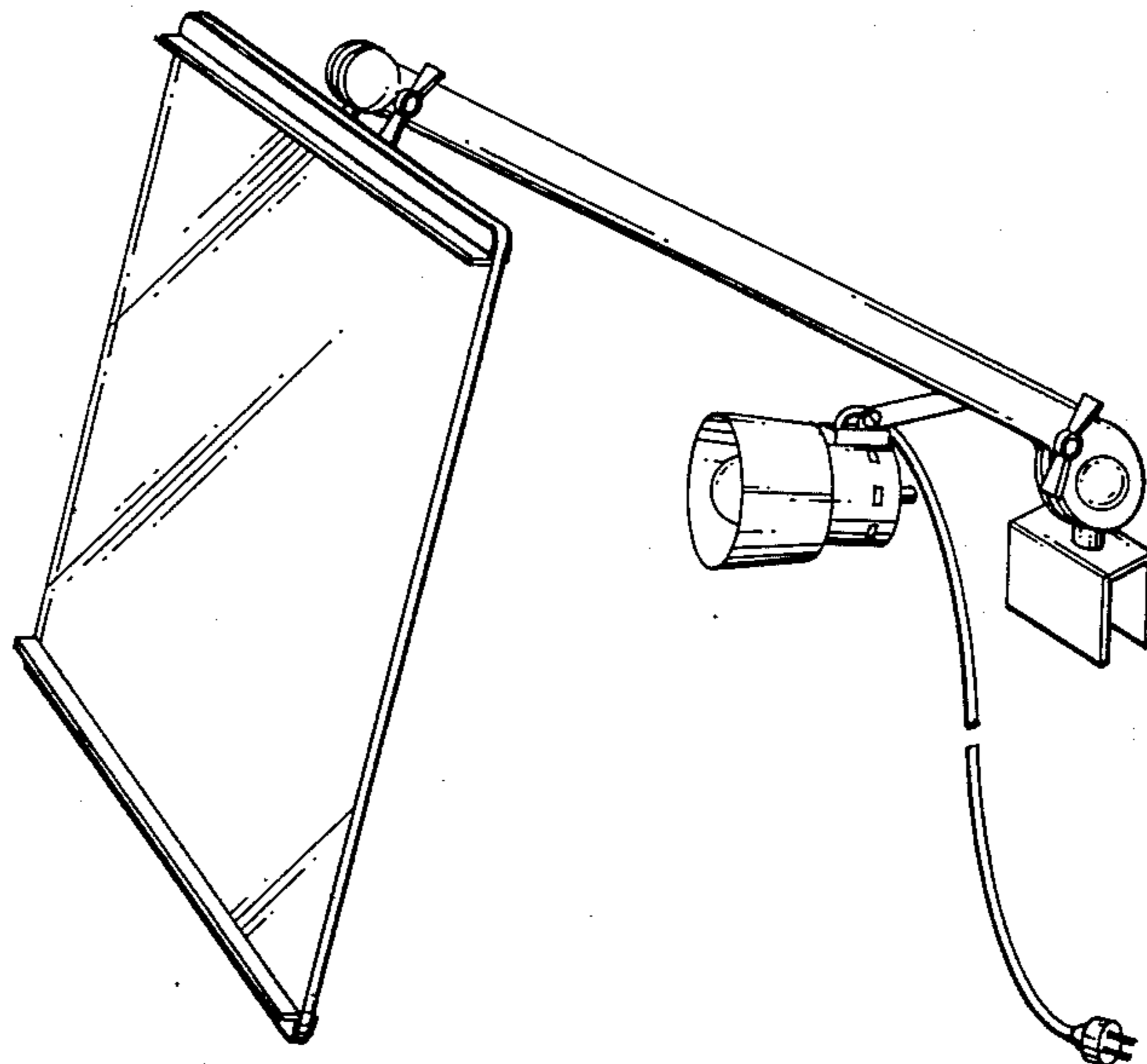
[57] **CLAIM**

The ornamental design for a combined book holder and light assembly, as shown and described.

DESCRIPTION

FIG. 1 is a perspective view of a combined book holder and light assembly showing my new design; FIG. 2 is a front elevational view thereof; FIG. 3 is a rear elevational view thereof; FIG. 4 is a top plan view thereof; FIG. 5 is a bottom plan view thereof; FIG. 6 is a right side elevational view thereof; and FIG. 7 is a left side elevational view thereof.

An intermediate portion of the conventional power cord has been broken away and omitted for convenience of illustration.



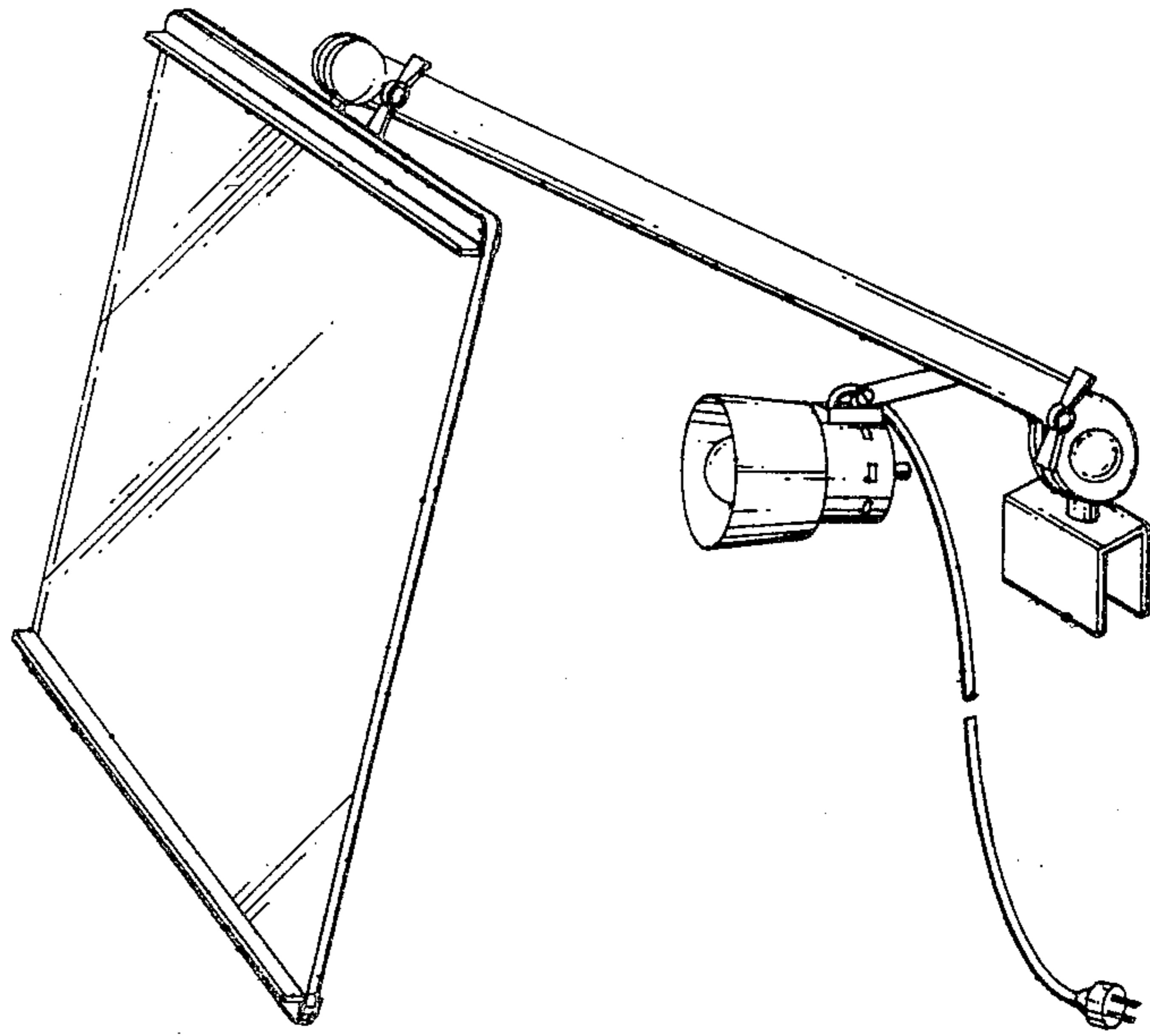


Fig. 1

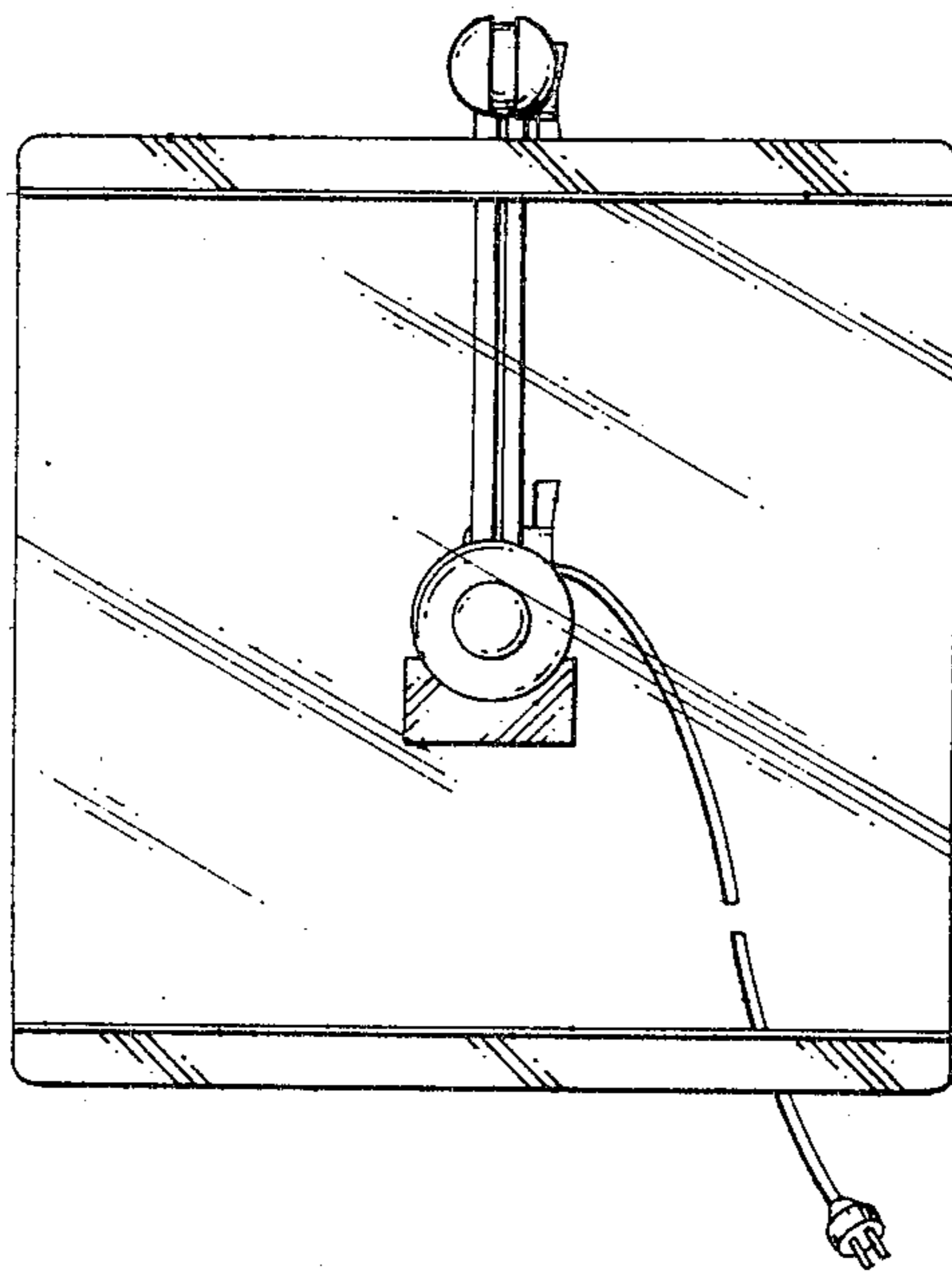


Fig. 2

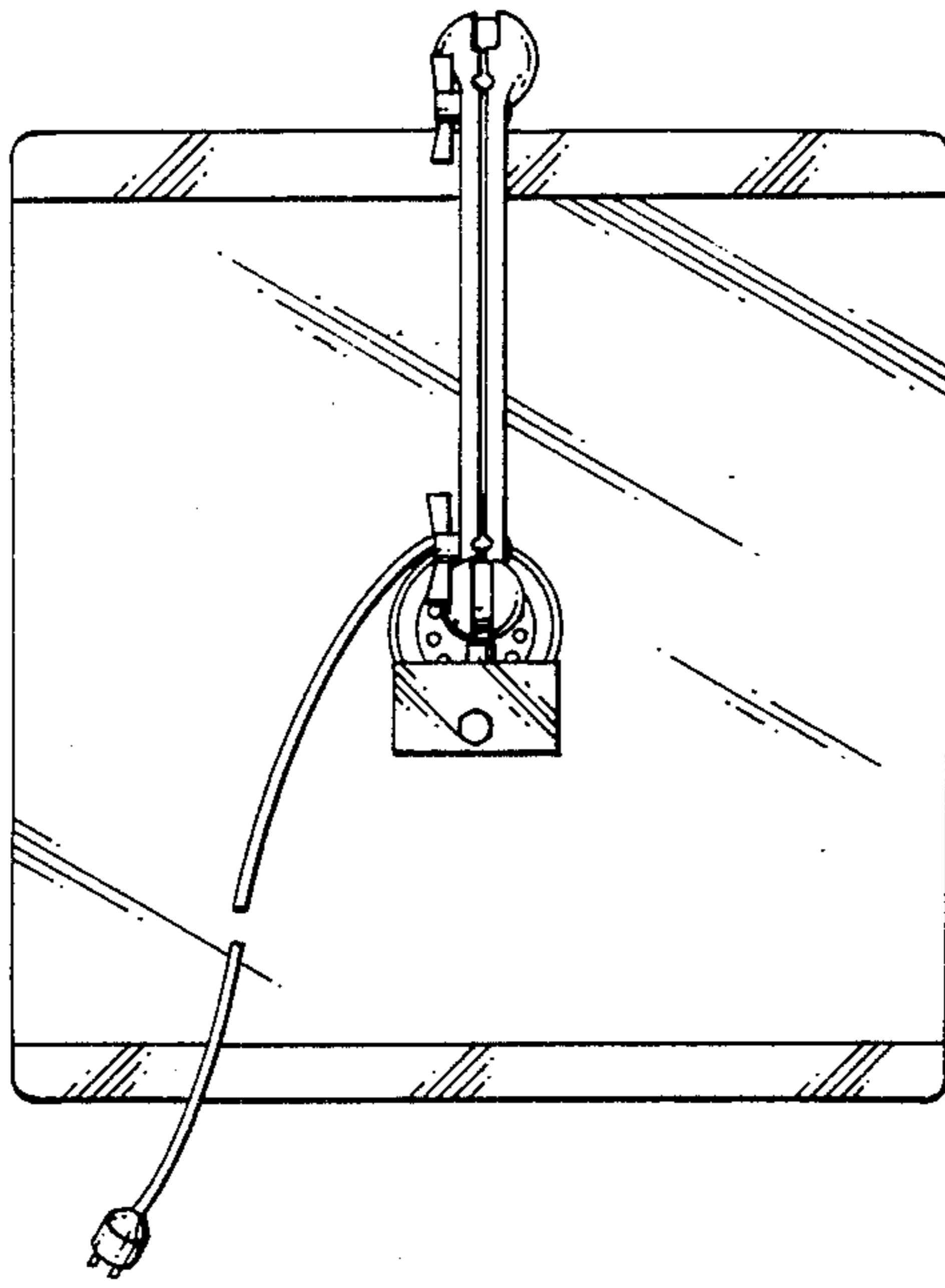


Fig. 3

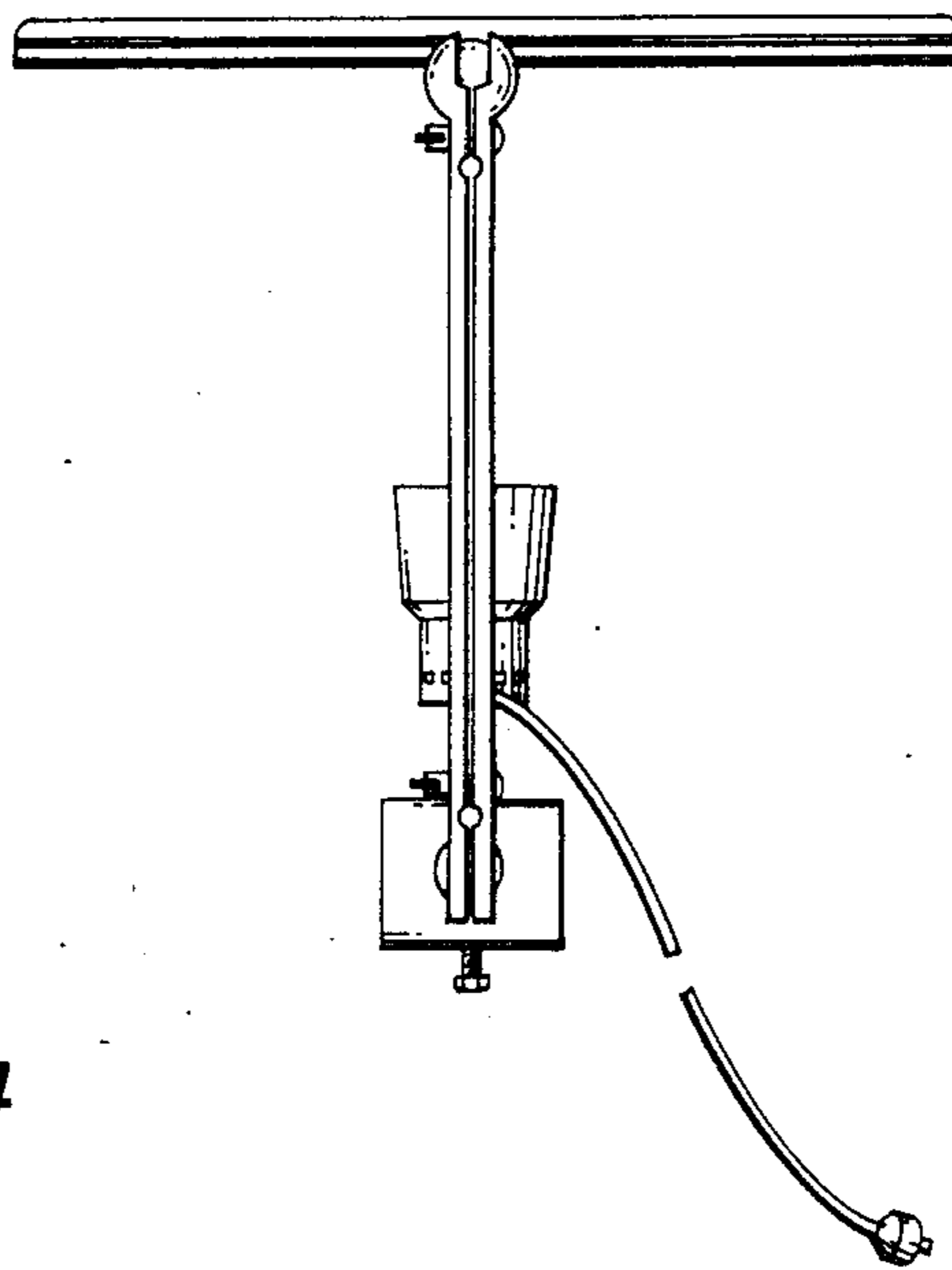


Fig. 4

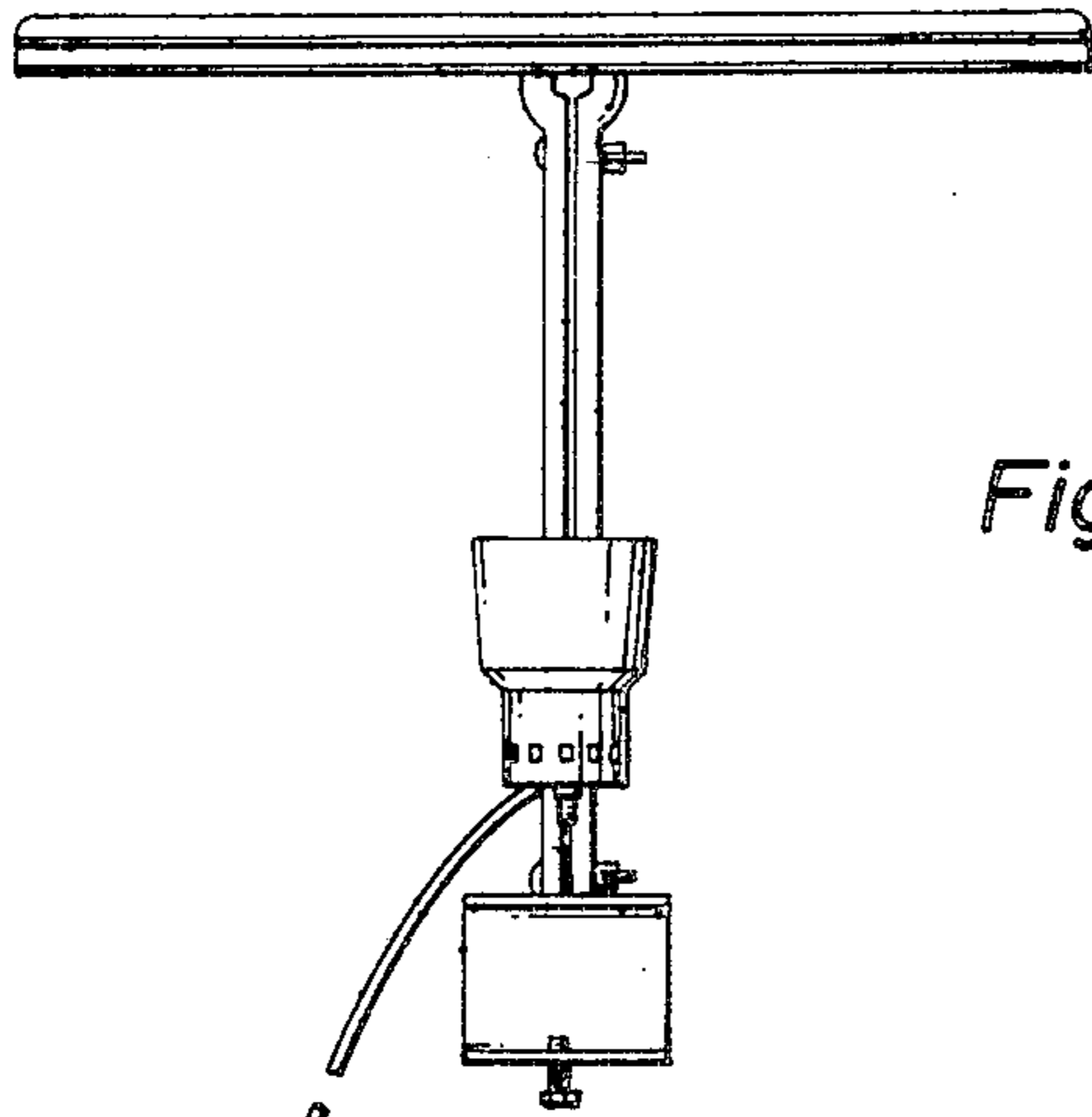


Fig. 5

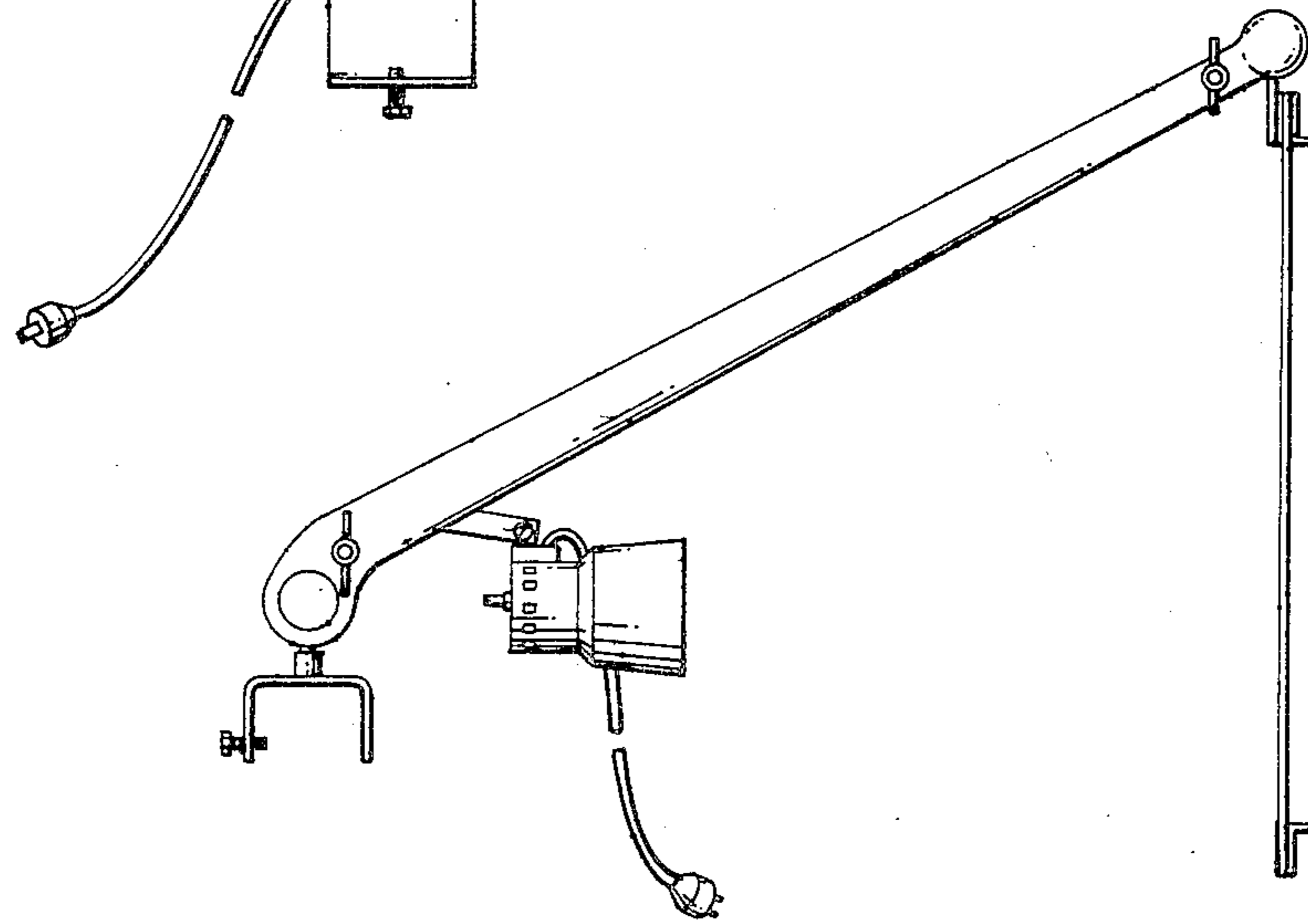


Fig. 6

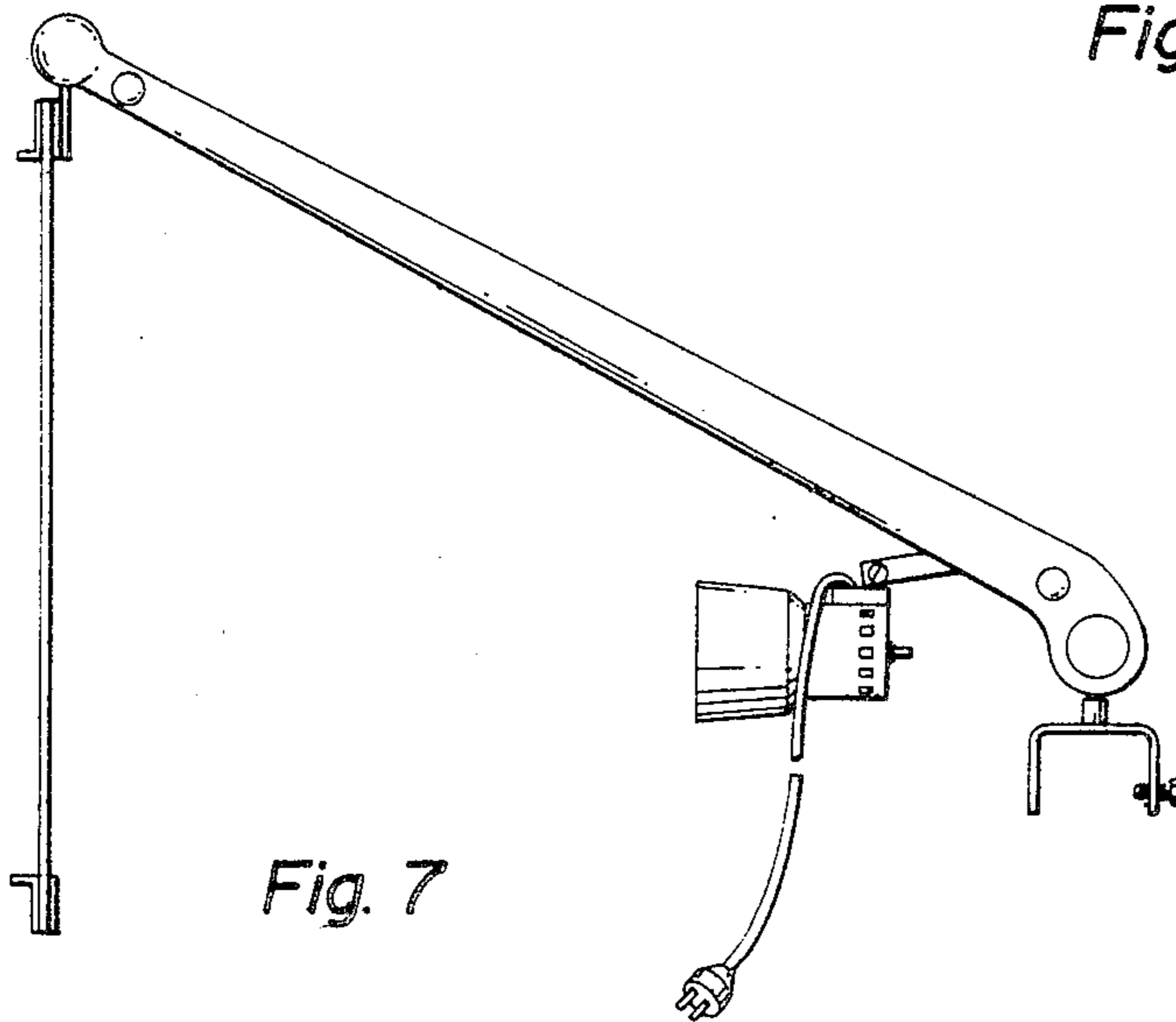


Fig. 7