

**United States Patent** [19]  
**Murray**

[11] **Patent Number: Des. 287,599**  
[45] **Date of Patent: \*\* Jan. 6, 1987**

[54] **PISTON**

[75] **Inventor: Edward J. Murray, Ilkley, England**

[73] **Assignee: AE PLC, Warwickshire, England**

[\*\*] **Term: 14 Years**

[21] **Appl. No.: 557,103**

[22] **Filed: Dec. 1, 1983**

[30] **Foreign Application Priority Data**

Jun. 3, 1983 [GB] United Kingdom ..... 1013400  
[52] **U.S. Cl. .... D15/5**  
[58] **Field of Search ..... D15/5; 92/224, 229**

[56] **References Cited**

**U.S. PATENT DOCUMENTS**

D. 122,922 10/1940 Flammang et al. .... D15/5  
2,715,052 8/1955 Jardine ..... 92/229

2,737,427 3/1956 Venner et al. .... 92/229

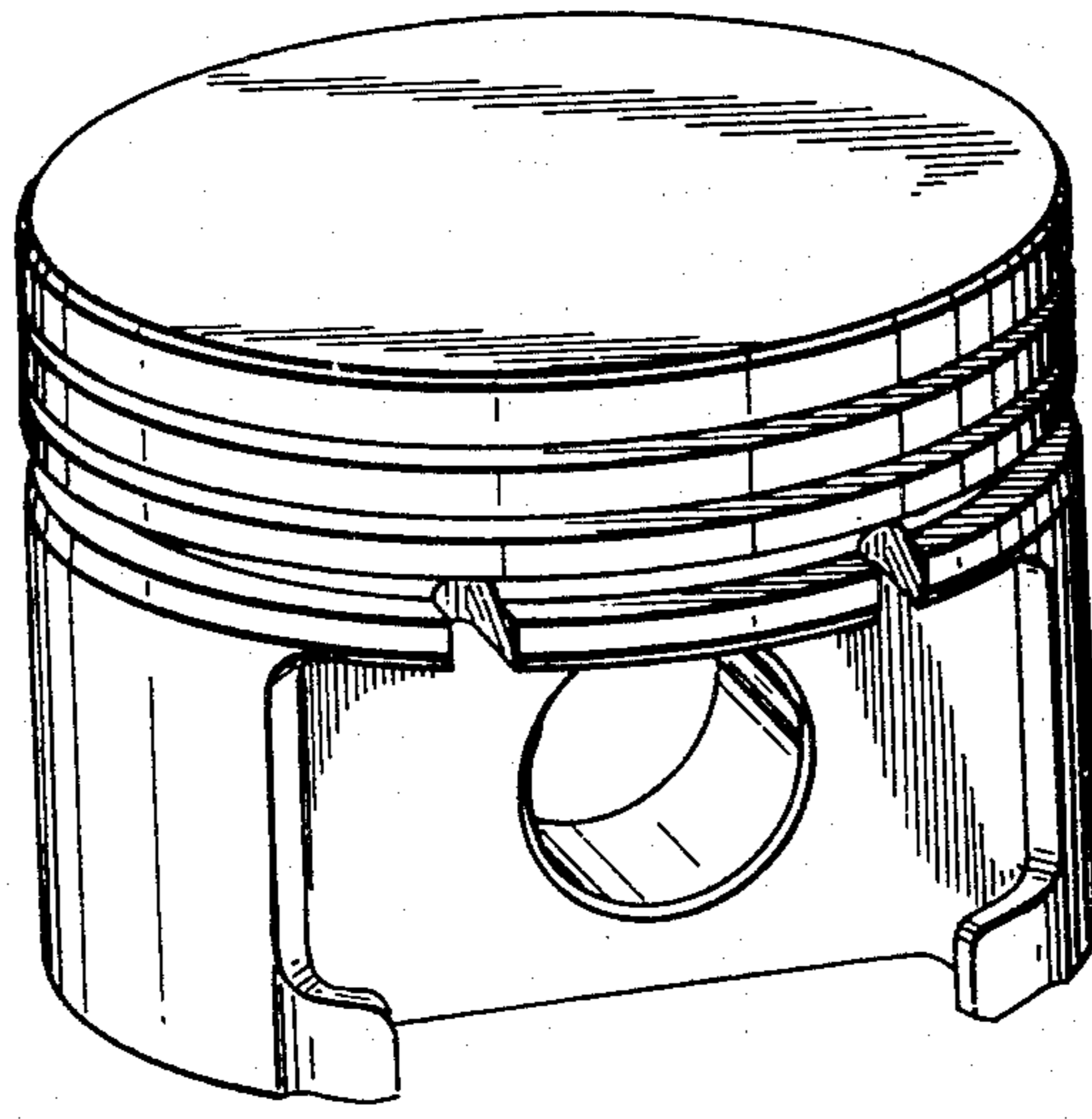
*Primary Examiner*—Catherine E. Kemper  
*Attorney, Agent, or Firm*—Leydig, Voit & Mayer

[57] **CLAIM**

The ornamental design for a piston, as shown and described.

**DESCRIPTION**

FIG. 1 is a side elevational view of a piston, showing my new design the other side being identical thereto; FIG. 2 is a front elevational view thereof, the rear being identical thereto; FIG. 3 is a bottom plan view thereof; FIG. 4 is a top plan view thereof; FIG. 5 is a sectional view taken along the line V—V of FIG. 1, FIG. 6 is a sectional view taken along the line VI—VI of FIG. 2; and FIG. 7 is a top side perspective view thereof.



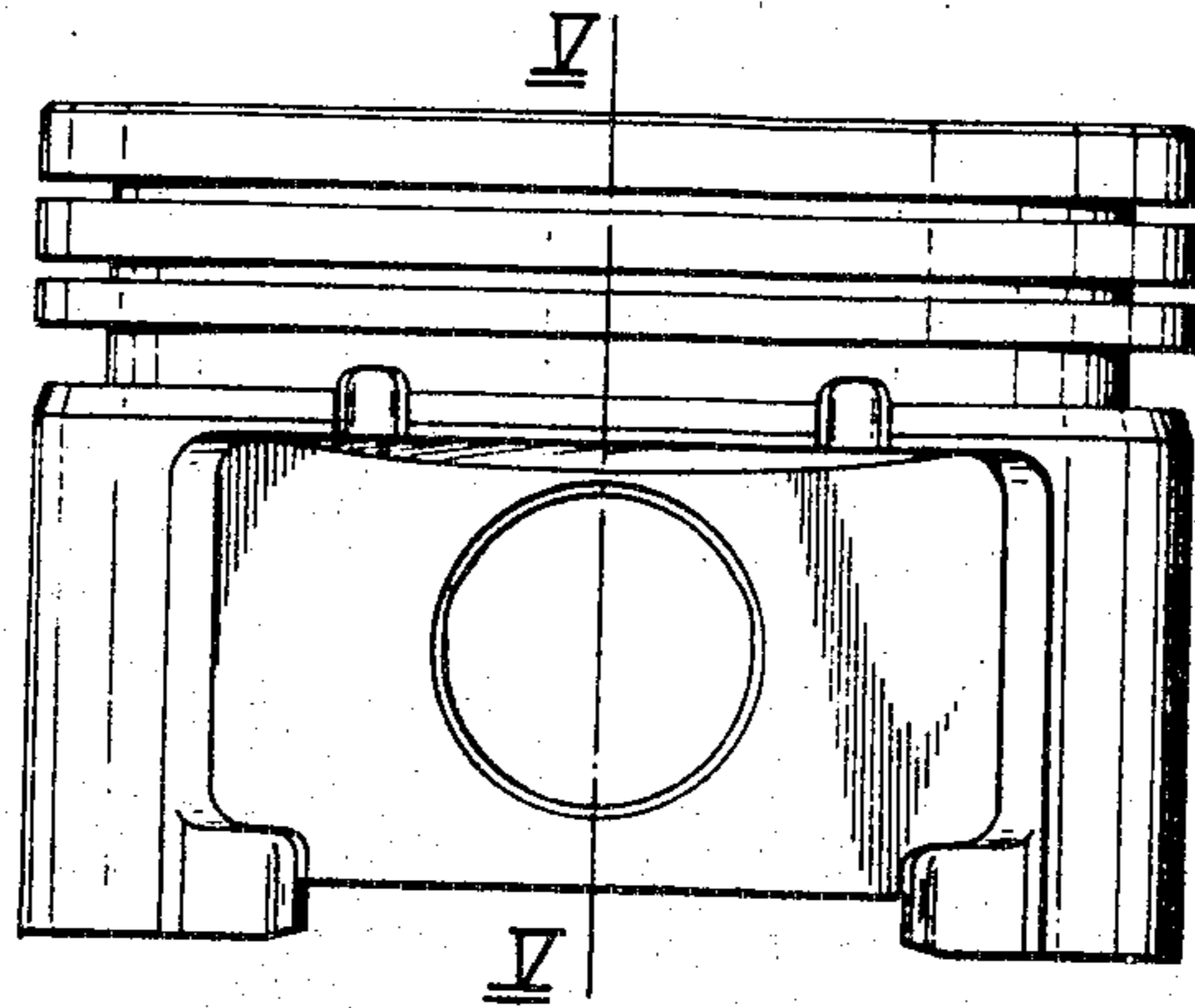


FIG. 1.

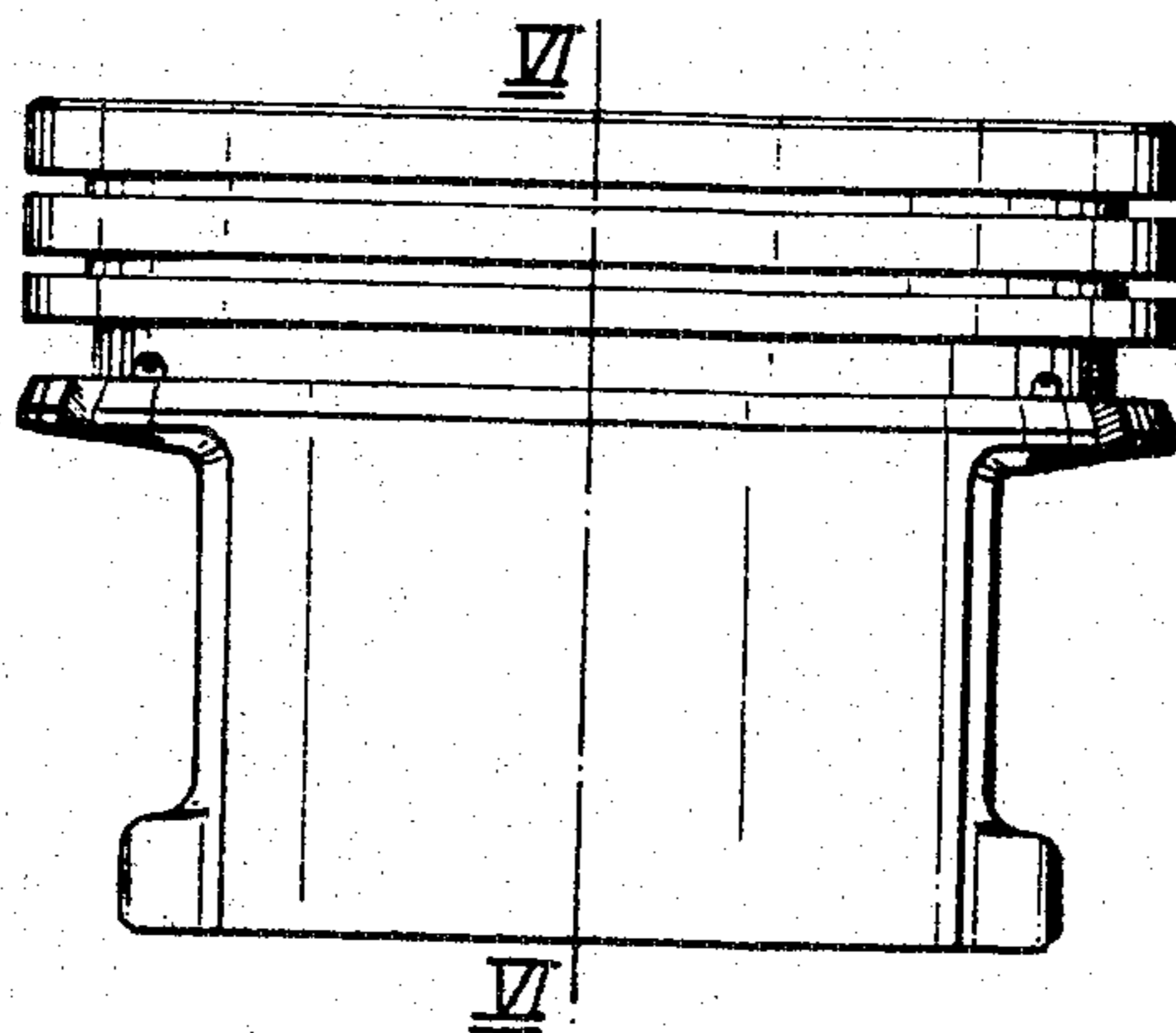


FIG. 2.

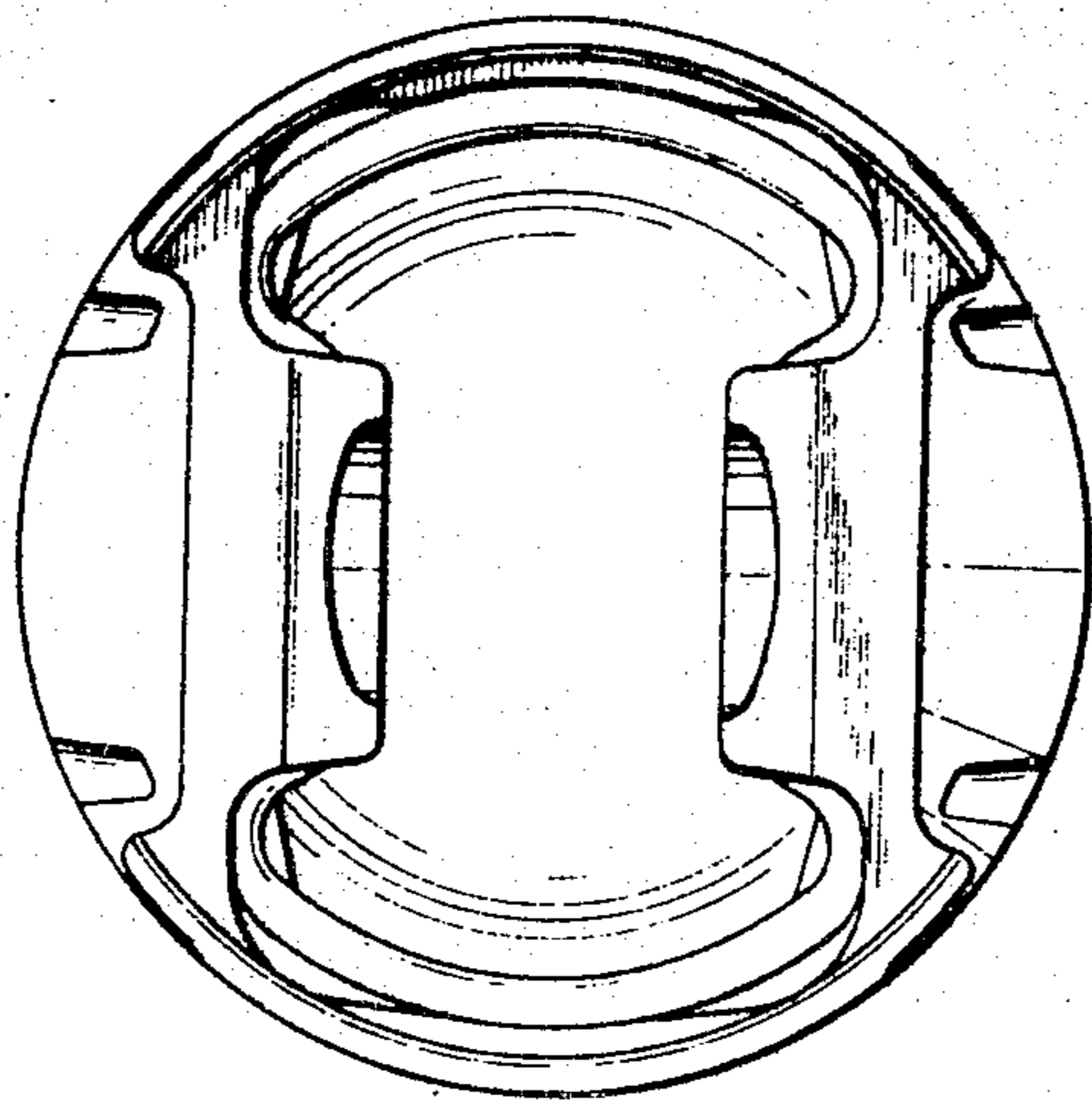


FIG. 3.

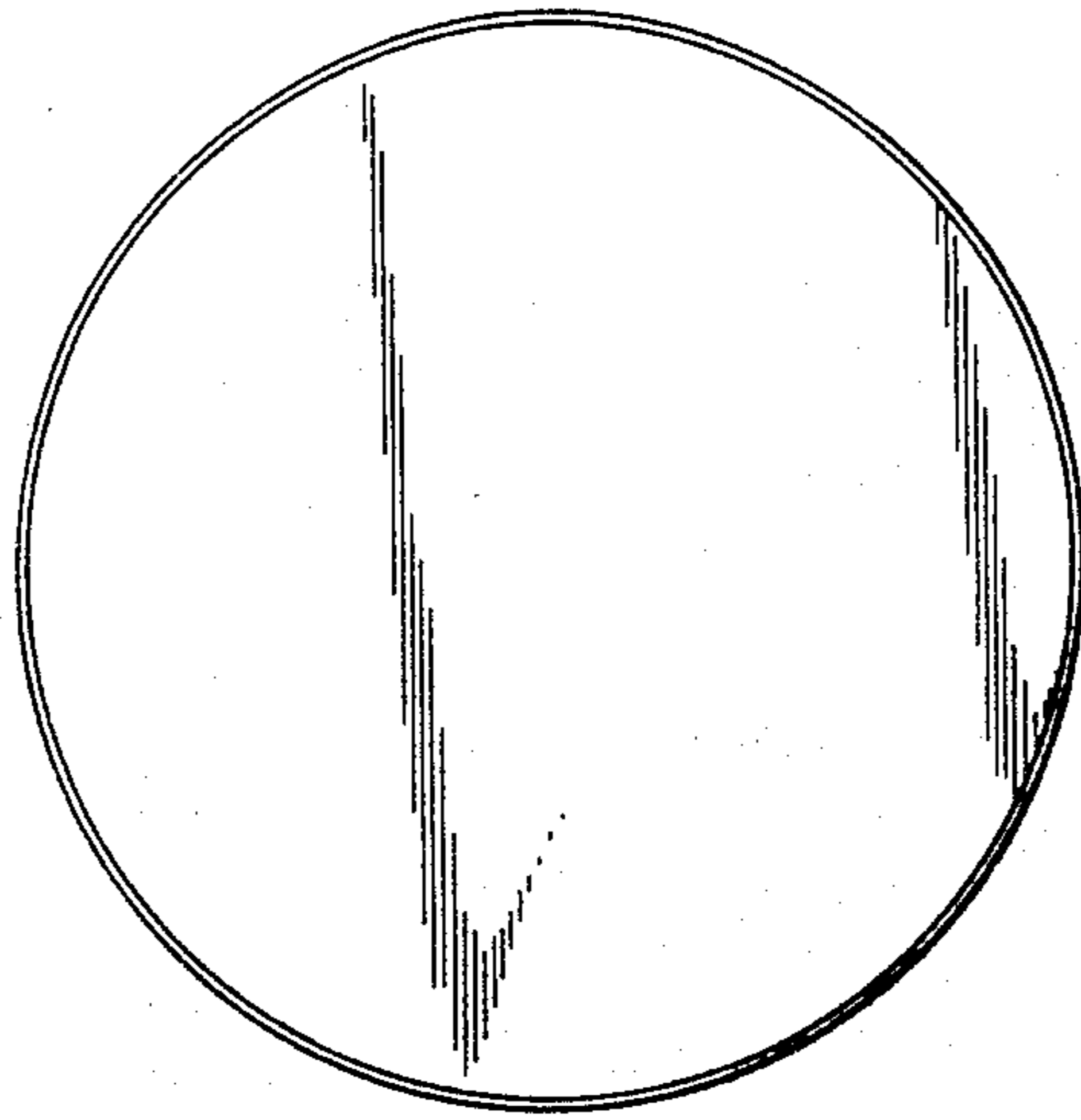


FIG. 4.

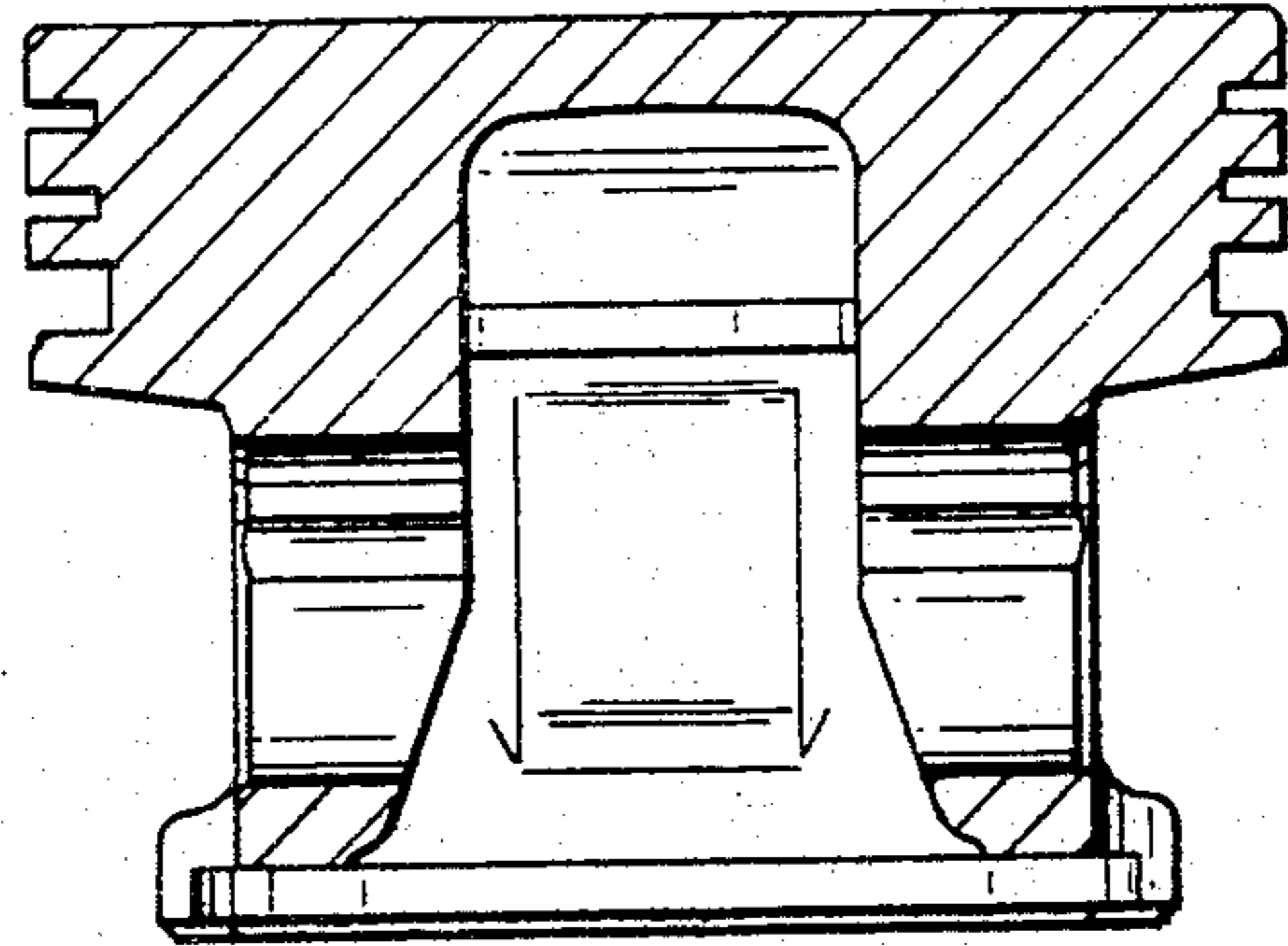


FIG. 5.

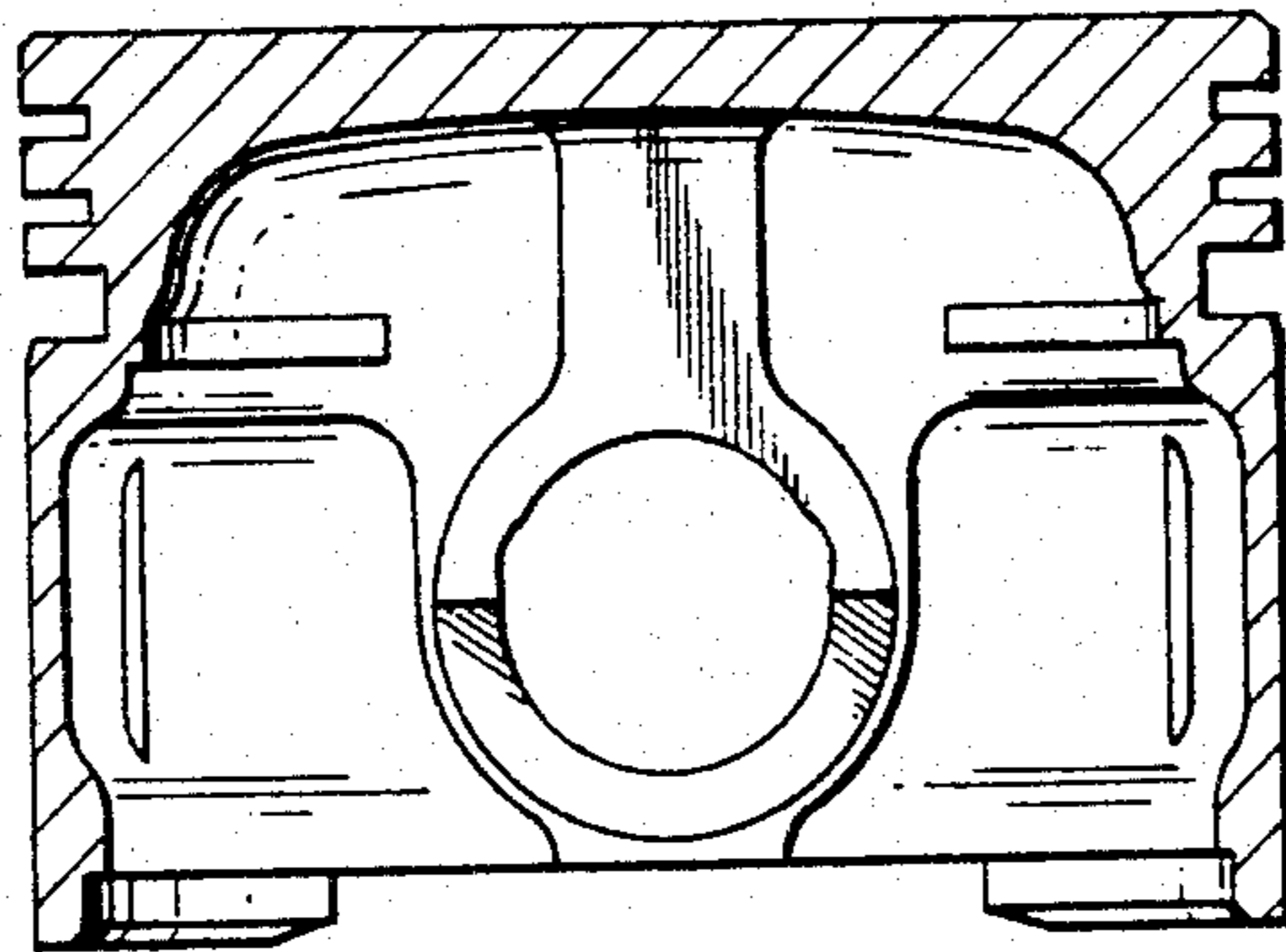
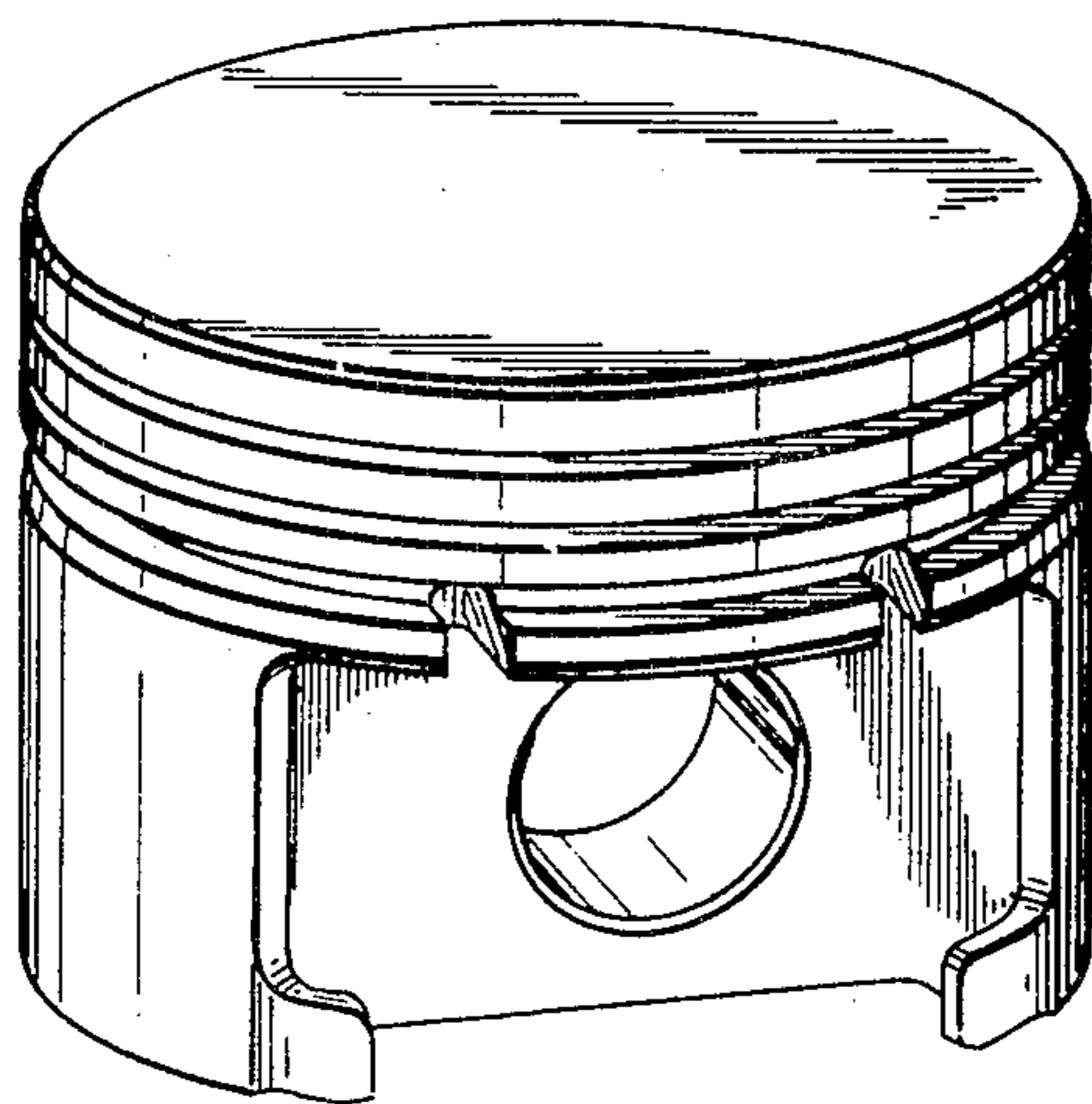


FIG. 6.



*FIG. 7.*