

[54] MAGNETIC DISC CASSETTE

[75] Inventor: Mitsuaki Naoi, Tokyo, Japan

[73] Assignee: Mitsumi Electric Co., Ltd., Tokyo, Japan

[**] Term: 14 Years

[21] Appl. No.: 572,857

[22] Filed: Jan. 23, 1984

[30] Foreign Application Priority Data

Jul. 26, 1983 [JP] Japan 58-32715

[52] U.S. Cl. D14/114

[58] Field of Search D14/100-117; 360/97, 98, 99, 133; 206/309, 310, 313, 444

[56] References Cited

U.S. PATENT DOCUMENTS

D. 275,676 9/1984 Nakagawa et al. D14/114

4,358,801 11/1982 Faber et al. 360/97

Primary Examiner—Susan J. Lucas
Attorney, Agent, or Firm—Ladas & Parry

[57] CLAIM

The ornamental design for a magnetic disc cassette, as shown and described.

DESCRIPTION

FIG. 1 is a perspective view of a magnetic disc cassette showing a new design;

FIG. 2 is a top plan view thereof, the bottom being identical;

FIG. 3 is a front elevational view thereof;

FIG. 4 is a side elevational view thereof;

FIG. 5 is a rear elevational view thereof;

FIG. 6 is a cross-sectional view thereof taken along the lines VI—VI of FIG. 2; and

FIG. 7 is a cross-sectional view thereof taken along the lines VII—VII of FIG. 2.

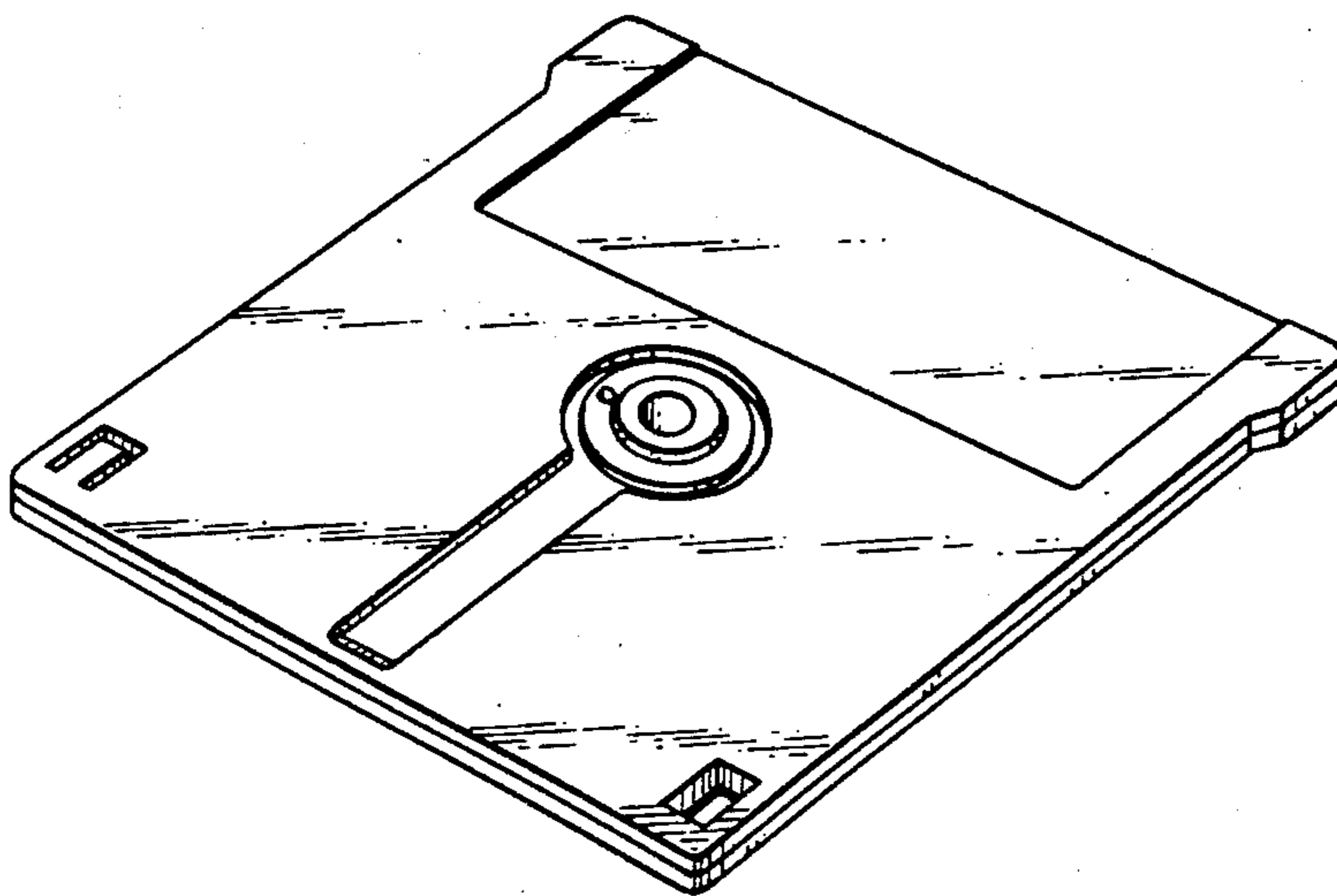


FIG. 1

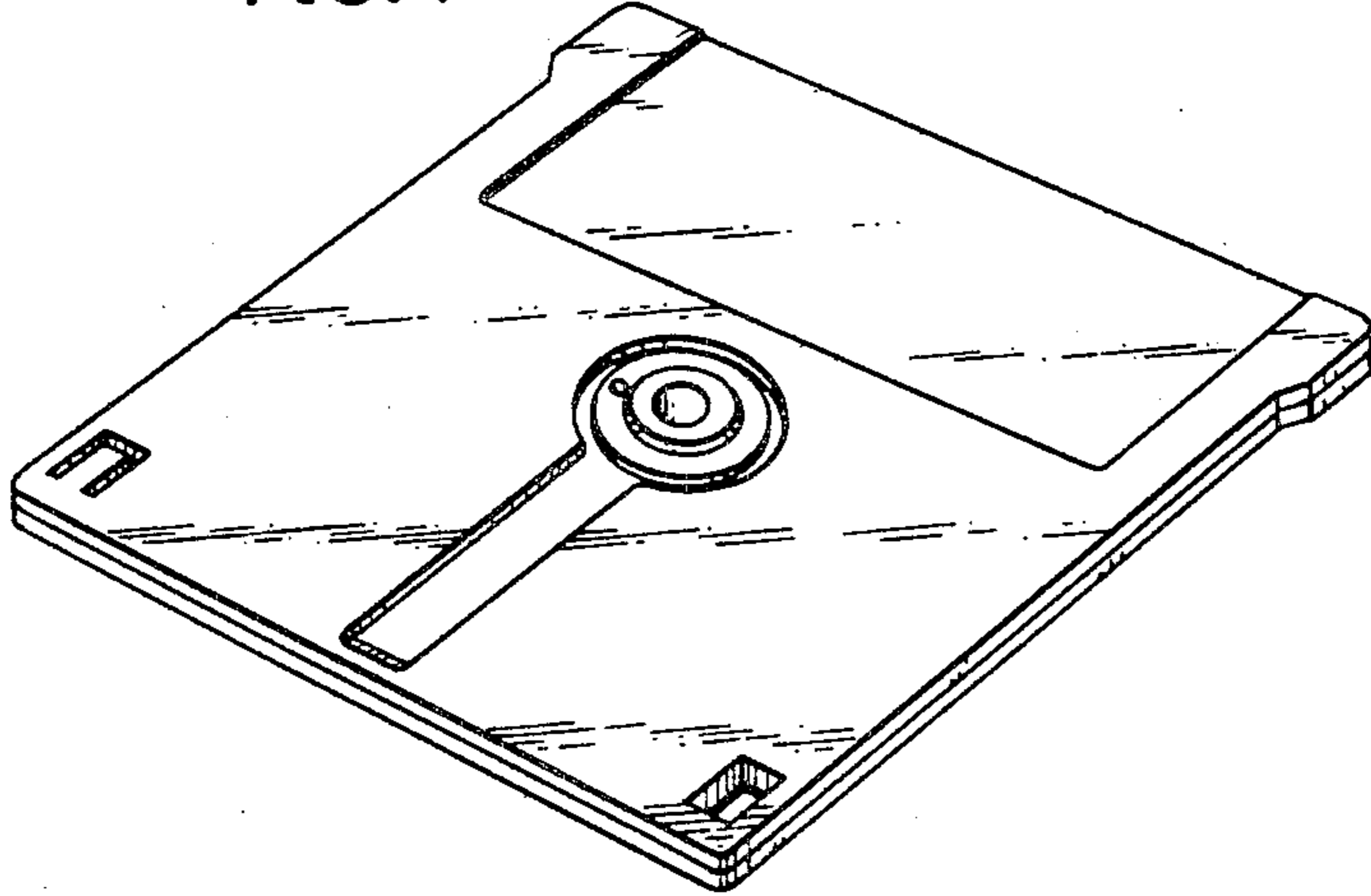


FIG. 2

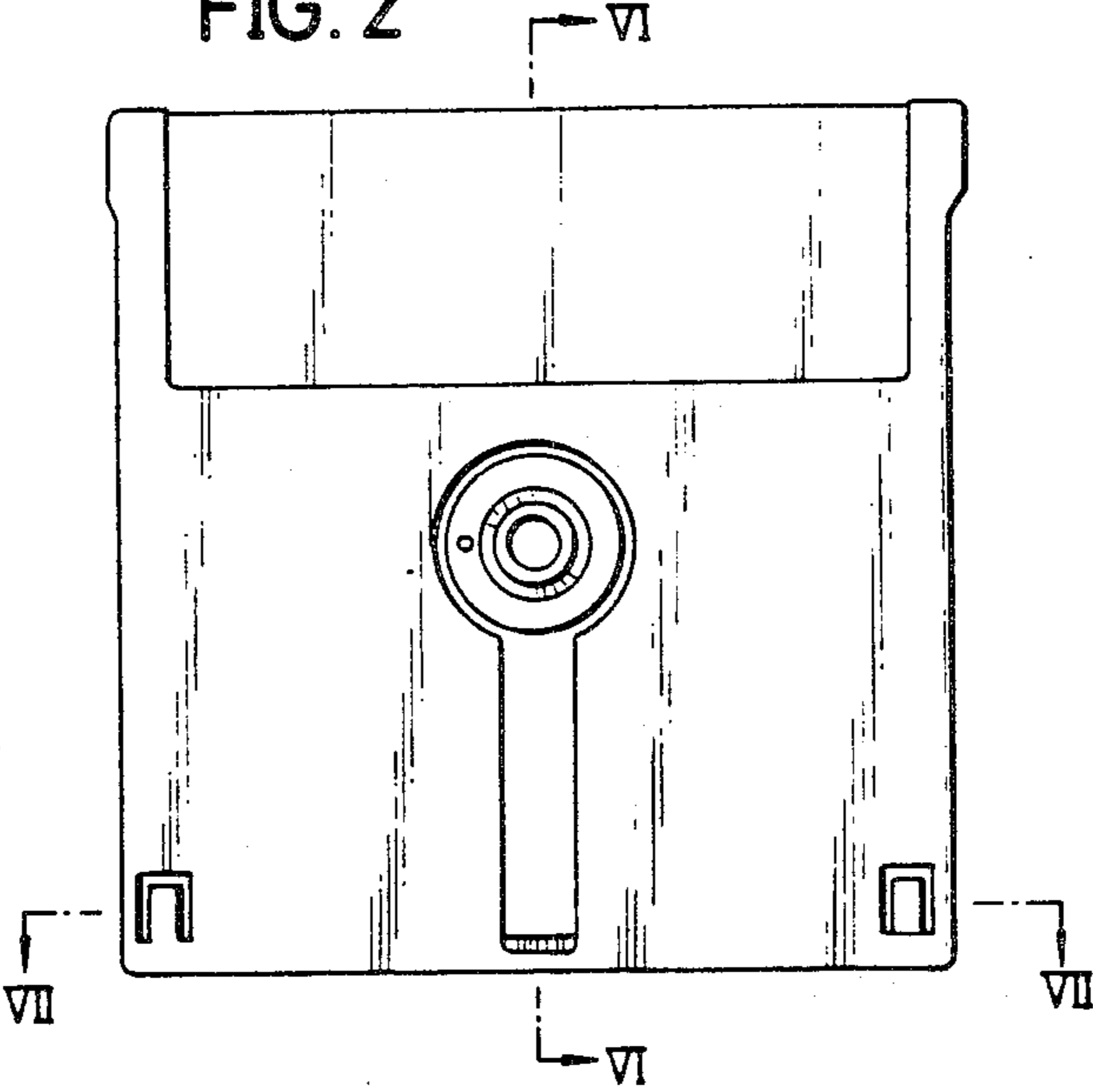


FIG. 3

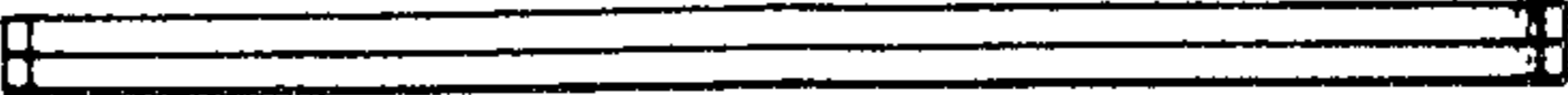


FIG. 4



FIG. 5

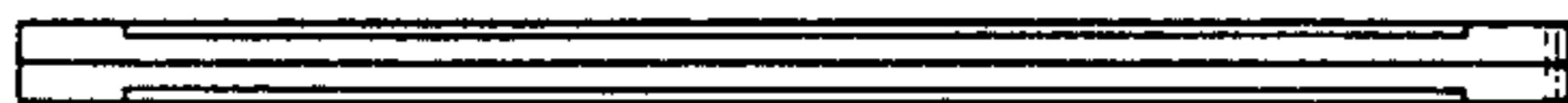


FIG. 6



FIG. 7

