

[54] **SATELLITE DISH FEED HORN COVER**

[75] **Inventor: Steven B. Ulch, Redding, Calif.**

[73] **Assignee: Paradigm Manufacturing, Inc.,
Redding, Calif.**

[**] **Term: 14 Years**

[21] **Appl. No.: 682,613**

[22] **Filed: Dec. 17, 1984**

[52] **U.S. Cl. D14/90**

[58] **Field of Search D14/86, 87, 88, 89,
D14/90, 91, 99; 343/907, 908, 909, 786, 872**

[56] **References Cited**

U.S. PATENT DOCUMENTS

D. 211,028 5/1968 Zucconi D14/90
2,505,424 4/1950 Moseley 343/786 X

3,482,253 12/1969 Zucconi 343/872 X

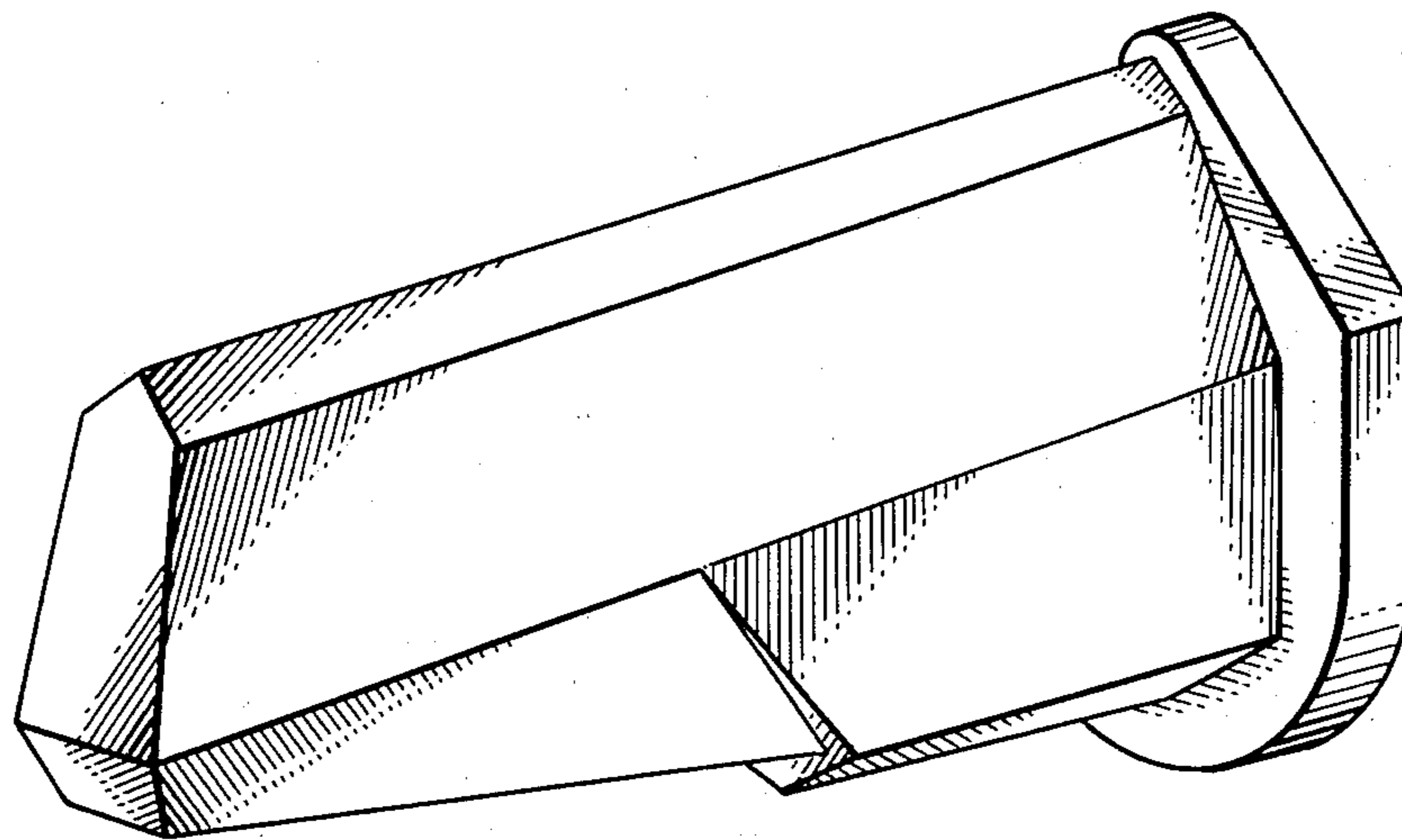
Primary Examiner—Bernard Ansher
Assistant Examiner—Theodore M. Shooman
Attorney, Agent, or Firm—Limbach, Limbach & Sutton

[57] **CLAIM**

The ornamental design for a satellite dish feed horn cover, as shown and described.

DESCRIPTION

FIG. 1 is a top, front and right side perspective view of a satellite dish feed horn cover showing my new design; FIG. 2 is a top plan view thereof; FIG. 3 is a front elevational view thereof; FIG. 4 is a right side elevational view thereof, the left side being a mirror image; FIG. 5 is a bottom plan view thereof; and FIG. 6 is a rear elevational view thereof, in reduced scale as compared to the other figures.



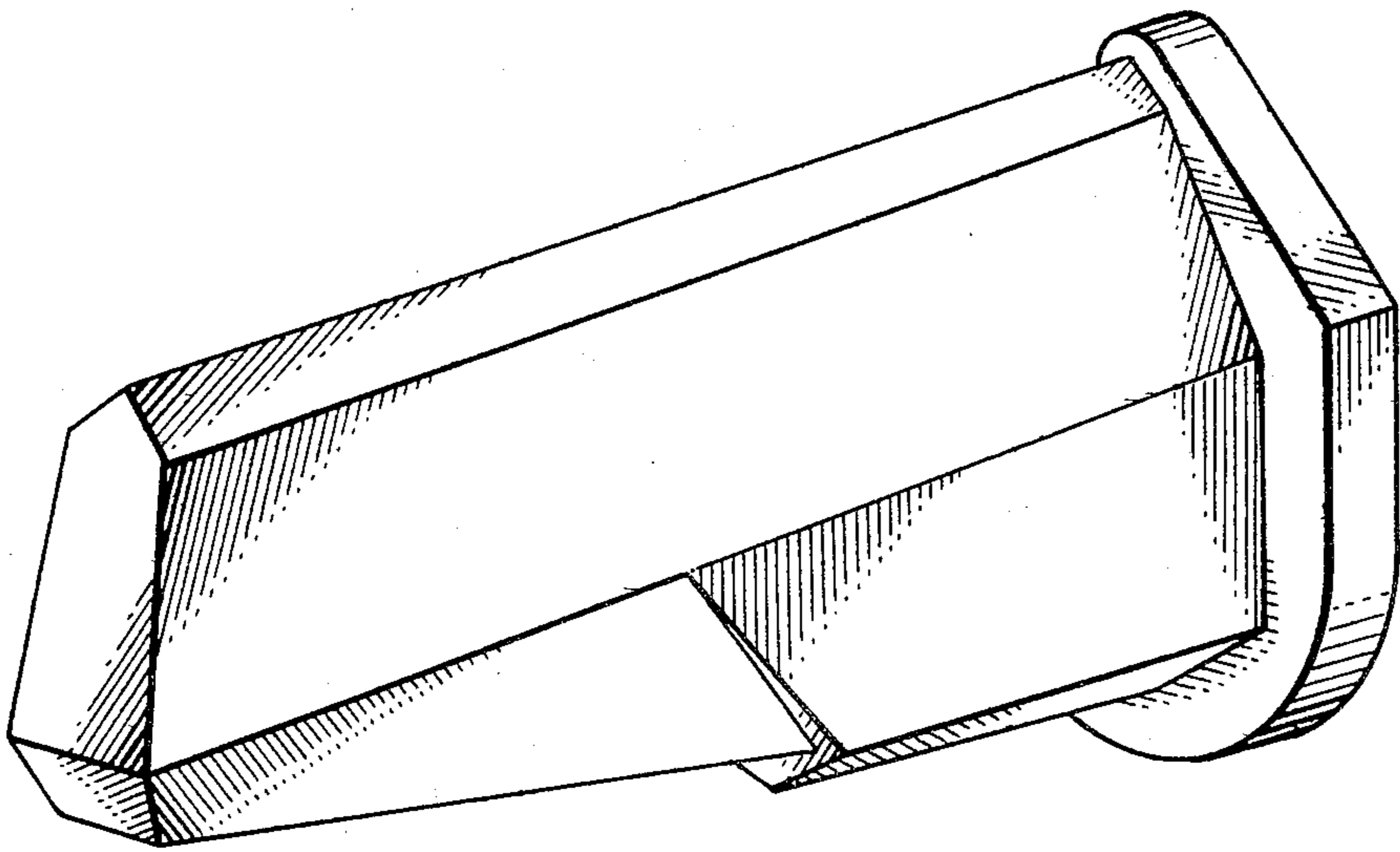


FIG. 1.

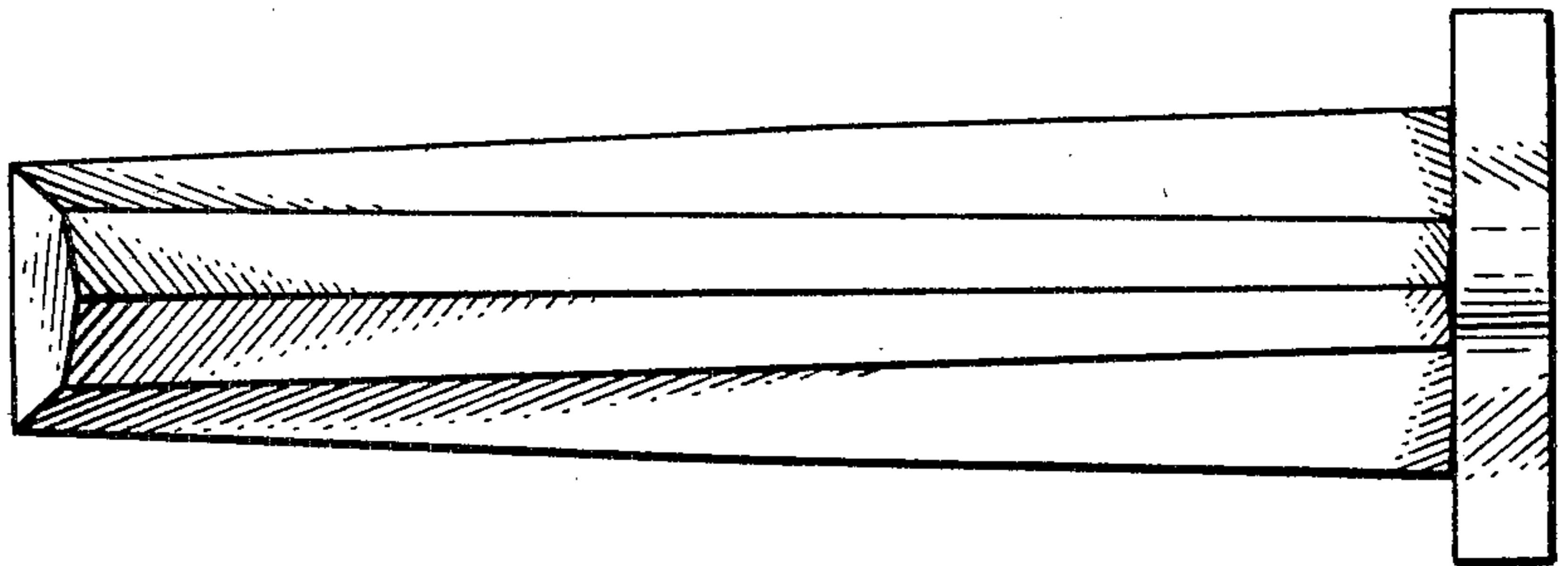


FIG. 2.

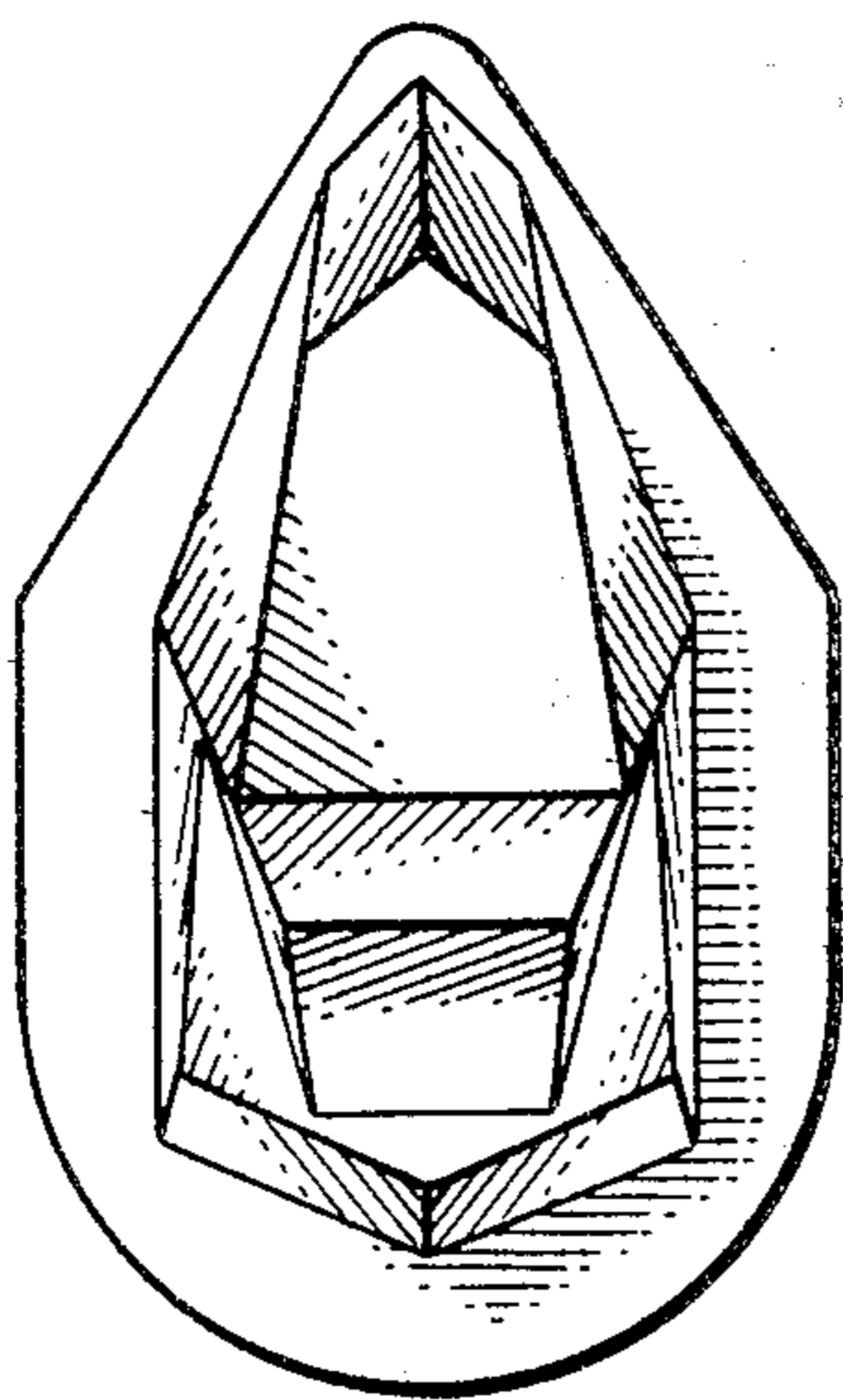


FIG. 3.

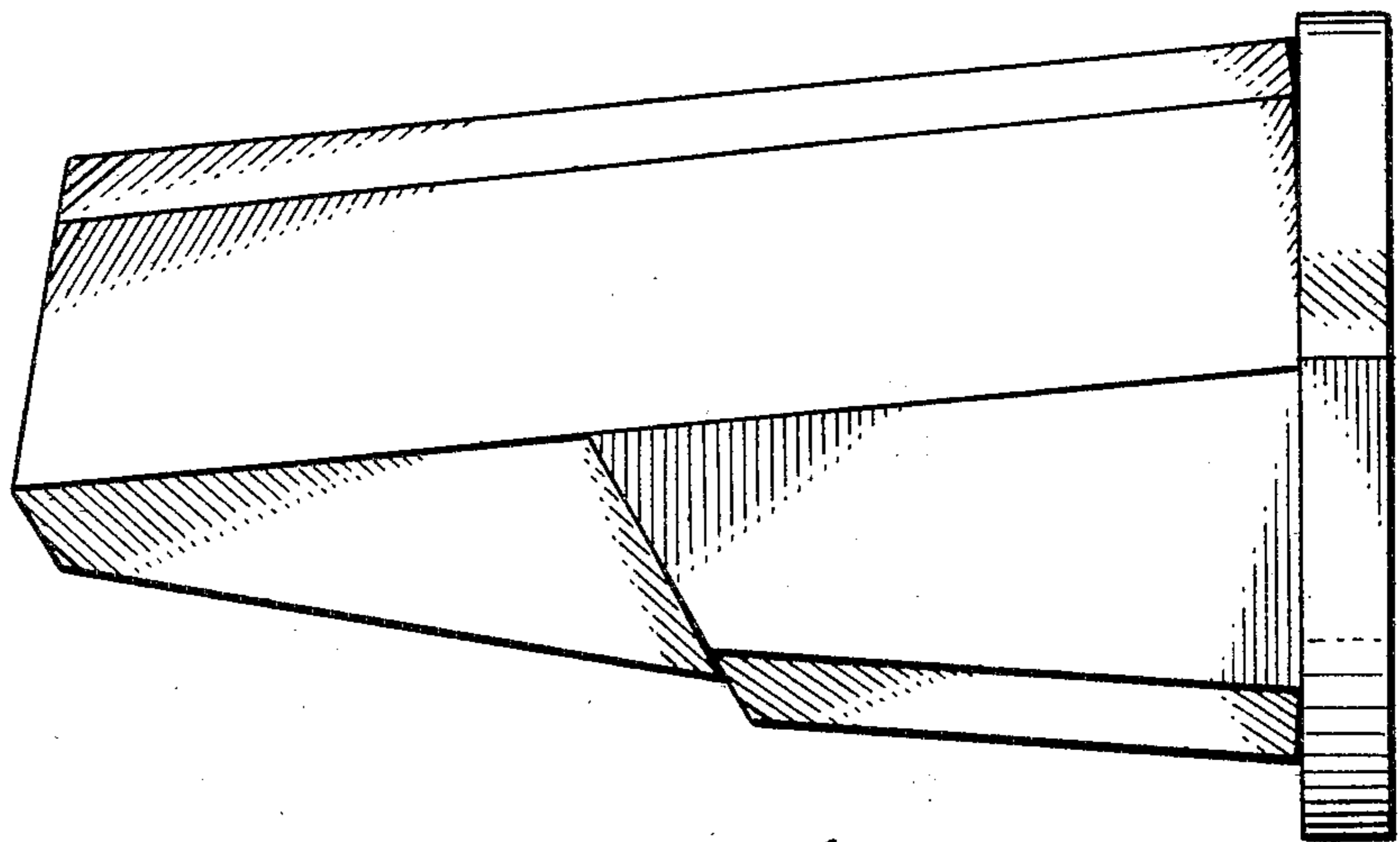


FIG. 4.

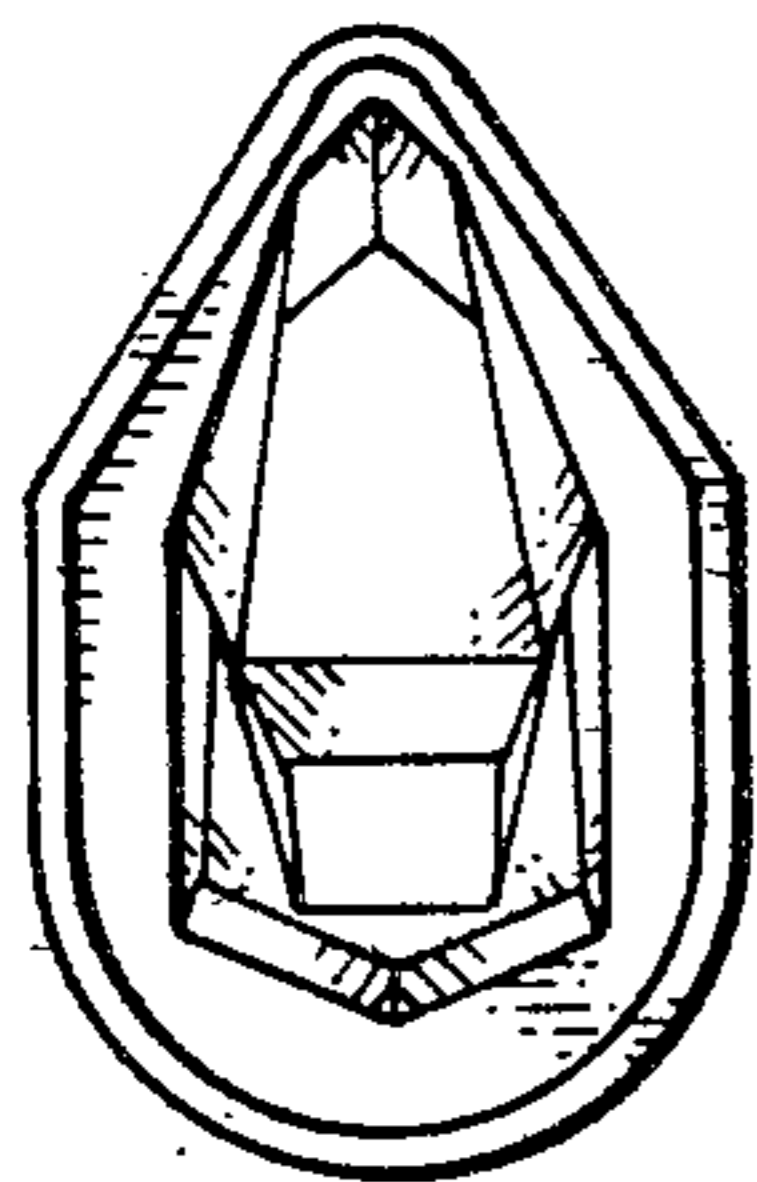


FIG. 6.

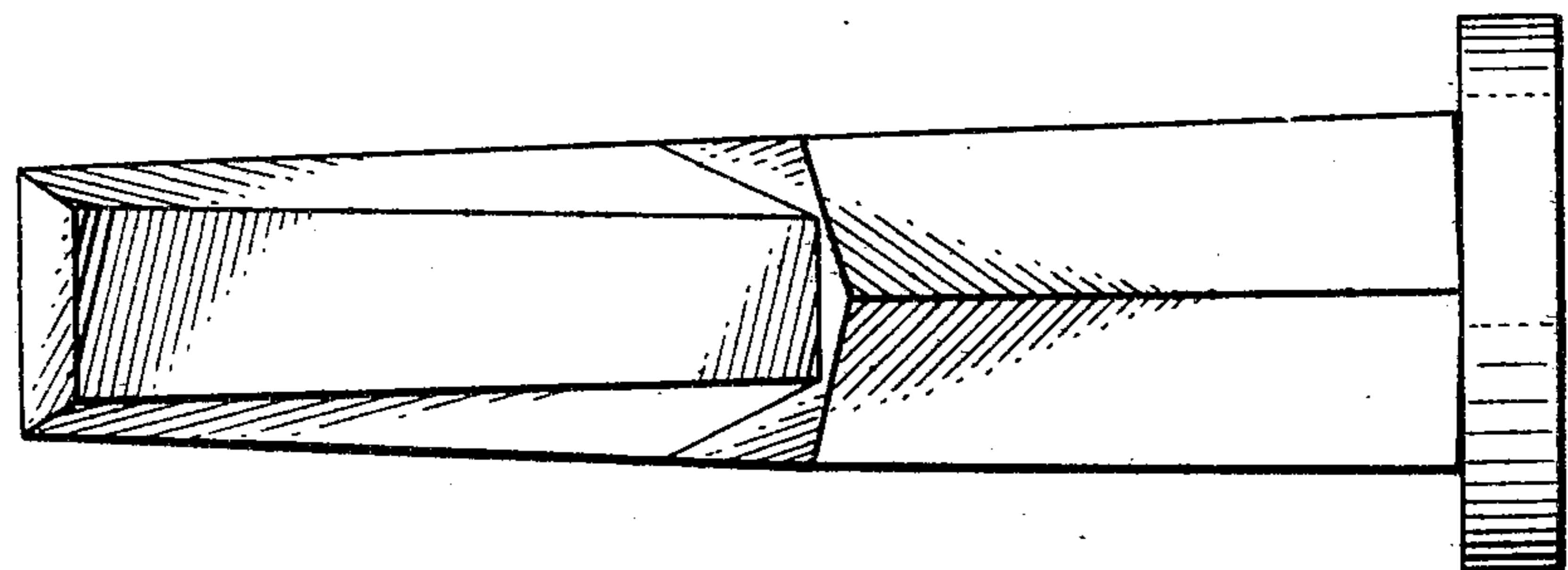


FIG. 5.