

[54] HANDSET TELEPHONE AND STAND UNIT

[75] Inventors: Fumio Tanaka, Tokyo; Shin'ichi Imoto, Iwaki, both of Japan

[73] Assignee: Alpine Electronics Inc., Japan

[**] Term: 14 Years

[21] Appl. No.: 669,936

[22] Filed: Nov. 9, 1984

[52] U.S. Cl. D14/53; D14/64; D14/60

[58] Field of Search D14/53, 60, 56, 58, D14/63, 64; 179/179, 100 R, 100 D, 100 C, 100 L, 101, 103

[56] References Cited

U.S. PATENT DOCUMENTS

D. 274,434	4/1985	Nestell	D14/60
D. 277,377	1/1985	Tarao et al.	D14/53
D. 277,666	2/1985	Bhat et al.	D14/63
D. 278,433	4/1985	Perkins	D14/60
D. 281,242	11/1985	Hova	D14/63
D. 282,465	2/1986	Hurley et al.	D14/63

D. 283,127	3/1986	Hai-Ping	D14/53
D. 283,707	5/1986	Goodin et al.	D14/53
3,558,831	1/1971	Prescott et al.	179/100 R
4,122,304	10/1978	Mallien, II	455/90
4,178,488	12/1979	Nishihata	179/100 L

OTHER PUBLICATIONS

B. A. Pargh Co. Inc. catalog ©1983: at p. 37, Panasonic Models VA8020, VA8030 (stand recess).

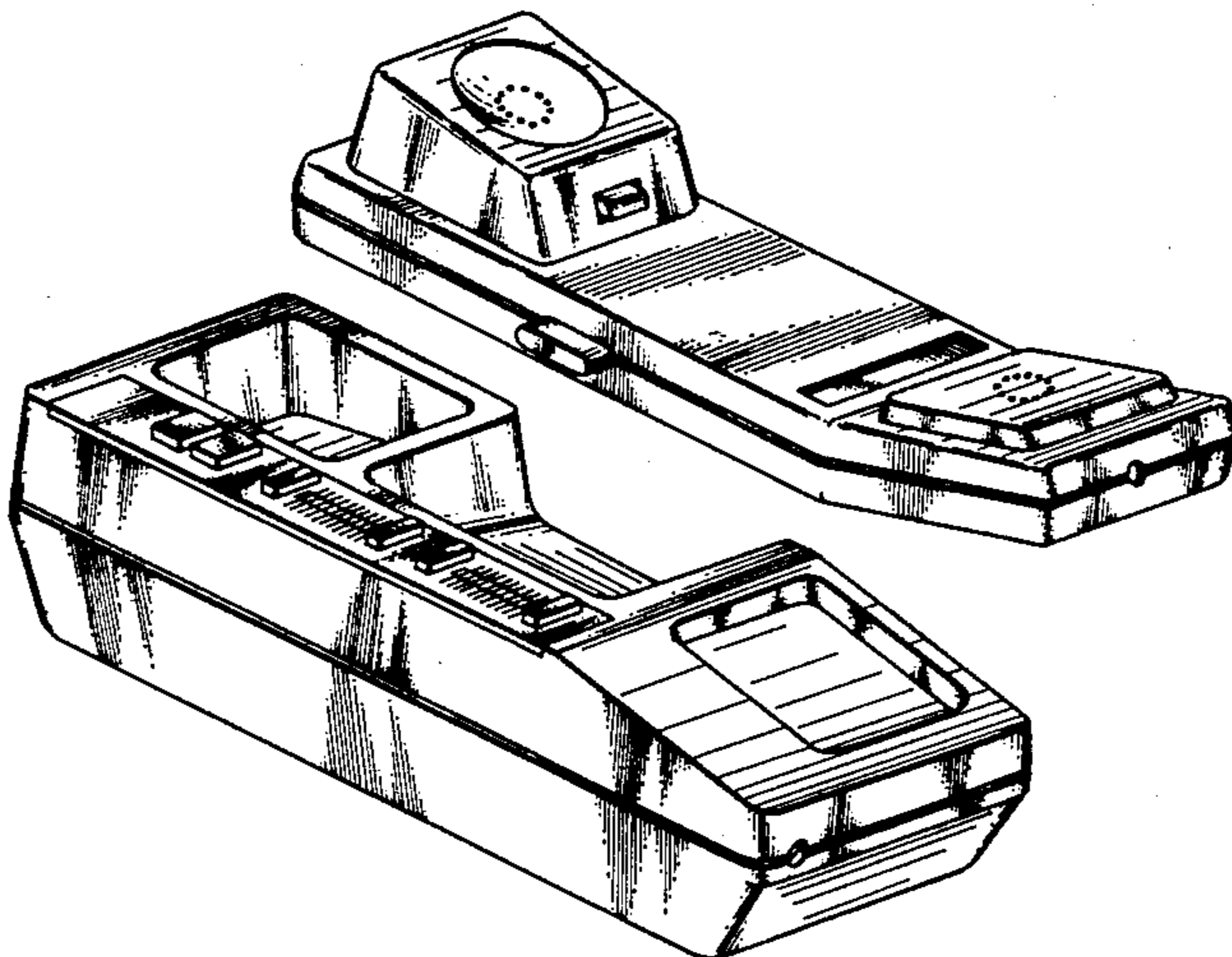
Primary Examiner—Wallace R. Burke
Assistant Examiner—Horace B. Fay
Attorney, Agent, or Firm—Guy W. Shoup

[57] CLAIM

The ornamental design for a handset telephone and stand unit, as shown and described.

DESCRIPTION

FIG. 1 is a left side, top and front perspective view of a handset telephone and stand unit in cradled position showing our new design; and FIG. 2 is (1) a left side, top and front perspective view of the stand, and shown in associated relationship with it, spaced apart and above, (2) a right side, bottom, and front end perspective view of the handset.



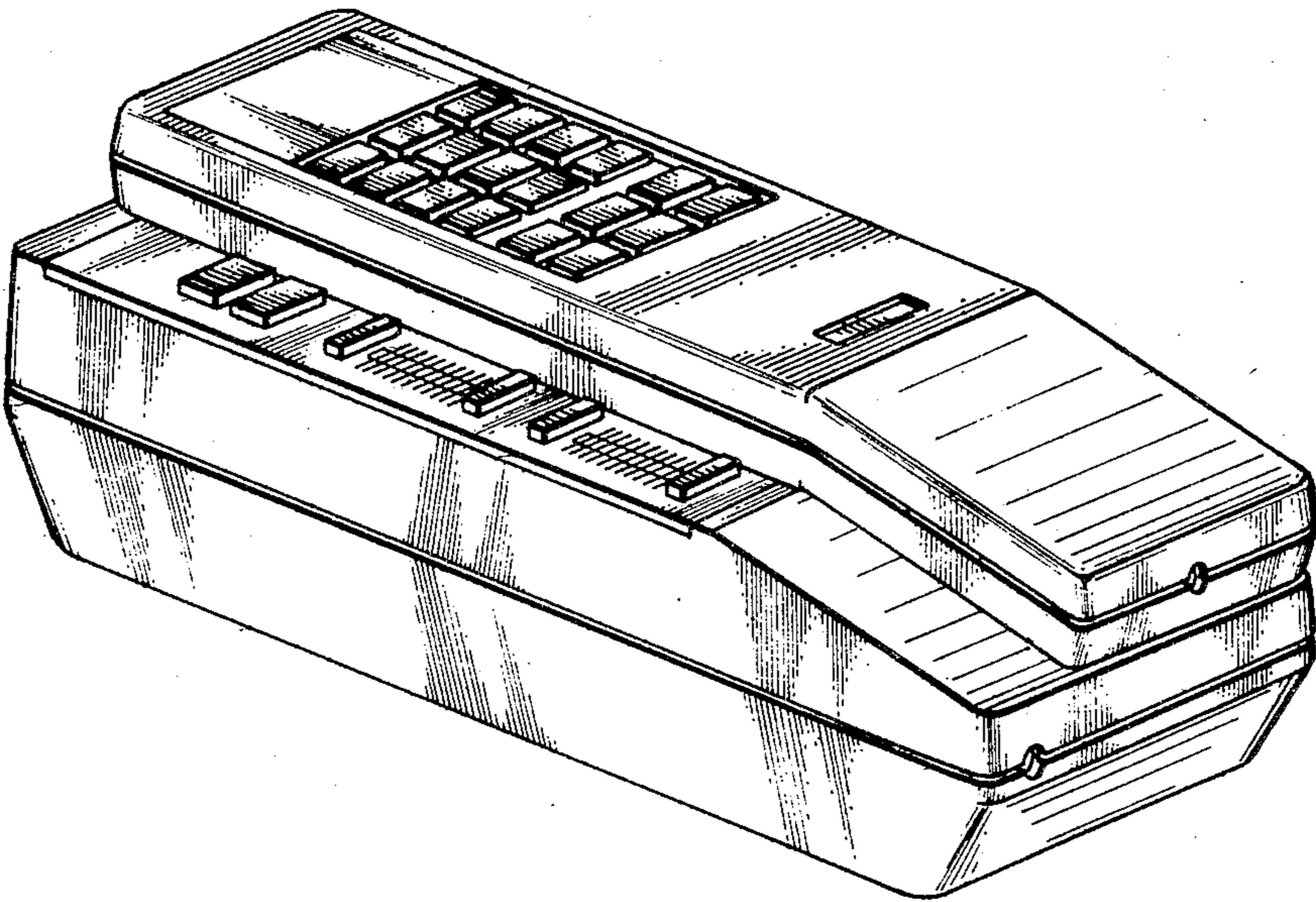


FIG. 1

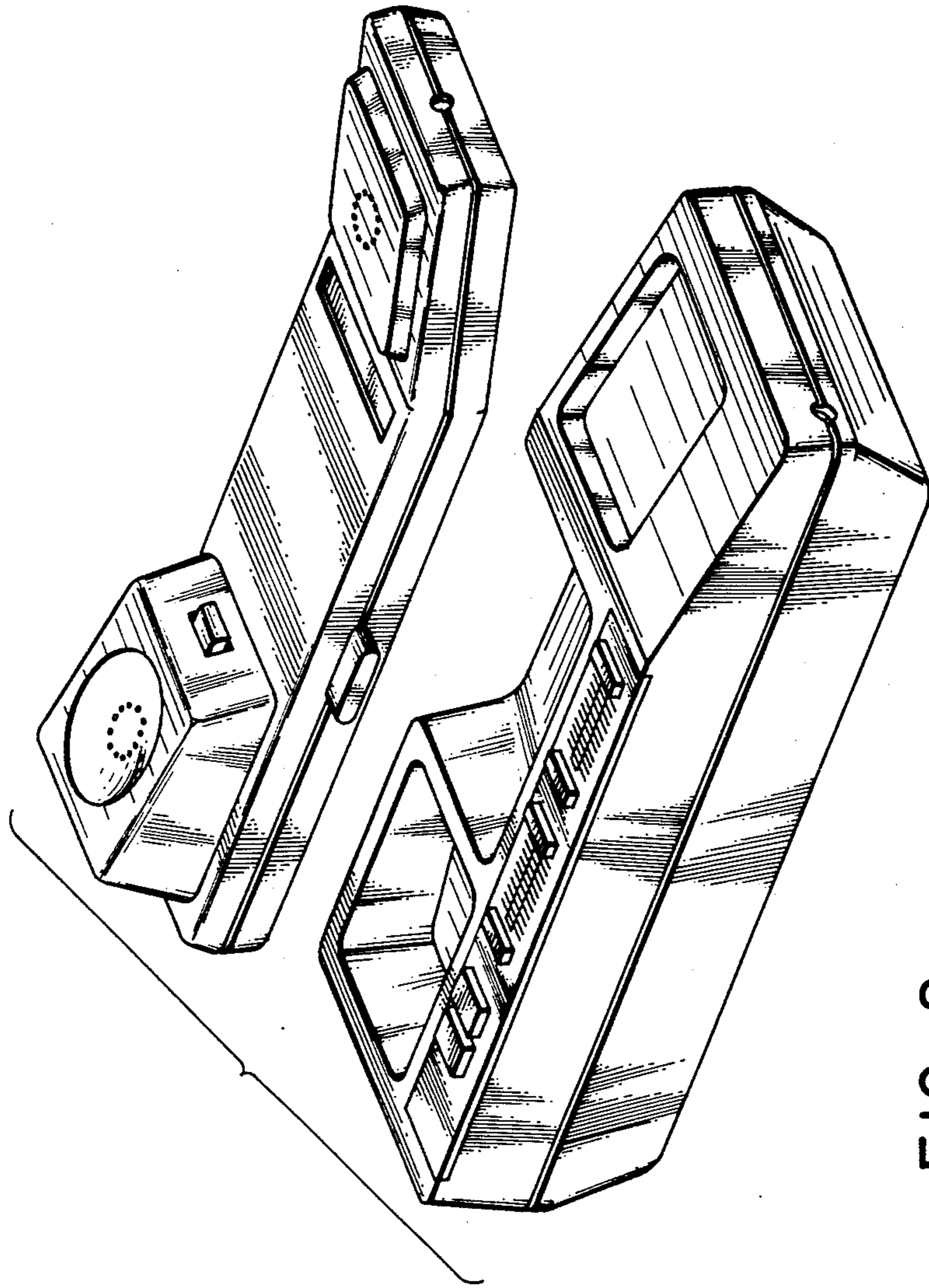


FIG. 2