

[54] BAG PACK

[75] Inventor: H. Gordon Dancy, Middletown, Ohio

[73] Assignee: Sonoco Products Company, Hartsville, S.C.

[\*\*] Term: 14 Years

[21] Appl. No.: 611,559

[22] Filed: May 17, 1984

[52] U.S. Cl. .... D9/341; D9/305

[58] Field of Search ..... 206/554, 526, 494; D9/305, 415, 341; 383/8, 9, 903

[56] References Cited

U.S. PATENT DOCUMENTS

D. 263,449	3/1982	Jarund	.....	D9/415
3,317,037	5/1967	Russell	.....	206/554 X
3,352,411	11/1967	Schwarzkopf	.....	206/554 X
3,774,833	11/1973	Christie	.....	229/62
4,062,170	12/1977	Orem	.....	53/390
4,165,832	8/1979	Kuklies et al.	.....	206/554 X
4,476,979	10/1984	Reimann et al.	.....	206/554
4,493,419	1/1985	Prader et al.	.....	206/554

Primary Examiner—Robert C. Spangler  
Attorney, Agent, or Firm—Dennison, Meserole, Pollack & Scheiner

[57] CLAIM

The ornamental design for a bag pack, as shown and described.

DESCRIPTION

FIG. 1 is a perspective view of a bag pack showing my new design, the opposite side being the same in appearance;

FIG. 2 is a perspective view of one of the bags comprising the bag pack, the opposite side being the same in appearance;

FIG. 3 is a perspective view of the bag of FIG. 2 as pulled from the bag pack with the two opposed tab portions torn away;

FIG. 4 is a perspective view with the bag expanded for use;

FIG. 5 is a side elevational view thereof; and

FIG. 6 is a top sectional view taken through the center of FIG. 5.

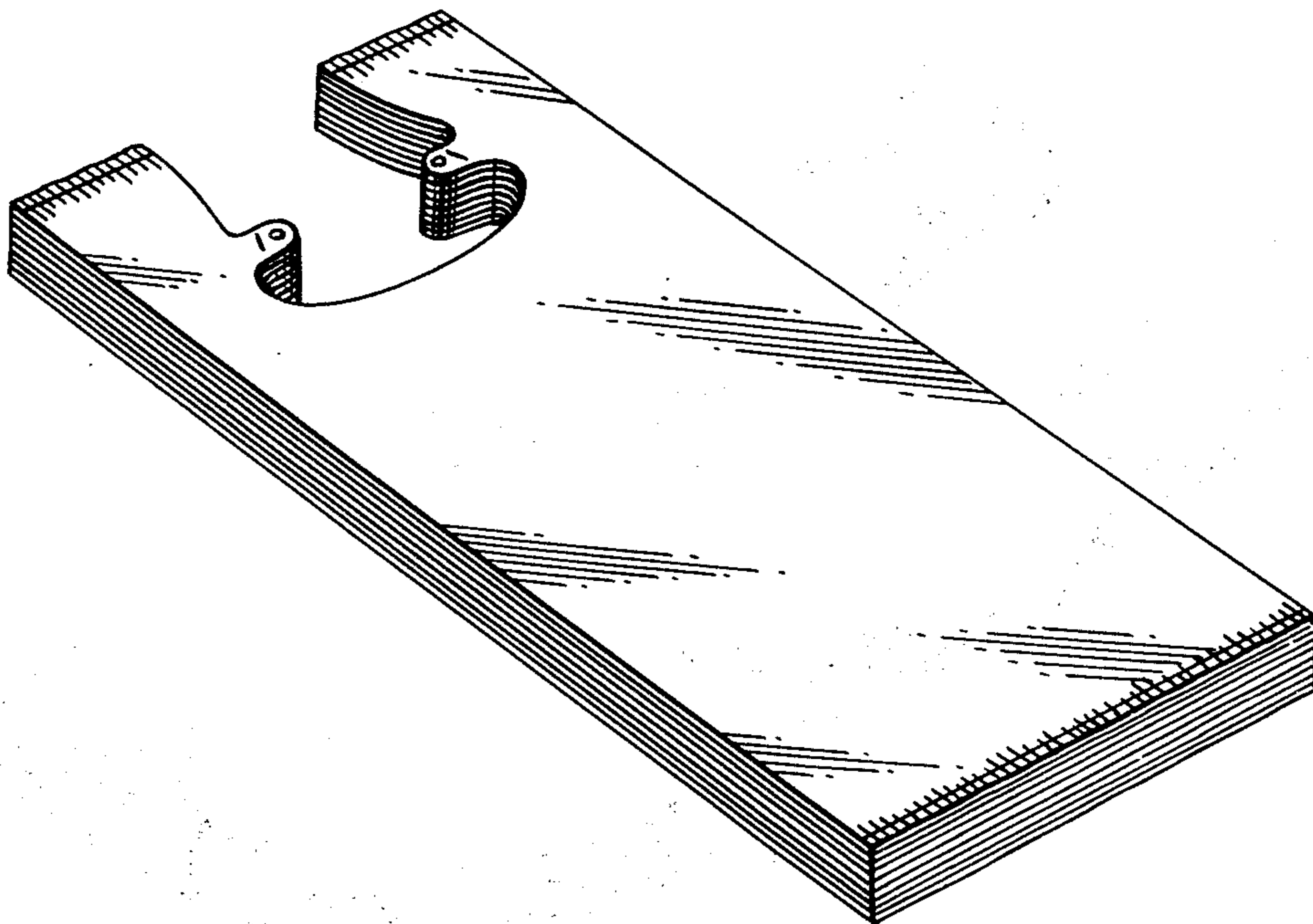


FIG. 2

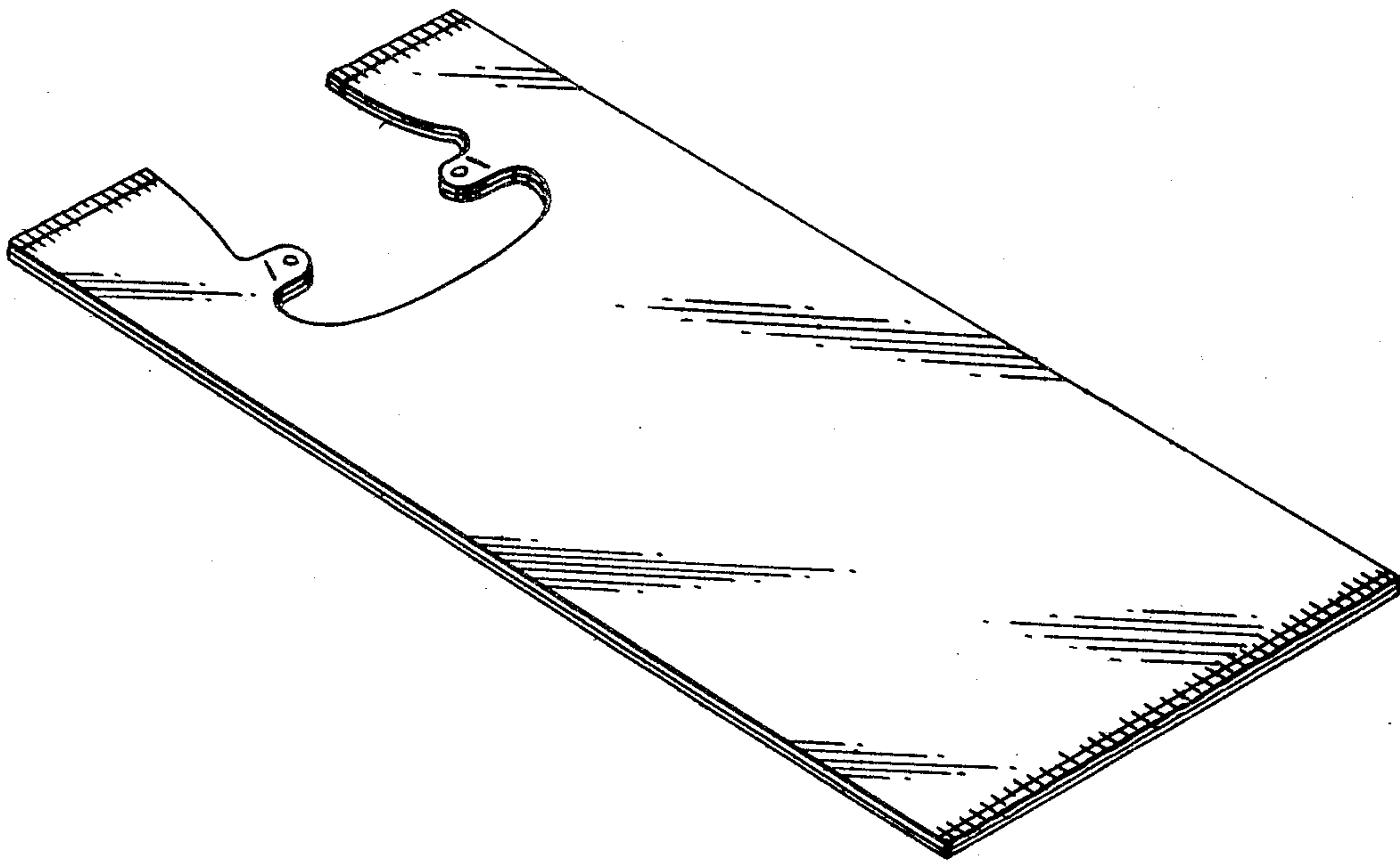
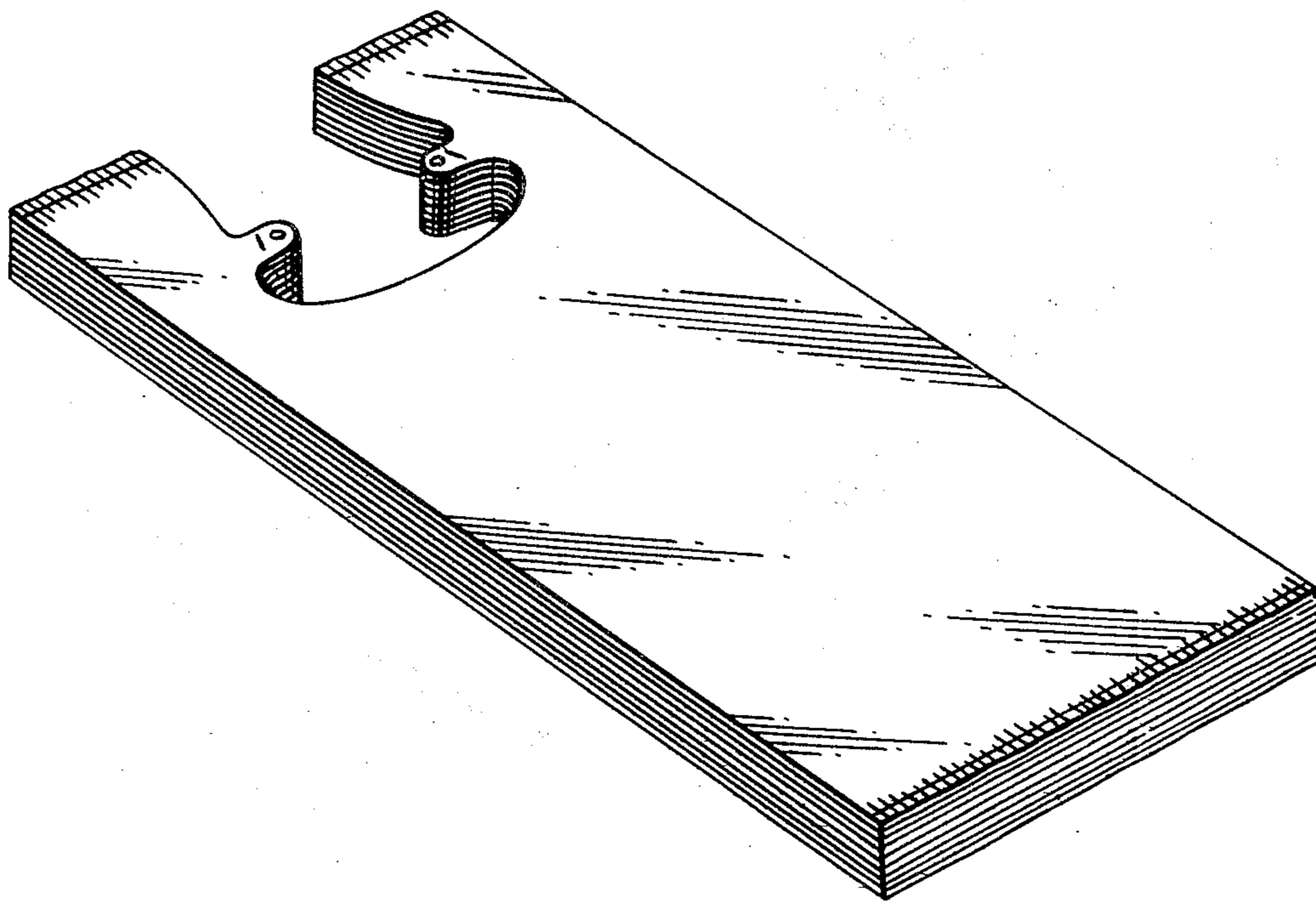


FIG. 1



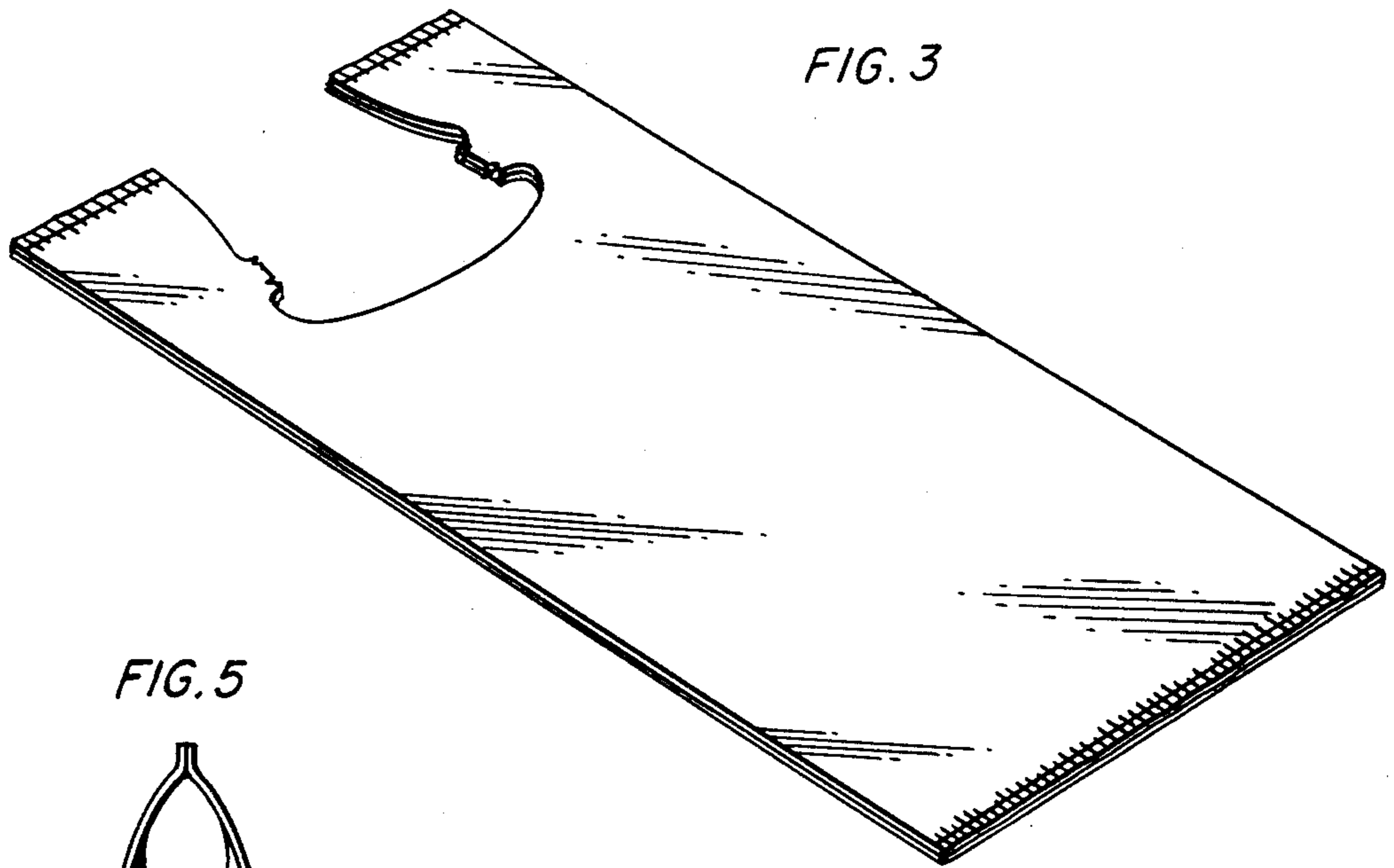


FIG. 5

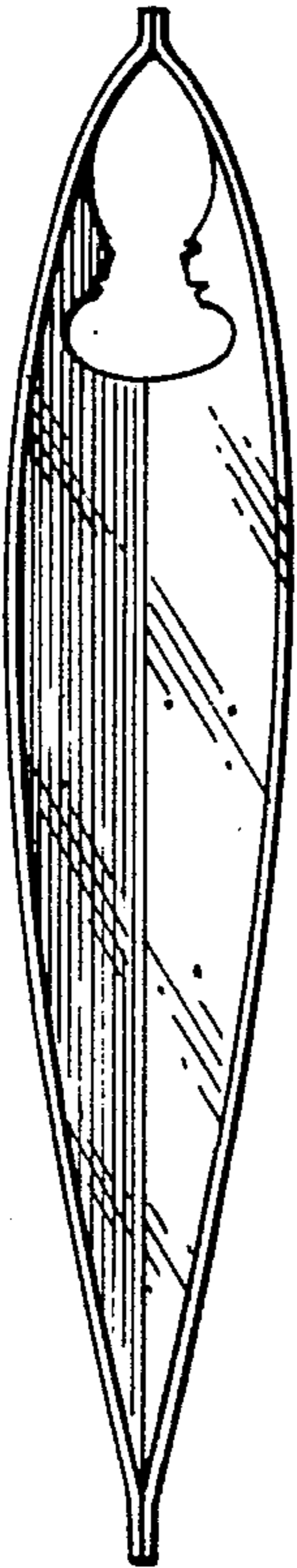


FIG. 4

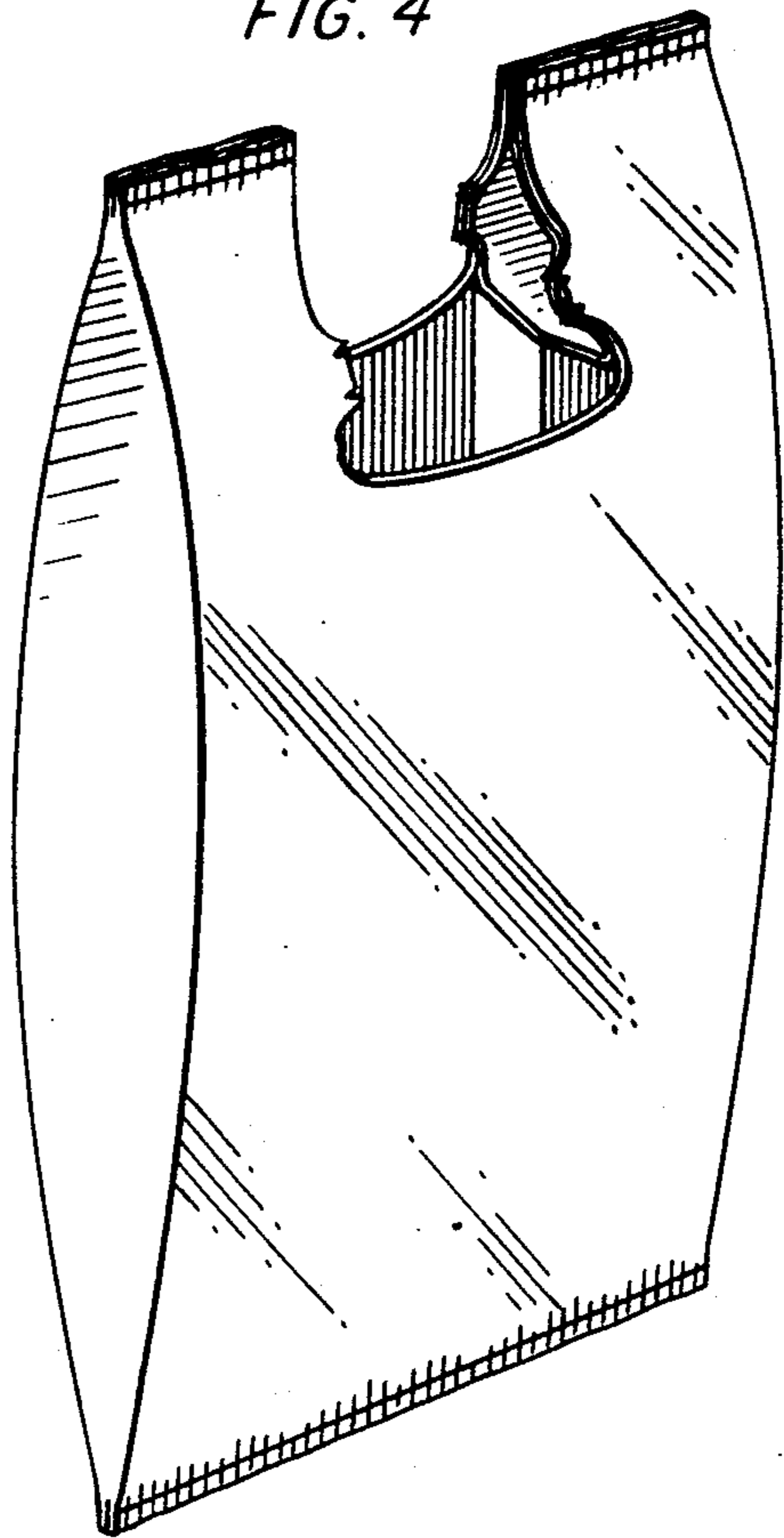


FIG. 6

