

[54] EXTENSION SLIDE FOR A TABLE OR SIMILAR ARTICLE

[76] Inventor: Ruca Chien, 77 Kuang Rong La., Sec. 2, Chung Shan Rd., Pan-Chiao, Taipei Hsien, Taiwan

[\*\*] Term: 14 Years

[21] Appl. No.: 593,283

[22] Filed: Mar. 24, 1984

[52] U.S. Cl. .... D6/491

[58] Field of Search ..... D6/429, 430, 431, 509, D6/510, 511; 108/65, 67, 88, 102, 114

[56] References Cited

U.S. PATENT DOCUMENTS

- D. 208,785 10/1967 Jakobsen ..... D6/430
- D. 218,321 8/1970 Vanderley ..... D6/510

- D. 263,914 4/1982 Litchfield et al. .... D6/510
- D. 264,293 5/1982 Litchfield et al. .... D6/510
- D. 279,340 6/1985 Spear ..... D6/430 X
- 1,243,621 10/1917 Nelson ..... 108/67
- 1,788,778 1/1931 Parsons ..... 108/67

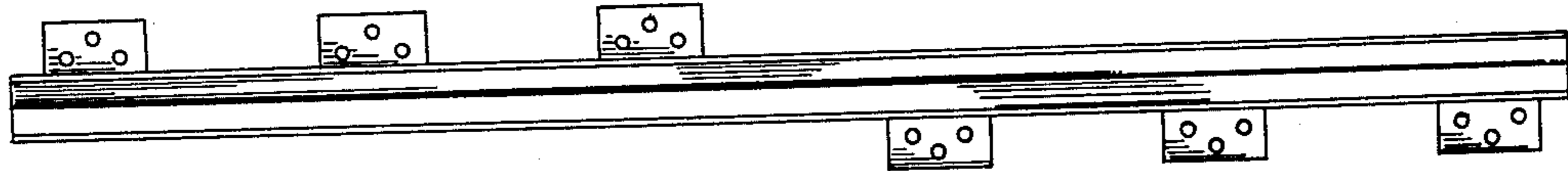
Primary Examiner—Bruce W. Dunkins  
Attorney, Agent, or Firm—Leonard Bloom

[57] CLAIM

The ornamental design for an extension slide for a table or similar article, as shown and described.

DESCRIPTION

FIG. 1 is a top plan view of an extension slide for a table or similar article showing my design; FIG. 2 is a side elevational view; FIG. 3 is an end elevational view; and FIG. 4 is a perspective view thereof. The side of the extension slide not shown is a mirror image of the side shown in FIG. 2.



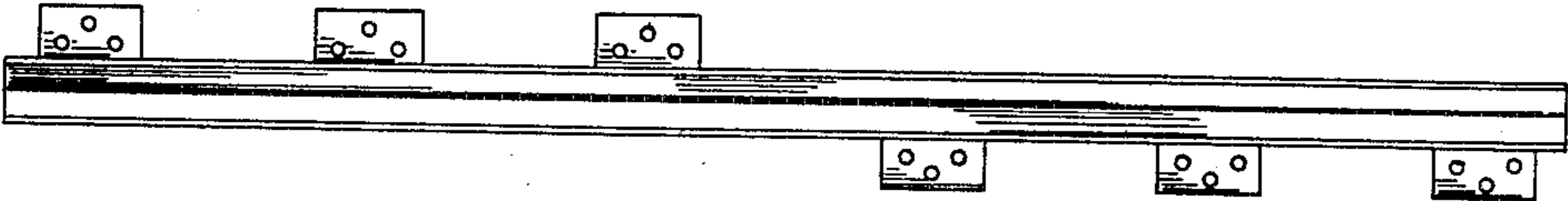


FIG. 1

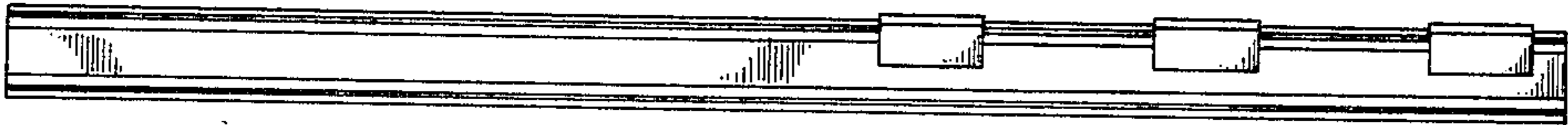


FIG. 2



FIG. 3

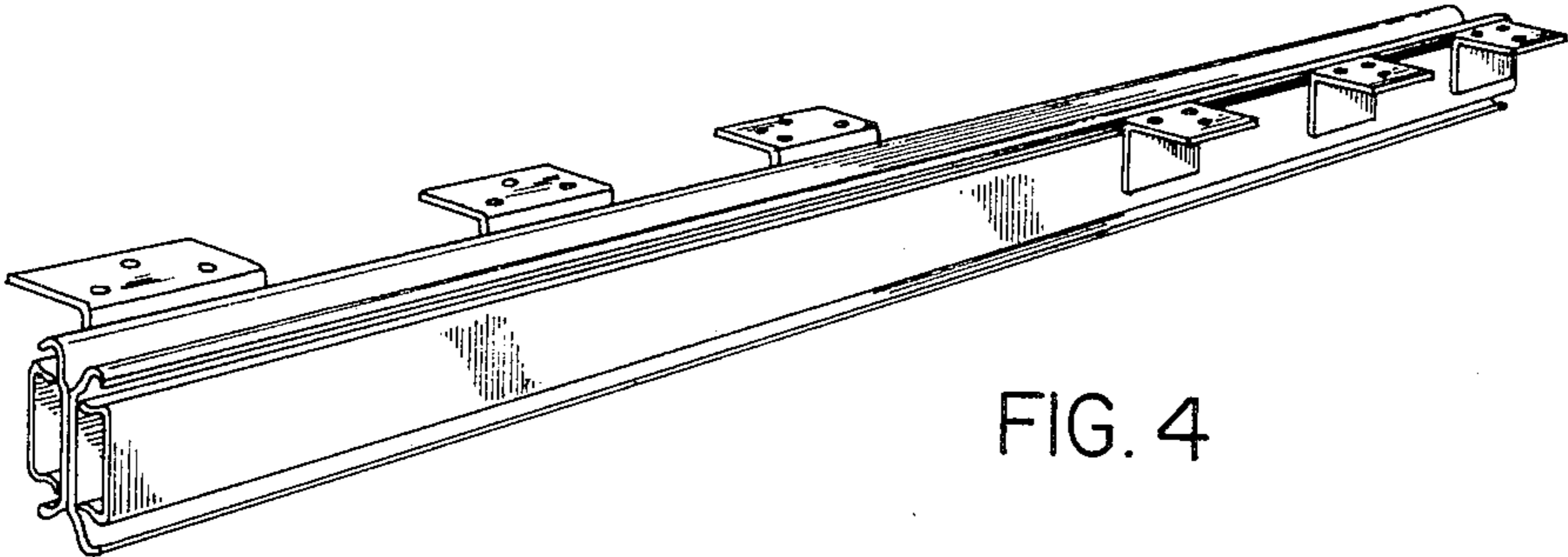


FIG. 4