

[54] **TABLE**

[76] **Inventor:** Douglas E. Bickle, 9025 Keith Ave.,
#202, Los Angeles, Calif. 90069

[**] **Term:** 14 Years

[21] **Appl. No.:** 641,002

[22] **Filed:** Aug. 15, 1984

[52] **U.S. Cl.** D6/486

[58] **Field of Search** D6/449, 480, 481, 482,
D6/484, 486, 488, 489; 108/103, 139

[56]

References Cited

U.S. PATENT DOCUMENTS

D. 246,022	10/1977	Mathur	D6/486
D. 280,580	9/1985	Appel et al.	D6/486
3,980,027	9/1976	Maës	108/103

OTHER PUBLICATIONS

Intrex Catalog, Jul. 1977, Table No. 111030.
Primary Examiner—Bruce W. Dunkins
Attorney, Agent, or Firm—Kelly, Bauersfeld & Lowry

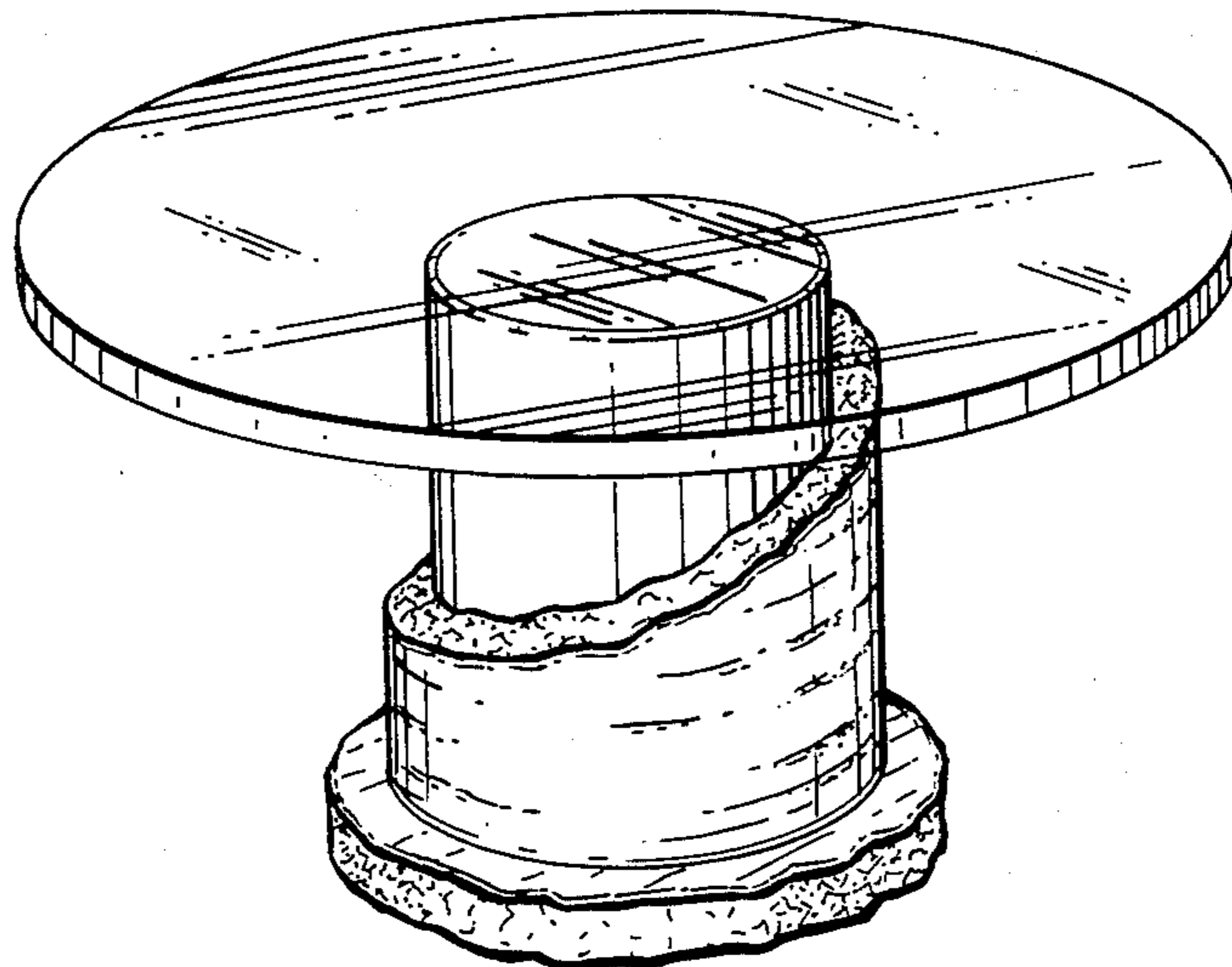
[57]

CLAIM

The ornamental design for a table, substantially as shown.

DESCRIPTION

FIG. 1 is a perspective view of a table showing my design;
FIG. 2 is a side elevational view thereof;
FIG. 3 is a further side elevational view thereof from a perspective different from that shown in FIG. 2;
FIG. 4 is a top plan view thereof; and,
FIG. 5 is a bottom plan view thereof.



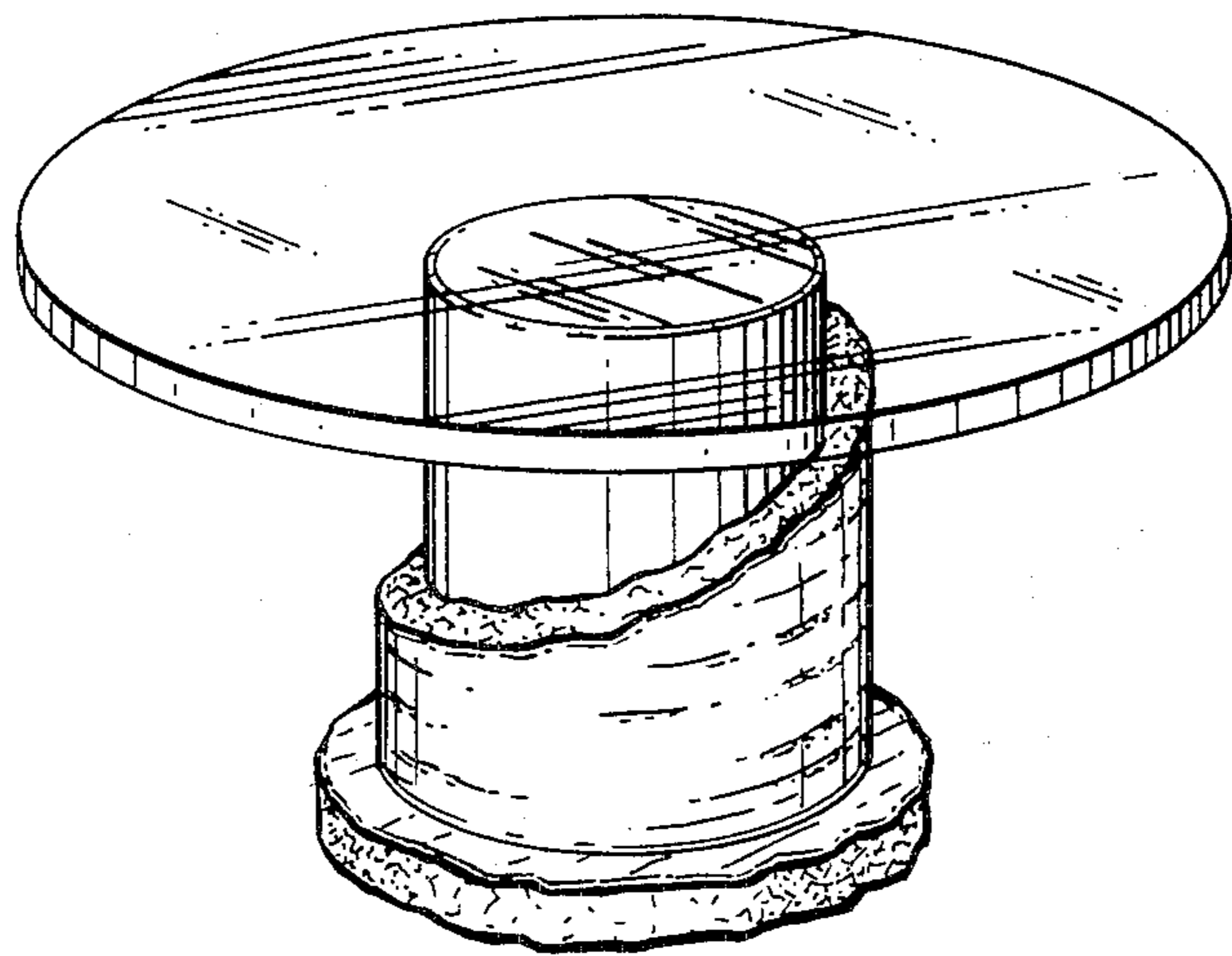


FIG. 1

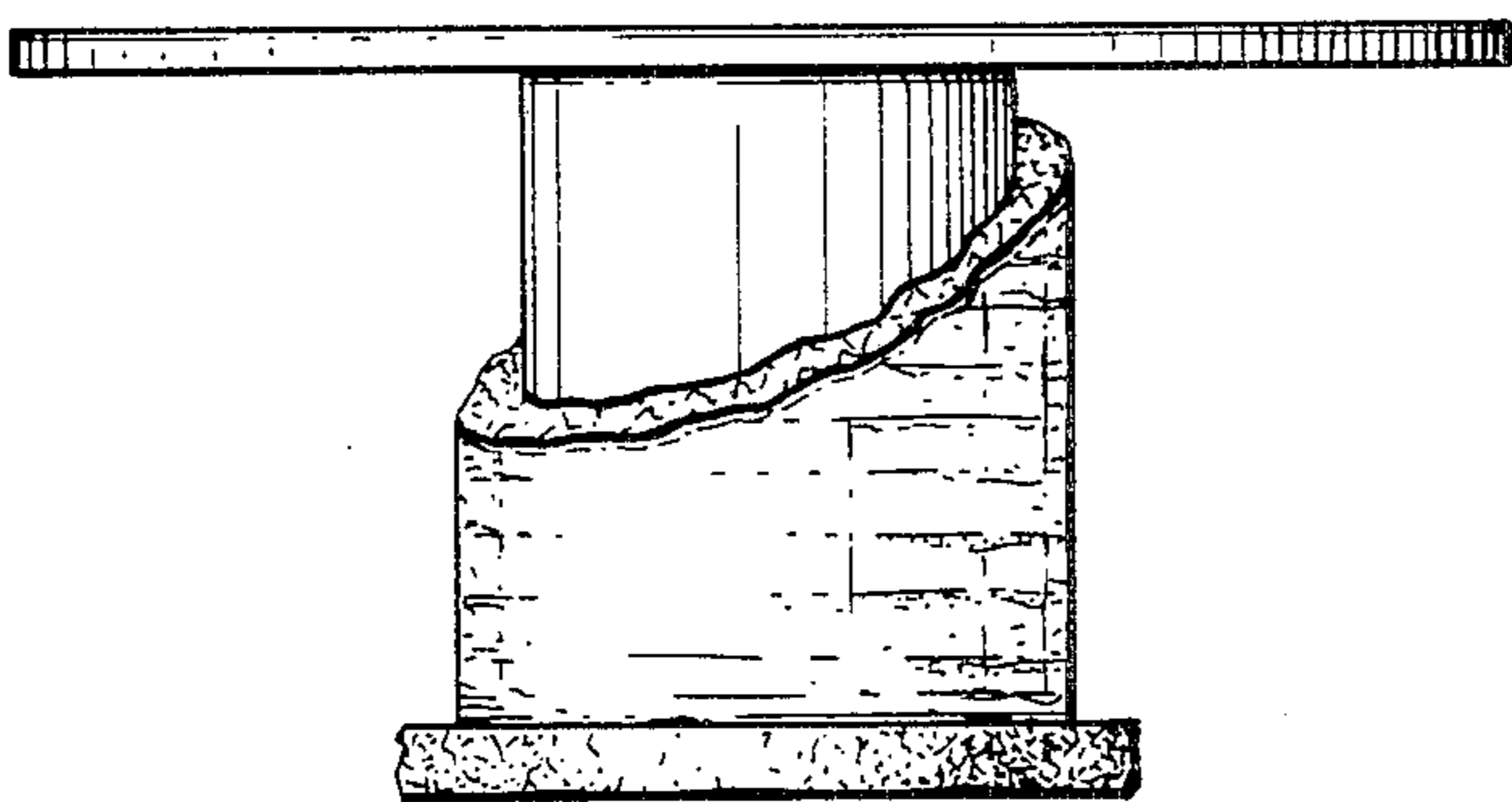


FIG. 2

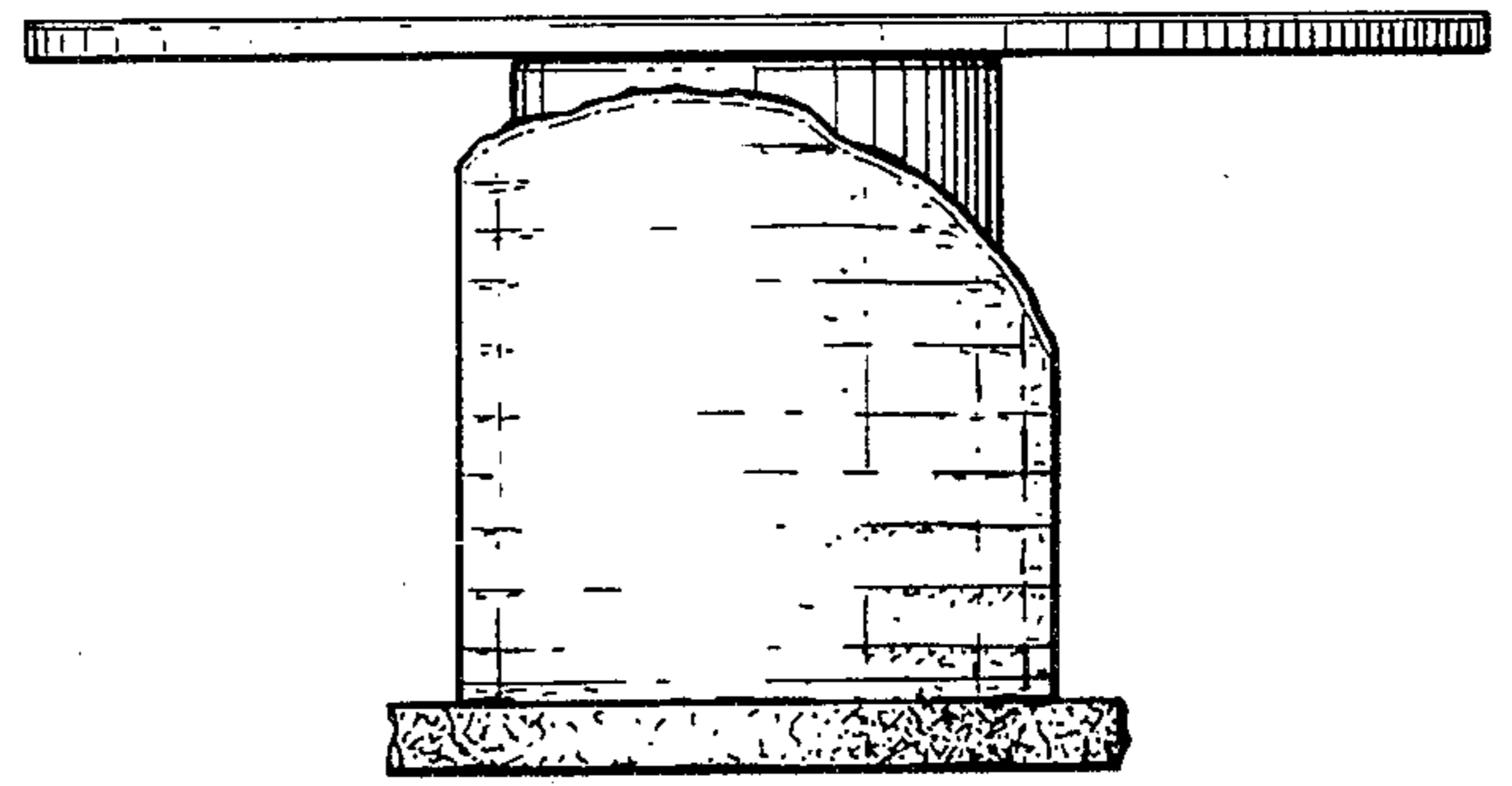


FIG. 3

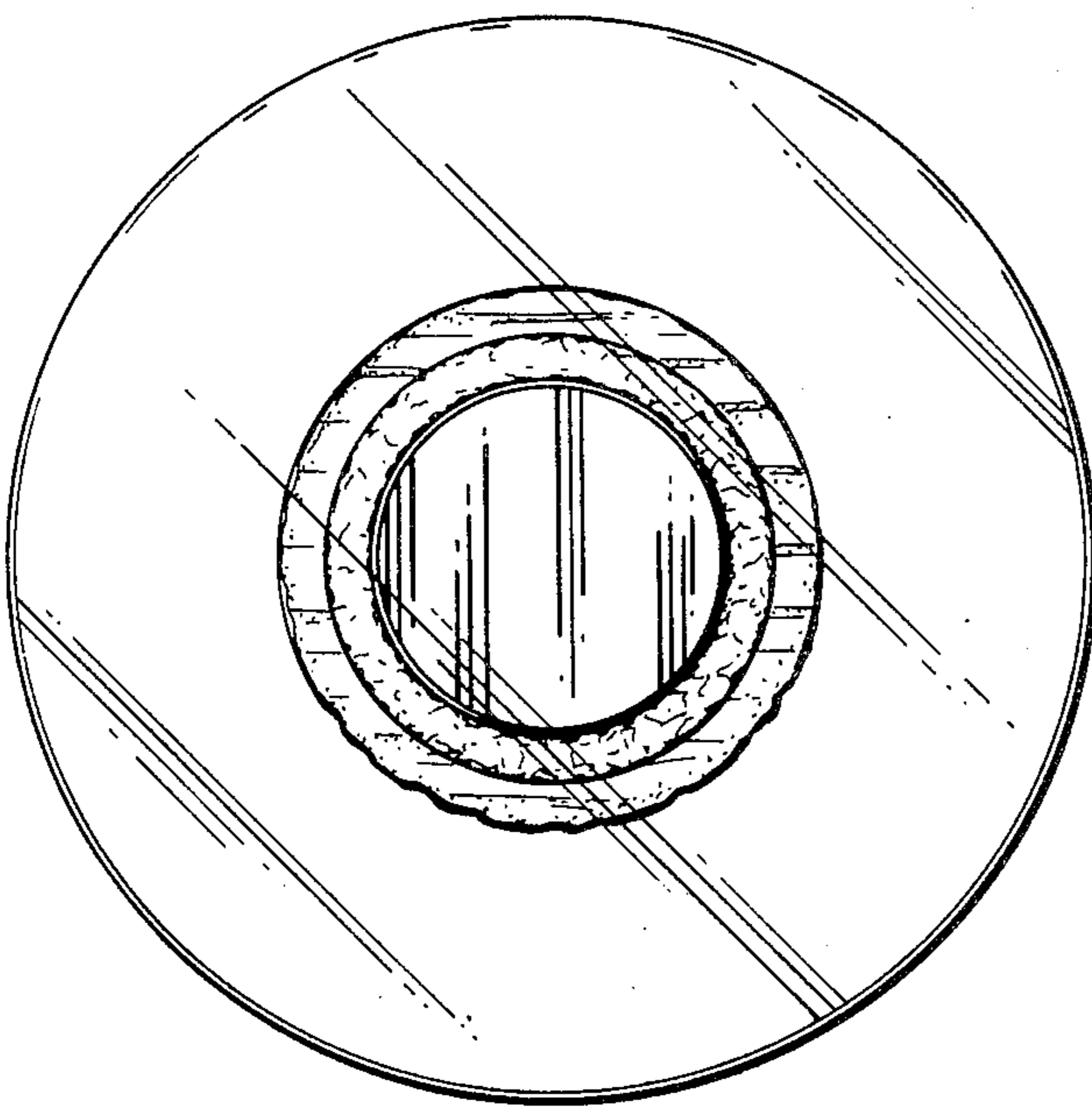


FIG. 4

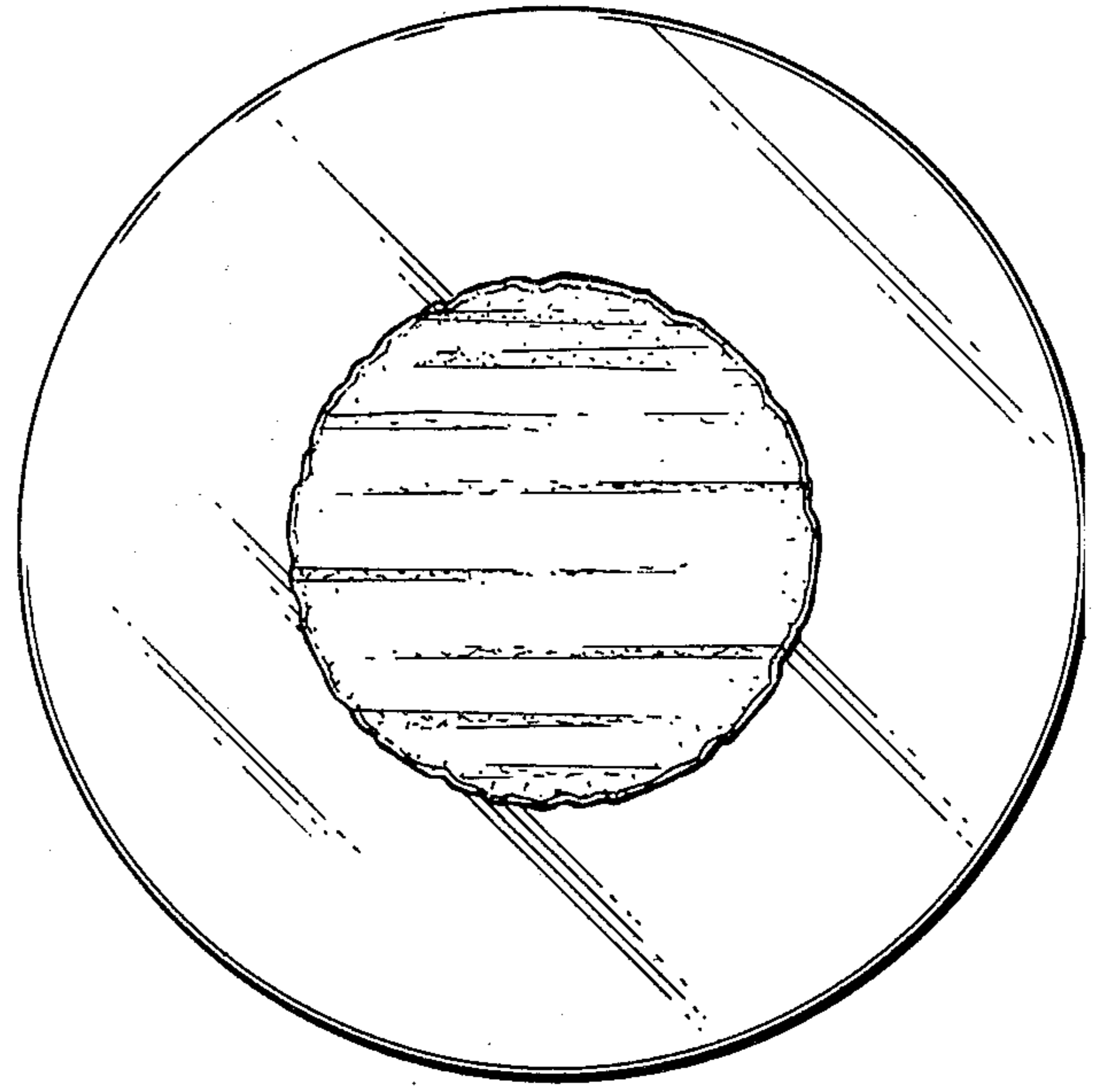


FIG. 5