

[54] BOATCHAIR

[76] Inventor: Richard P. Rossi, 22 Deerfield Dr., Montpelier, Vt. 05602

[**] Term: 14 Years

[21] Appl. No.: 634,074

[22] Filed: Jul. 25, 1984

[52] U.S. Cl. D6/368

[58] Field of Search D6/334, 349, 353, 356, D6/367, 368; D12/317; 297/464, 468, 473, 16

[56] References Cited

U.S. PATENT DOCUMENTS

- D. 171,506 2/1954 Laird D6/368
- D. 178,900 10/1956 O'Neill D6/368
- D. 193,336 8/1962 Batie et al. D6/368 X
- D. 200,309 2/1965 Sokolis D6/368 X
- D. 240,781 8/1976 Kohler D6/368 X

- D. 250,442 12/1978 Pesiri D6/356 X
- D. 252,658 8/1979 Kressin D6/368
- 3,994,529 11/1976 Lippert D6/368 X

Primary Examiner—Bruce W. Dunkins
Attorney, Agent, or Firm—Thomas N. Neiman

[57] CLAIM

The ornamental design for a boatchair, as shown and described.

DESCRIPTION

FIG. 1 is a top plan view of a boatchair showing my design in open position;
 FIG. 2 is a rear elevational view thereof;
 FIG. 3 is a front elevational view thereof;
 FIG. 4 is a side view thereof;
 FIG. 5 is a bottom view thereof;
 FIG. 6 is a side view of the boatchair in the folded position; and
 FIG. 7 is a top view thereof.

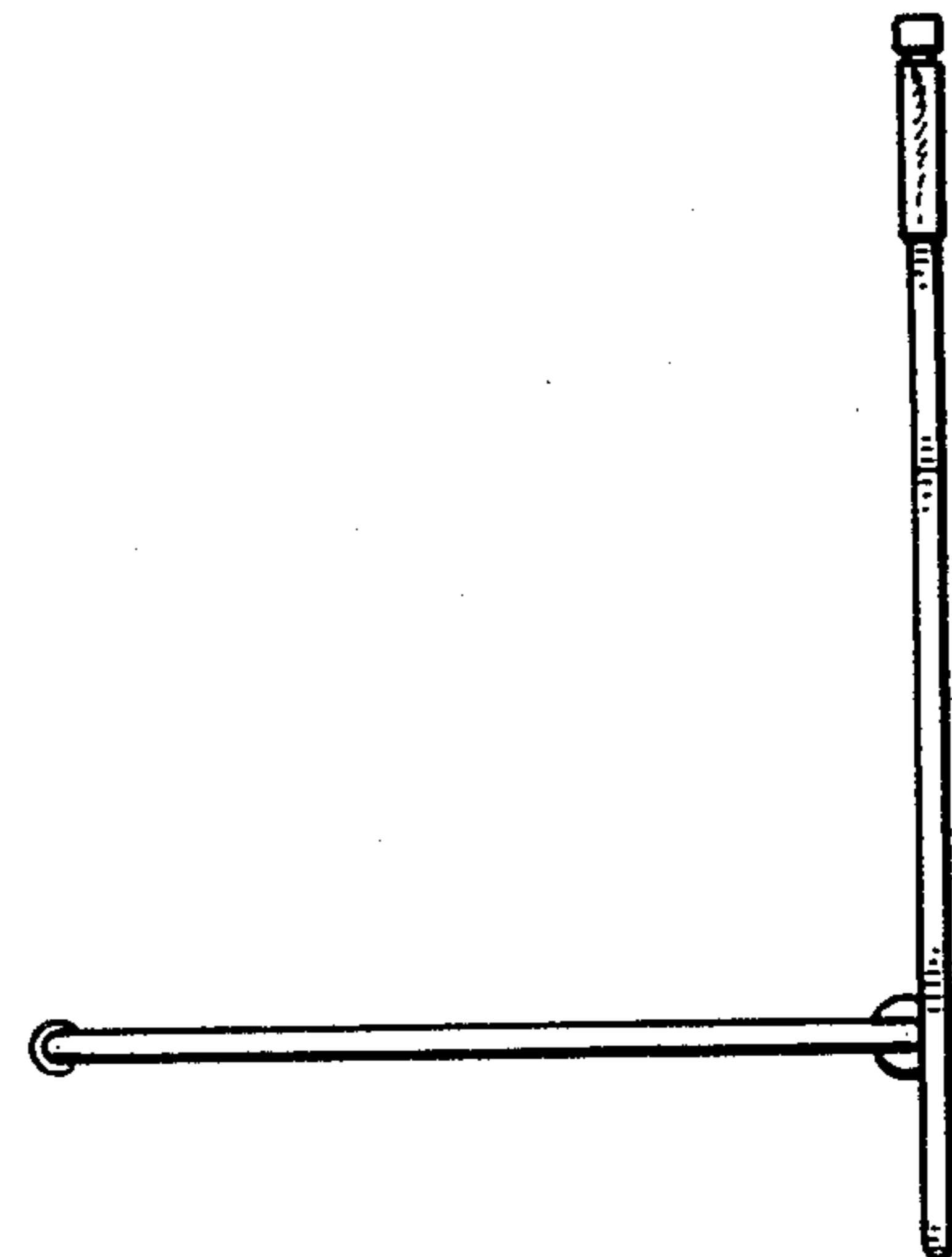
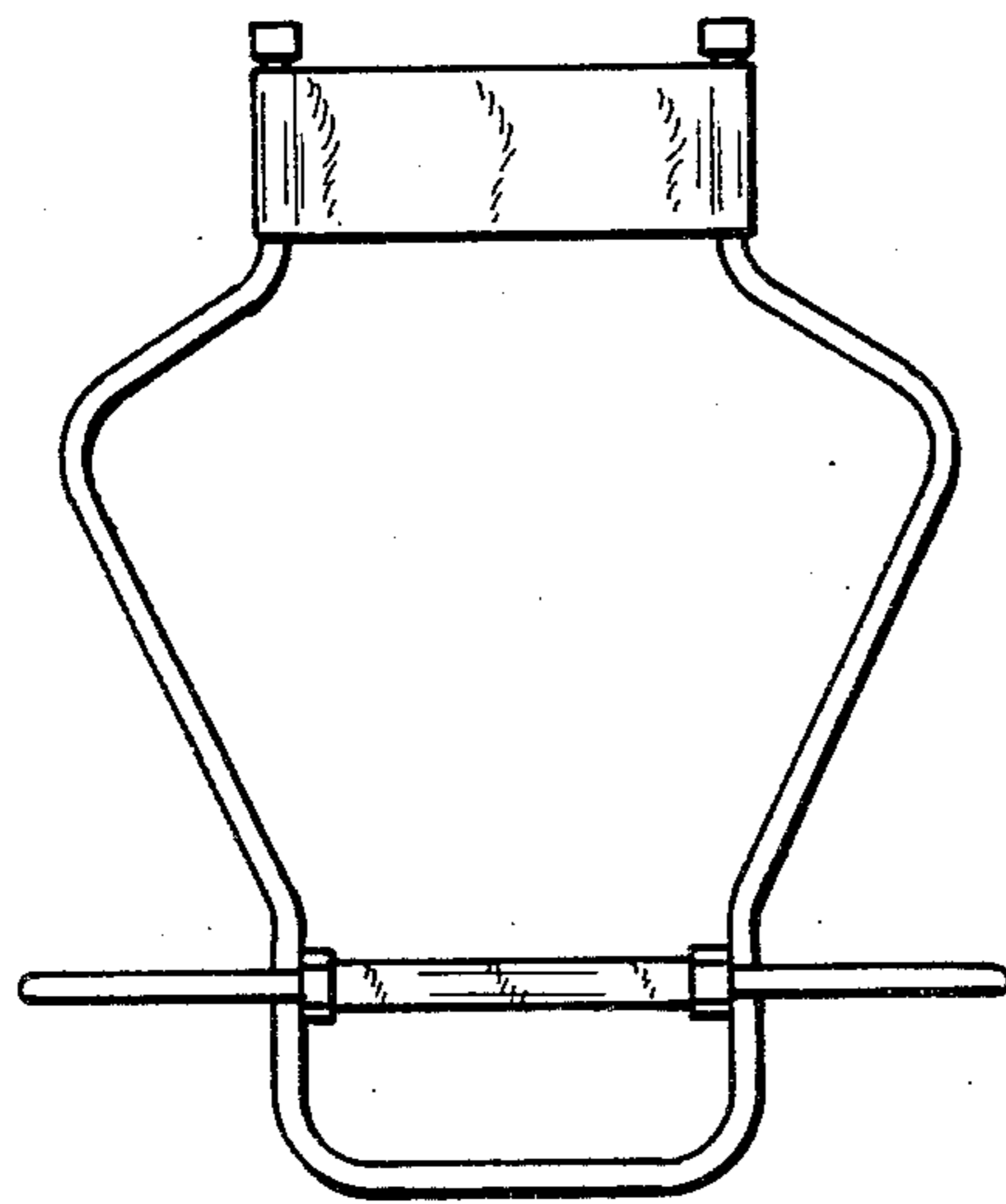


FIG. 1

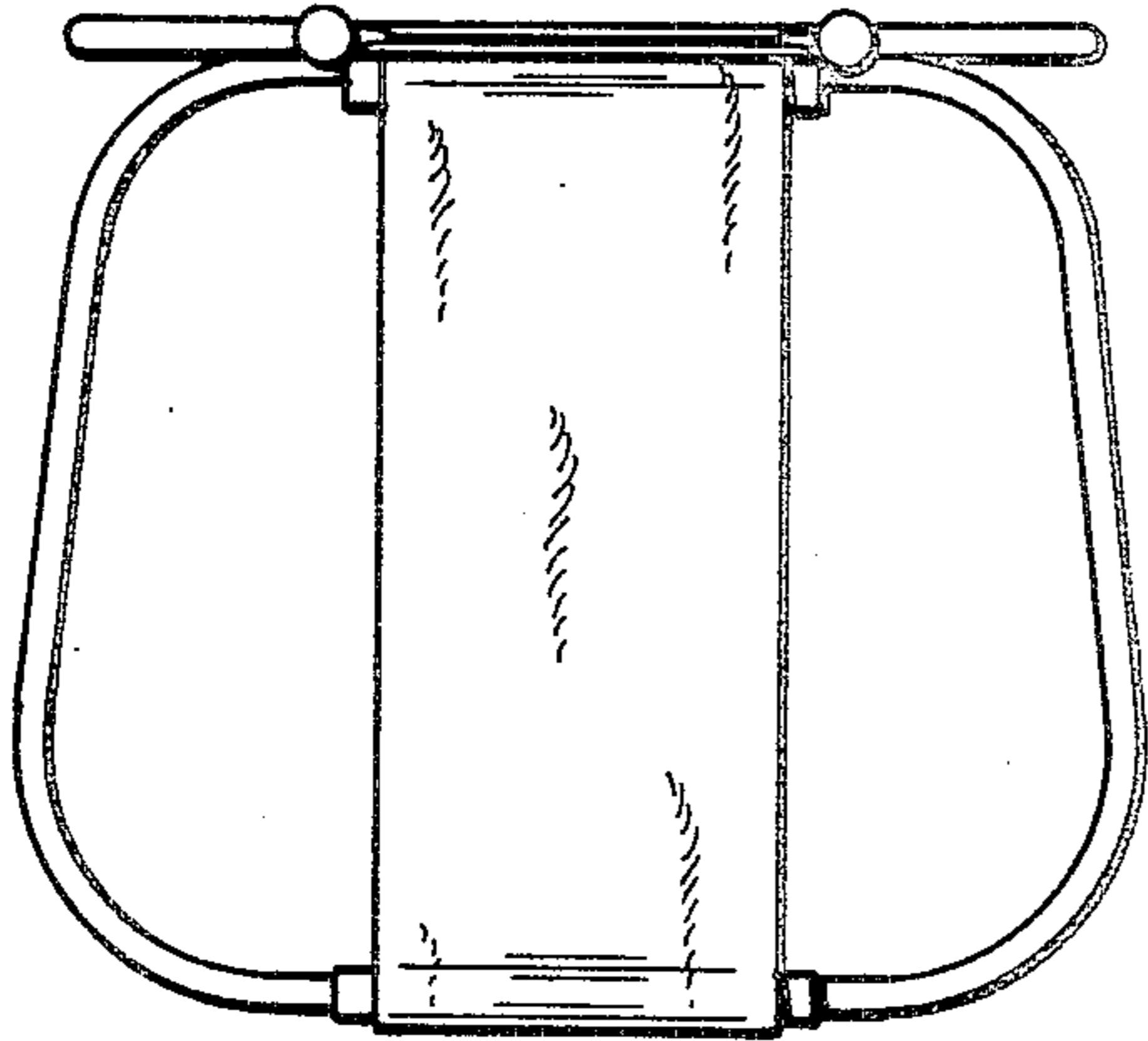


FIG. 2

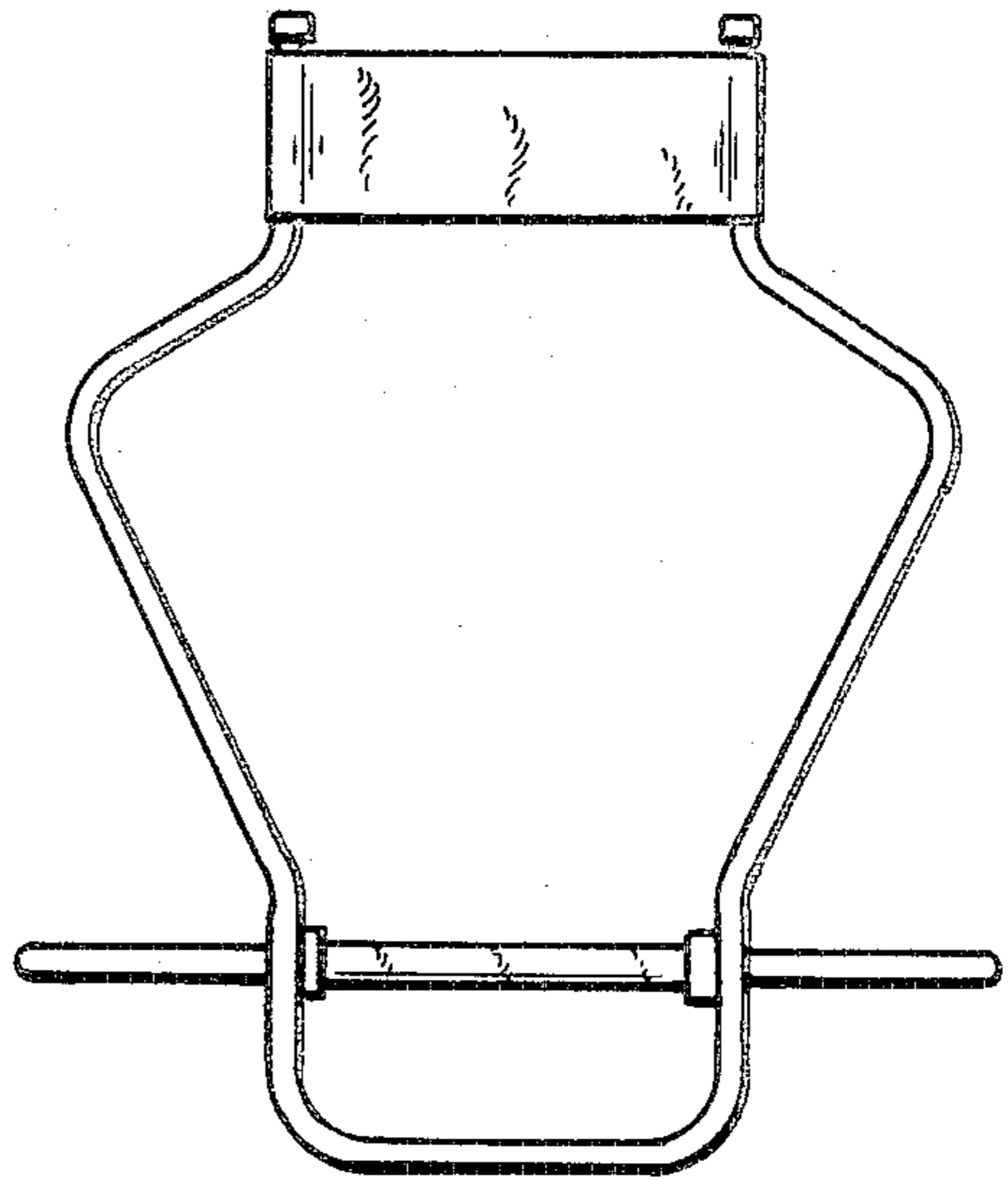


FIG. 3

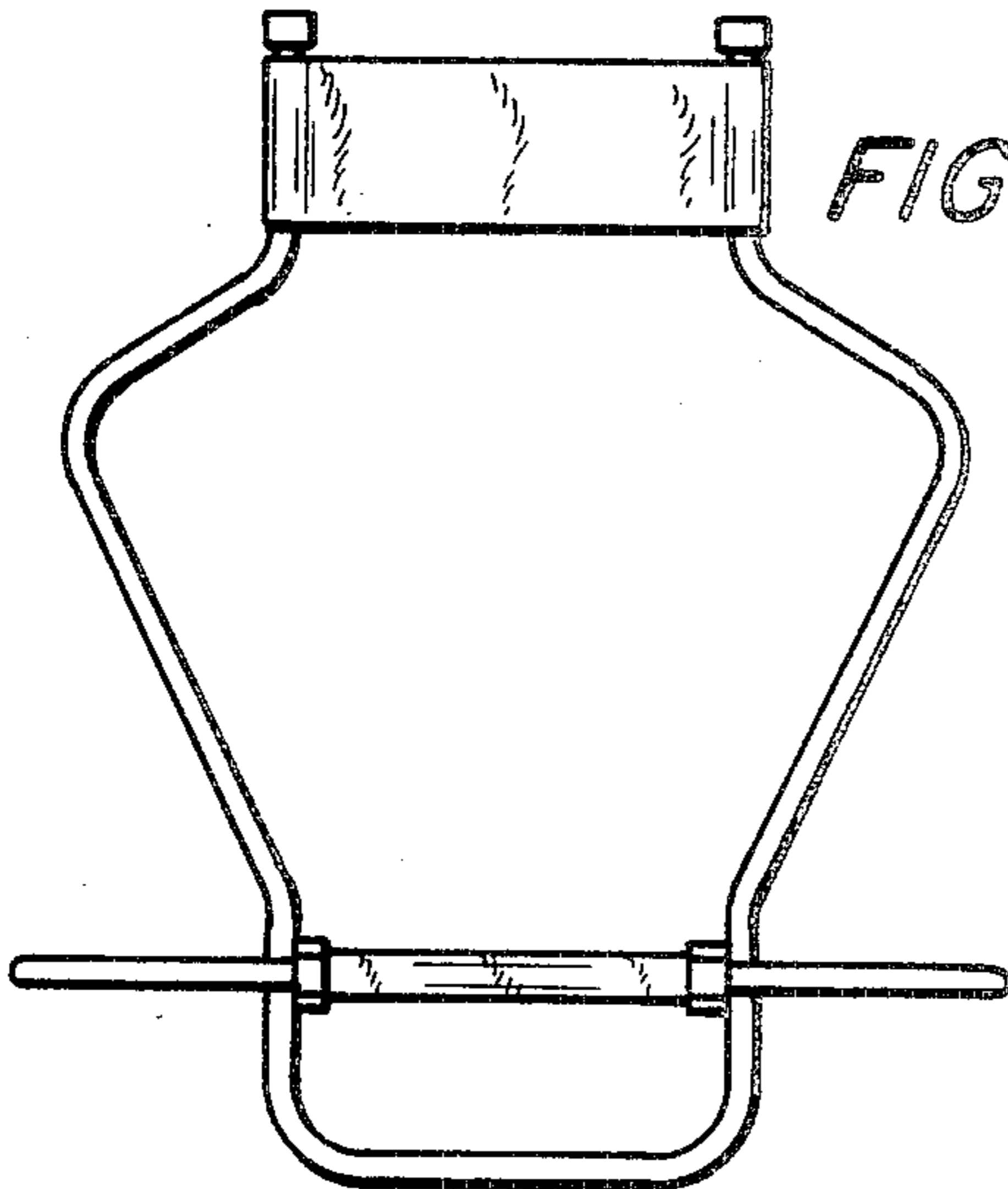


FIG. 4

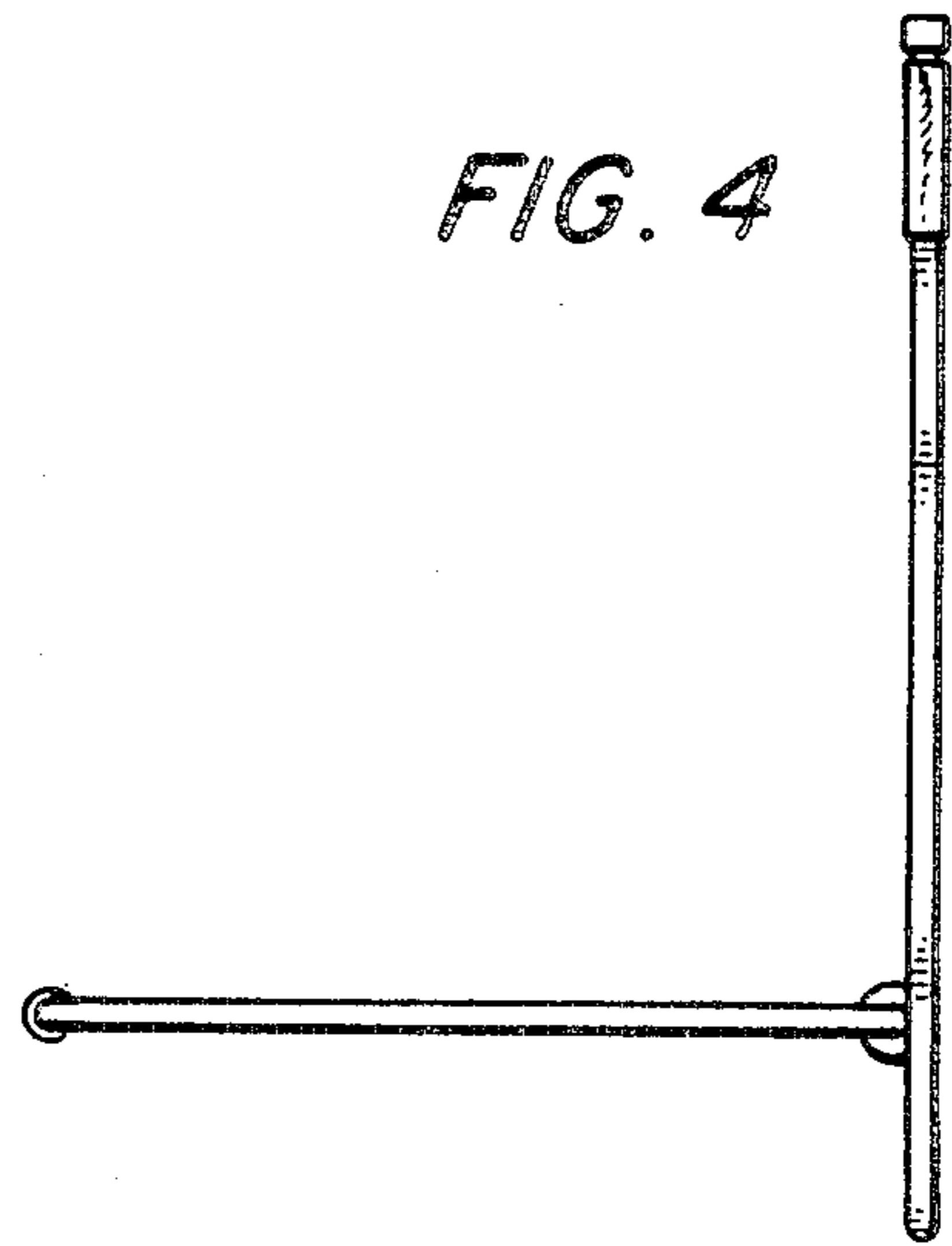


FIG. 6

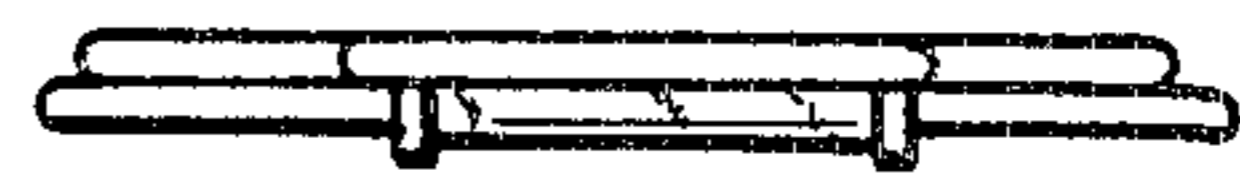


FIG. 5

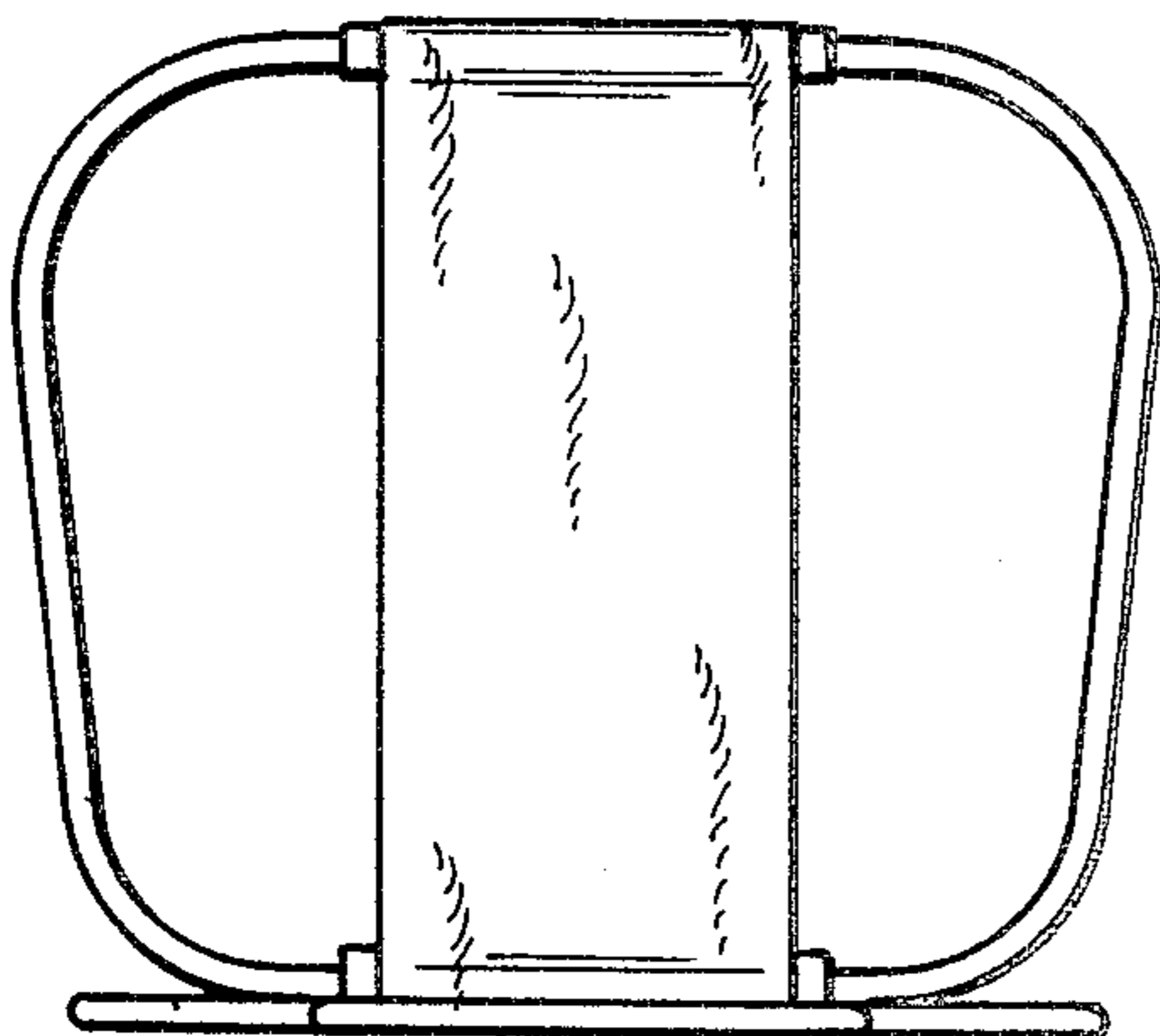


FIG. 7

