

[54] COSMETIC ORGANIZER OR SIMILAR ARTICLE

[76] Inventor: Howard Sussman, 3101 NW. 25th Ave., Pompano Beach, Fla. 33060

[**] Term: 14 Years

[21] Appl. No.: 644,367

[22] Filed: Aug. 27, 1984

[52] U.S. Cl. D28/73; D9/347

[58] Field of Search D28/61, 73, 76-79, D28/82-86, 99; D3/39; D9/424, 341, 347, 348; D21/108; D24/31; 132/1 R, 1 A, 79 R; 206/235, 385, 581, 823, 557, 563, 564, 503-505, 509, 514, 515

[56] **References Cited**
U.S. PATENT DOCUMENTS

- D. 234,727 4/1975 Mark D3/39
- D. 238,144 12/1975 Ketcham D21/108 X

- D. 238,145 12/1975 Ketcham D21/108 X
- D. 249,362 12/1978 Forsman et al. D24/31
- 3,851,936 12/1974 Muller 206/504 X

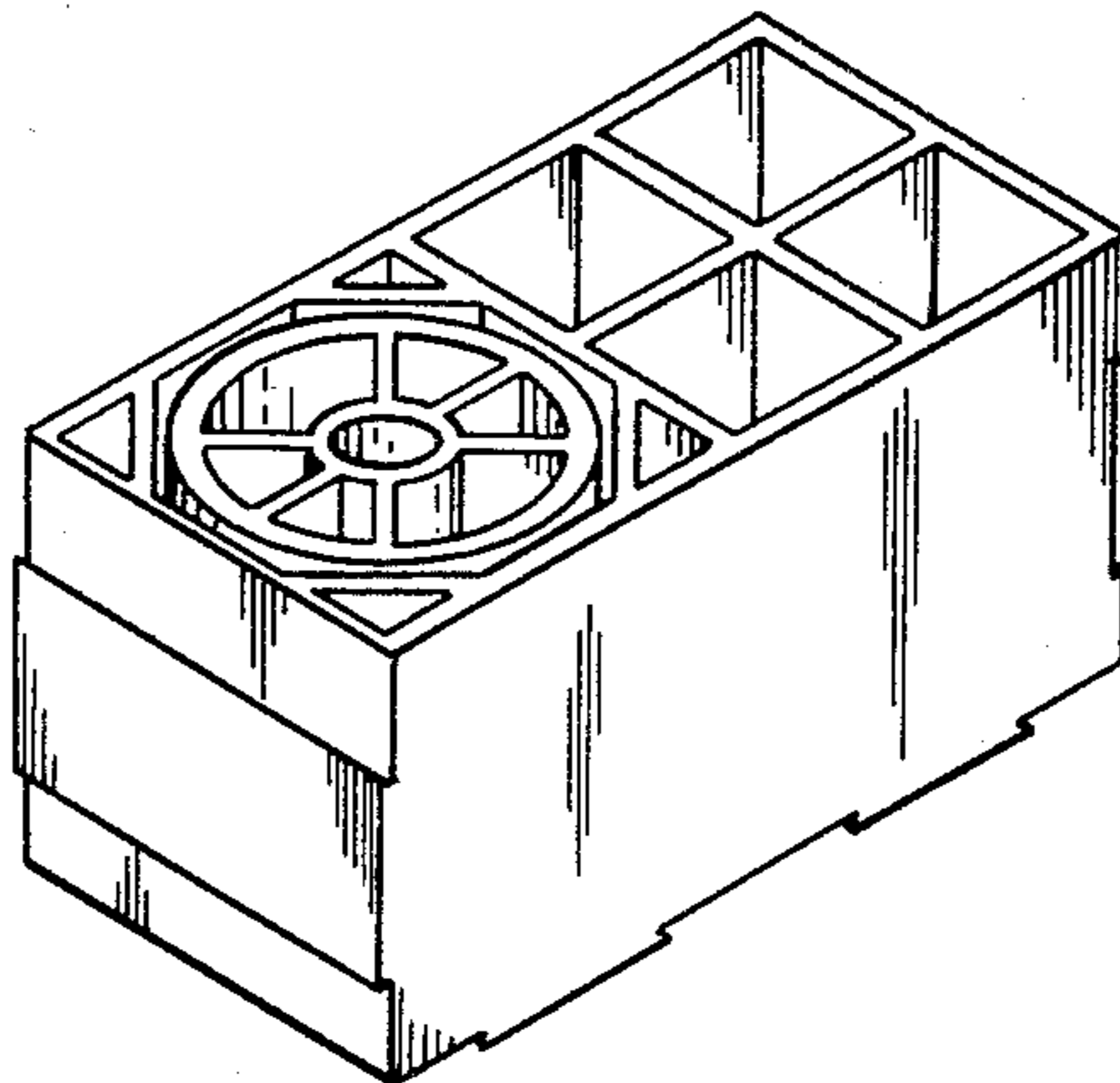
Primary Examiner—Louis S. Zarfaz
Attorney, Agent, or Firm—Bauer & Amer

[57] **CLAIM**

The ornamental design for a cosmetic organizer or similar article, as shown and described.

DESCRIPTION

FIG. 1 is a perspective view of a cosmetic organizer or similar article showing my new design; FIG. 2 is a top plain view thereof; FIG. 3 is a bottom plan view thereof; FIG. 4 is a front elevational view thereof; FIG. 5 is a rear elevational view; FIG. 6 is a right side elevational view thereof; FIG. 7 is a left side elevational view thereof; and FIG. 8 is a right side elevational view thereof, in section, taken along line 8—8 of FIG. 2.



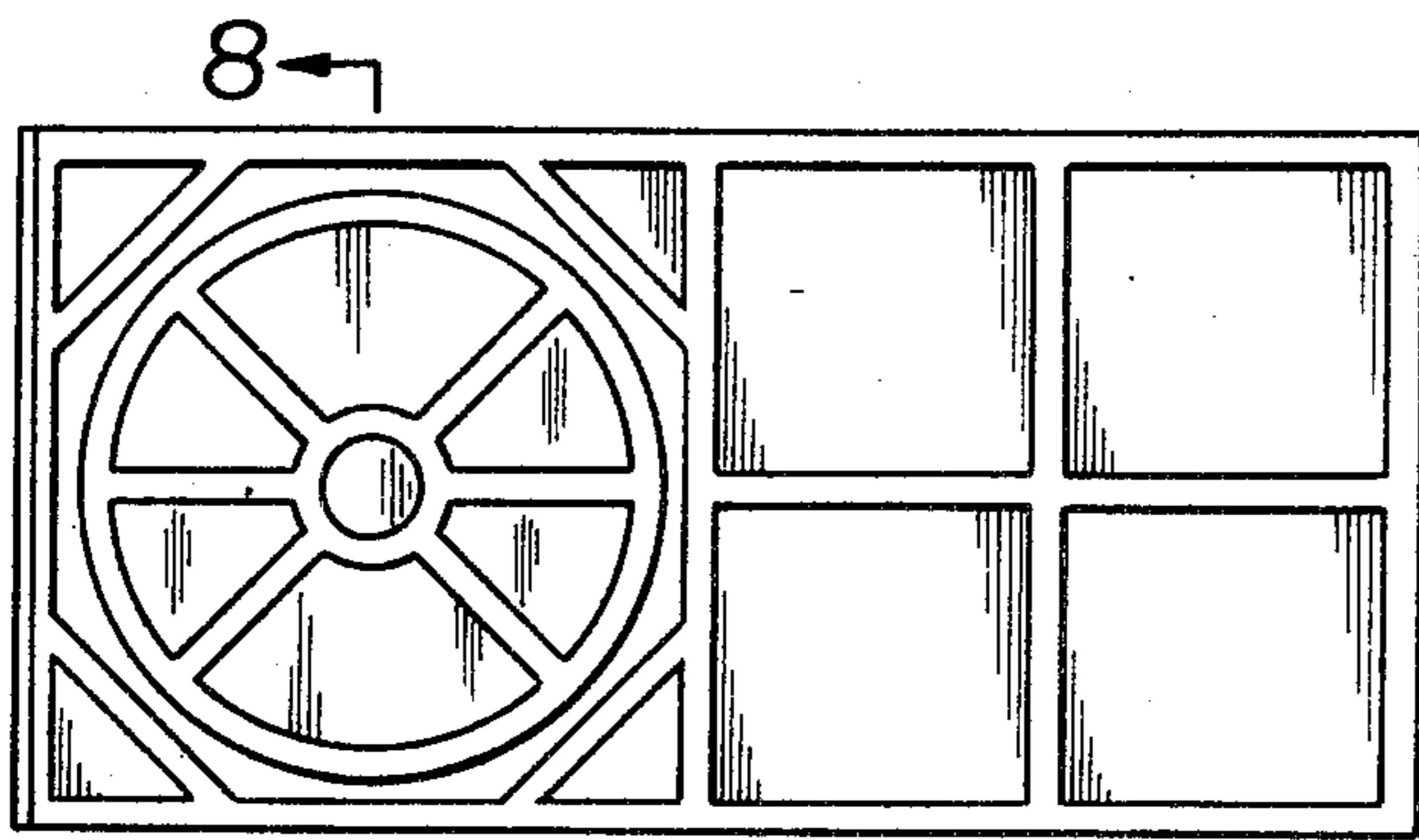


FIG. 2

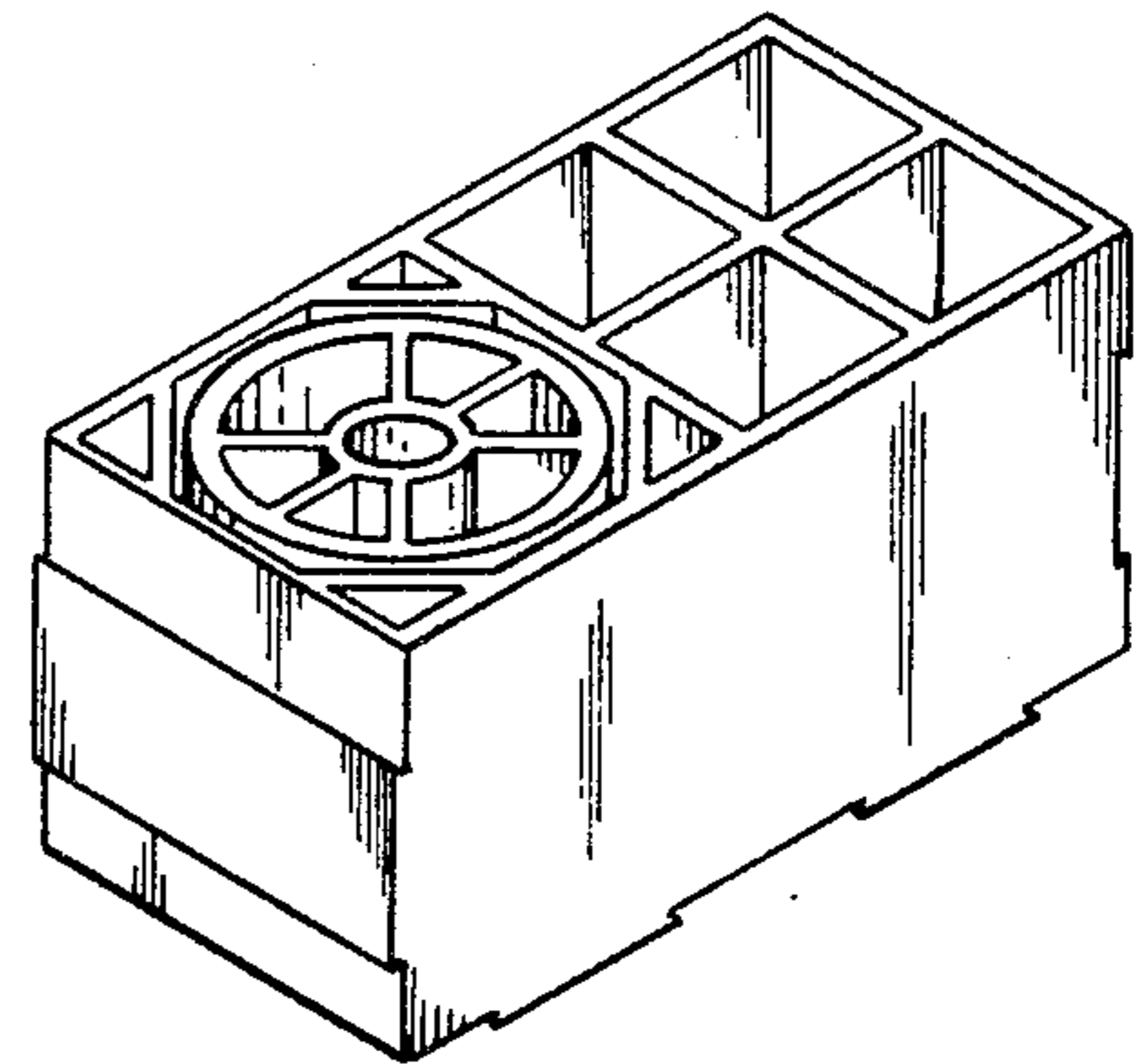


FIG. 1

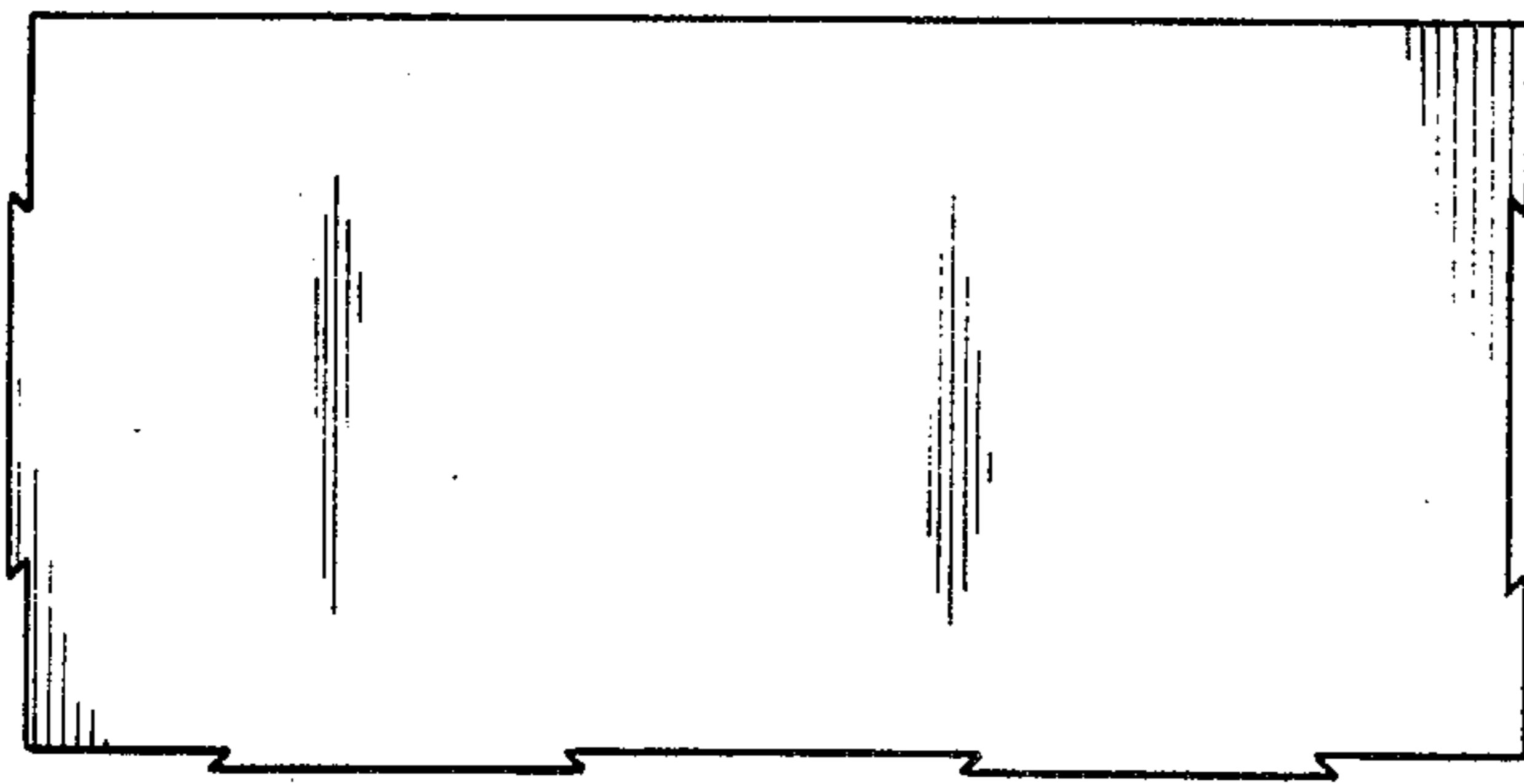


FIG. 3

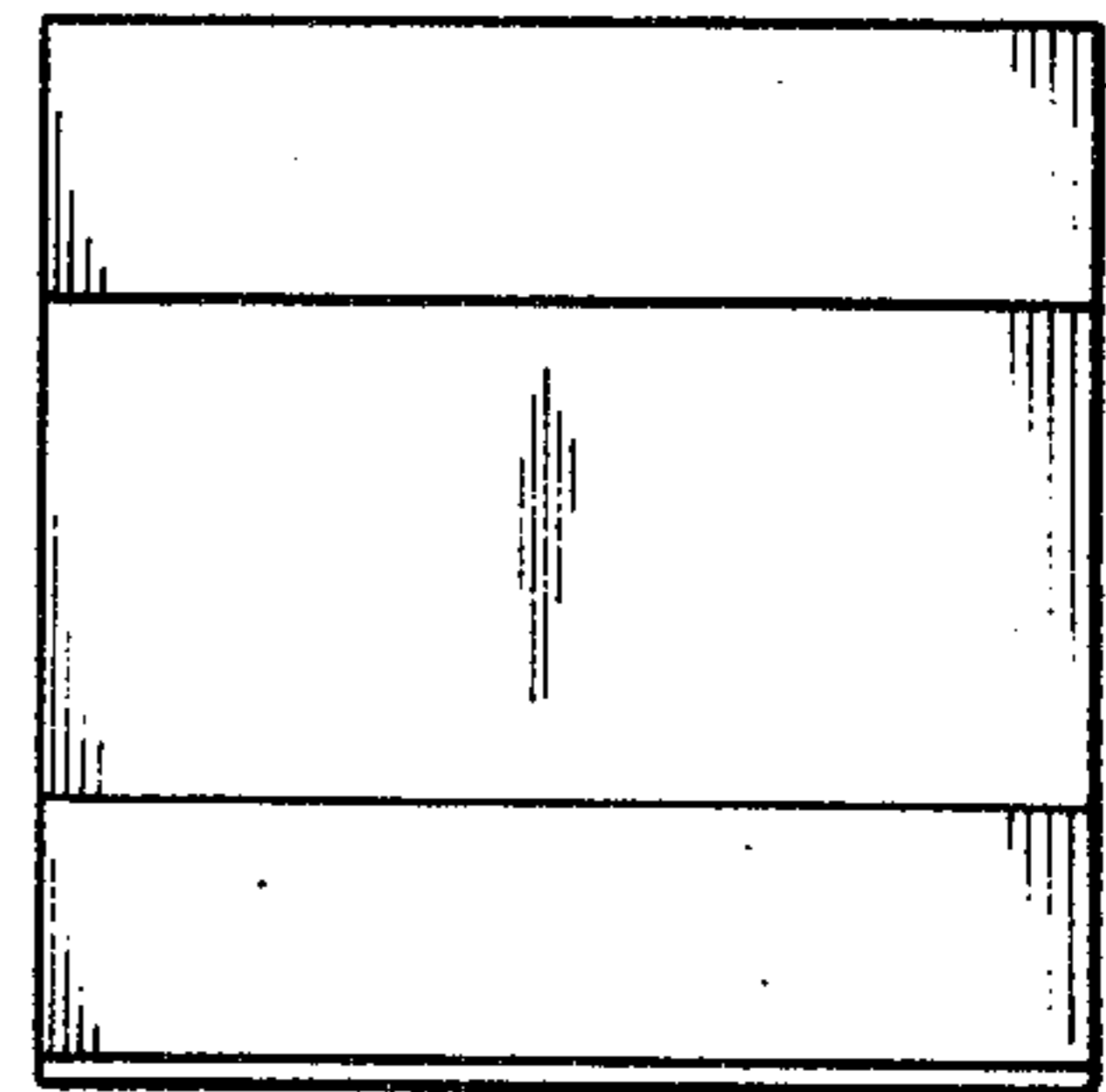


FIG. 6

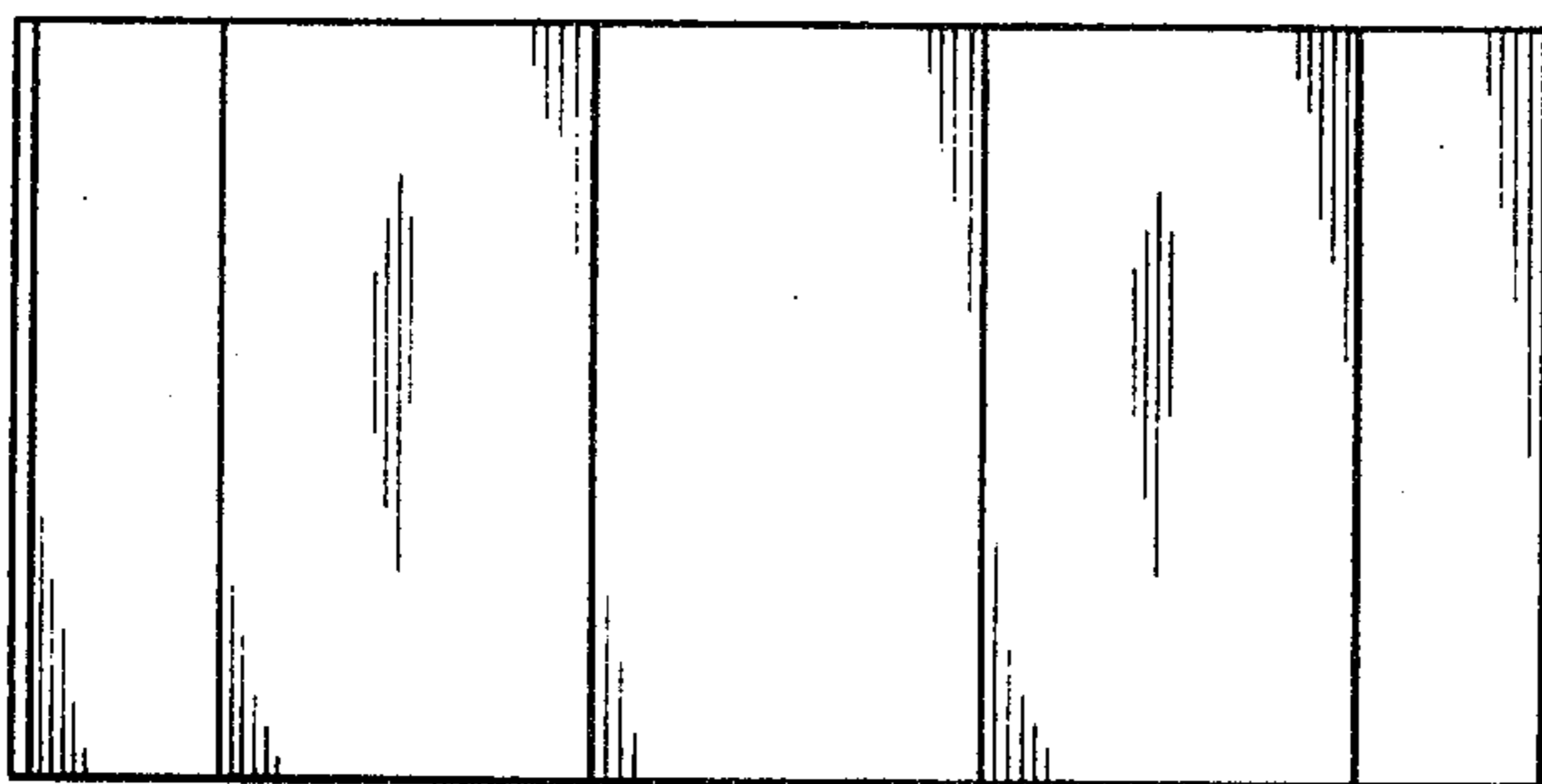


FIG. 4

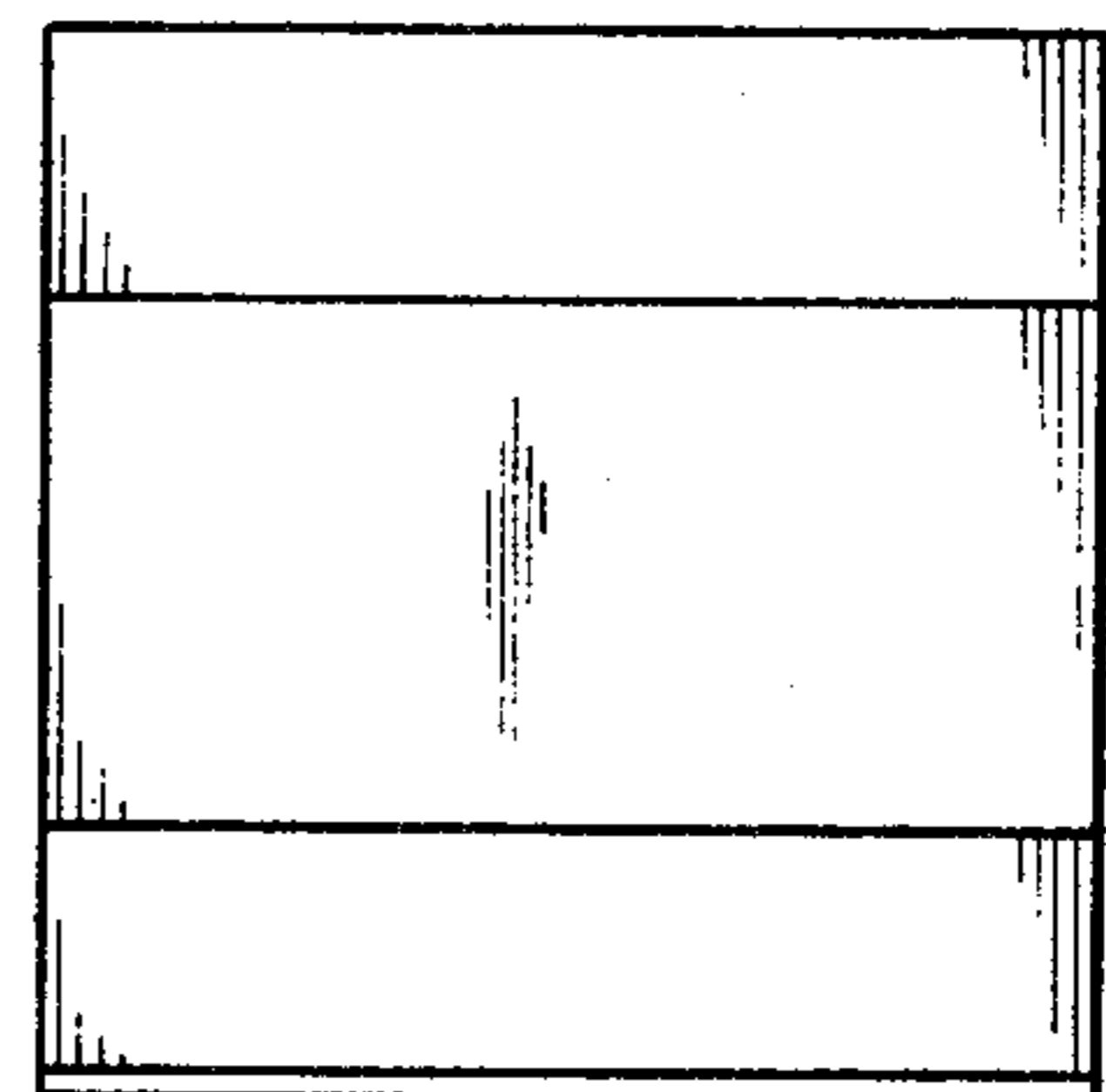


FIG. 7

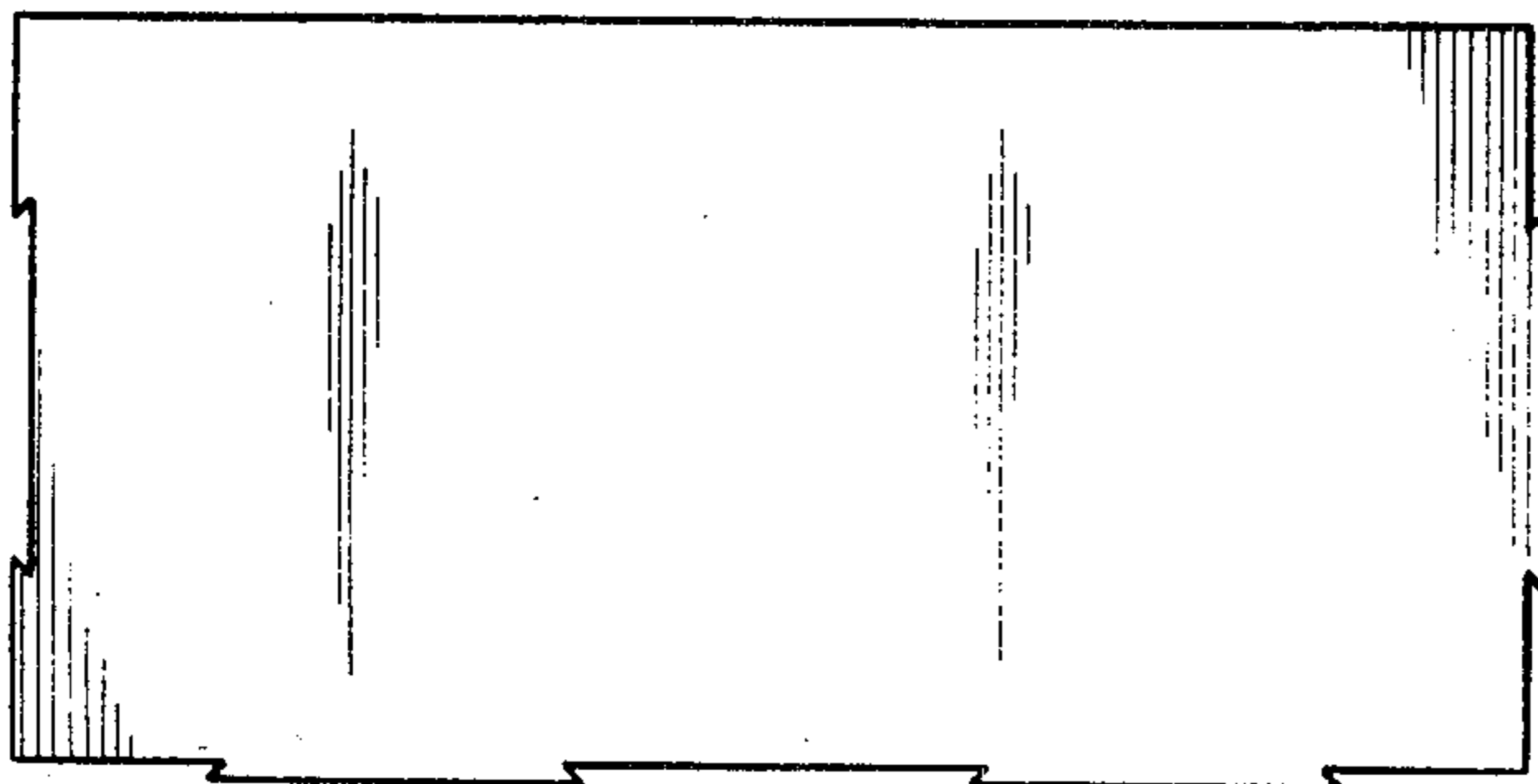


FIG. 5

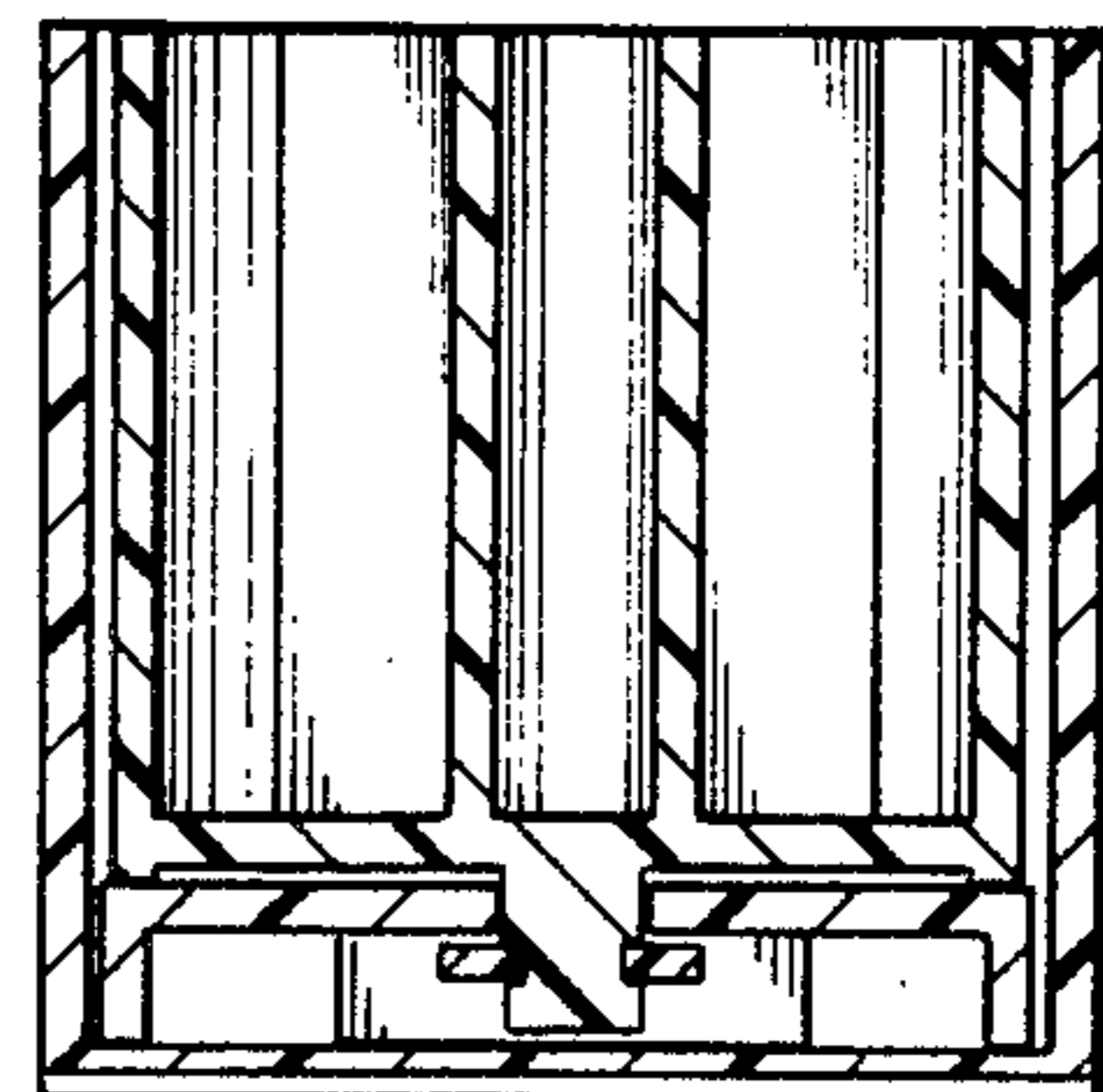


FIG. 8