

[54] RAISED SUPERIMPOSED TOILET SEAT OR THE LIKE

[75] Inventor: John Broeils, Wycoff, N.J.

[73] Assignee: Maddak, Inc., Pequannock, N.J.

[**] Term: 14 Years

[21] Appl. No.: 422,468

[22] Filed: Sep. 23, 1982

[52] U.S. Cl. D23/71

[58] Field of Search D23/71; 4/234-240

[56] References Cited

U.S. PATENT DOCUMENTS

D. 26,365	12/1896	Nichols	D23/71
D. 190,408	5/1961	Finlof	D23/71
D. 237,887	12/1975	Landsberger	D23/71
D. 239,715	4/1976	Finlof	D23/71
D. 242,457	11/1976	Landsberger	D23/71
D. 262,990	2/1982	Rodger	D23/71
612,076	10/1898	Weston	4/239
2,732,566	1/1956	Bruelheide	4/239
2,980,922	4/1961	Taylor	4/235
3,171,138	3/1965	Brunelle	4/237
3,671,981	6/1972	Smith	
4,213,211	7/1980	Bemis et al.	4/235
4,214,323	7/1980	Thomas	4/239

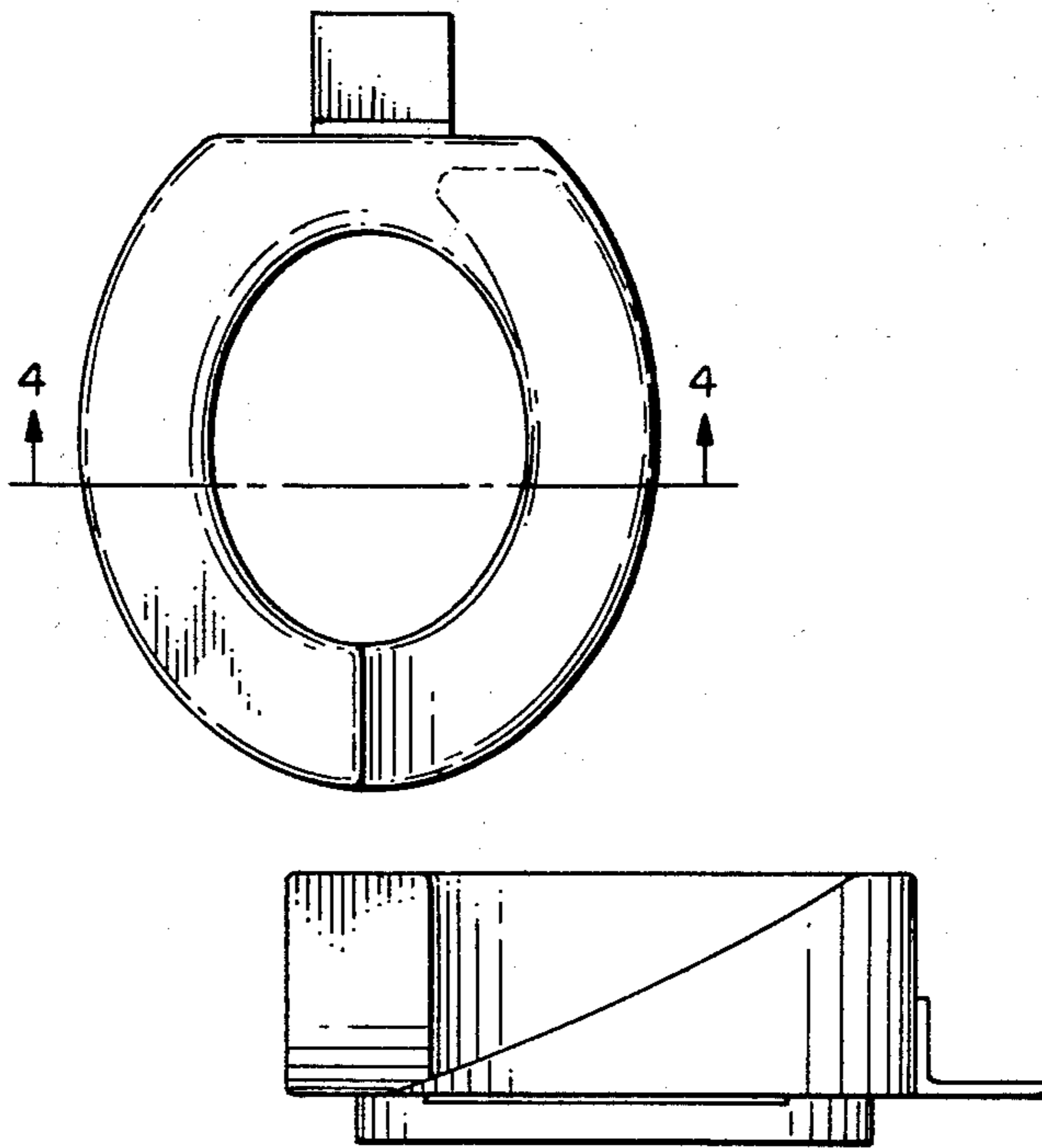
Primary Examiner—James R. Largen
Attorney, Agent, or Firm—Anthony F. Cuoco

[57] CLAIM

The ornamental design for a raised superimposed toilet seat or the like, as shown and described.

DESCRIPTION

FIG. 1 is a top plan view of a raised superimposed toilet seat or the like showing my new design;
 FIG. 2 is a front elevational view thereof;
 FIG. 3 is a right side elevational view thereof;
 FIG. 4 is a cross-sectional view taken on line 4—4 of FIG. 1;
 FIG. 5 is a bottom plan view thereof;
 FIG. 6 is a top plan view of a modified form of the raised superimposed toilet seat or the like shown in FIG. 1;
 FIG. 7 is a front elevational view of FIG. 6;
 FIG. 8 is a left side elevational view of FIG. 6;
 FIG. 9 is a cross-sectional view taken on line 9—9 of FIG. 6;
 FIG. 10 is another right side elevational view of the toilet seat shown in FIG. 1;
 FIG. 11 is another left side elevational view of the toilet seat shown in FIG. 6.
 The broken line representation of a toilet, a toilet seat and cover in FIGS. 10 and 11 is for purposes of illustration only.



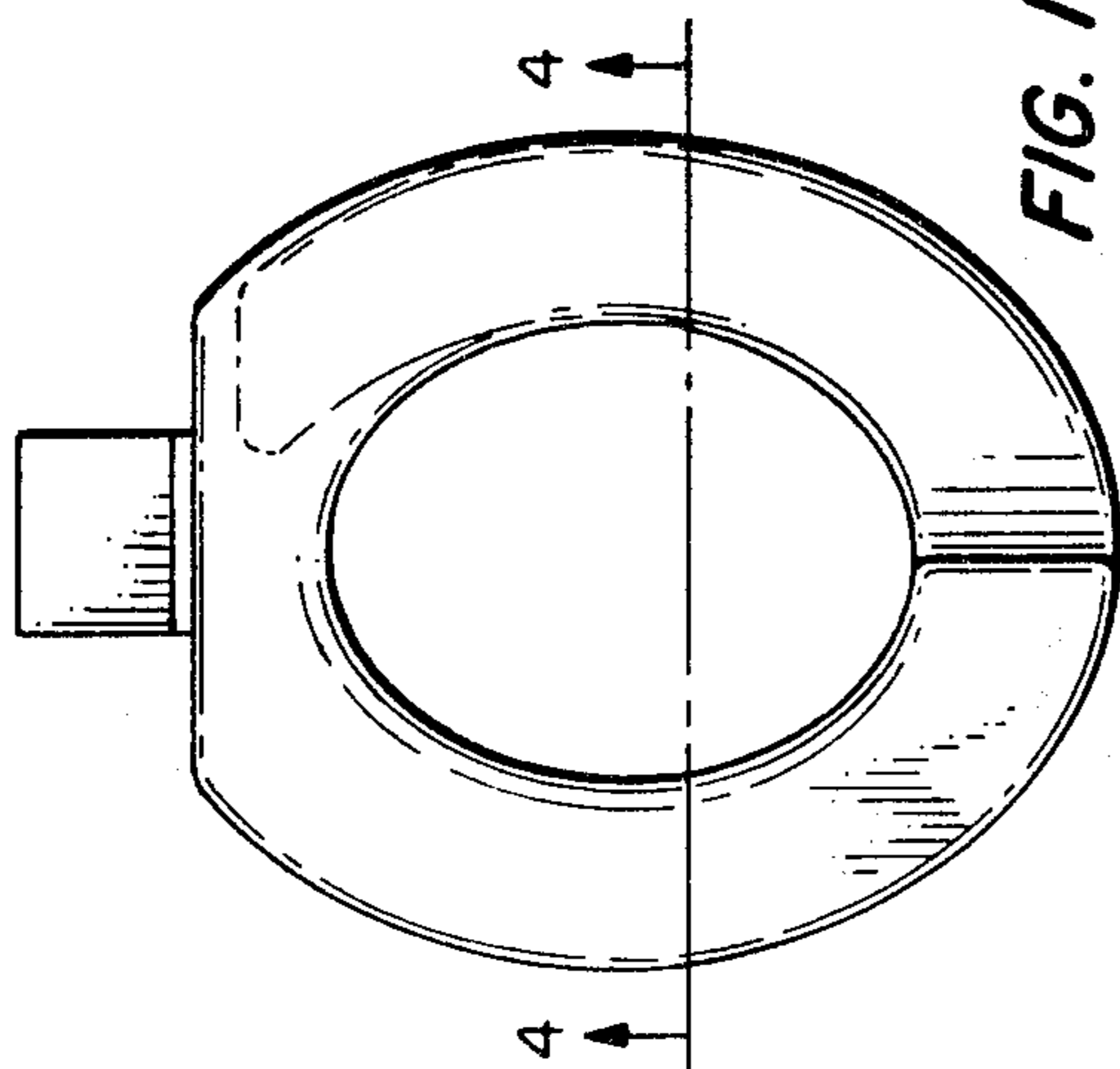


FIG. 1

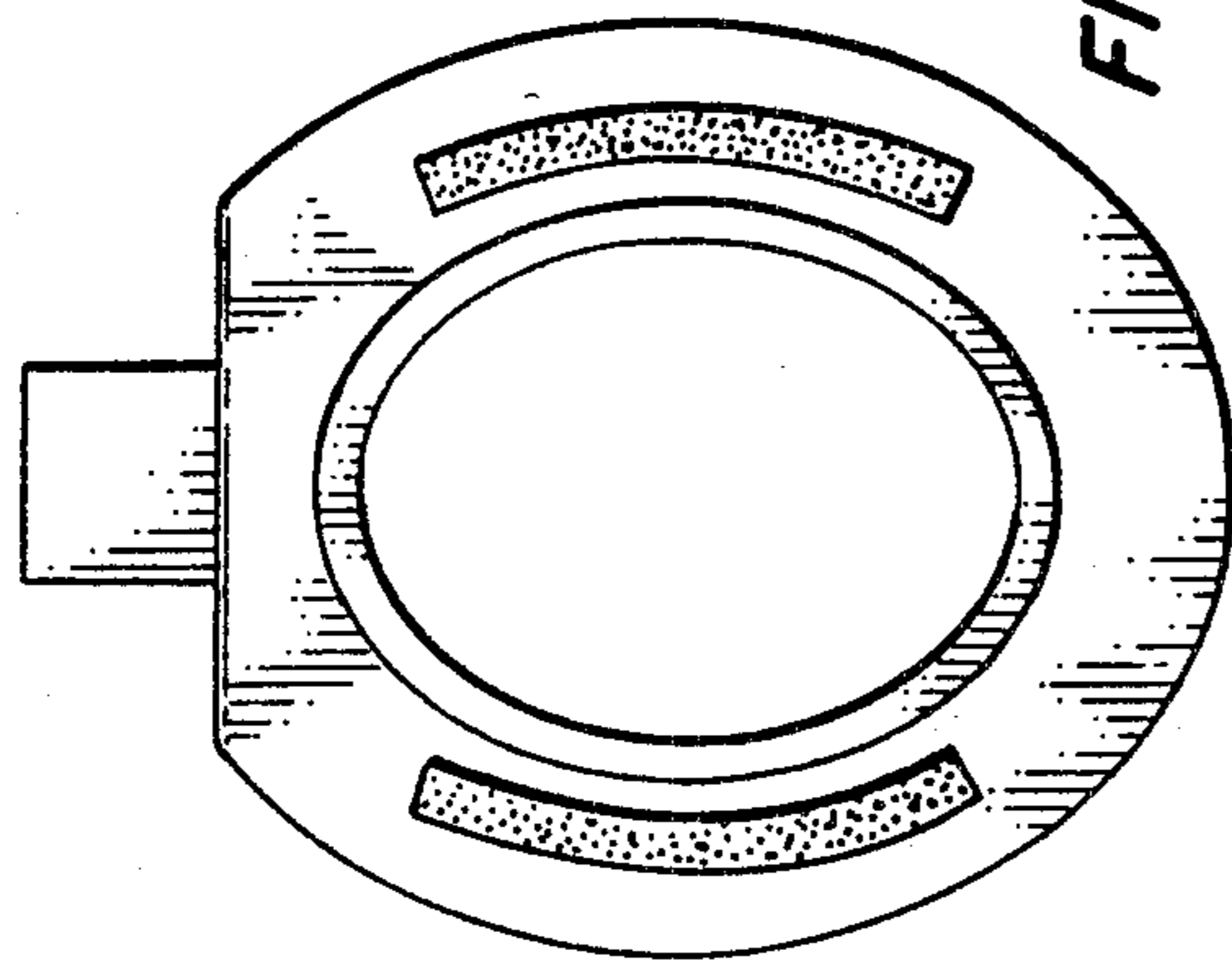


FIG. 5

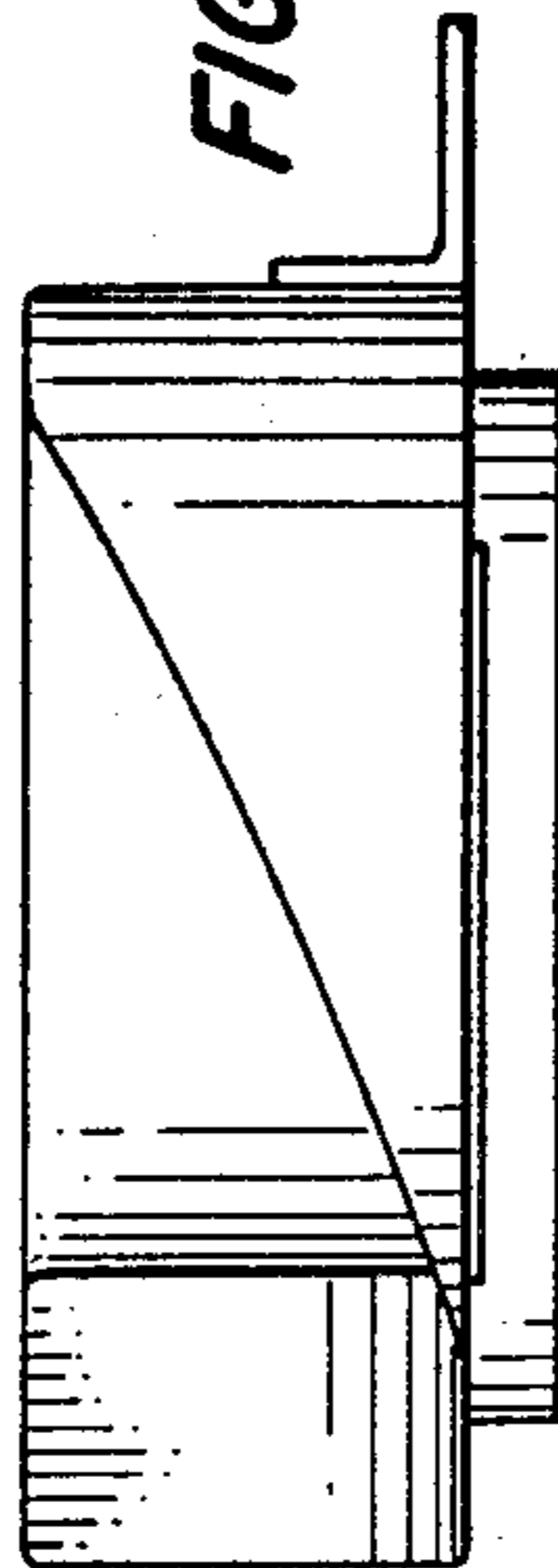


FIG. 3

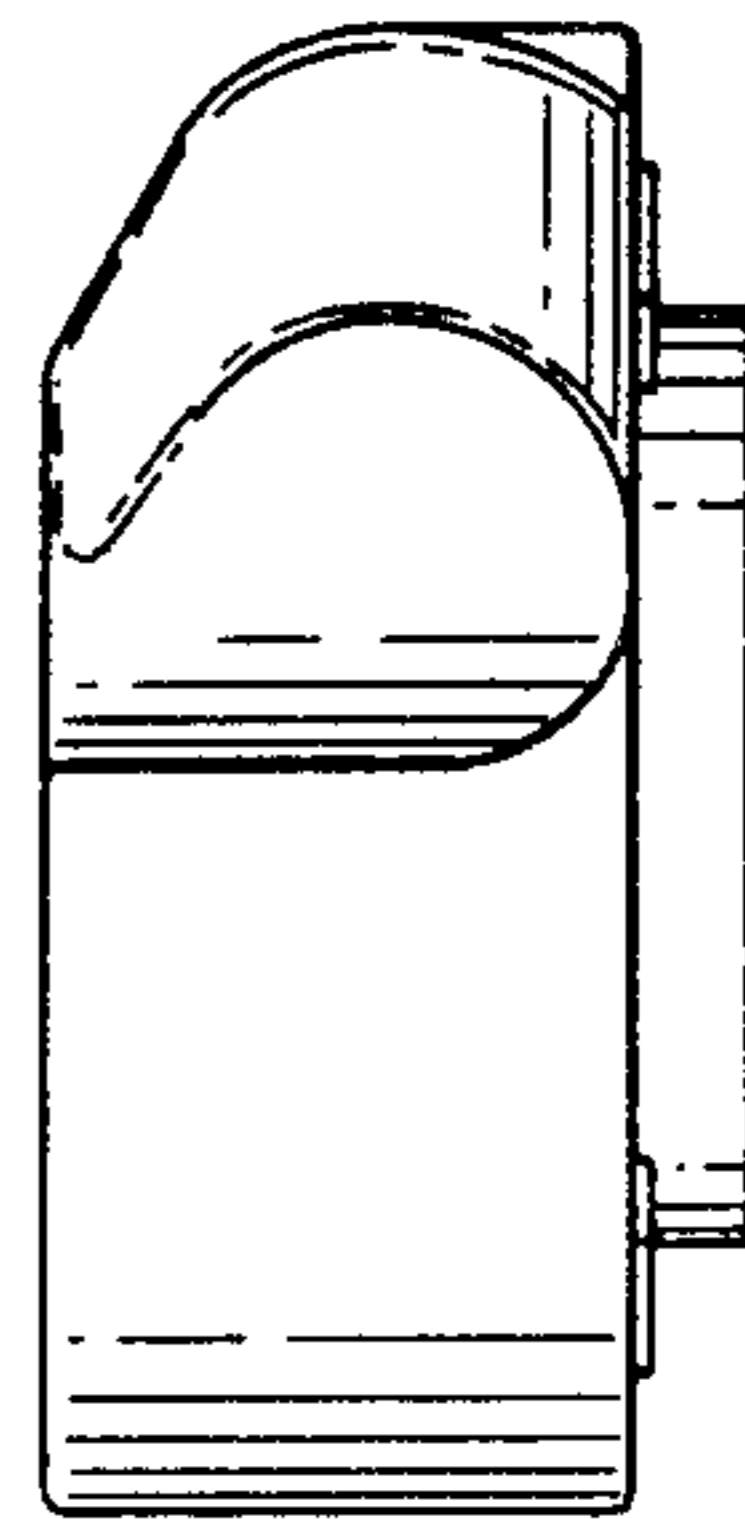


FIG. 2

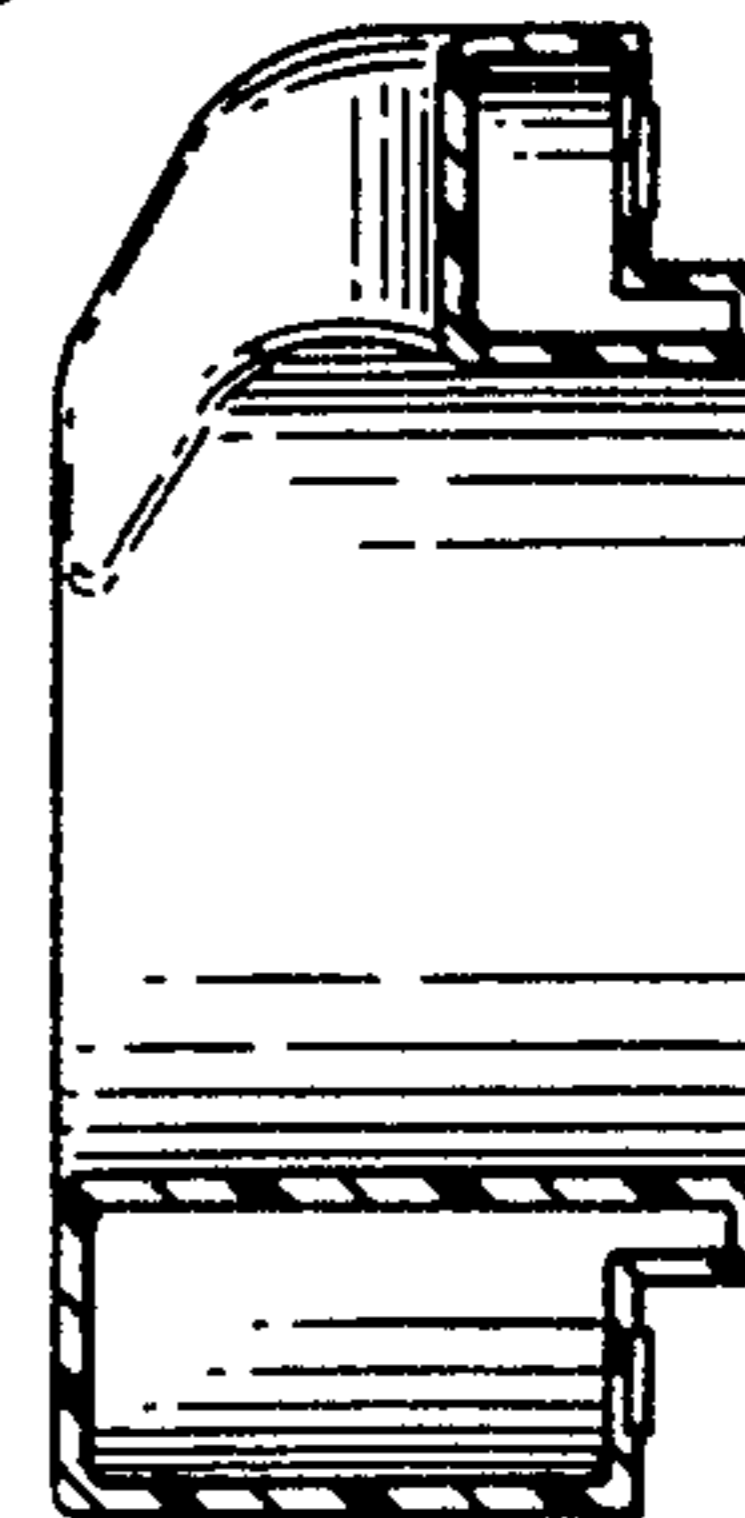


FIG. 4

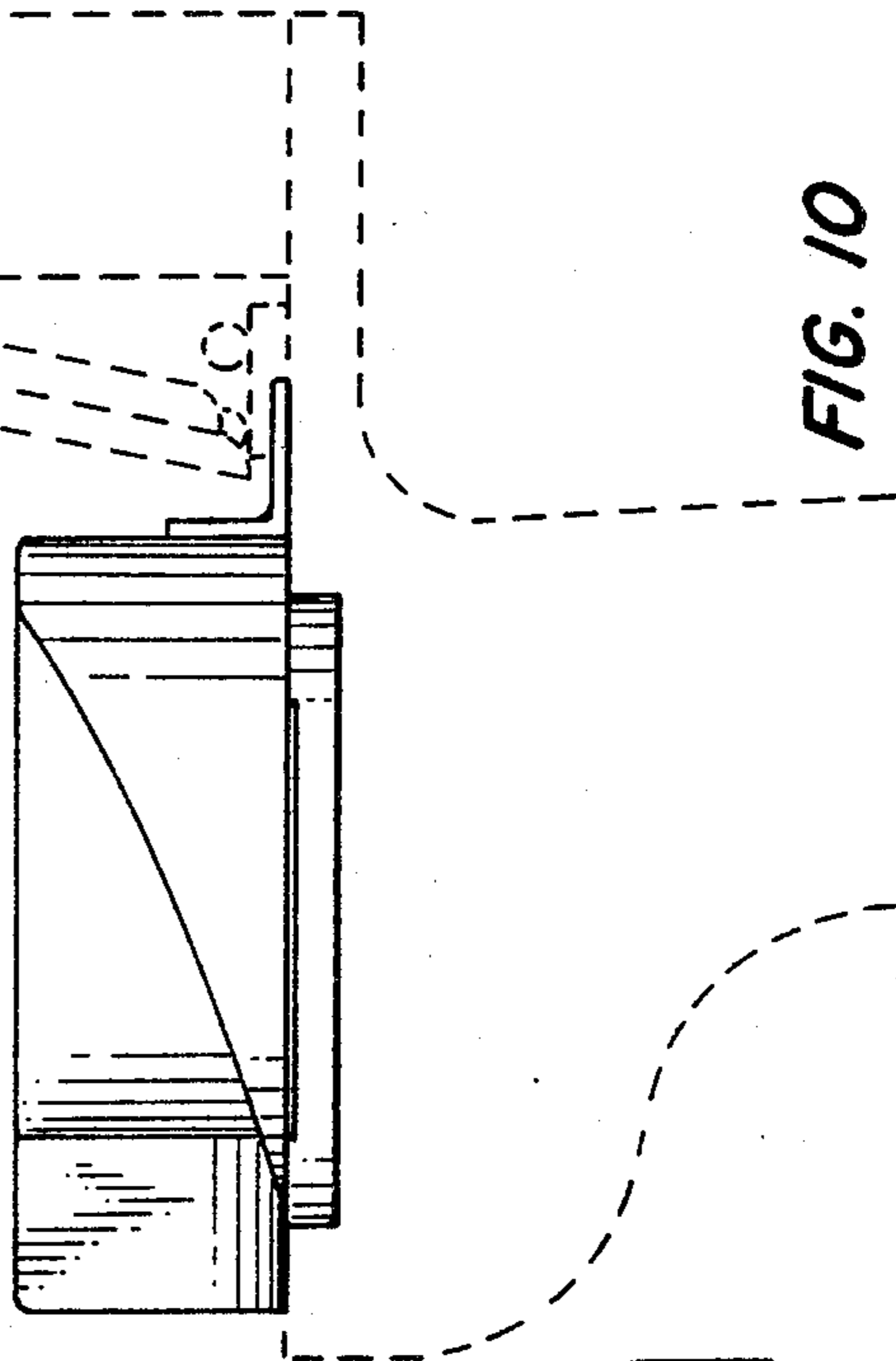


FIG. 10

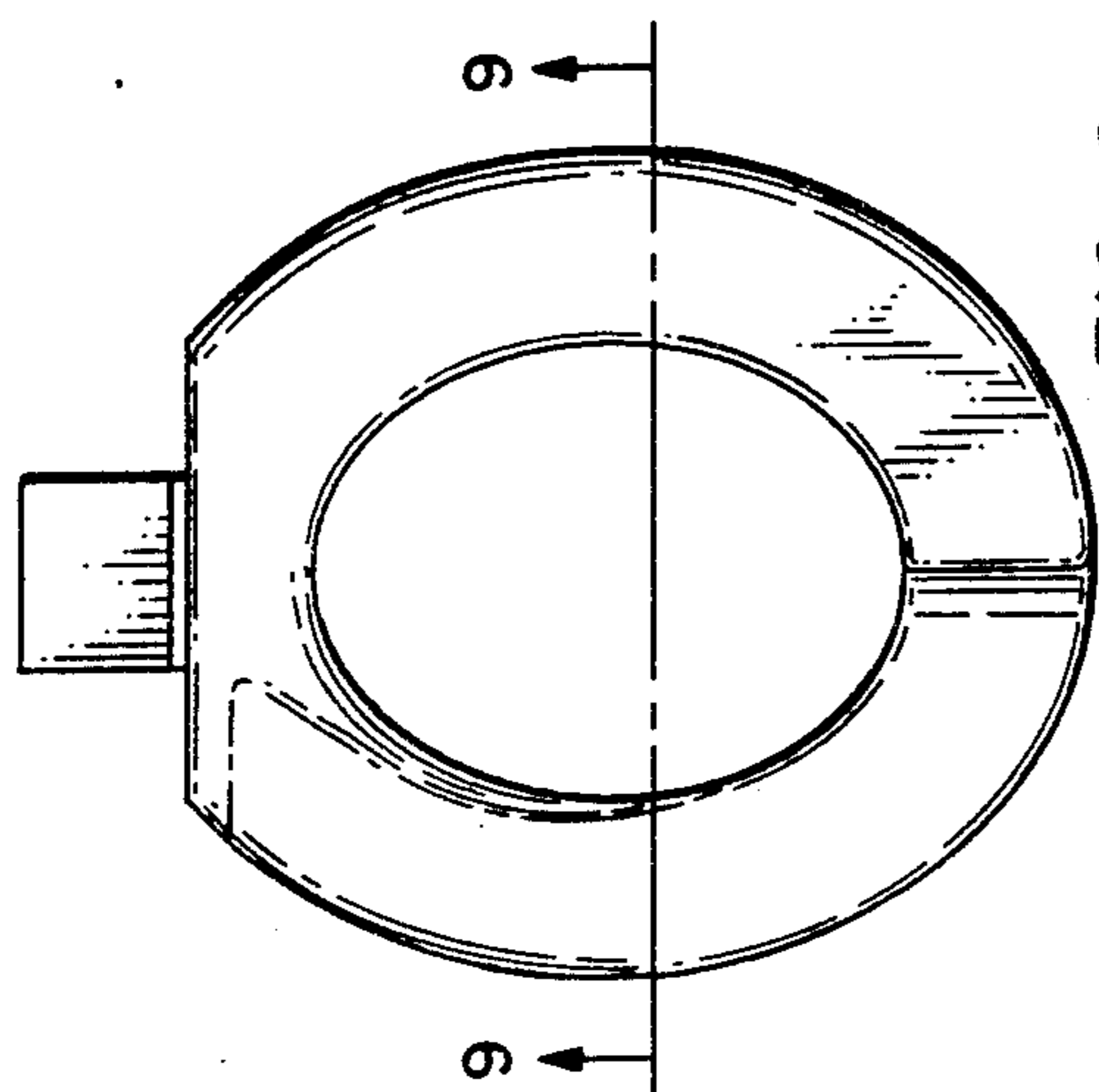


FIG. 6

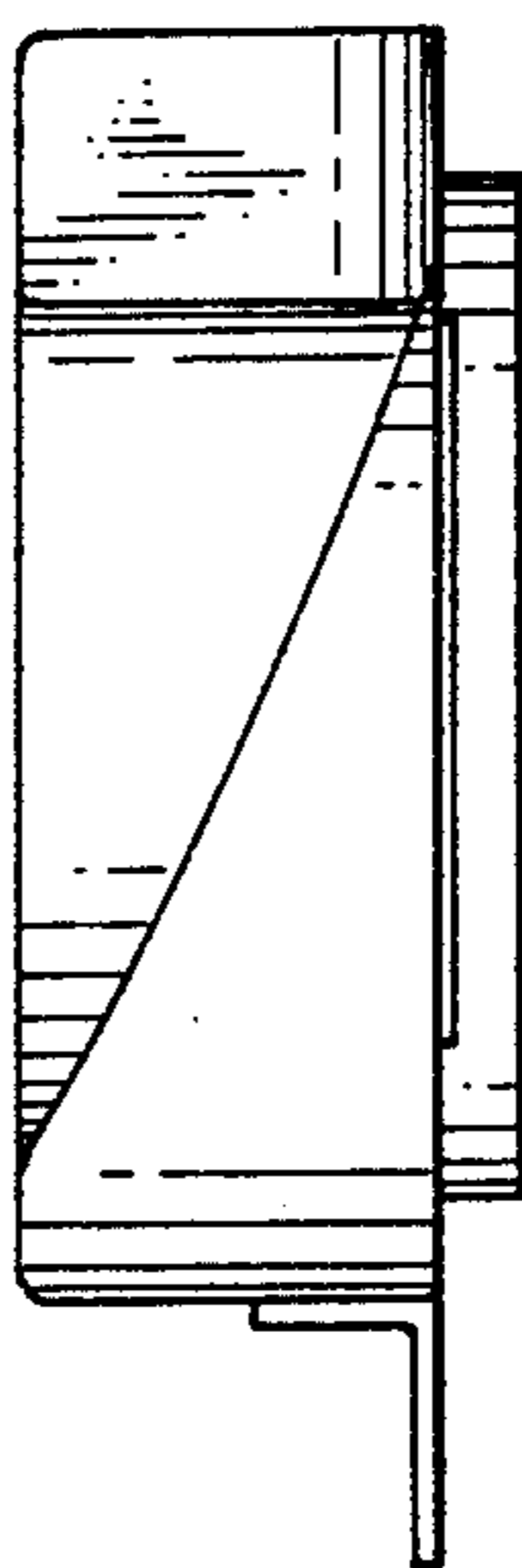


FIG. 8

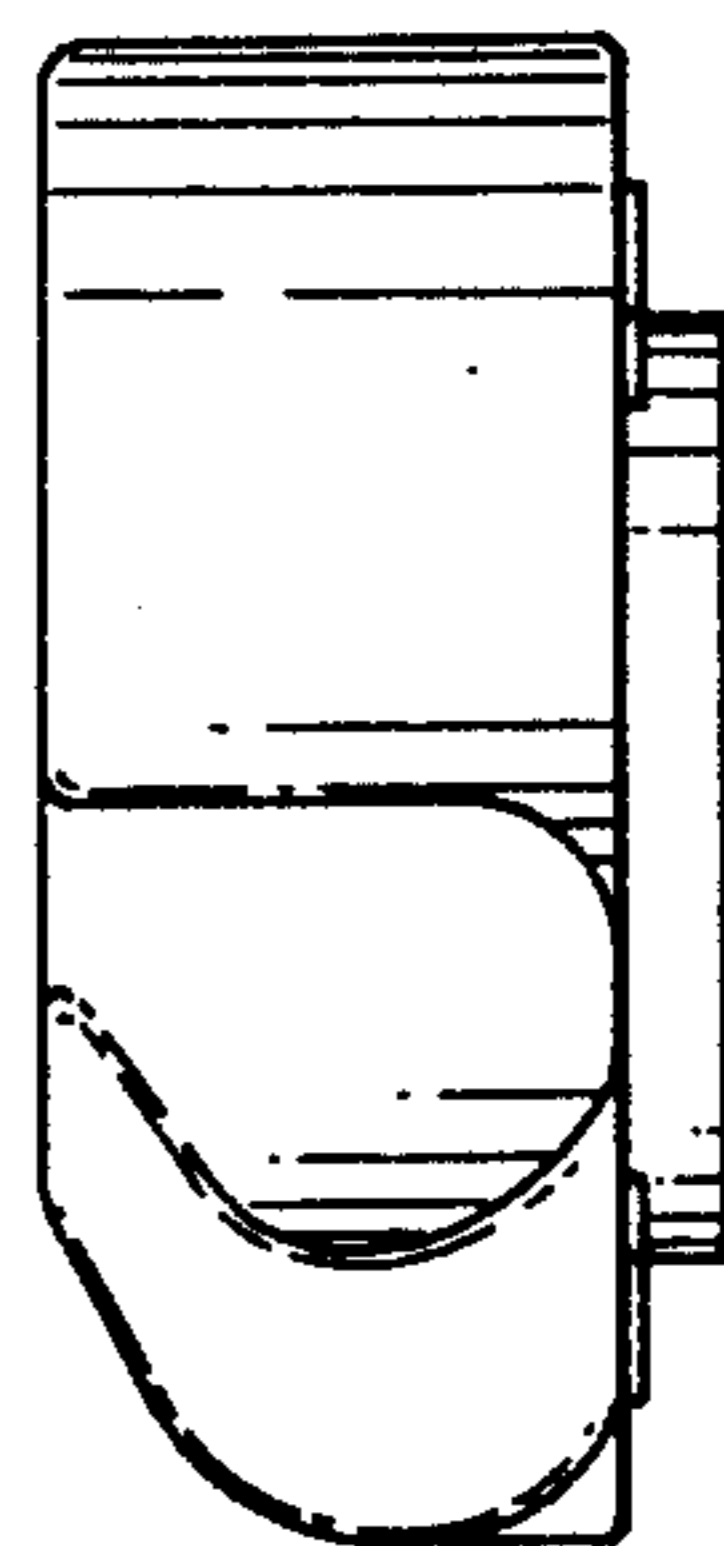


FIG. 7

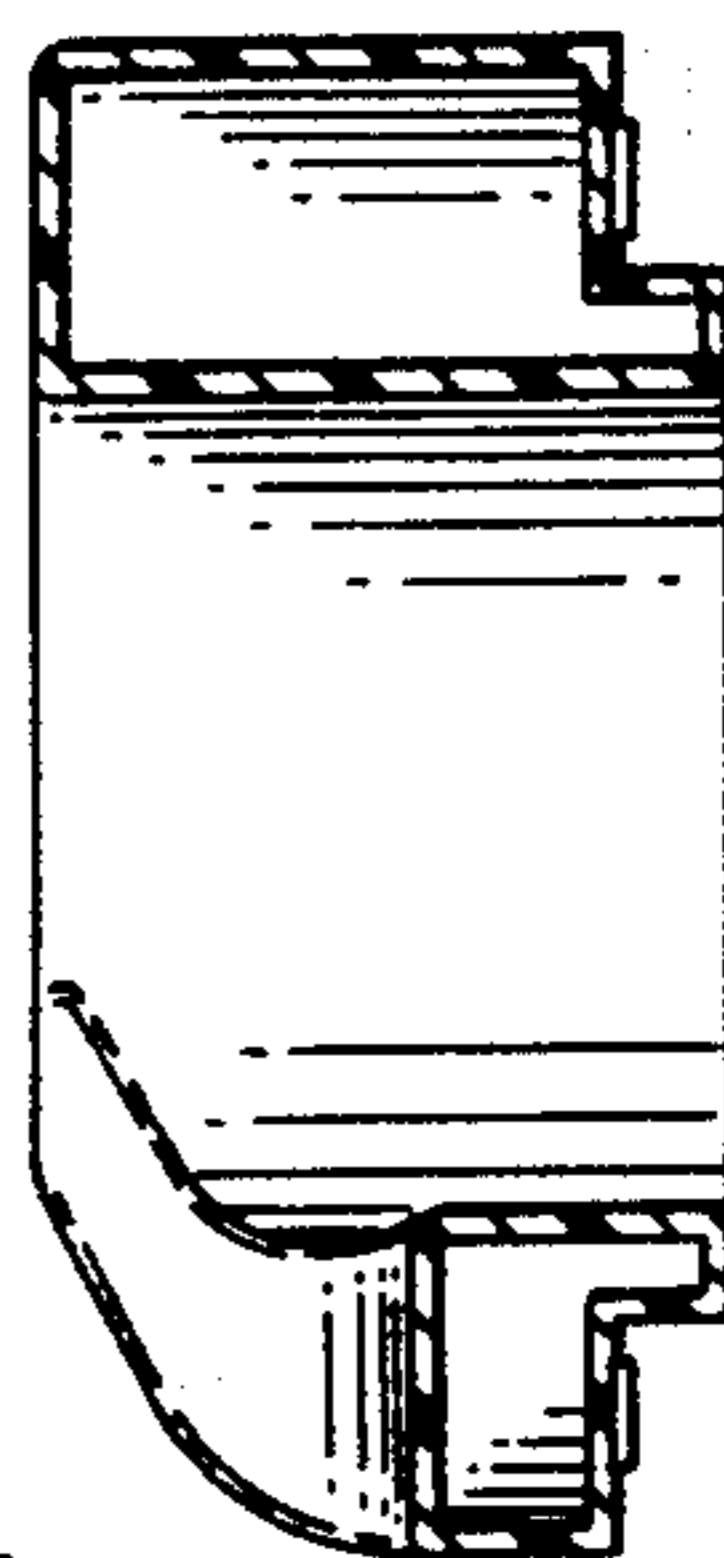


FIG. 9

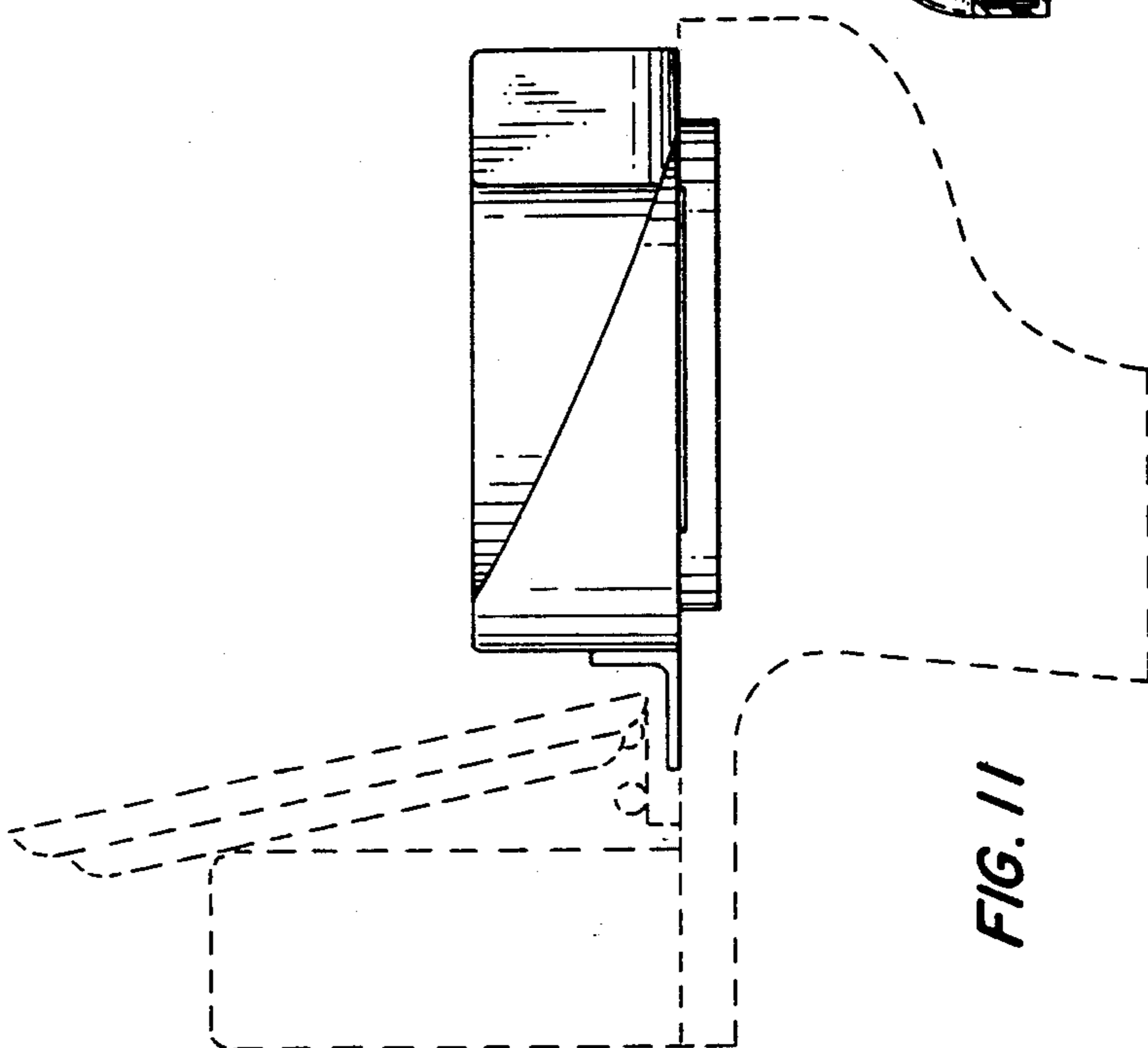


FIG. 11